



US00D611669S

(12) **United States Design Patent**  
**Benson et al.**

(10) **Patent No.:** **US D611,669 S**  
(45) **Date of Patent:** **\*\* Mar. 9, 2010**

(54) **MOP**

(75) Inventors: **Shaelyn D. Benson**, St. Paul, MN (US);  
**Lloyd S. Vasilakes**, Stillwater, MN (US);  
**Peter J. Newbould**, Milan (IT); **Ivana Babic**, Milan (IT)

(73) Assignee: **3M Innovative Properties Company**,  
St. Paul, MN (US)

(\*\*) Term: **14 Years**

(21) Appl. No.: **29/338,571**

(22) Filed: **Jun. 15, 2009**

(51) **LOC (9) Cl.** ..... **14-01**

(52) **U.S. Cl.** ..... **D32/50**

(58) **Field of Classification Search** ..... D32/35,  
D32/40, 45, 50, 51, 30; 15/143.1, 147.1,  
15/147.2, 209.1, 210.1, 228, 231, 233, 1.7;  
401/137-140, 15, 188 R, 268, 270, 278-279;  
D4/137, 115, 119; 239/532

See application file for complete search history.

(56) **References Cited**

U.S. PATENT DOCUMENTS

51,127 A \* 11/1865 Bacon ..... 15/171  
D210,997 S \* 5/1968 Maloney ..... D4/199  
D227,199 S \* 6/1973 Payne ..... D4/135

D283,176 S \* 4/1986 Lapin ..... D4/135  
D384,506 S \* 10/1997 Canni Ferrari ..... D4/100  
D406,420 S \* 3/1999 Sin ..... D32/22  
D420,774 S \* 2/2000 Schupp ..... D32/22  
D548,911 S \* 8/2007 Main et al. .... D32/50

\* cited by examiner

*Primary Examiner*—Cathron C Brooks

*Assistant Examiner*—Austin Murphy

(74) *Attorney, Agent, or Firm*—Trisha D. Adamson

(57) **CLAIM**

The ornamental design for a mop, as shown and described.

**DESCRIPTION**

FIG. 1 is a perspective view showing the new design for a mop;

FIG. 2 is a front view thereof, the rear view being a mirror image thereof;

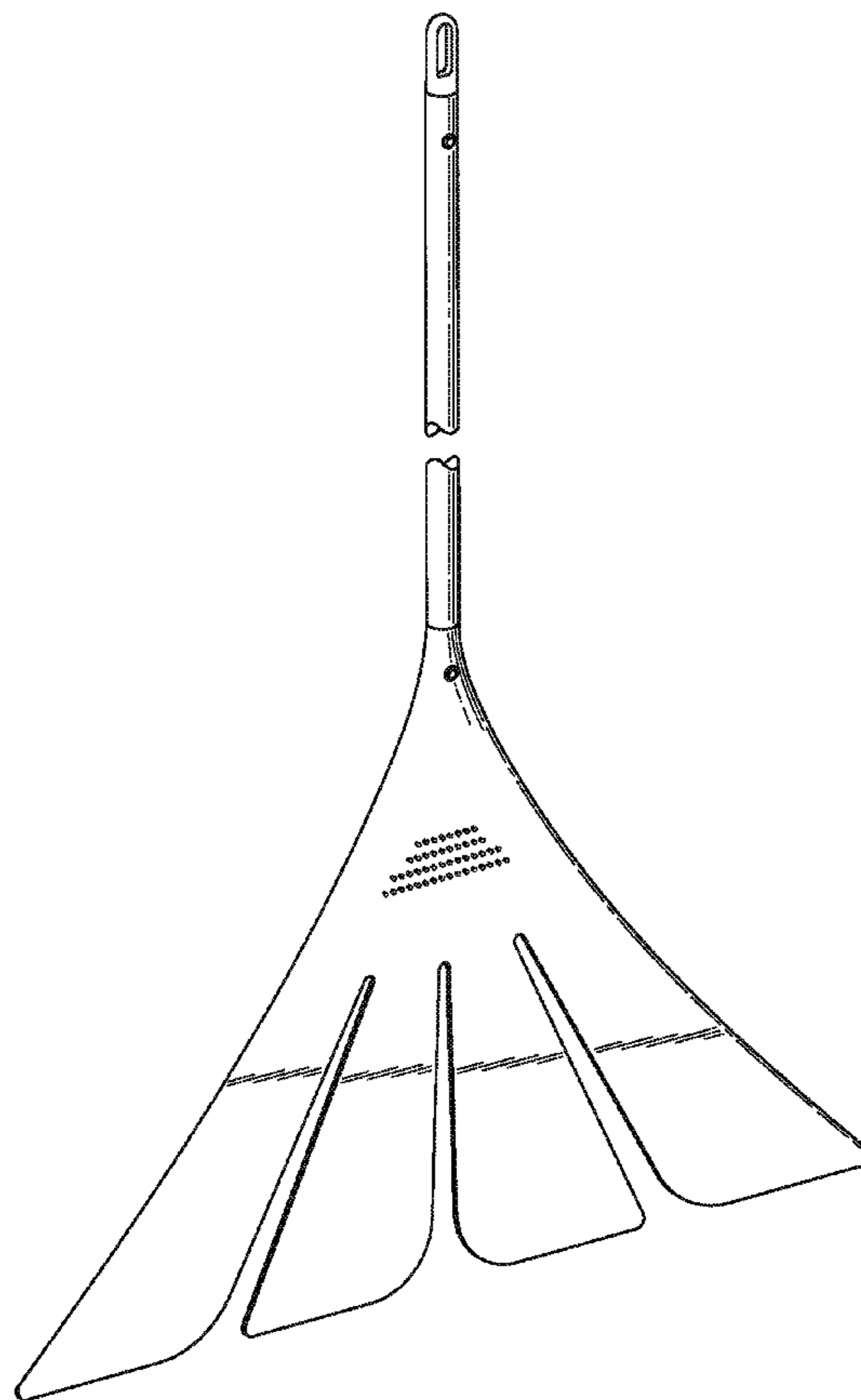
FIG. 3 is a right side view thereof, the left side view being a mirror image thereof;

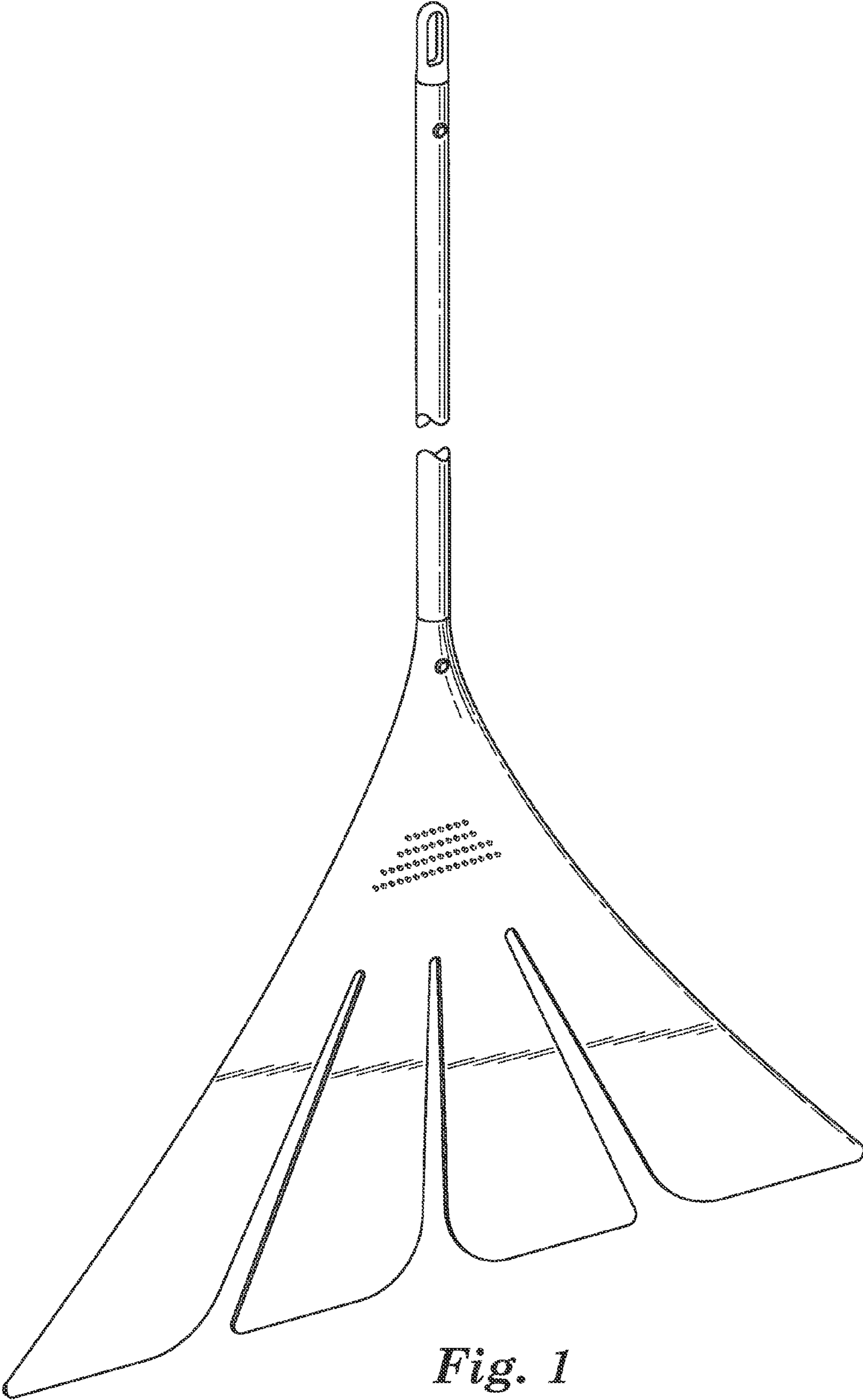
FIG. 4 is a top view thereof; and,

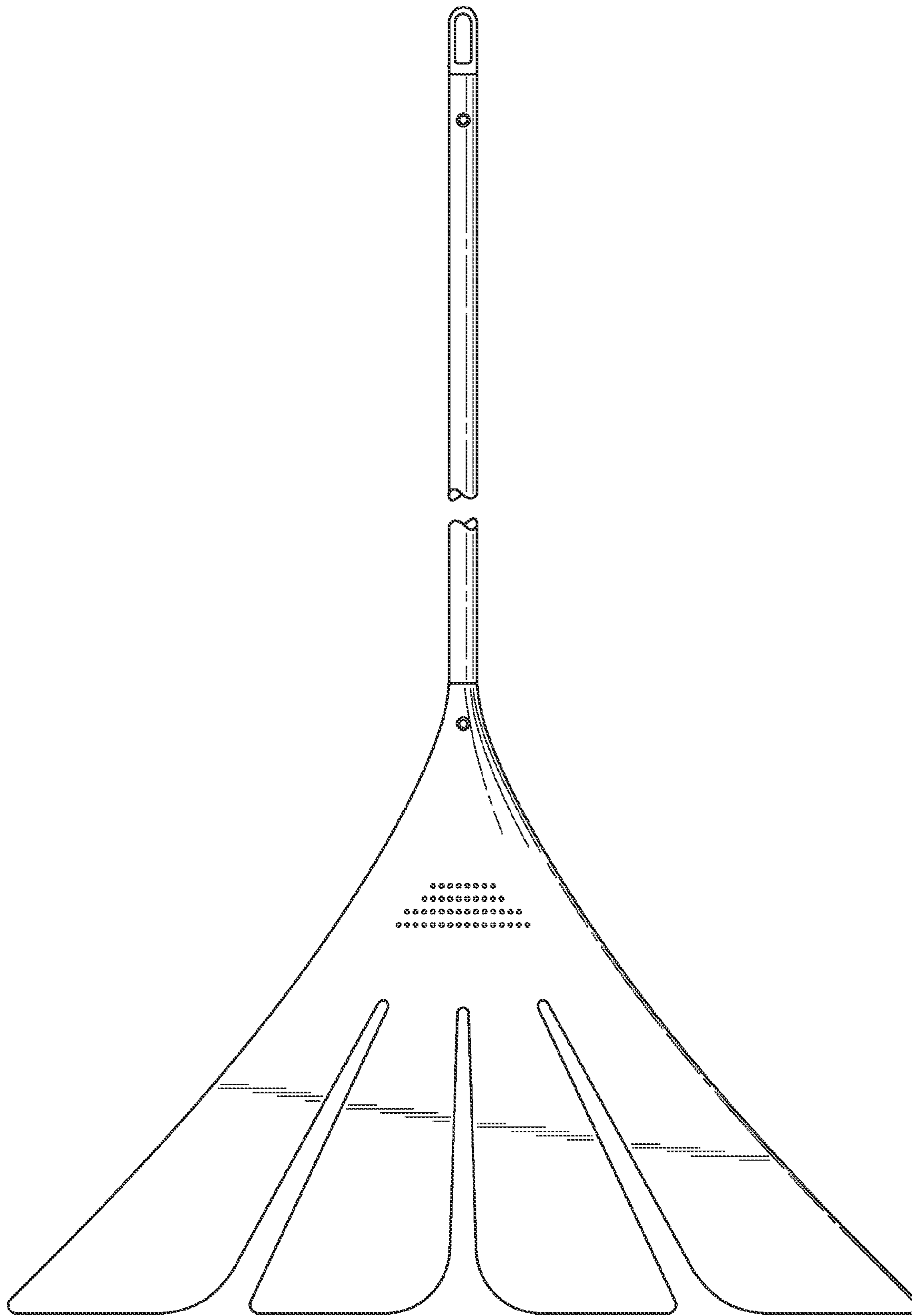
FIG. 5 is a bottom view thereof.

The broken away portions shown in FIGS. 1-3 indicate a non-specified length.

**1 Claim, 4 Drawing Sheets**







*Fig. 2*



*Fig. 3*



*Fig. 4*



*Fig. 5*