



US00D611666S

(12) **United States Design Patent**  
**Umeda**

(10) **Patent No.:** **US D611,666 S**  
(45) **Date of Patent:** **\*\* Mar. 9, 2010**

(54) **VACUUM CLEANER HANDLE**

(75) Inventor: **Masakazu Umeda**, Hyogo (JP)

(73) Assignee: **Panasonic Corporation**, Osaka (JP)

(\*\*) Term: **14 Years**

(21) Appl. No.: **29/331,721**

(22) Filed: **Jan. 30, 2009**

(51) **LOC (9) Cl.** ..... **15-05**

(52) **U.S. Cl.** ..... **D32/31**

(58) **Field of Classification Search** ..... D32/18,  
D32/21, 22, 31, 34; 15/329, 344, 410-411,  
15/327.1, 414, 350, 353, 323; 16/110.1;  
285/7, 38

See application file for complete search history.

(56) **References Cited**

**U.S. PATENT DOCUMENTS**

D209,810 S *	1/1968	Bowers, Jr.	.....	D32/34
D215,490 S *	10/1969	Descarries	.....	D32/34
D237,036 S *	10/1975	Neceda	.....	D32/31
D315,043 S *	2/1991	Hayden	.....	D32/34
D333,023 S *	2/1993	Herron, Jr.	.....	D32/34
D334,447 S *	3/1993	Rohn	.....	D32/34
D364,014 S *	11/1995	Langeland et al.	.....	D32/34
D374,318 S *	10/1996	Meelen	.....	D32/34
D381,479 S *	7/1997	Worwag	.....	D32/22
D406,422 S *	3/1999	Burchard et al.	.....	D32/34
D420,477 S *	2/2000	Saunders et al.	.....	D32/34
D431,335 S *	9/2000	Mehaffey et al.	.....	D32/34
D485,030 S *	1/2004	Svaldi	.....	D32/34
D488,271 S *	4/2004	Schroter	.....	D32/31
D494,332 S	8/2004	Schröter		
D522,199 S *	5/2006	Cunningham et al.	.....	D32/34
D543,325 S *	5/2007	Burnham	.....	D32/34

D561,415 S *	2/2008	Tavano	.....	D32/34
D562,512 S *	2/2008	Yoon	.....	D32/34
D565,819 S *	4/2008	Renner	.....	D32/34
D566,359 S *	4/2008	Houghton	.....	D32/34
D580,116 S *	11/2008	Santiago et al.	.....	D32/34
D581,613 S *	11/2008	Kim	.....	D32/34
D586,054 S *	2/2009	Yoon	.....	D32/34
2008/0301903 A1 *	12/2008	Cunningham et al.	.....	15/410
2009/0031526 A1 *	2/2009	Linhart et al.	.....	15/410
2009/0205163 A1 *	8/2009	Linhart et al.	.....	15/410

**FOREIGN PATENT DOCUMENTS**

CN 3536296 6/2006

\* cited by examiner

*Primary Examiner*—Ruth McInroy

(74) *Attorney, Agent, or Firm*—Brinks Hofer Gilson & Lione

(57) **CLAIM**

I claim the ornamental design for a vacuum cleaner handle, as shown and described.

**DESCRIPTION**

FIG. 1 is a side perspective view of a vacuum cleaner handle of the present invention;

FIG. 2 is a front elevation view thereof;

FIG. 3 is a rear elevation view thereof;

FIG. 4 is a top view thereof;

FIG. 5 is a bottom view thereof;

FIG. 6 is a first side view thereof, the second side view being a mirror image thereof; and,

FIG. 7 is a cross-section view taken along the line 7-7 of FIG. 5.

**1 Claim, 7 Drawing Sheets**

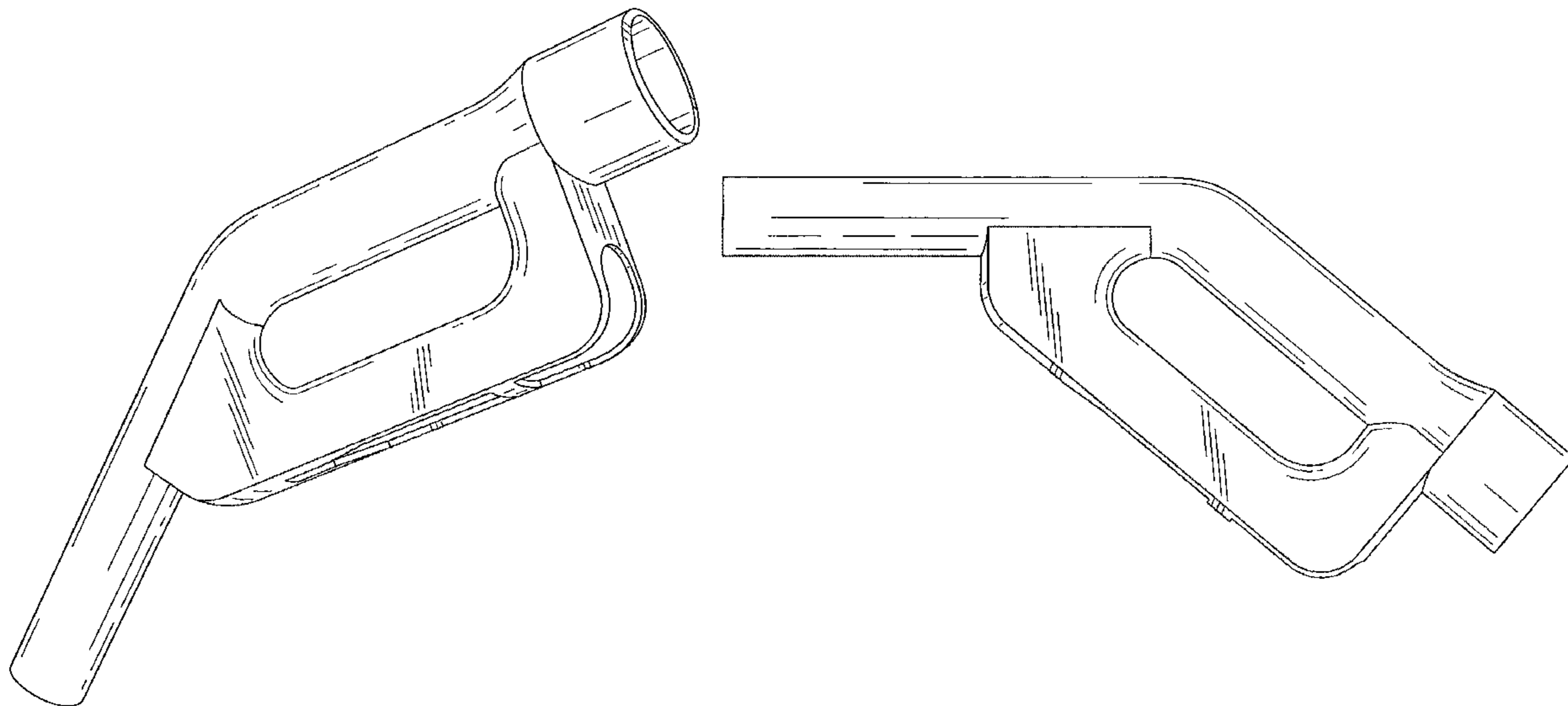
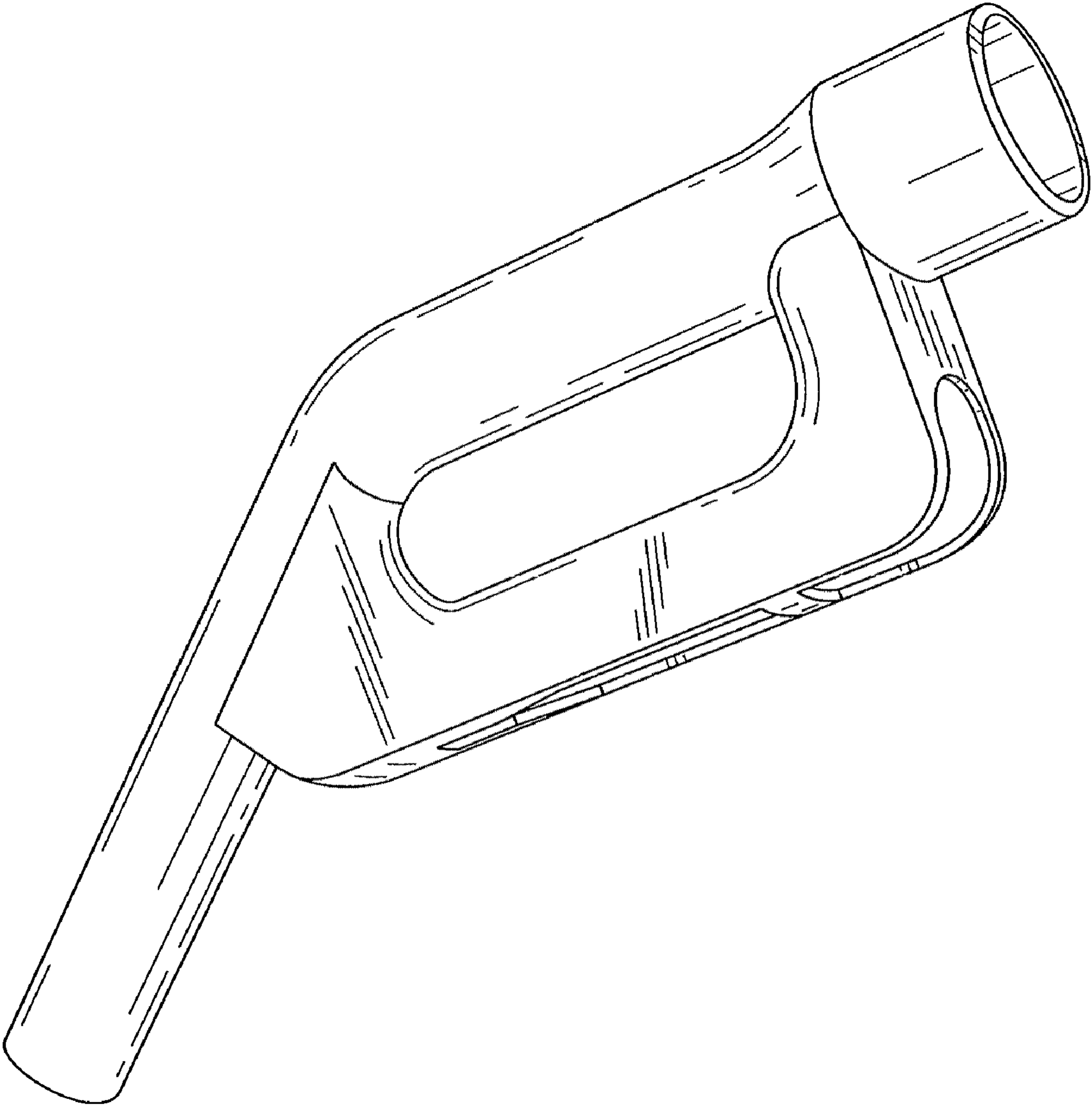
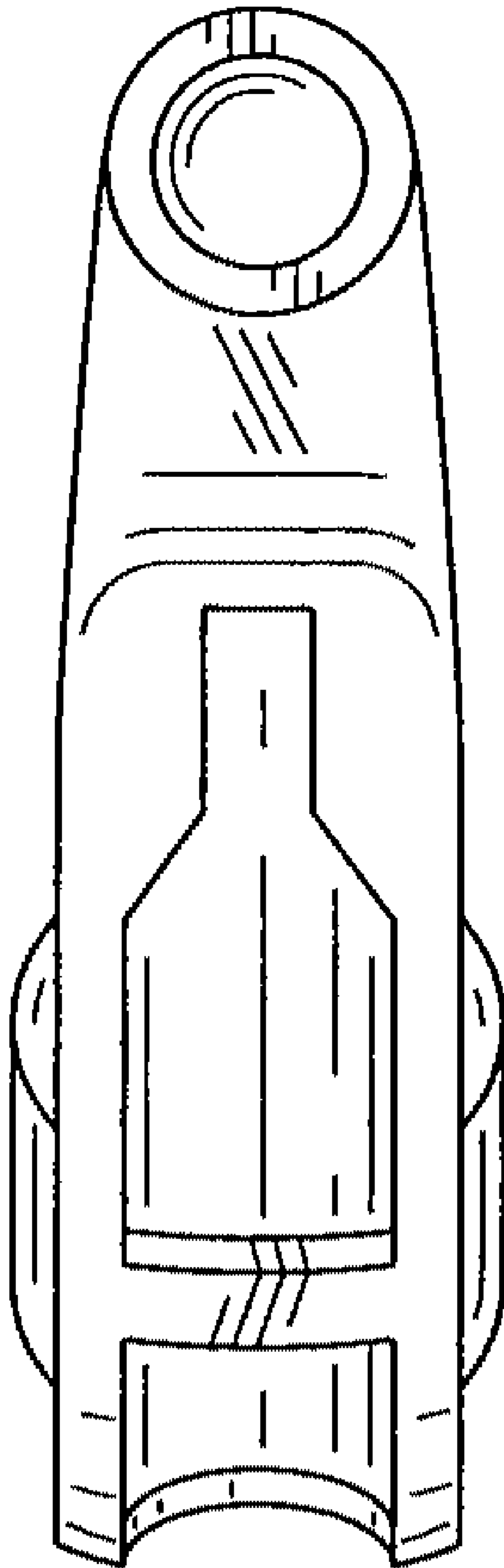


FIG. 1



# FIG. 2



# FIG. 3

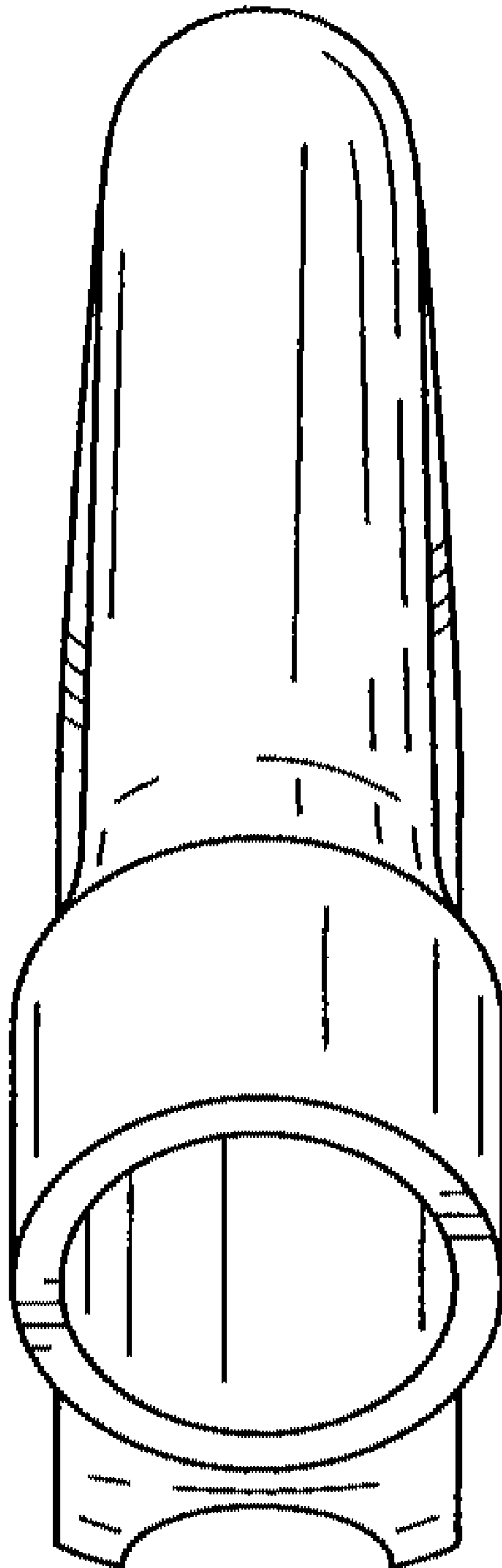


FIG. 4

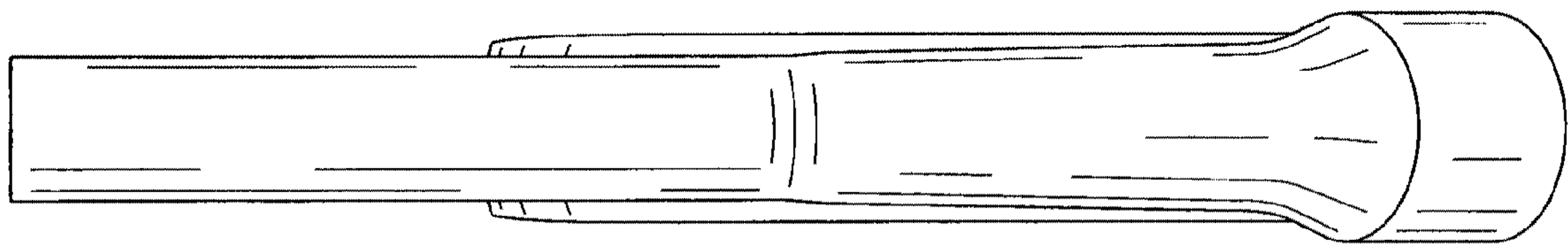


FIG. 5

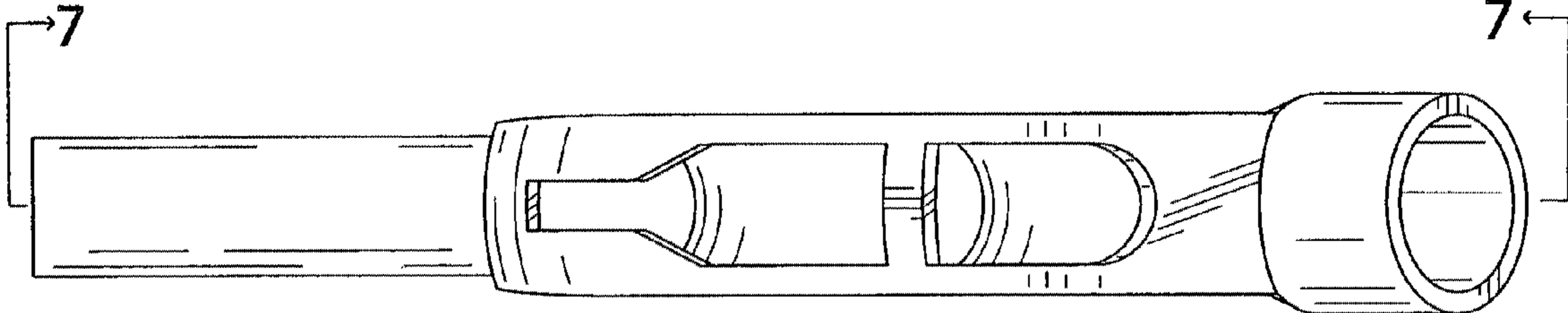


FIG. 6

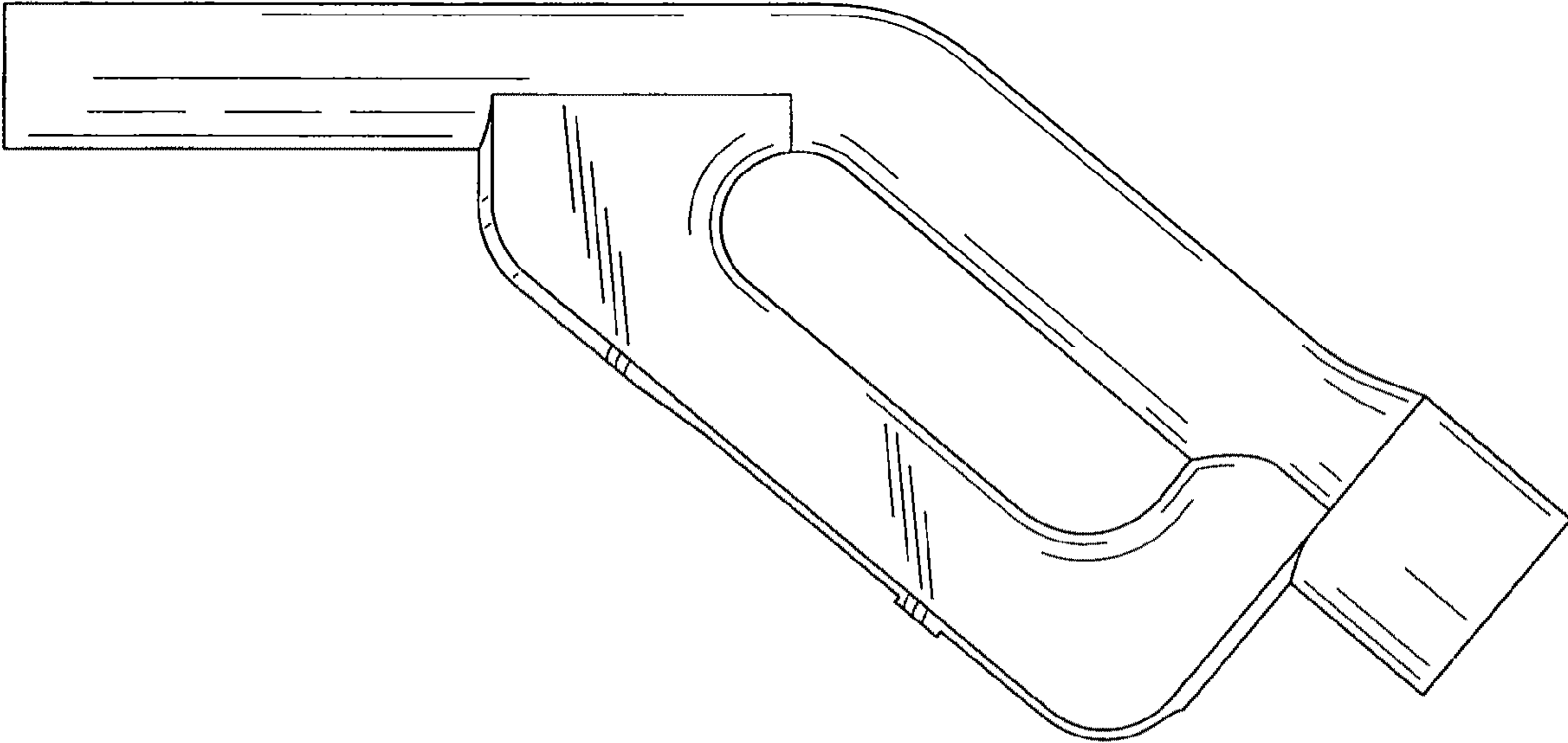


FIG. 7

