



US00D611664S

(12) **United States Design Patent**
Sebor

(10) **Patent No.:** **US D611,664 S**
(45) **Date of Patent:** **** Mar. 9, 2010**

(54) **SWIMMING POOL CLEANING APPARATUS**
(76) Inventor: **Pavel Sebor**, 751 Cricklewood Ter.,
Heathrow, FL (US) 32746
(**) Term: **14 Years**
(21) Appl. No.: **29/284,089**
(22) Filed: **Aug. 30, 2007**
(51) **LOC (9) Cl.** **15-05**
(52) **U.S. Cl.** **D32/15**
(58) **Field of Classification Search** D32/1,
D32/15, 21, 25, 31-33; 15/1.7, 404, 420,
15/426; 210/169, 416.2, 460; 55/373; 180/116,
180/119-120; 137/494; 134/167 R
See application file for complete search history.

(56) **References Cited**

U.S. PATENT DOCUMENTS

3,008,160 A * 11/1961 West 15/1.7
(Continued)

FOREIGN PATENT DOCUMENTS

GB 2005993 5/1979
(Continued)

OTHER PUBLICATIONS

http://www.plastixportal.co.za/images/poolmaid_automatic_pool_cleaner.jpg Apr. 7, 2008.*

Primary Examiner—T. Chase Nelson
Assistant Examiner—Kathleen M Sims

(74) *Attorney, Agent, or Firm*—Allen, Dyer, Doppelt,
Milbrath & Gilchrist, P.A.

(57) **CLAIM**

The ornamental design for a swimming pool cleaning apparatus, as shown and described.

DESCRIPTION

FIG. 1 is a left rear perspective view of a swimming pool cleaning apparatus showing my new design;

FIG. 2 is a left side elevation view thereof, the right side elevation view being a mirror image;

FIG. 3 is a rear elevation view thereof;

FIG. 4 is a front elevation view thereof;

FIG. 5 is a top plan view thereof;

FIG. 6 is a bottom plan view thereof;

FIG. 7 is a left rear perspective view of a second embodiment of the swimming pool cleaning apparatus showing my new design;

FIG. 8 is a left side elevation view thereof, the right side elevation view being a mirror image;

FIG. 9 is a rear elevation view thereof;

FIG. 10 is a front elevation view thereof;

FIG. 11 is a top plan view thereof; and

FIG. 12 is a bottom plan view thereof;

FIG. 13 is a left rear perspective view of a third embodiment of the swimming pool cleaning apparatus;

FIG. 14 is a left side elevation view thereof, the right side elevation view being a mirror image;

FIG. 15 is a rear elevation view thereof;

FIG. 16 is a front elevation view thereof;

FIG. 17 is a top plan view thereof;

FIG. 18 is a bottom plan view thereof;

FIG. 19 is a left rear perspective view of a fourth embodiment of the swimming pool cleaning apparatus;

FIG. 20 is a left side elevation view thereof, the right side elevation view being a mirror image;

FIG. 21 is a rear elevation view thereof;

FIG. 22 is a front elevation view thereof;

FIG. 23 is a top plan view thereof;

FIG. 24 is a bottom plan view thereof;

FIG. 25 is a left rear perspective view of a fifth embodiment of the swimming pool cleaning apparatus;

FIG. 26 is a left side elevation view thereof, the right side elevation view being a mirror image;

FIG. 27 is a rear elevation view thereof;

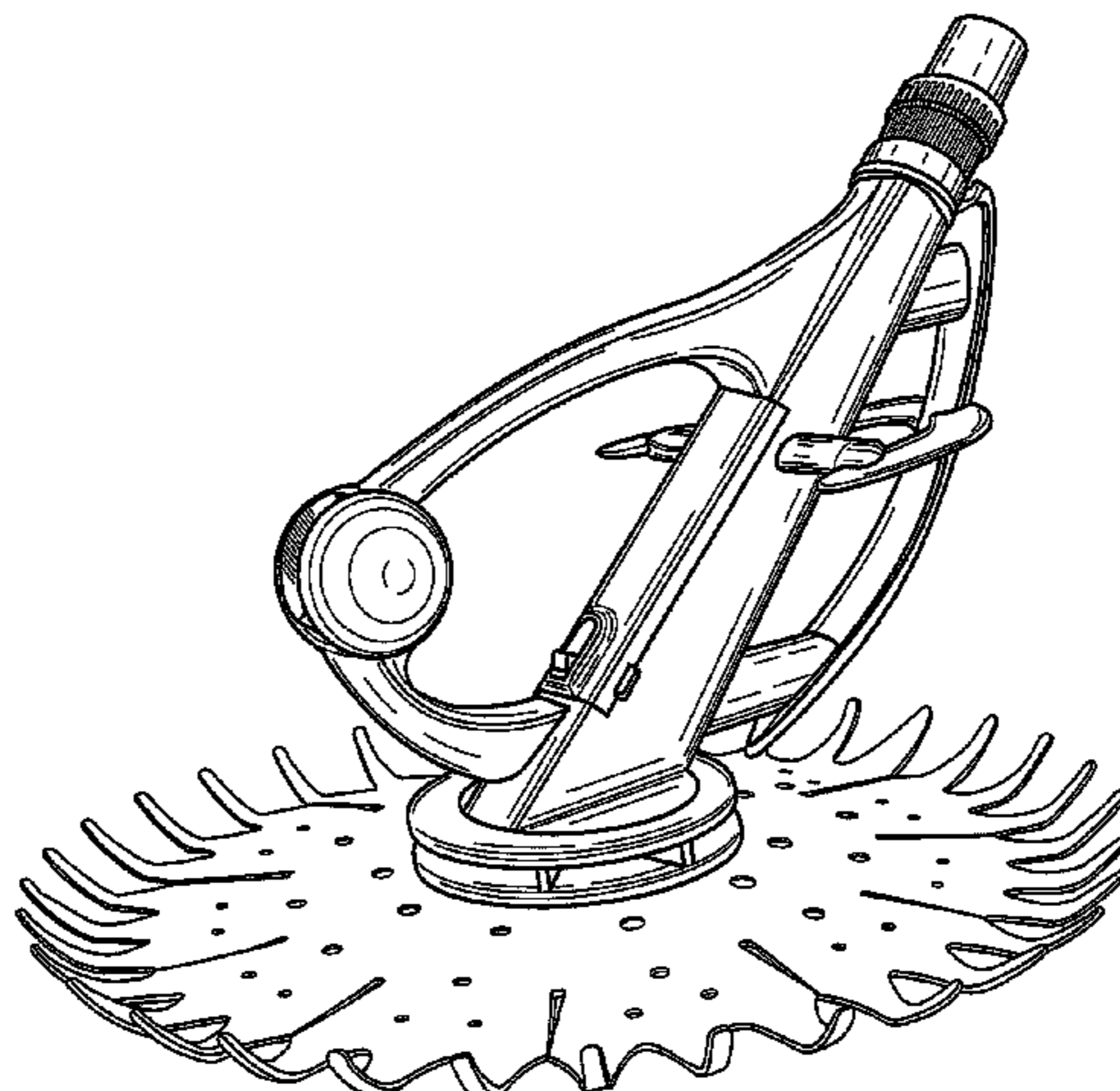
FIG. 28 is a front elevation view thereof;

FIG. 29 is a top plan view thereof; and

FIG. 30 is a bottom plan view thereof.

The broken lines showing in the attached drawings are for illustrative purposes only and form no part of the claimed design.

1 Claim, 30 Drawing Sheets



US D611,664 S

Page 2

U.S. PATENT DOCUMENTS

3,172,415	A *	3/1965	Maushund	134/93	6,112,354	A *	9/2000	Stoltz et al.	15/1.7
4,156,948	A *	6/1979	Chauvier et al.	15/1.7	D436,700	S *	1/2001	Forbes et al.	D32/25
4,193,156	A	3/1980	Chauvier			6,751,822	B2 *	6/2004	Phillipson et al.	15/1.7
4,208,752	A	6/1980	Hofmann			D498,028	S *	11/2004	Alsrue et al.	D32/25
4,351,077	A	9/1982	Hofmann			D498,889	S *	11/2004	Alsrue et al.	D32/25
4,807,318	A	2/1989	Kallenbach			6,966,092	B2	11/2005	Sebor		
4,817,225	A	4/1989	Stoltz			6,979,400	B2 *	12/2005	Bauckman et al.	210/167.1
5,014,382	A	5/1991	Kallenbach			7,159,263	B2	1/2007	Sebor		
5,033,148	A	7/1991	Chauvier et al.			2002/0166185	A1 *	11/2002	Balint	15/1.7
D358,235	S *	5/1995	Brooks et al.	D32/1	2007/0136962	A1	6/2007	Sebor		
5,421,054	A	6/1995	Dawson et al.								
5,450,645	A *	9/1995	Atkins	15/1.7						
5,465,443	A	11/1995	Rice et al.								
5,469,596	A	11/1995	Rief et al.								

FOREIGN PATENT DOCUMENTS

GB	2153209	8/1985
WO	2004007872	1/2004

* cited by examiner

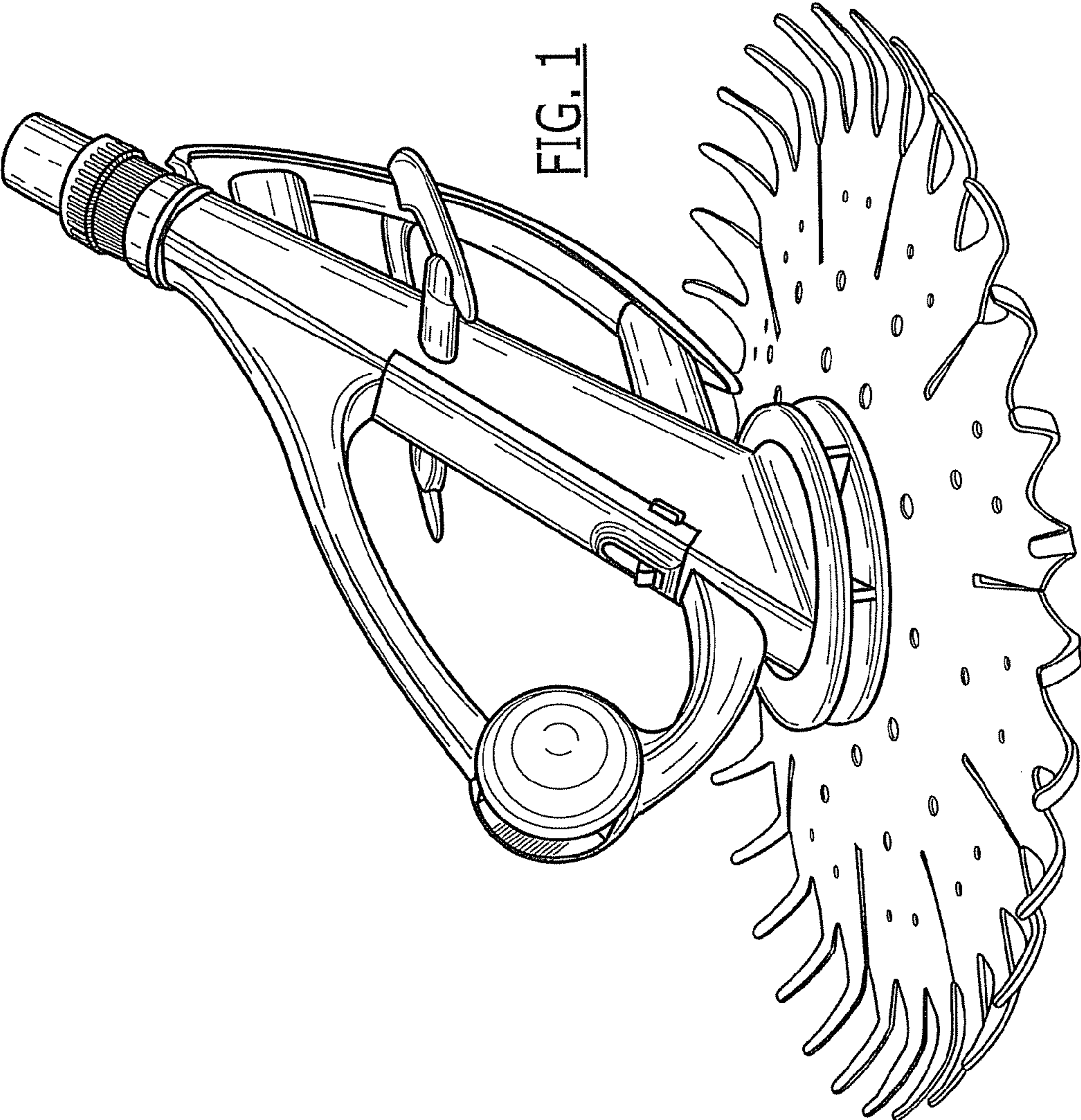


FIG. 1

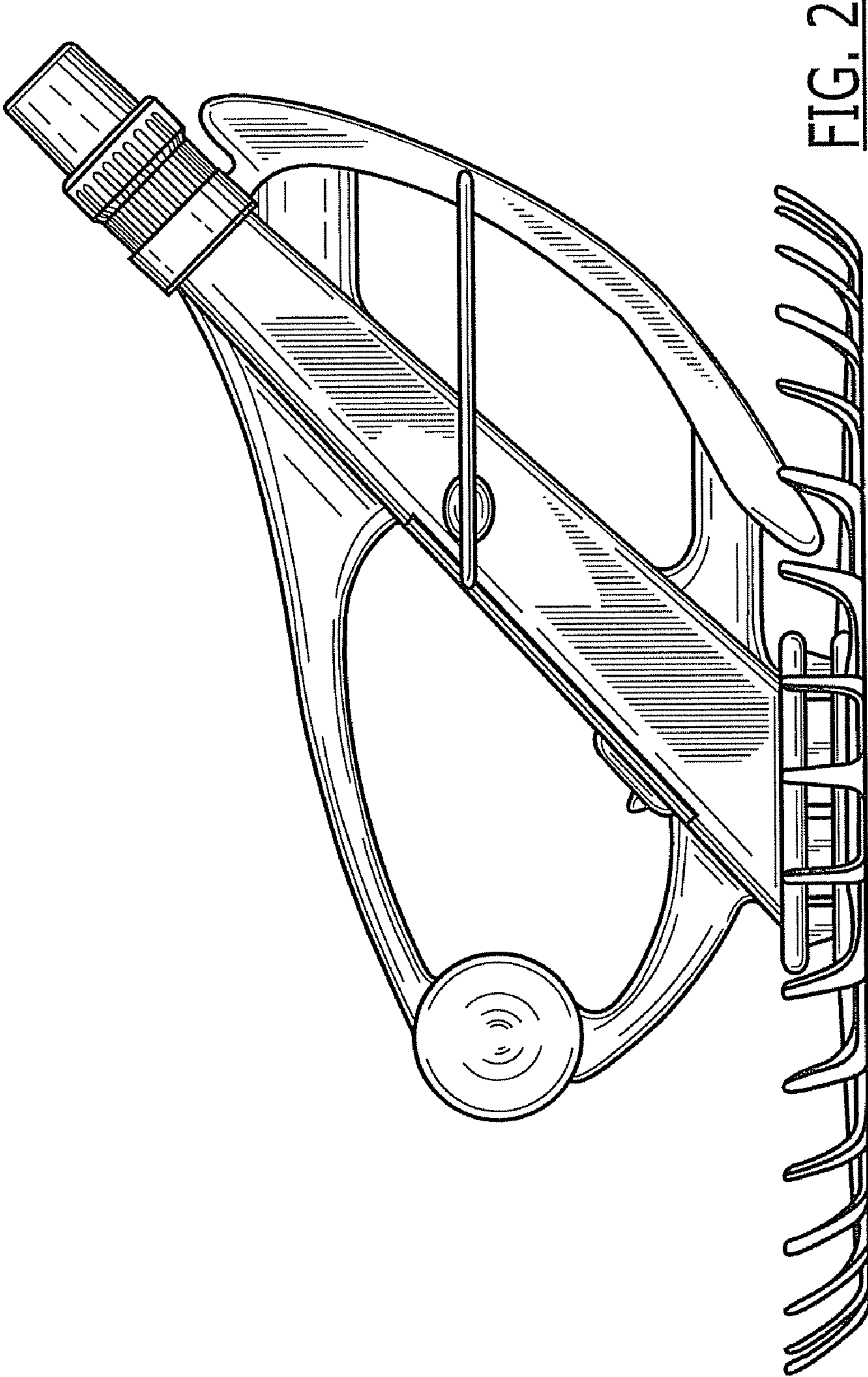


FIG. 2

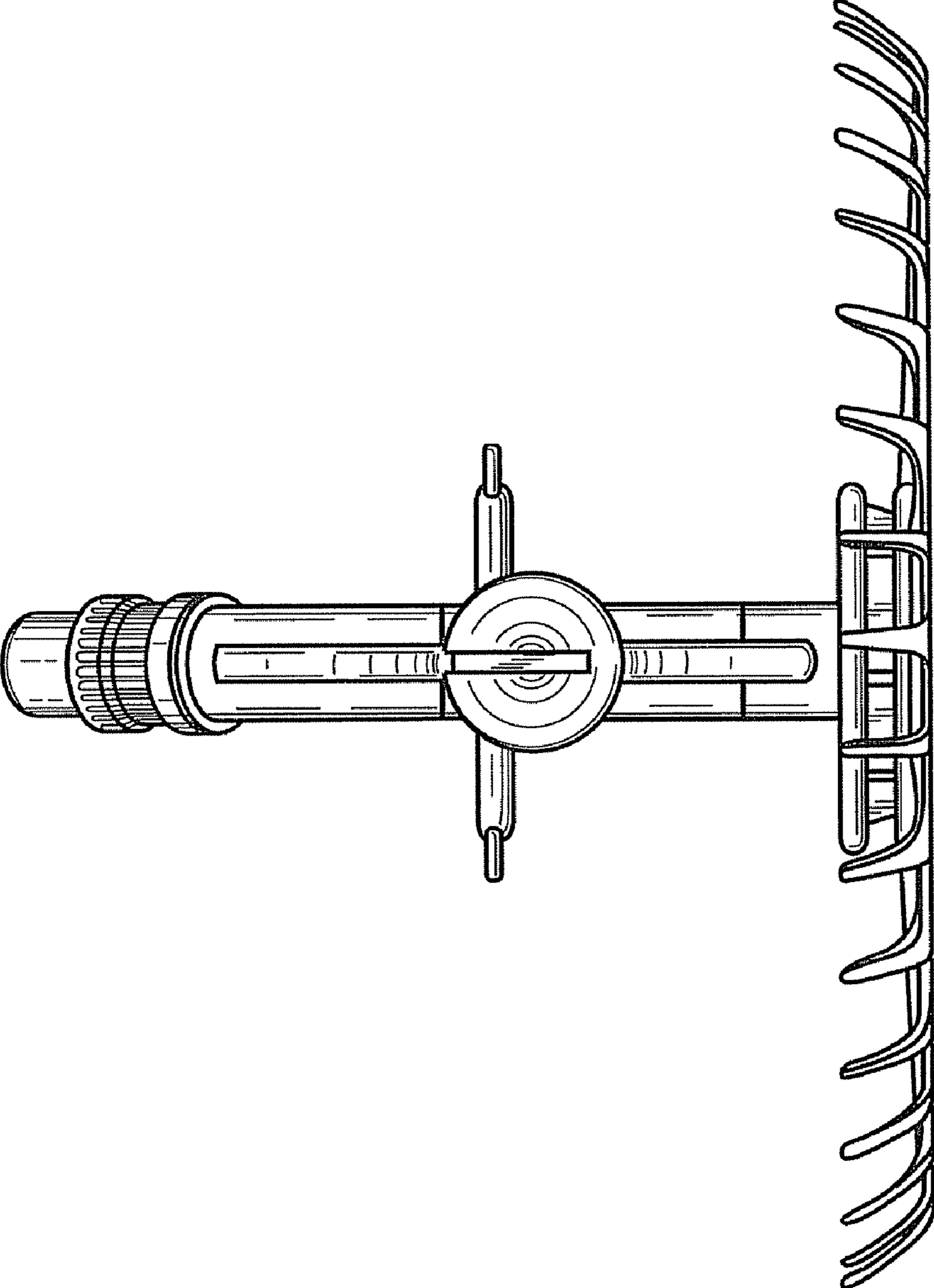


FIG. 3

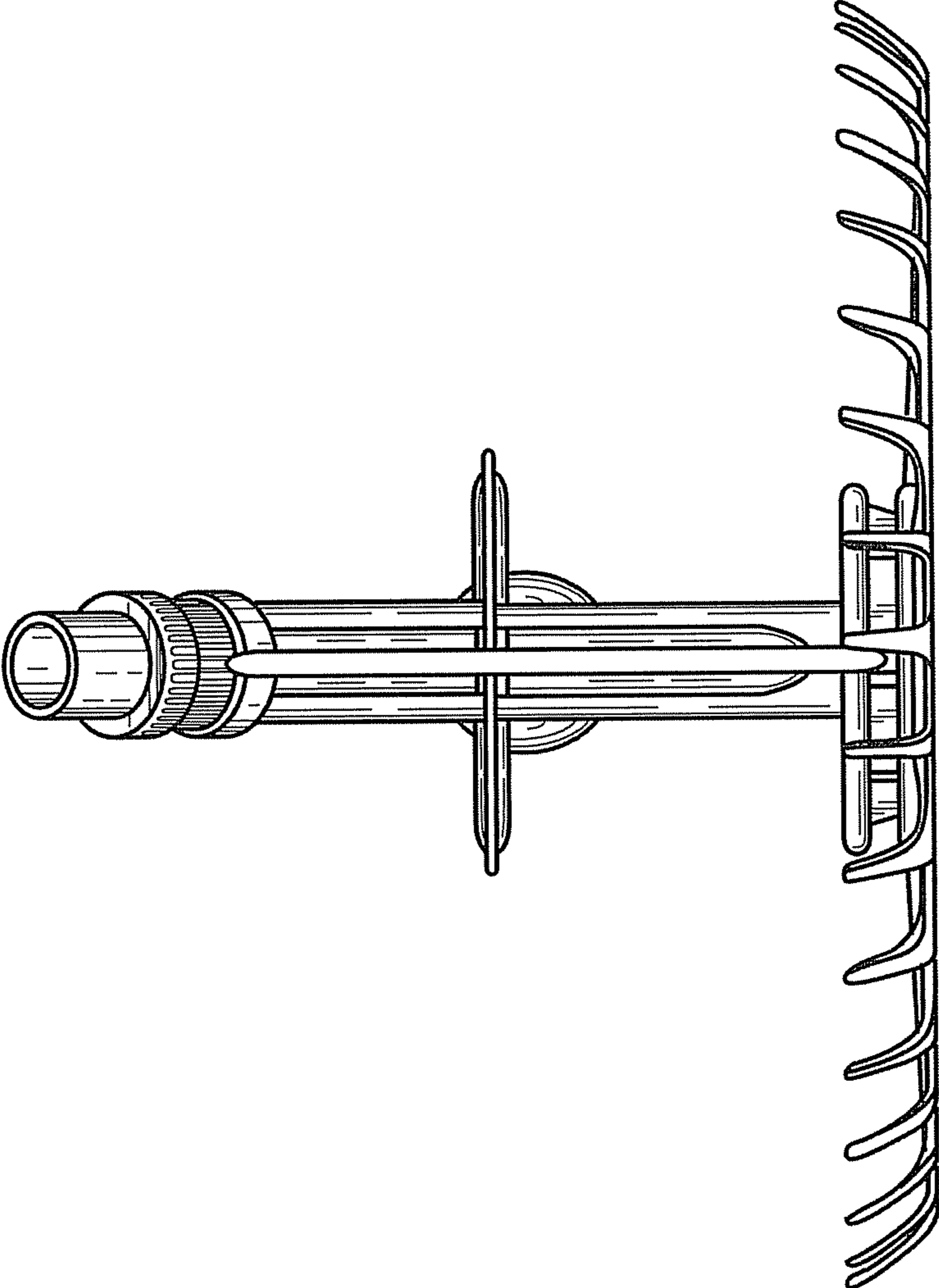


FIG. 4

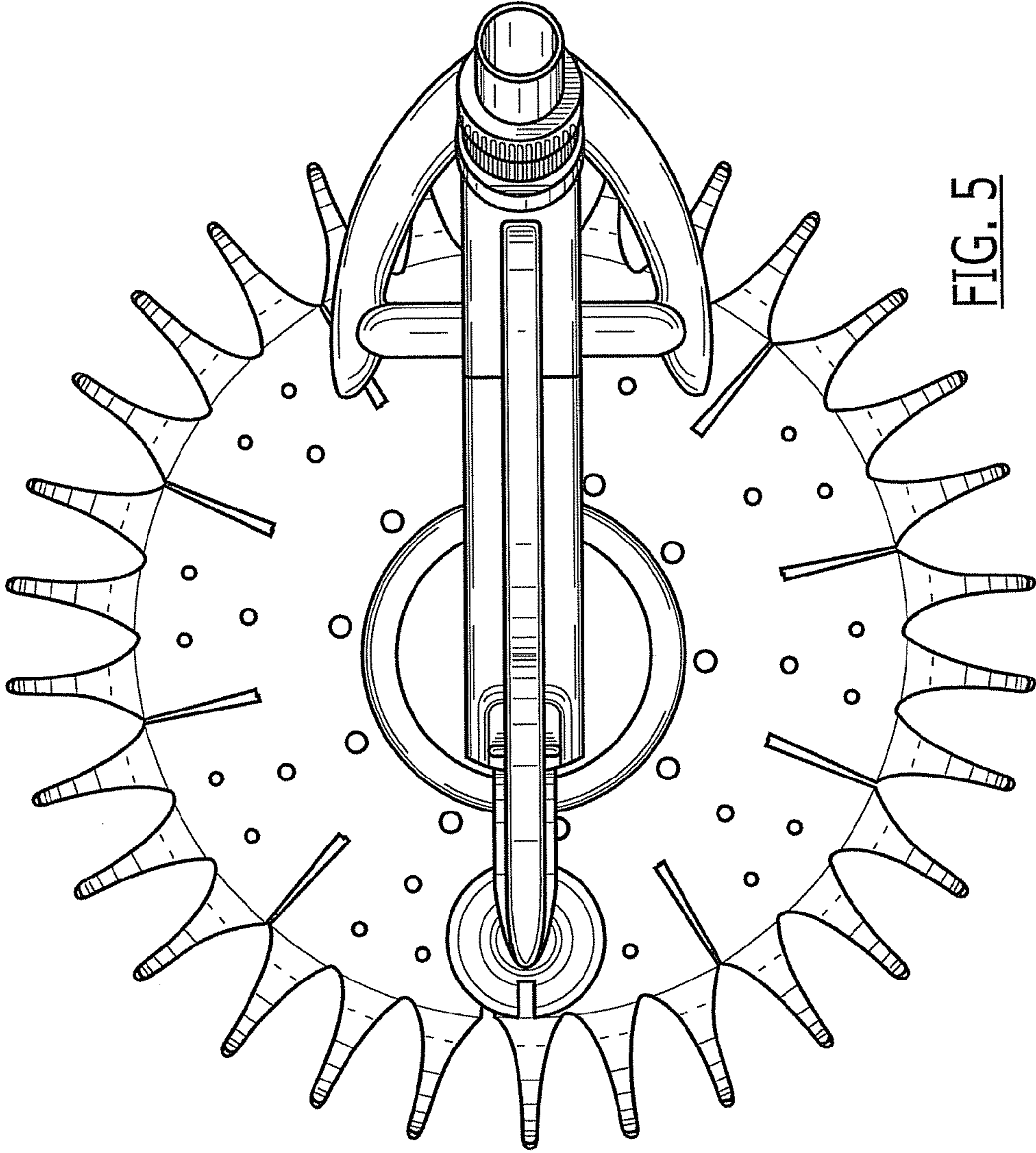


FIG. 5

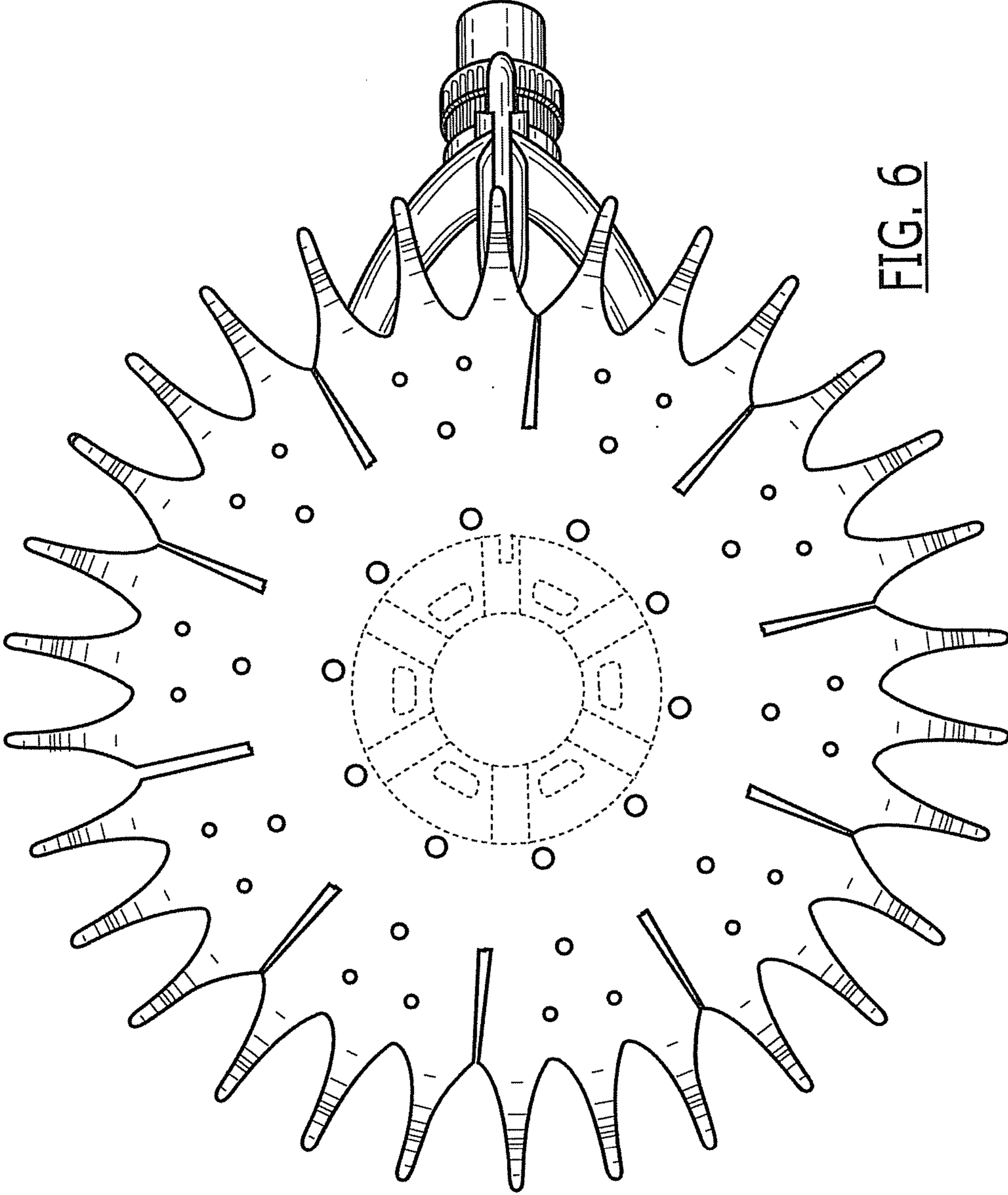
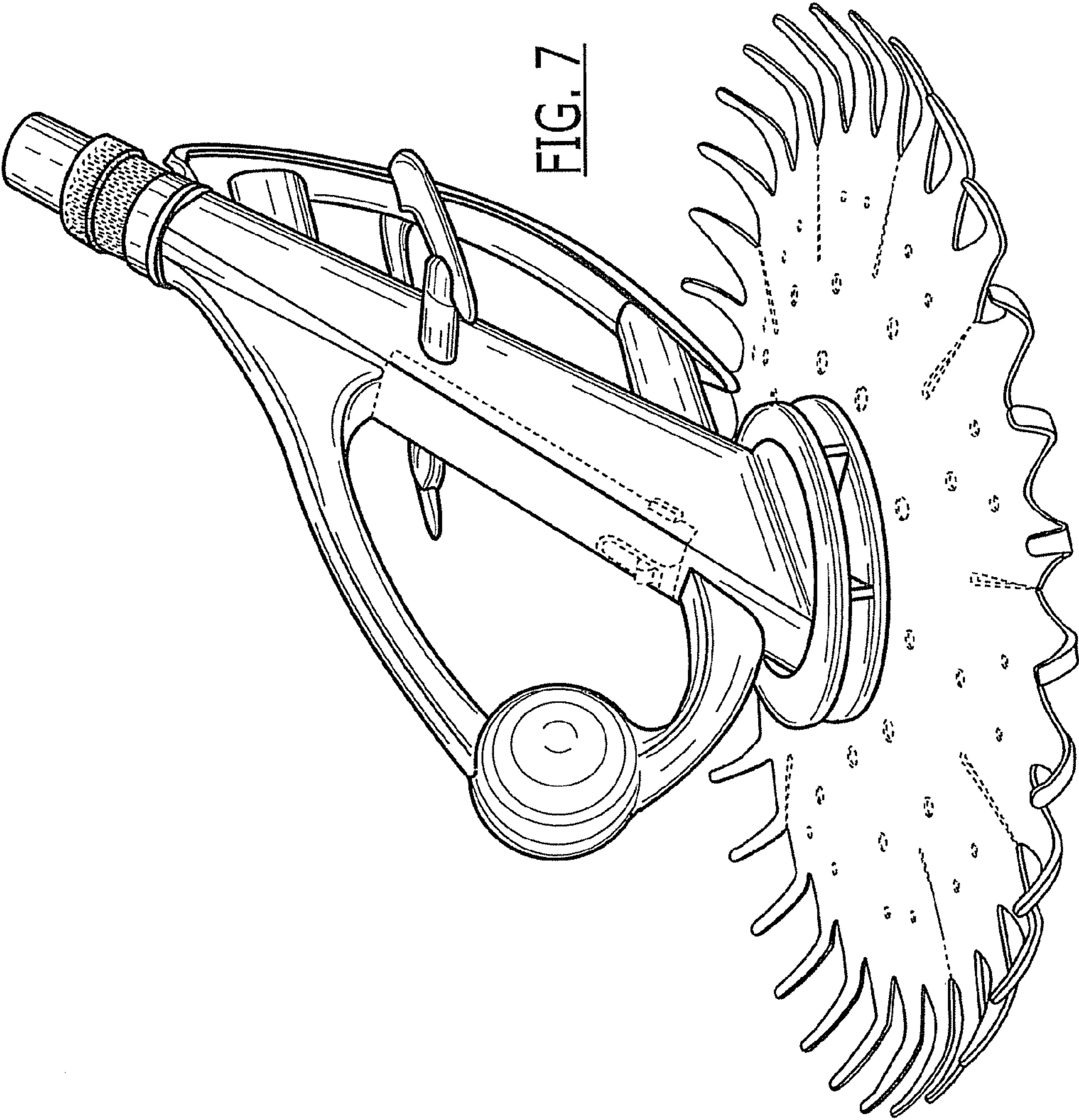


FIG. 6



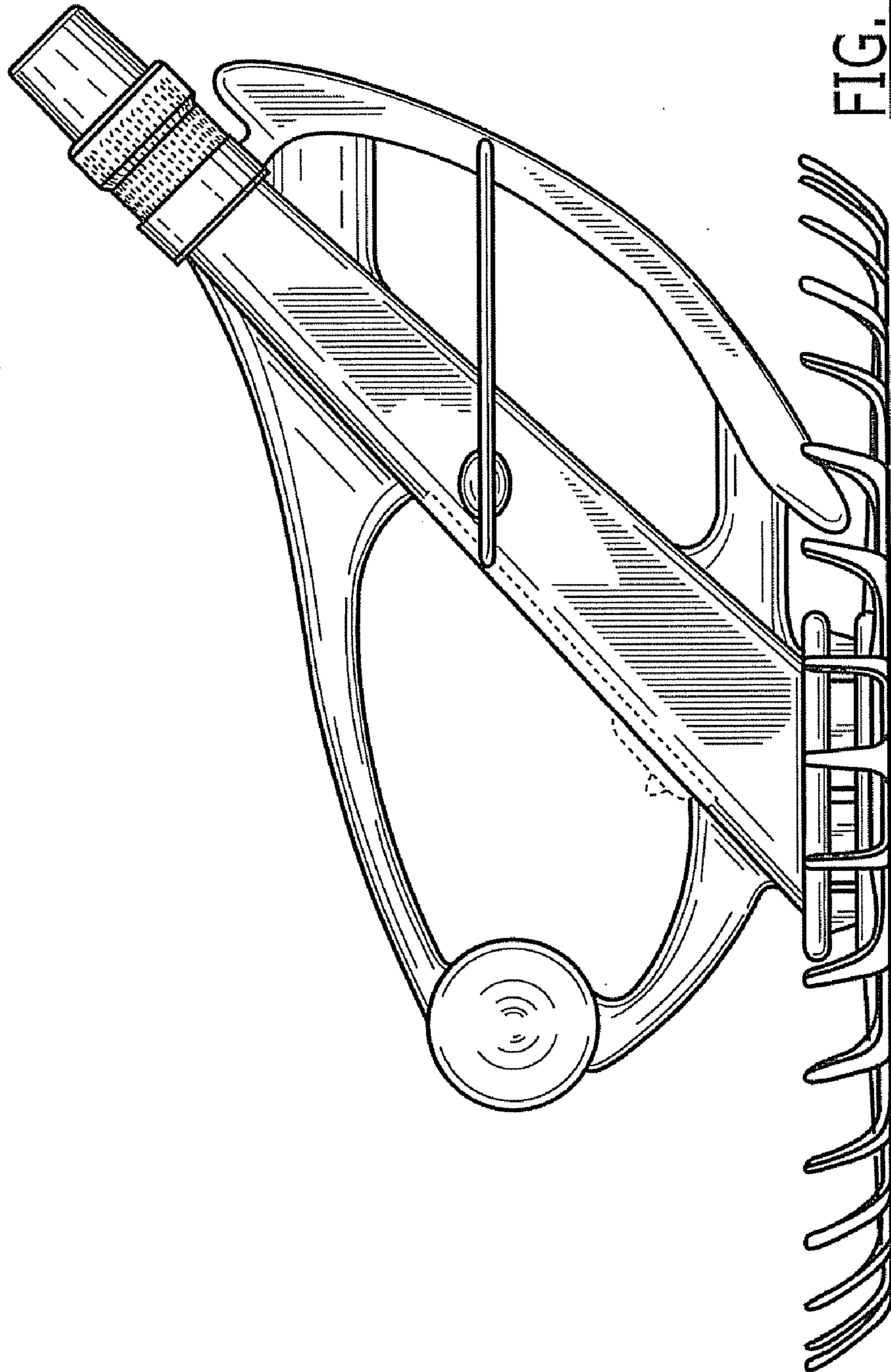


FIG. 8

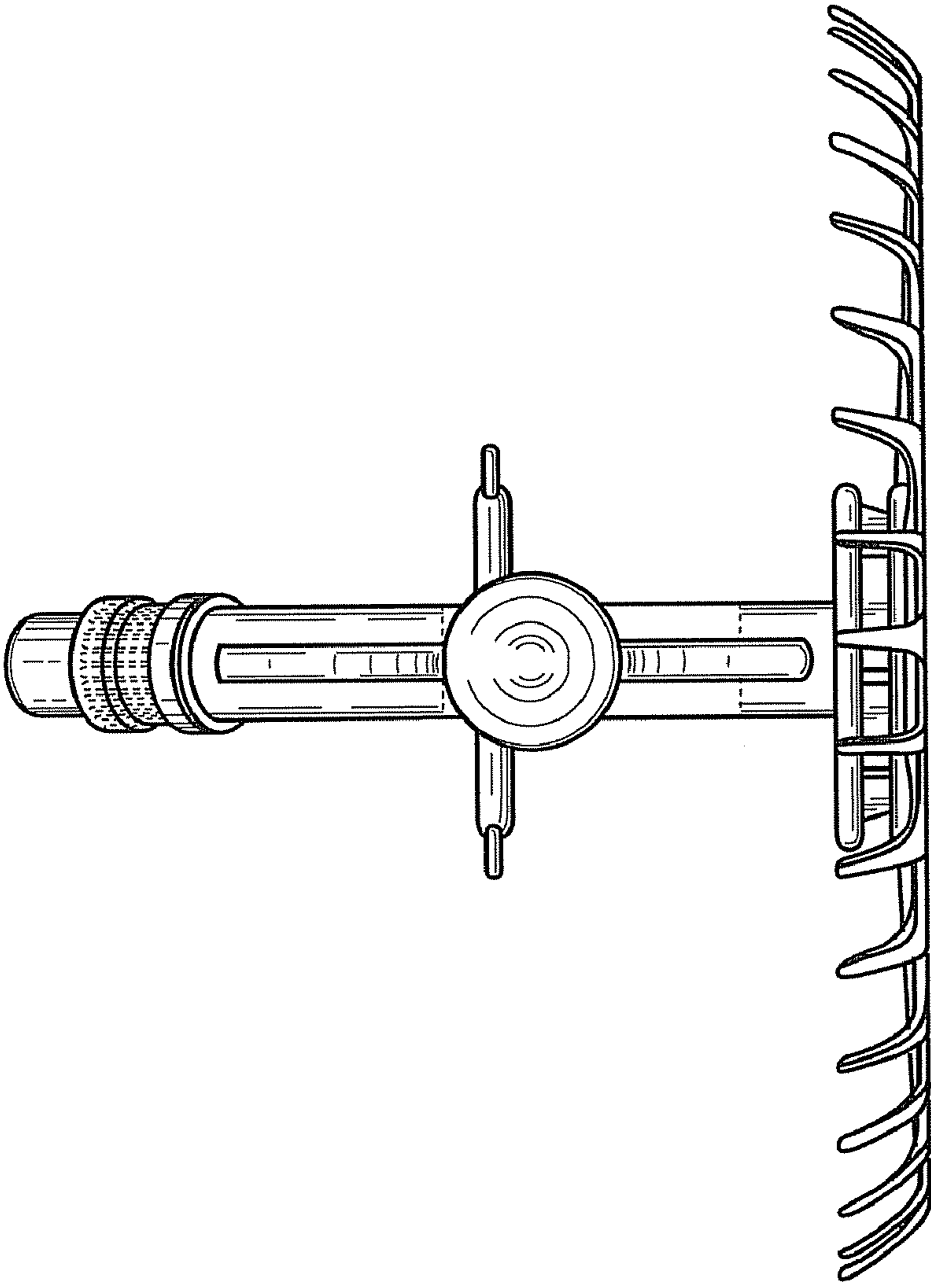


FIG. 9

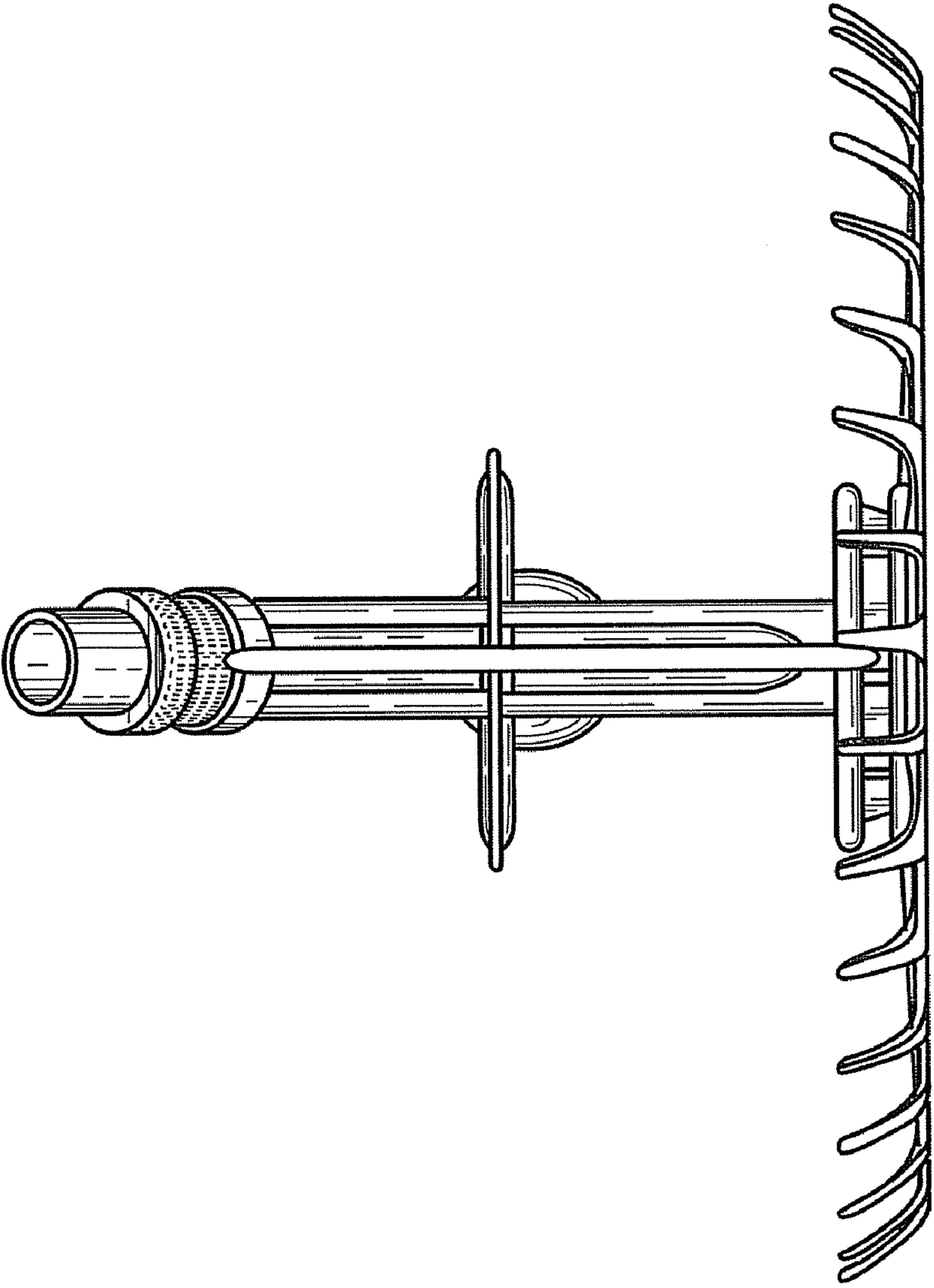


FIG. 10

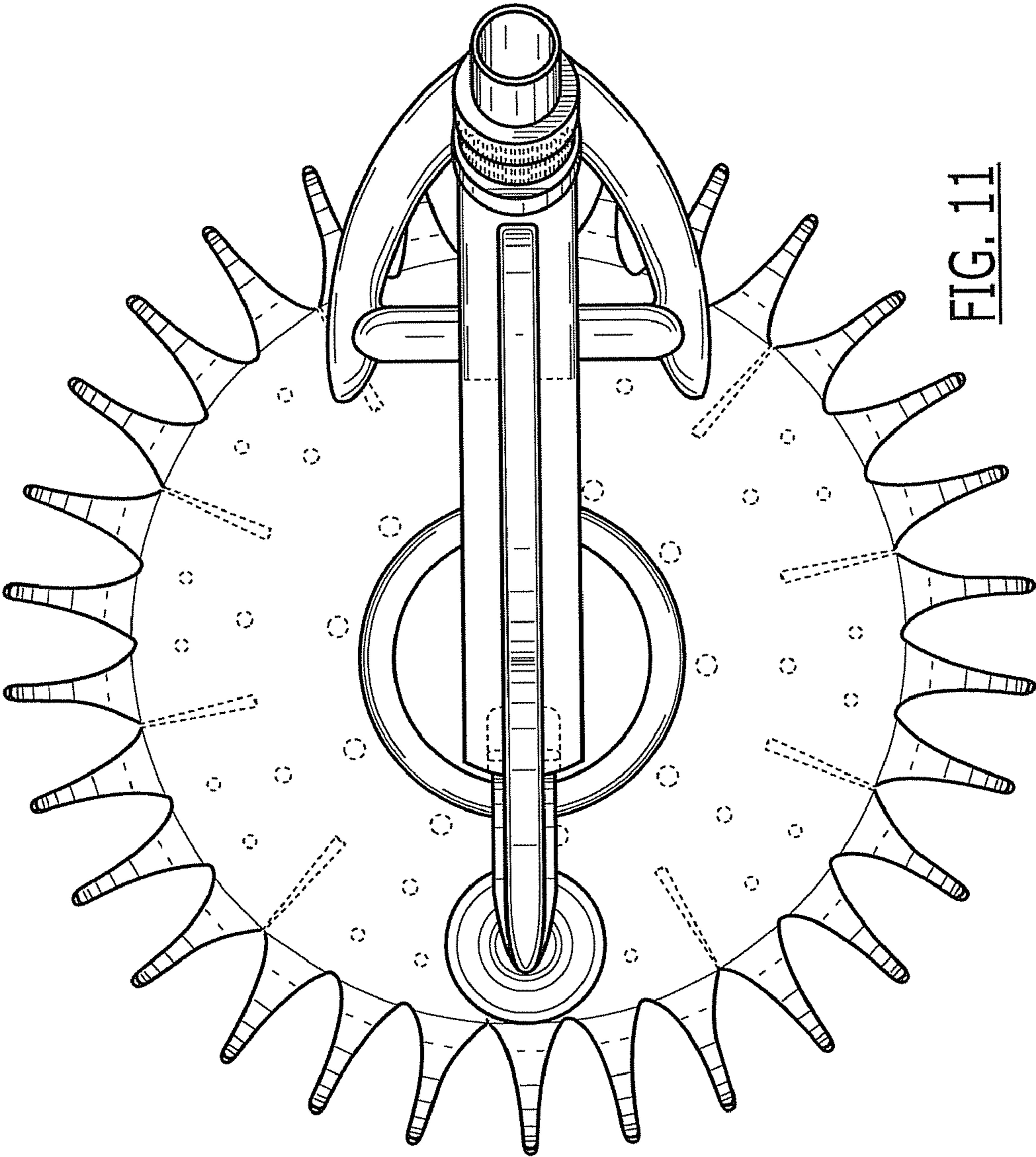


FIG. 11

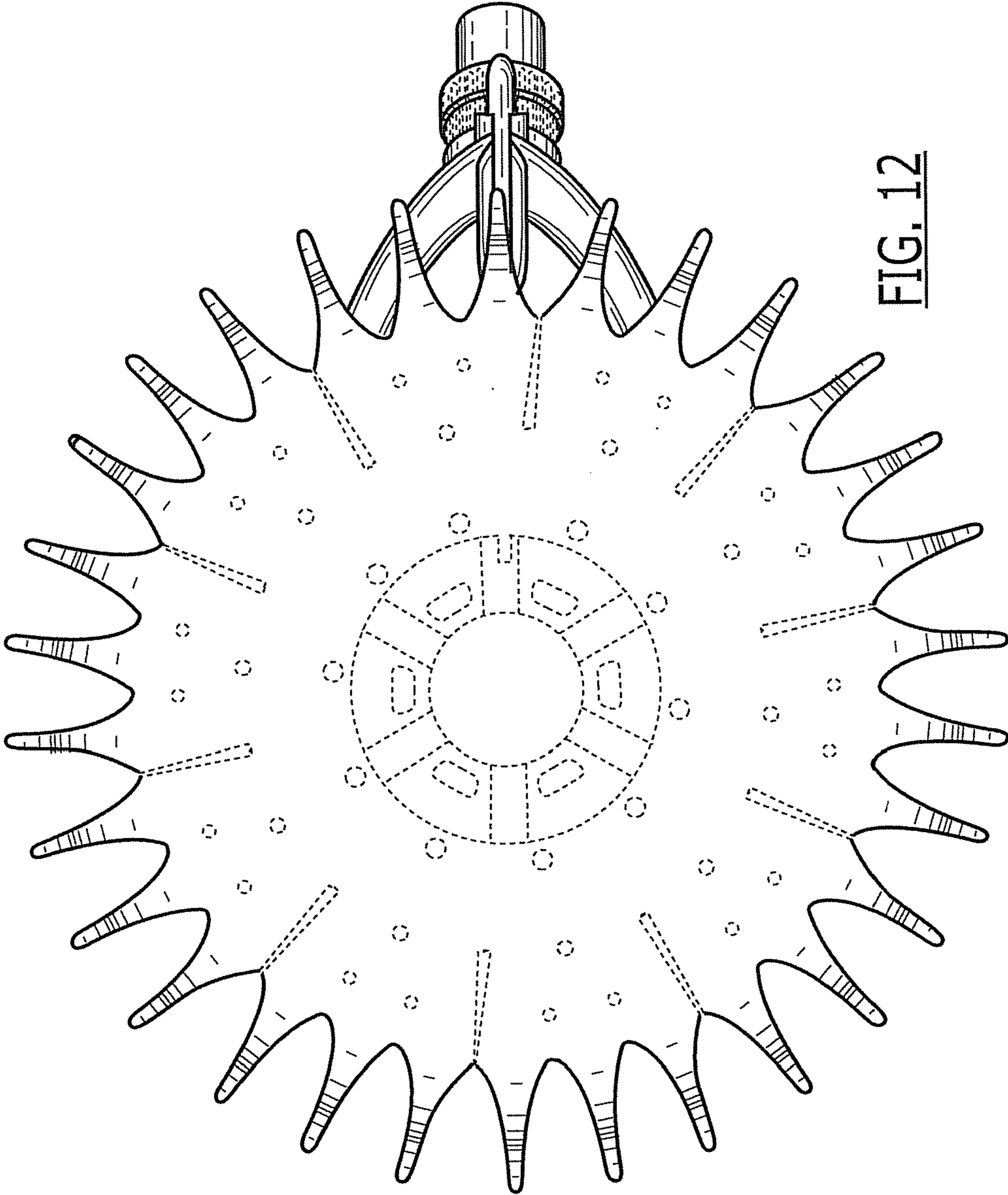
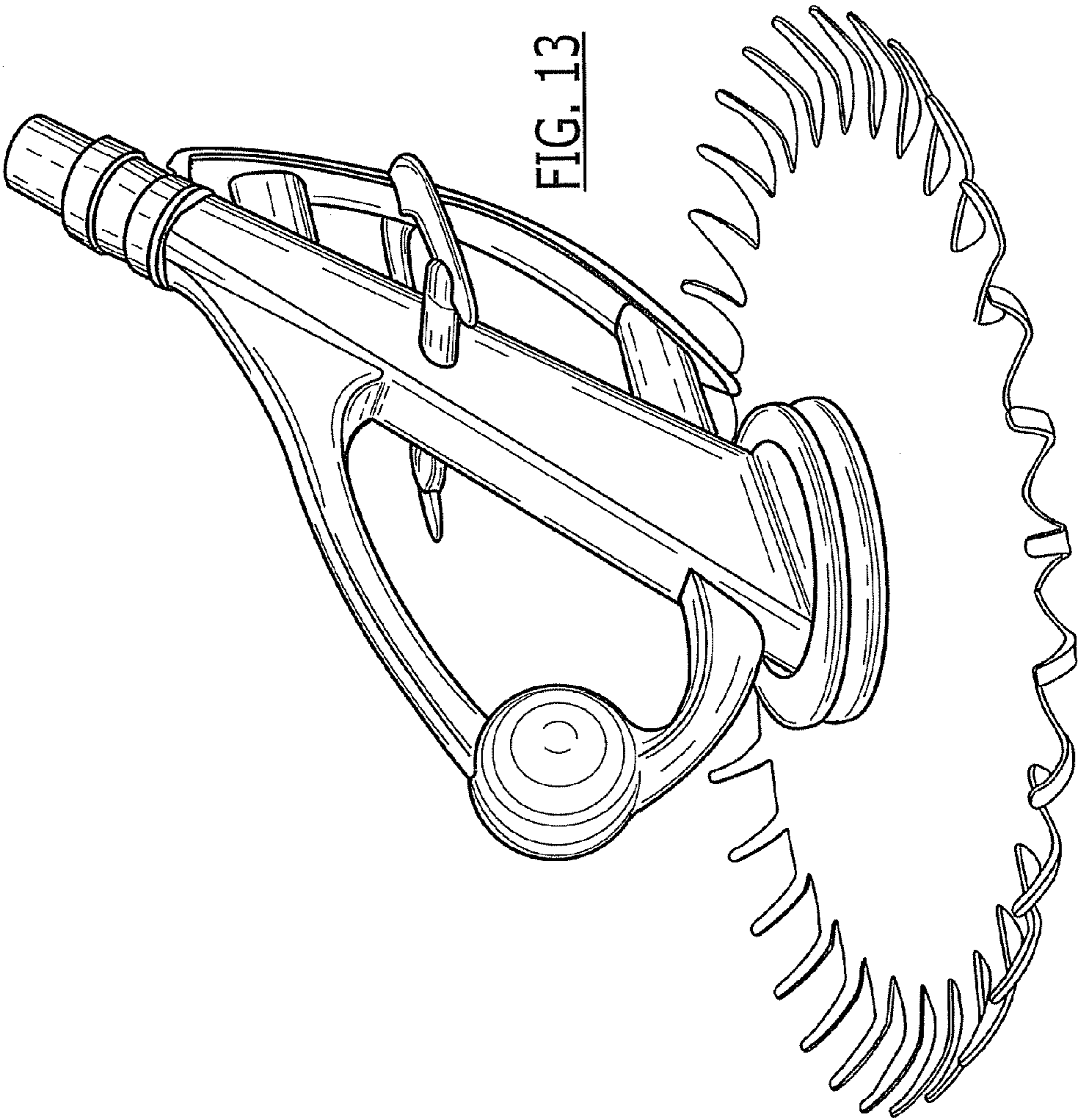


FIG. 12



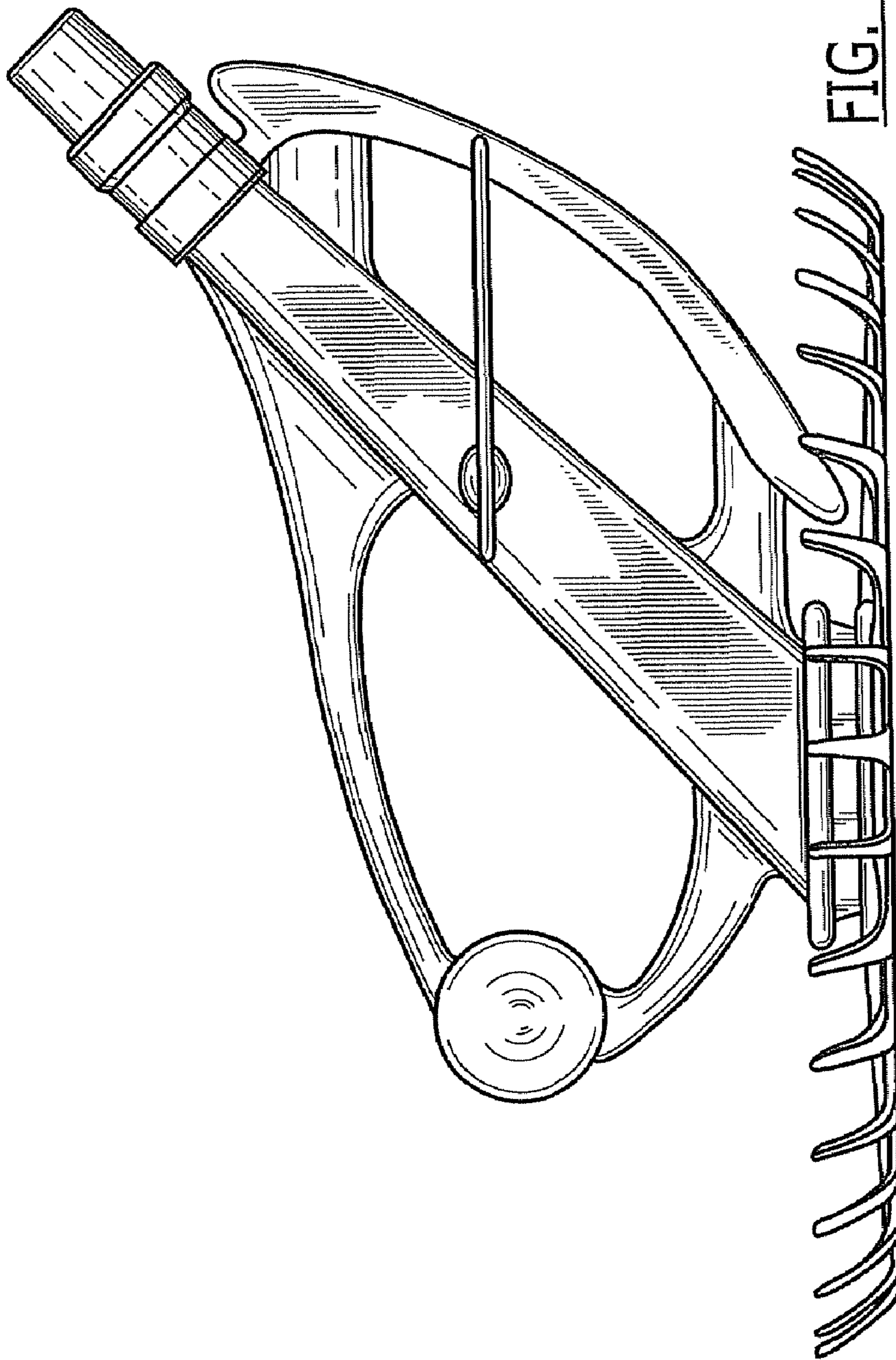


FIG. 14

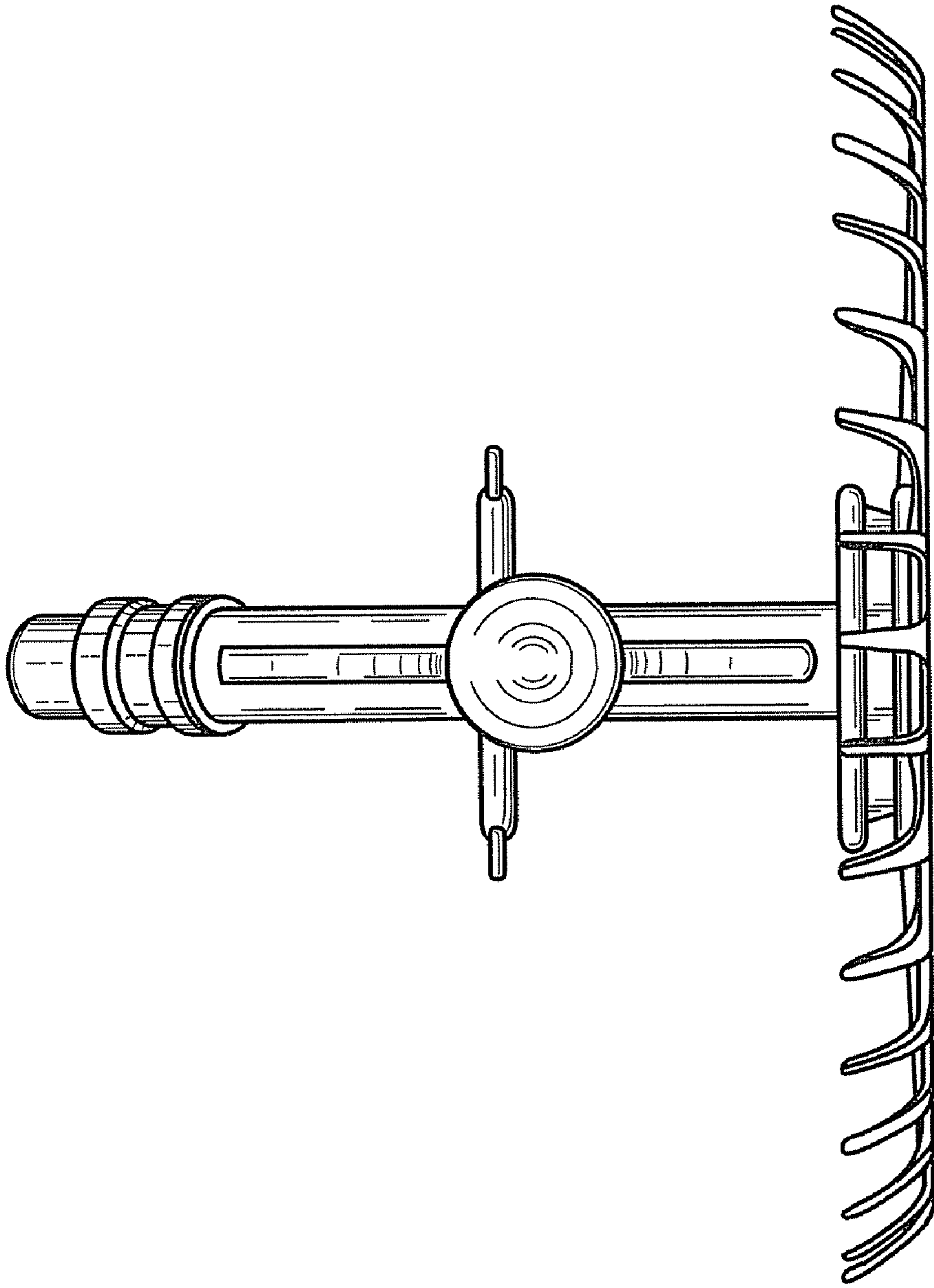


FIG. 15

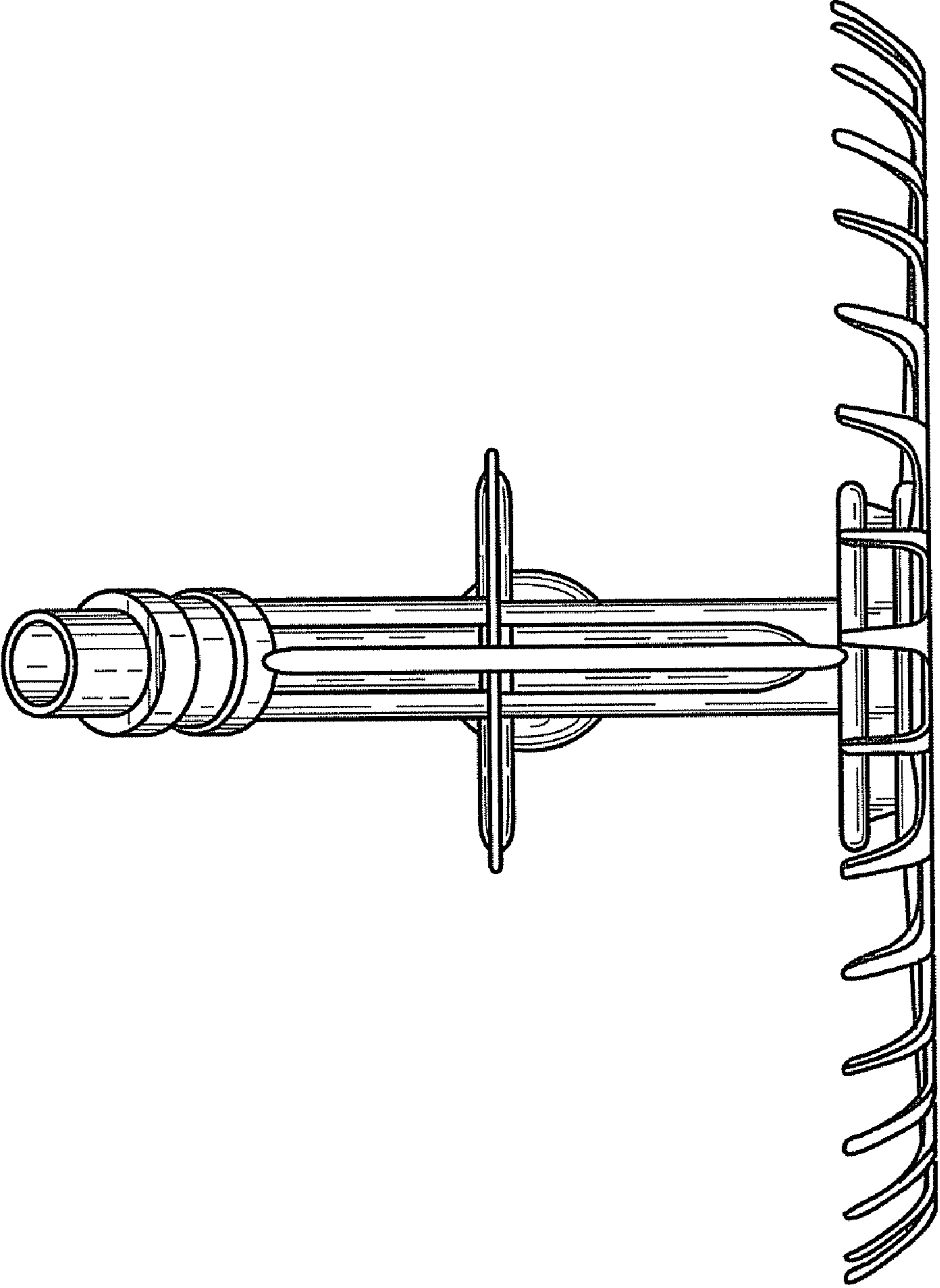


FIG. 16

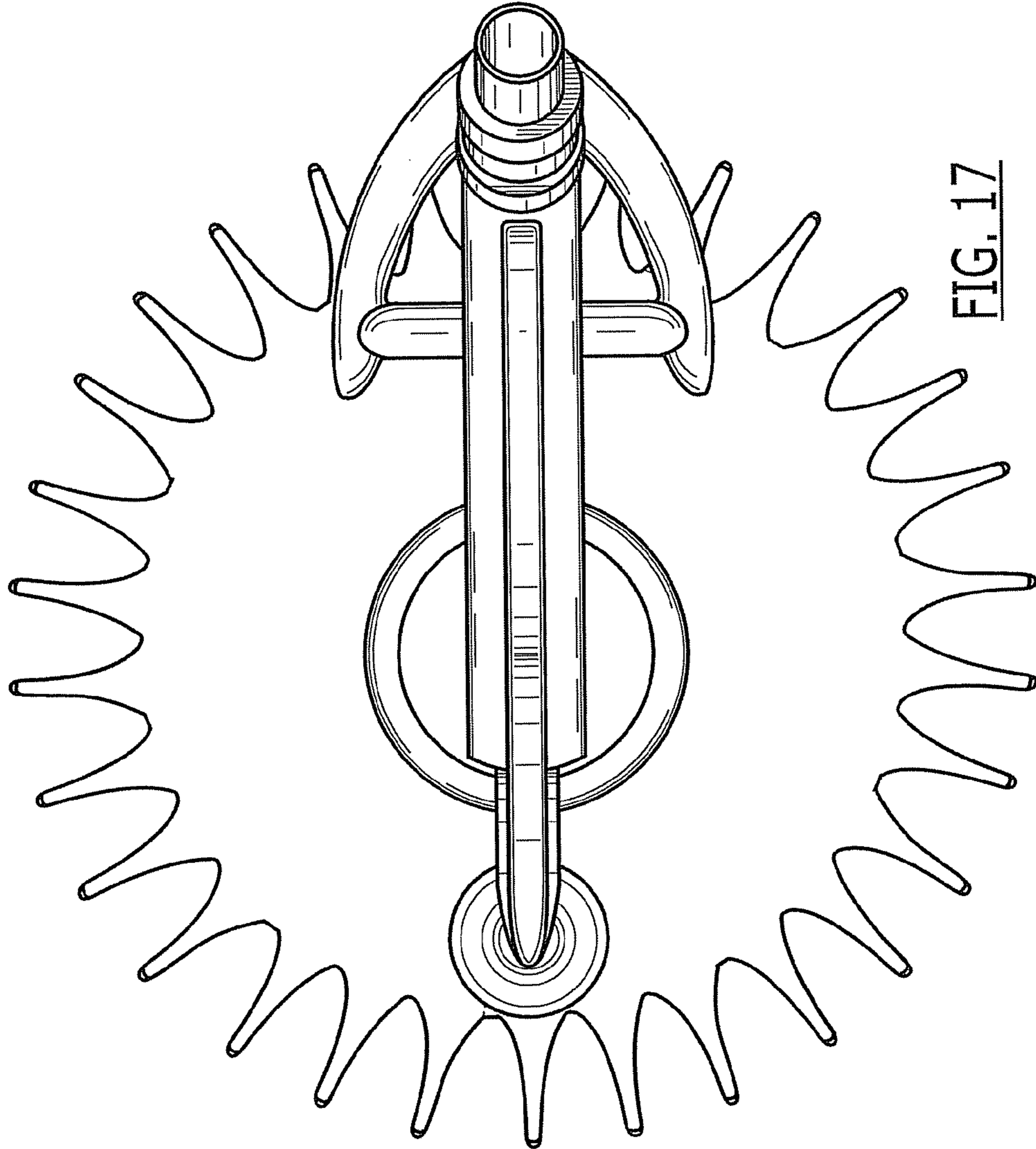


FIG. 17

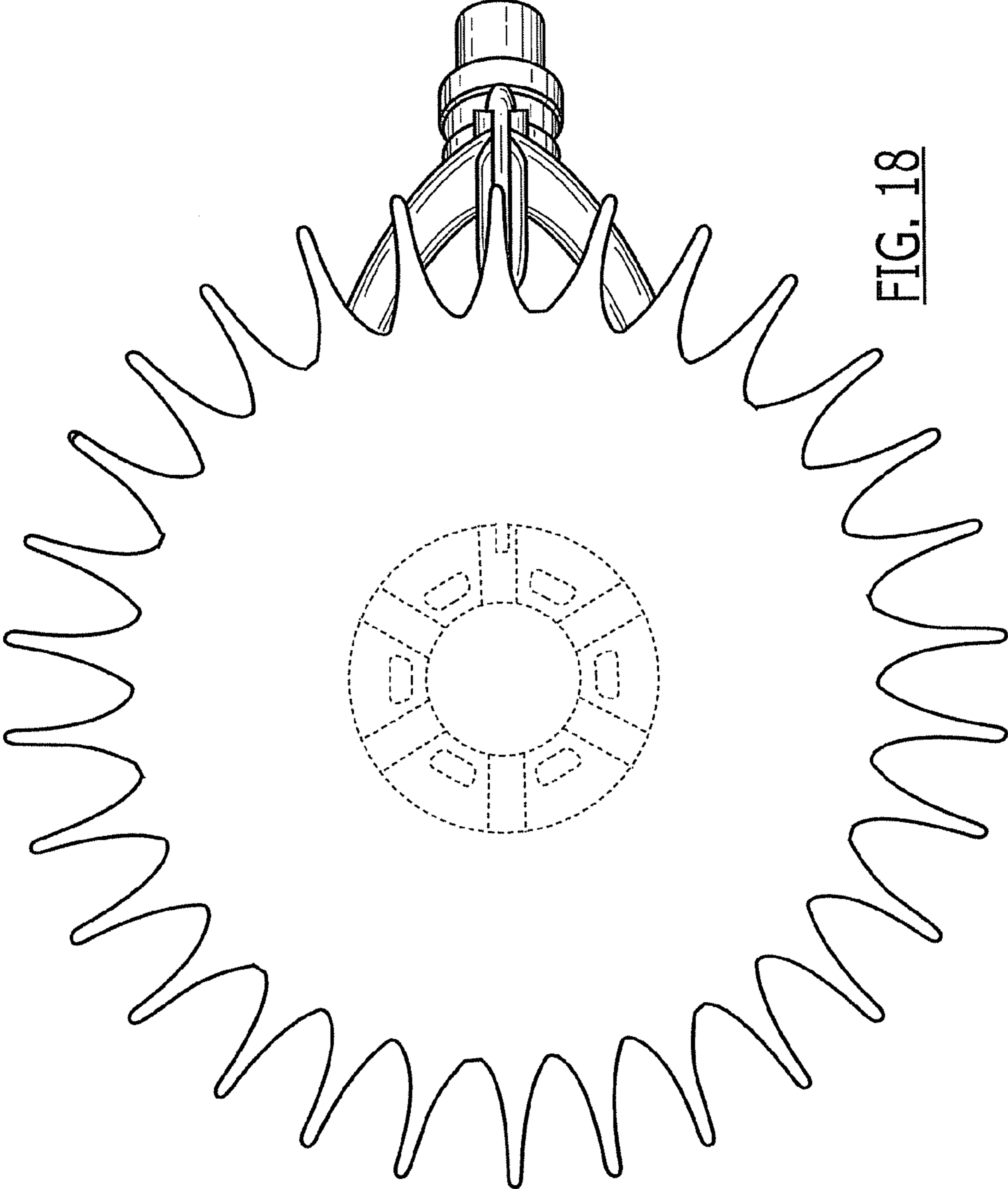


FIG. 18

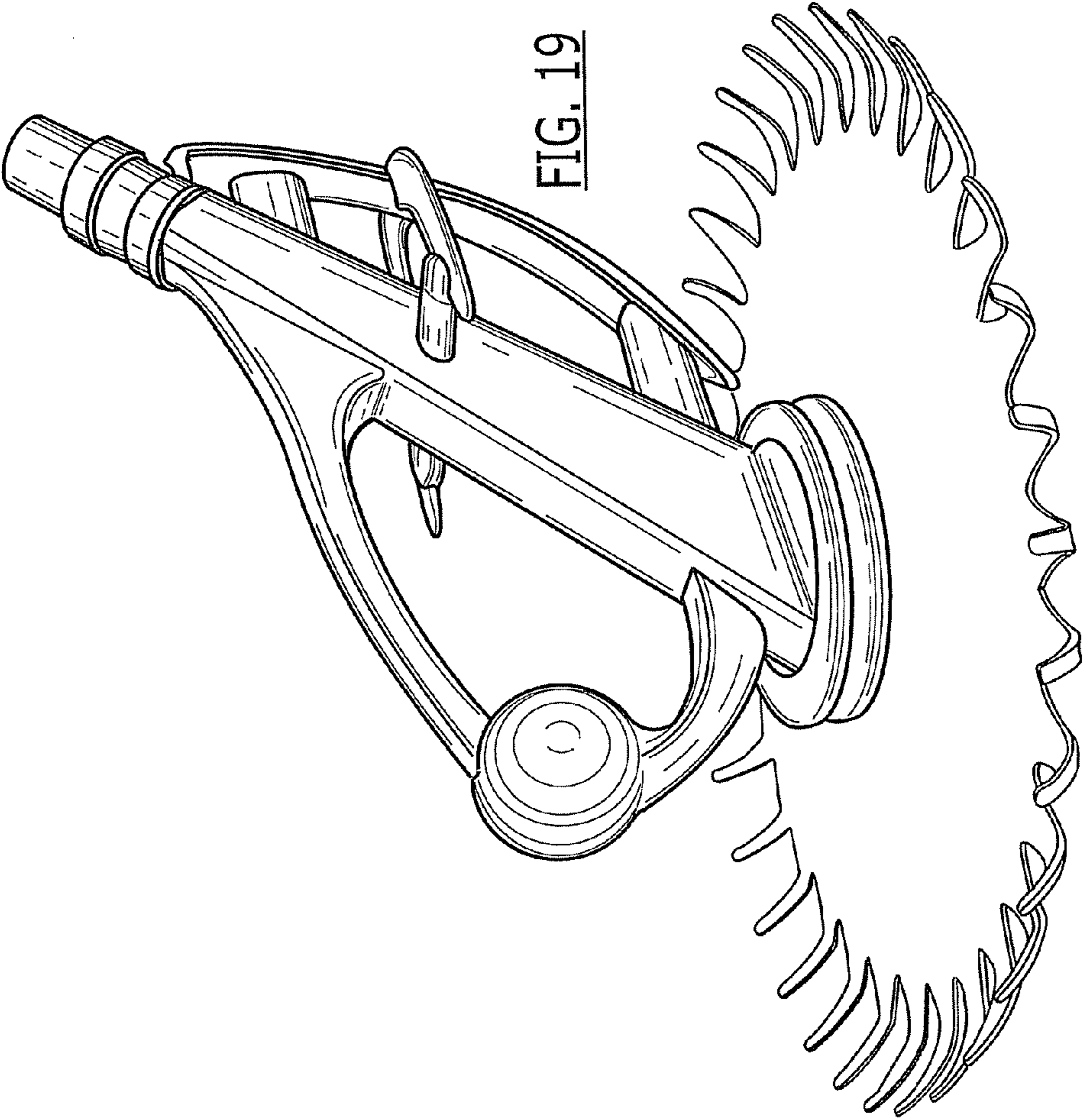


FIG. 19

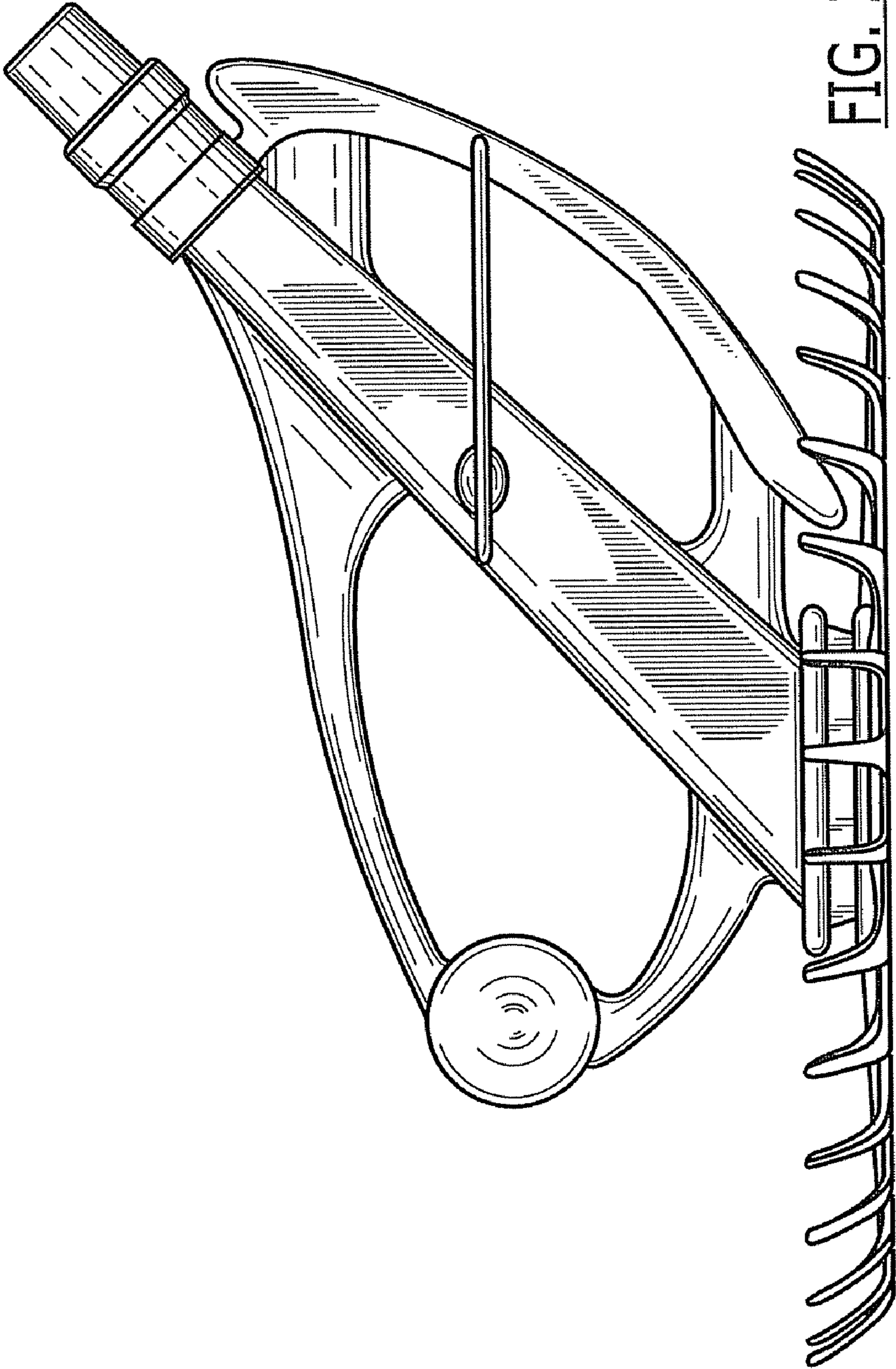


FIG. 20

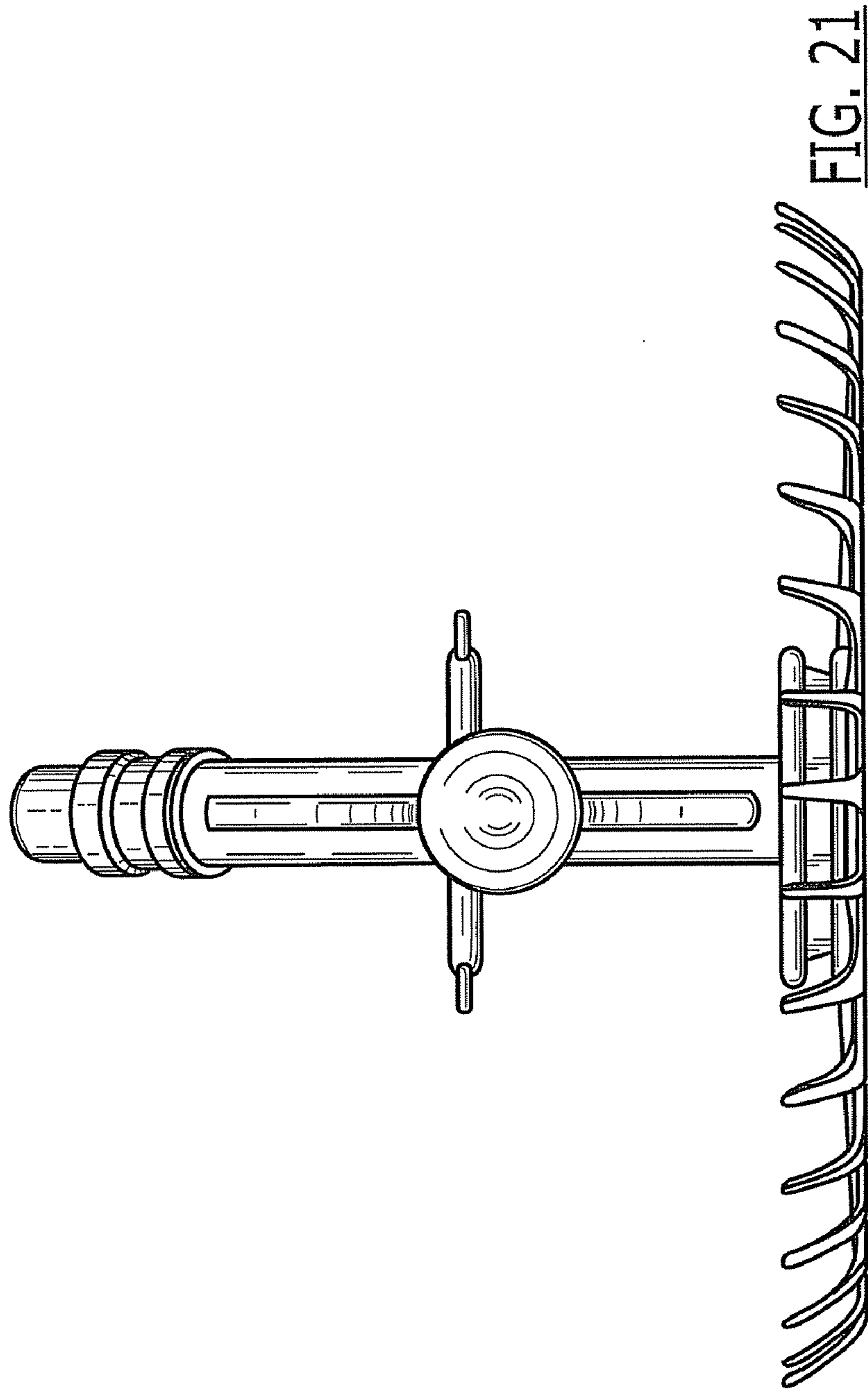


FIG. 21

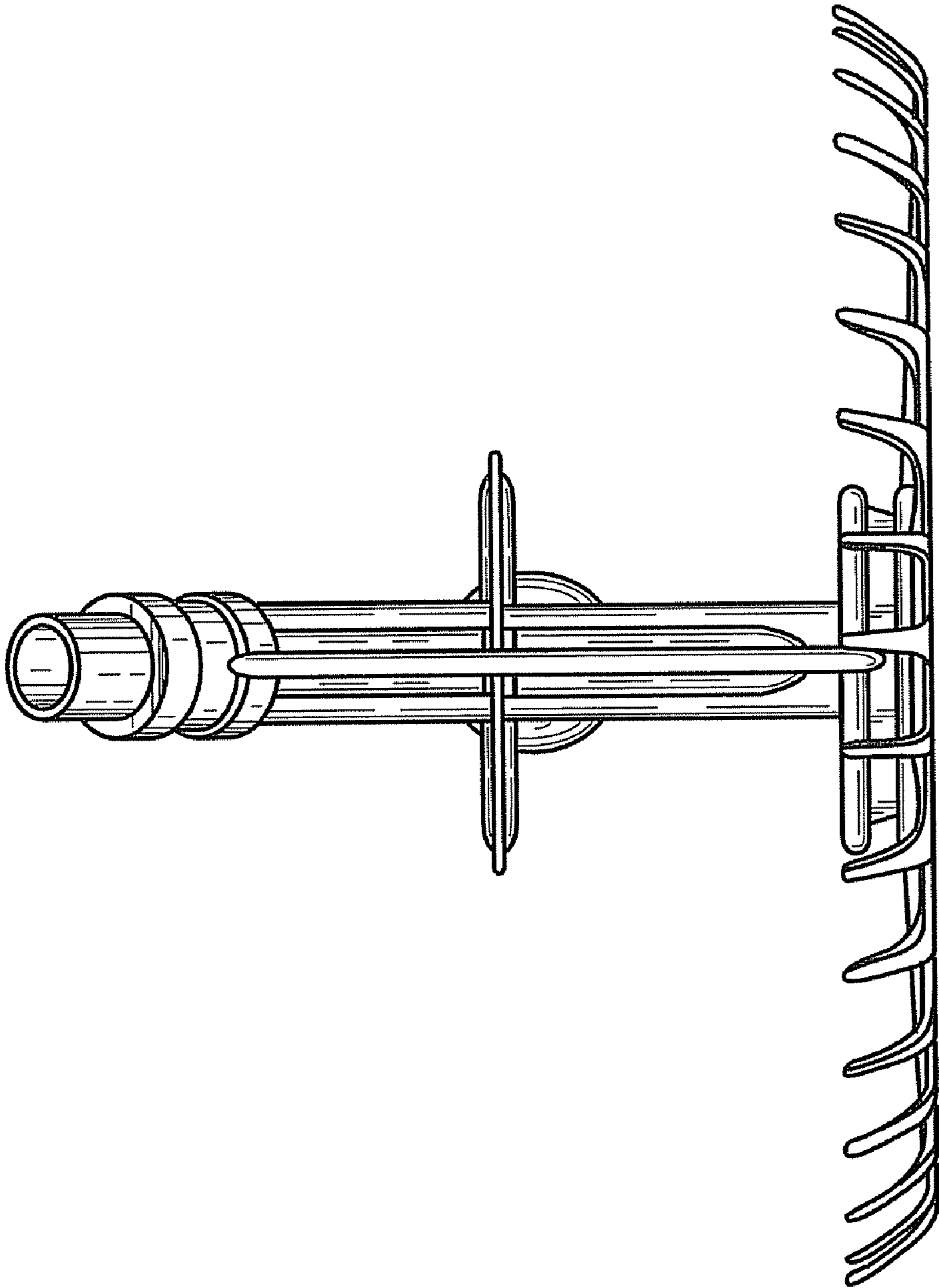


FIG. 22

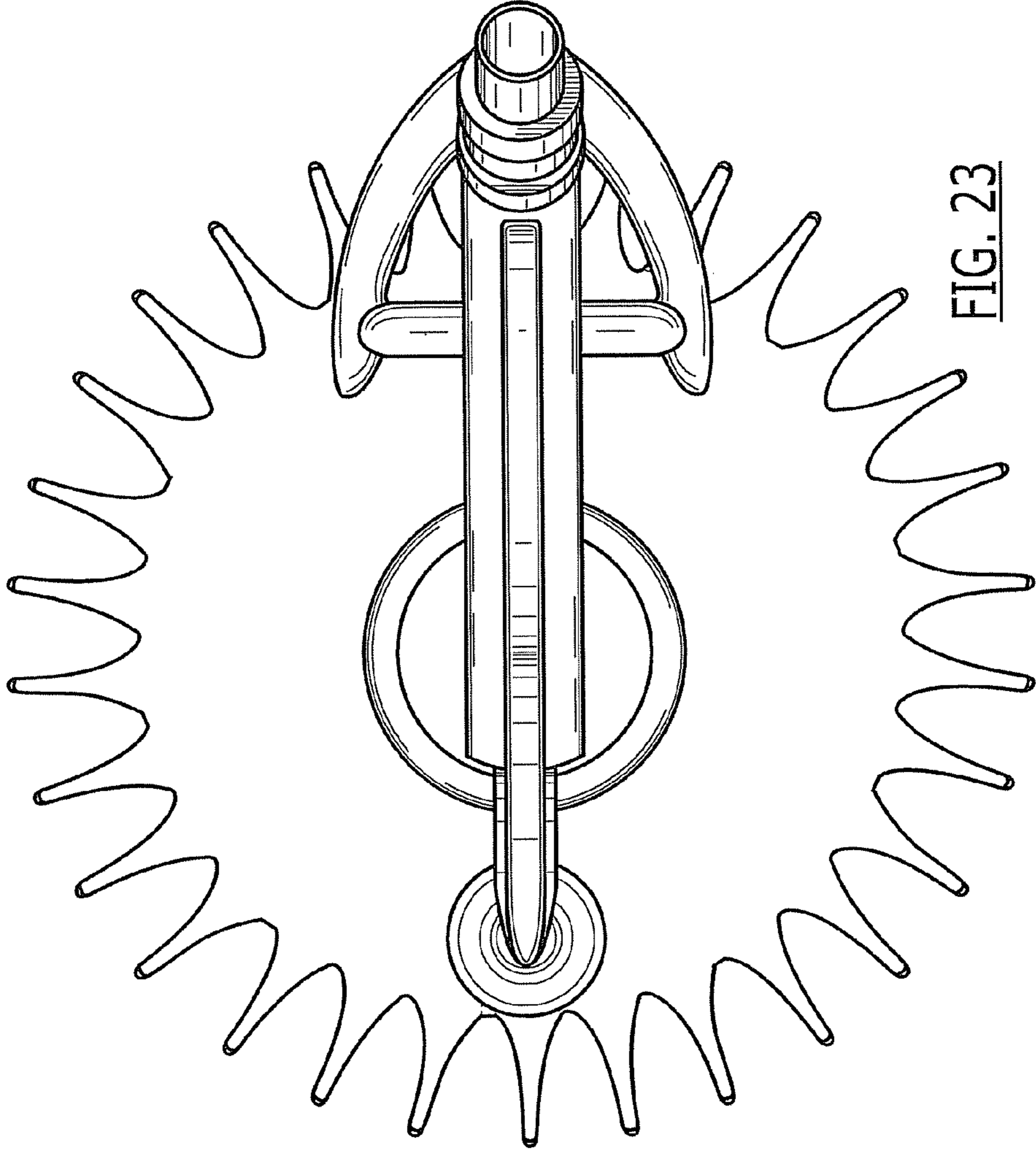


FIG. 23

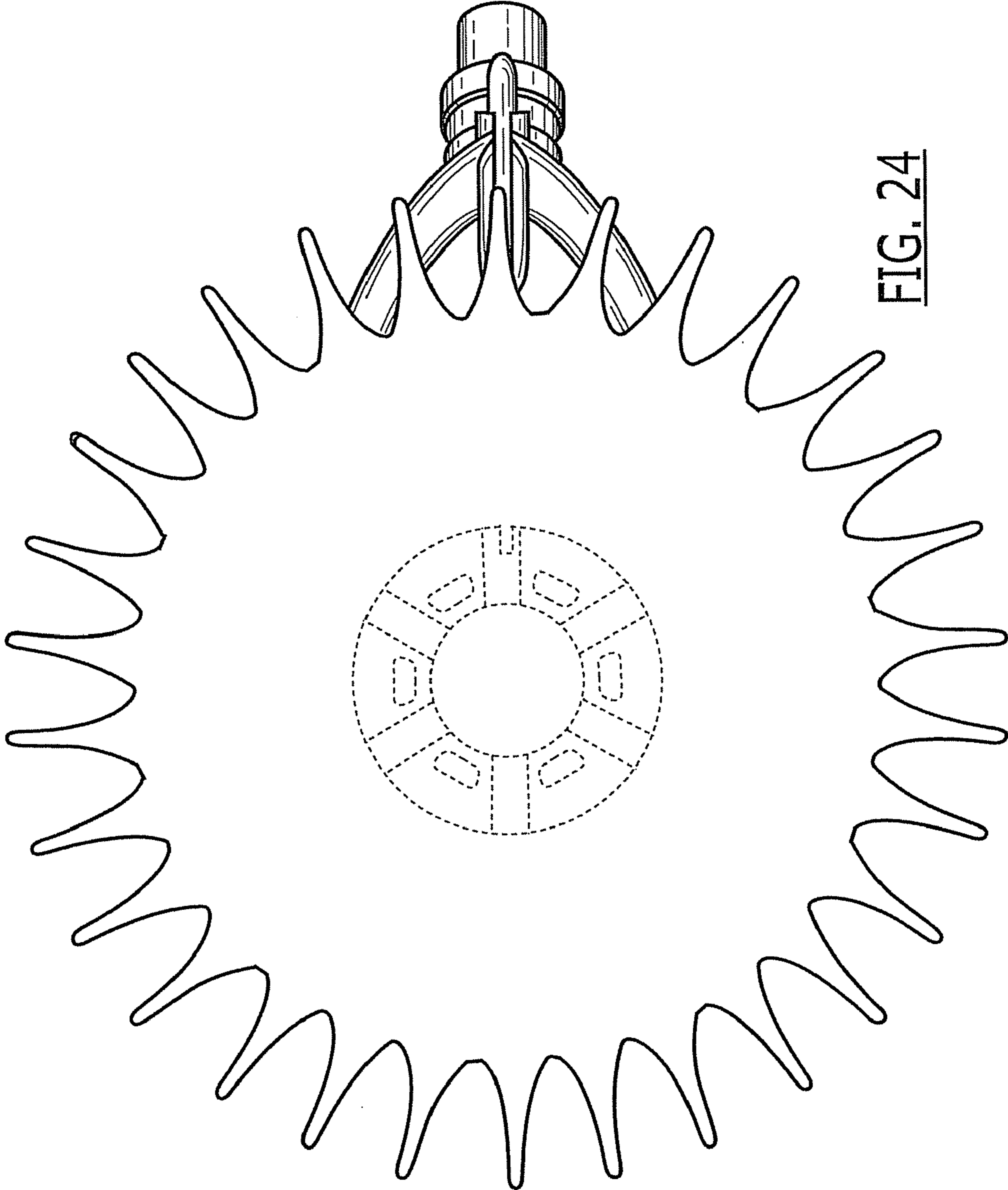
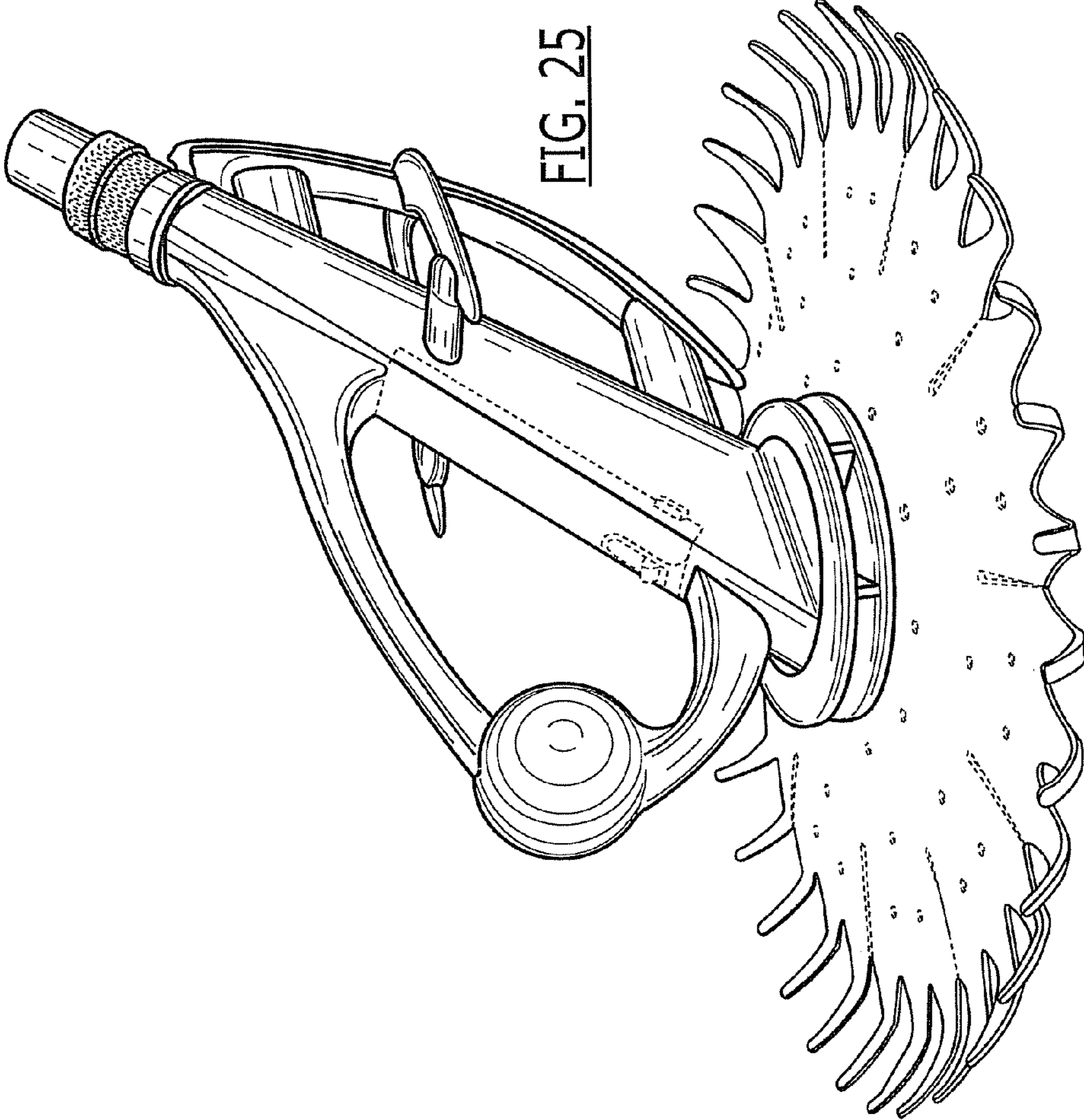


FIG. 24



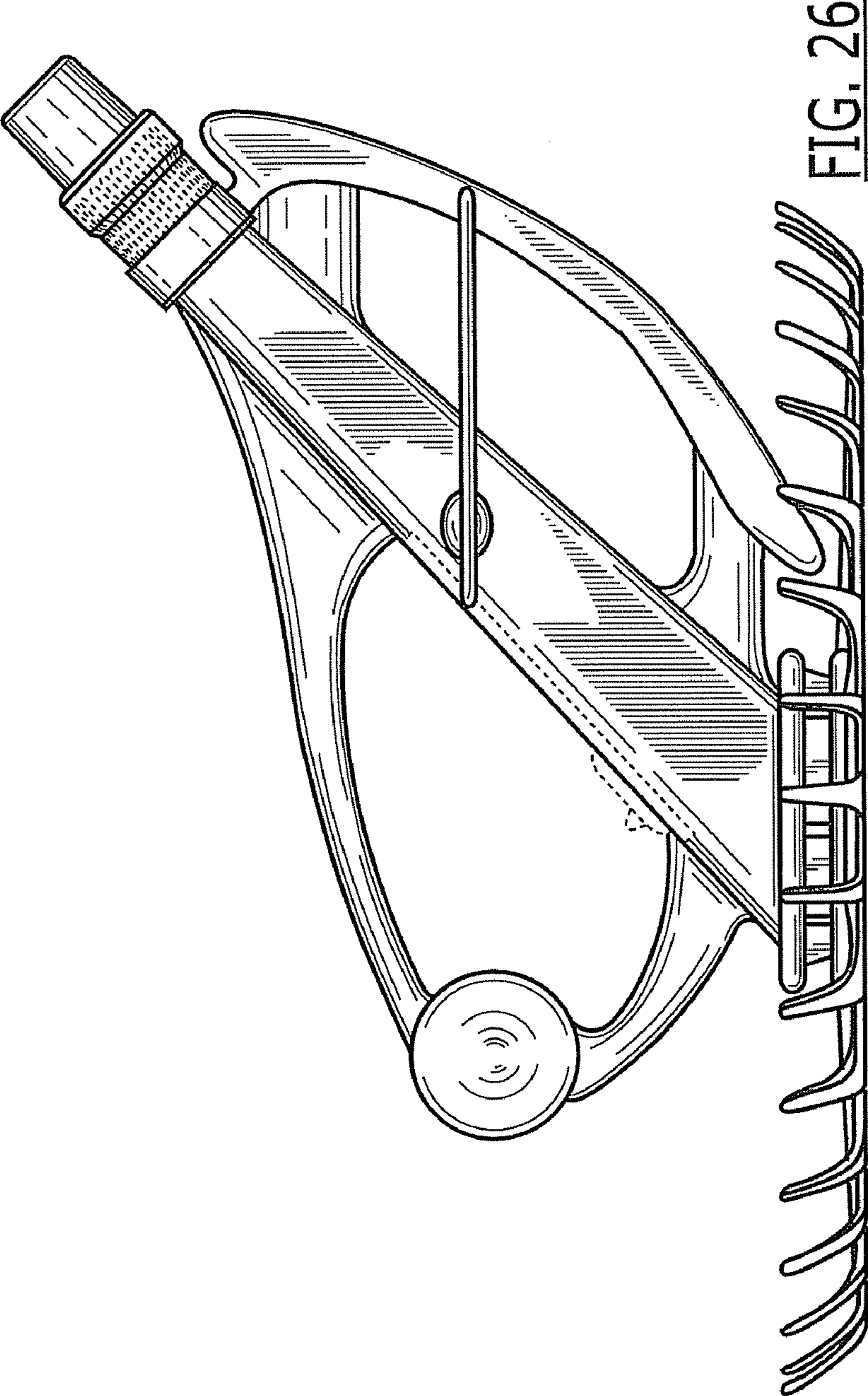


FIG. 26

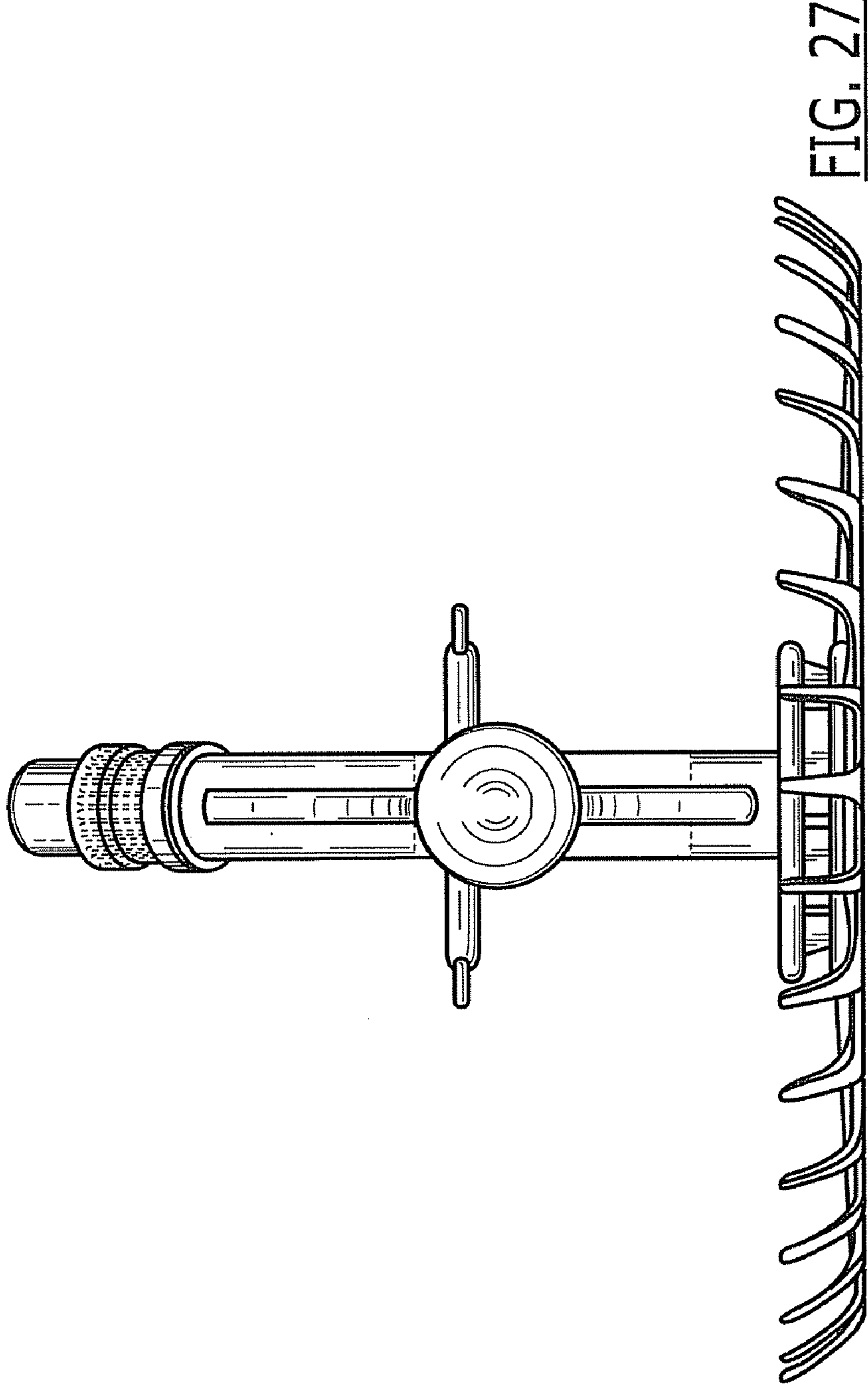


FIG. 27

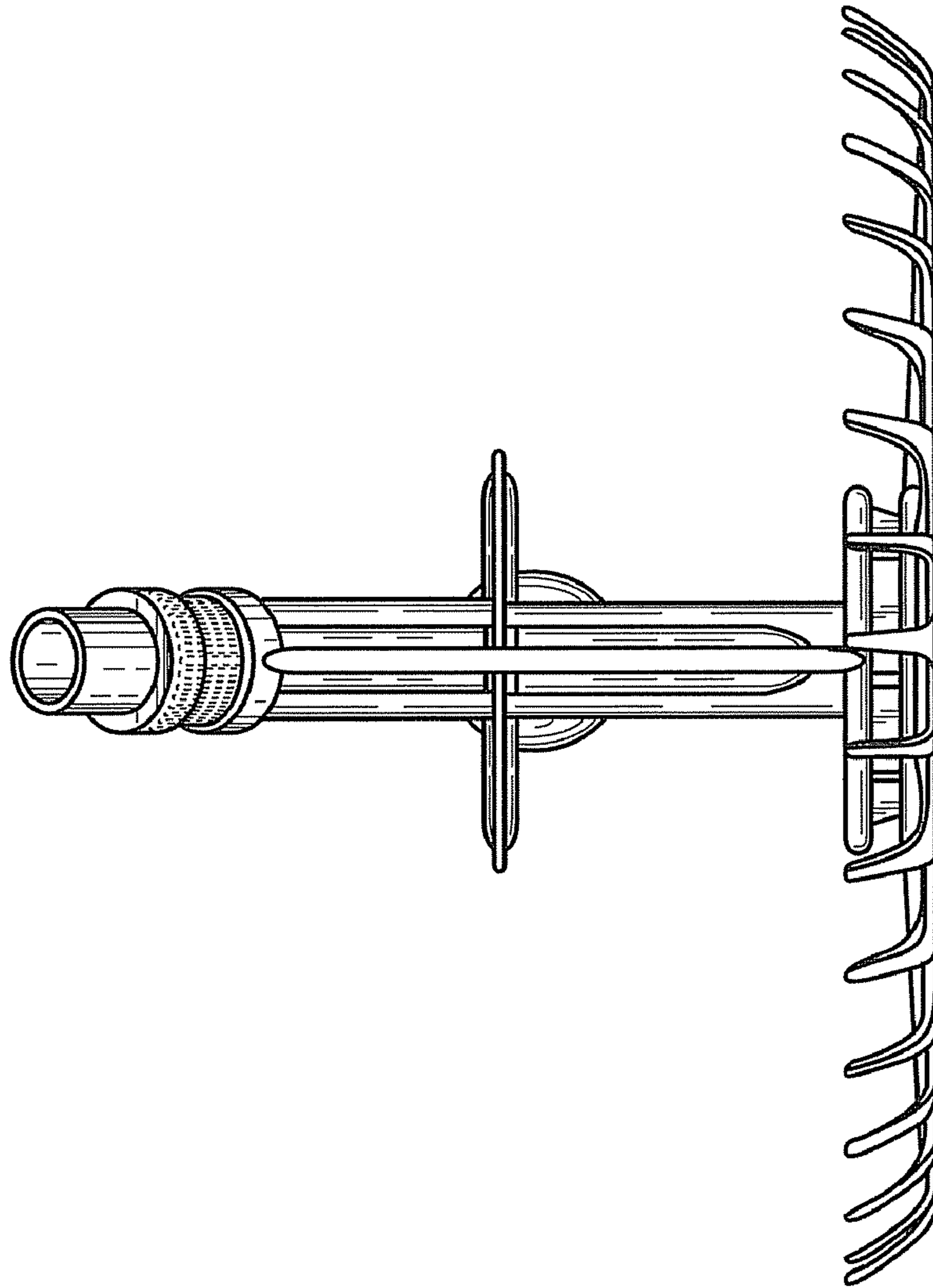


FIG. 28

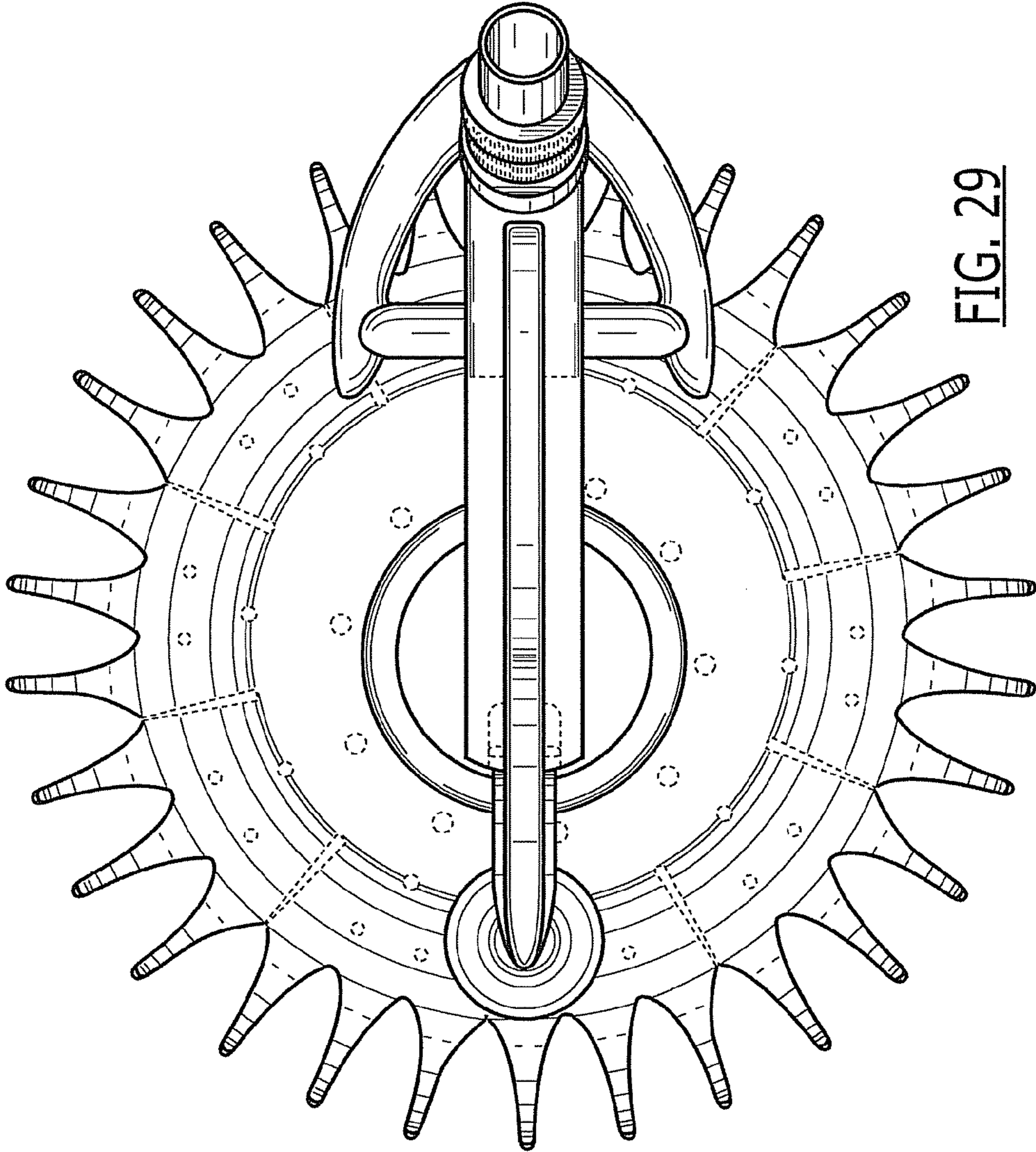


FIG. 29

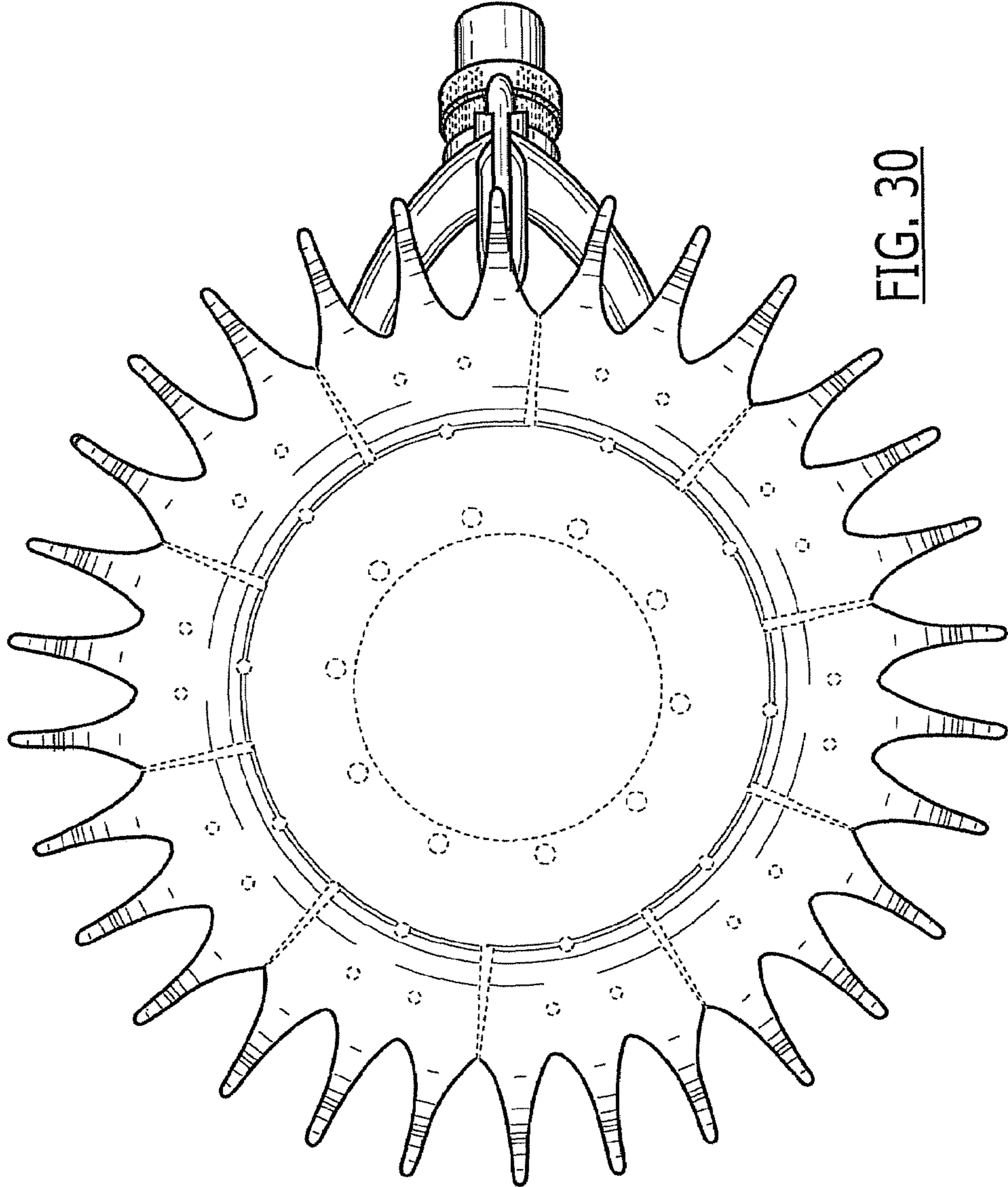


FIG. 30