



US00D611663S

(12) **United States Design Patent**  
**Bergschneider et al.**

(10) **Patent No.:** **US D611,663 S**  
(45) **Date of Patent:** **\*\* Mar. 9, 2010**

(54) **TOOL CARRYING HARNESS WORN BY PETS**

(76) Inventors: **Perry Bergschneider**, 15431 Haney Rd., South Holland, IL (US) 60473; **Richard Bergschneider**, 15431 Haney Rd., South Holland, IL (US) 60473

(\*\*) Term: **14 Years**

(21) Appl. No.: **29/325,188**

(22) Filed: **Sep. 26, 2008**

(51) **LOC (9) Cl.** ..... **30-04**

(52) **U.S. Cl.** ..... **D30/152**

(58) **Field of Classification Search** ..... D30/144, D30/145, 161, 169, 199; 199/850, 863, 856-858, 199/174, 792, 907; 224/42.11, 241, 582, 224/505; 54/44.1; D3/231; 441/127, 115, 441/55, 80, 136, 88, 106, 108

See application file for complete search history.

D383,255 S *	9/1997	Caditz .....	D30/145
D384,780 S *	10/1997	McLaughlin .....	D30/152
5,887,772 A	3/1999	Dooley	
5,901,532 A	5/1999	Bopp	
5,915,606 A *	6/1999	Jensen .....	224/148.6
D429,390 S	8/2000	Grady et al.	
D429,391 S *	8/2000	Grady et al. ....	D30/152
D450,449 S *	11/2001	Godshaw et al. ....	D3/228
6,314,915 B1 *	11/2001	Pope et al. ....	119/712
D457,988 S	5/2002	Kerrigan	
6,390,348 B1 *	5/2002	Godshaw et al. ....	224/674
6,398,092 B1 *	6/2002	Ansley .....	224/582
6,530,195 B1 *	3/2003	Summerfield .....	54/37.1
6,571,745 B2	6/2003	Kerrigan	
D480,843 S *	10/2003	Sullivan .....	D30/152
6,637,367 B1	10/2003	Dost et al.	
D482,196 S *	11/2003	Cabrera et al. ....	D3/228
6,869,219 B1 *	3/2005	Sala .....	383/37
6,912,976 B2 *	7/2005	Everett .....	119/858
7,281,363 B2 *	10/2007	Woerner .....	54/37.1

(56) **References Cited**

**U.S. PATENT DOCUMENTS**

199,067 A *	1/1878	Hoff .....	224/199
501,821 A *	7/1893	Browne .....	224/582
554,843 A	2/1896	Smoot	
893,199 A *	7/1908	Schaller .....	54/37.1
3,349,978 A *	10/1967	Little et al. ....	224/247
4,530,309 A *	7/1985	Collins .....	119/863
4,644,902 A *	2/1987	Doyle .....	119/497
D292,847 S *	11/1987	Barker .....	D3/231
4,747,527 A *	5/1988	Trumpower, II .....	224/662
4,923,105 A *	5/1990	Snyder .....	224/255
D313,677 S	1/1991	Hammon et al.	
5,004,136 A *	4/1991	Leath .....	224/148.5
5,184,762 A	2/1993	Nevitt	
5,201,448 A *	4/1993	Schue .....	224/675
D350,849 S *	9/1994	Dancyger .....	D3/228
5,501,379 A *	3/1996	Munoz .....	224/240
5,560,321 A *	10/1996	Hess .....	119/858
5,586,521 A *	12/1996	Kelley .....	119/858
5,632,235 A	5/1997	Larsen et al.	
5,644,902 A *	7/1997	Kemp .....	54/37.1

(Continued)

*Primary Examiner*—Susan Moon Lee  
(74) *Attorney, Agent, or Firm*—Kyle Fletcher

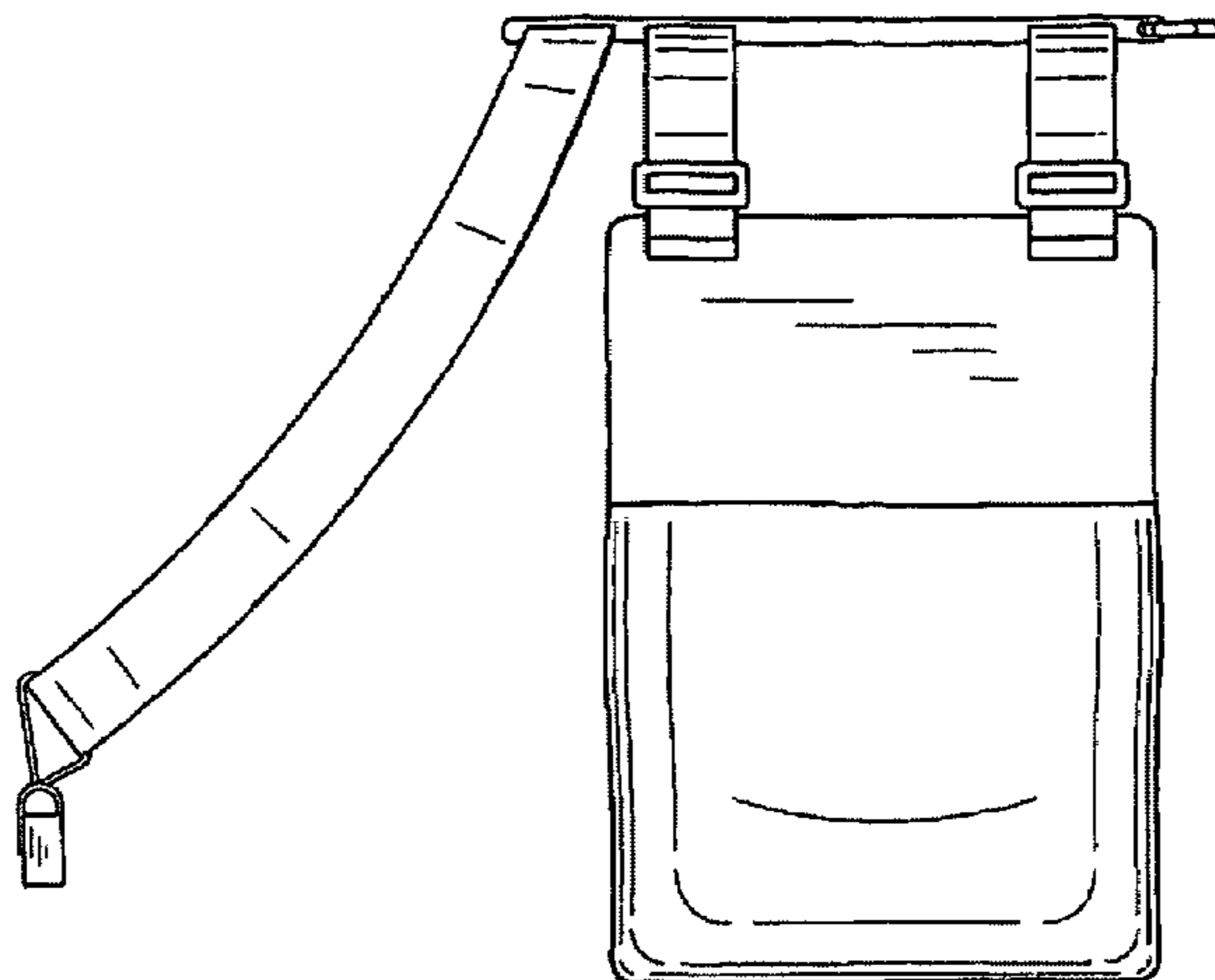
(57) **CLAIM**

We claim the ornamental design for a tool carrying harness worn by pets, as shown and described.

**DESCRIPTION**

FIG. 1 is a left view of the tool carrying harness worn by pets. FIG. 2 is a right view of the device. FIG. 3 is a front view of the device. FIG. 4 is a rear view of the device. FIG. 5 is a top view of the device; and, FIG. 6 is a bottom view of the device.

**1 Claim, 3 Drawing Sheets**



# US D611,663 S

Page 2

---

U.S. PATENT DOCUMENTS			
7,370,608	B1 *	5/2008	Friedman ..... 119/850
2003/0079695	A1 *	5/2003	Kerrigan ..... 119/858
2006/0037562	A1 *	2/2006	Woerner ..... 119/856
2006/0254534	A1 *	11/2006	Lin ..... 119/792
2007/0107672	A1 *	5/2007	Von Czenkow ..... 119/859
2007/0113798	A1 *	5/2007	Torjesen ..... 119/725

\* cited by examiner

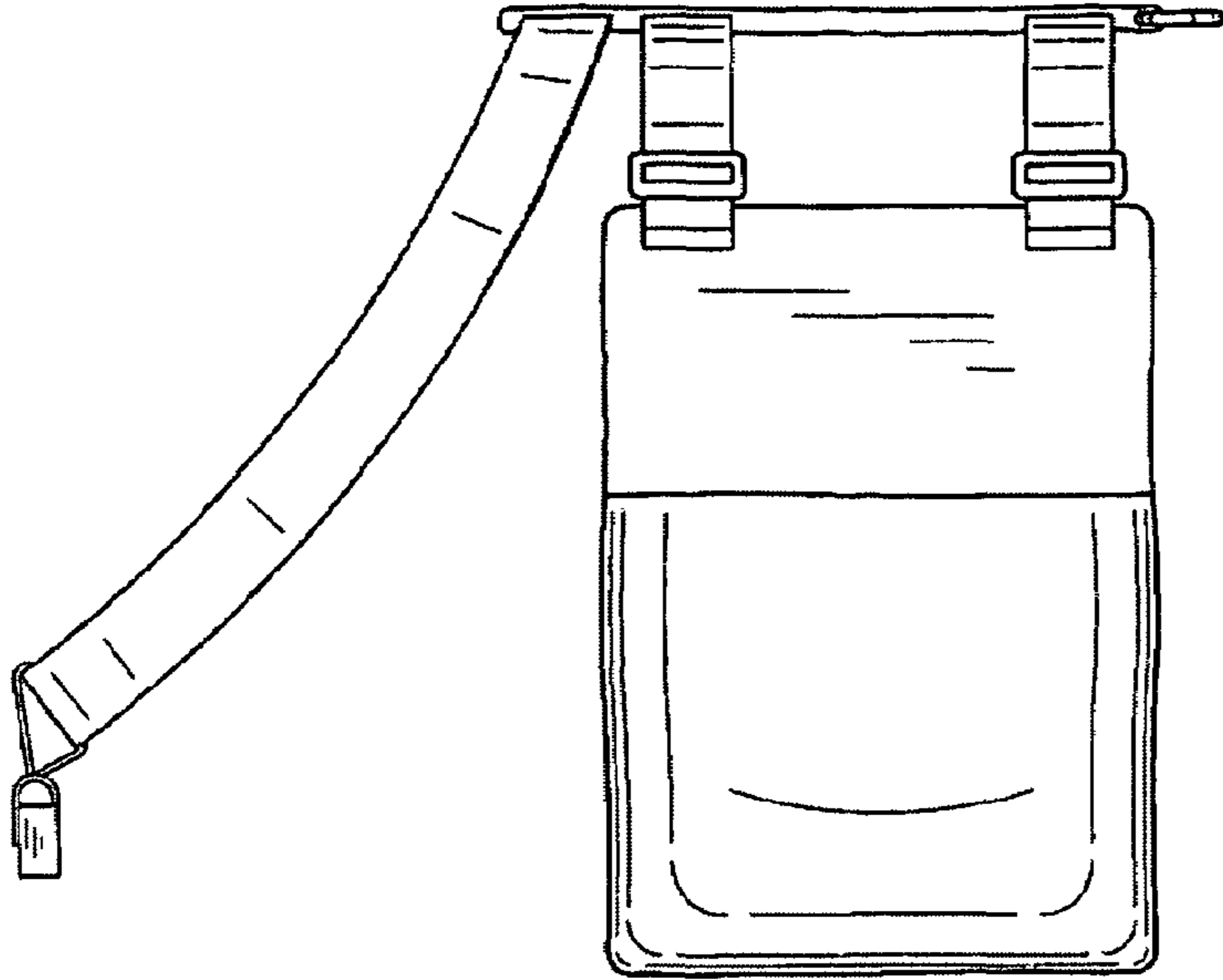


FIG. 1

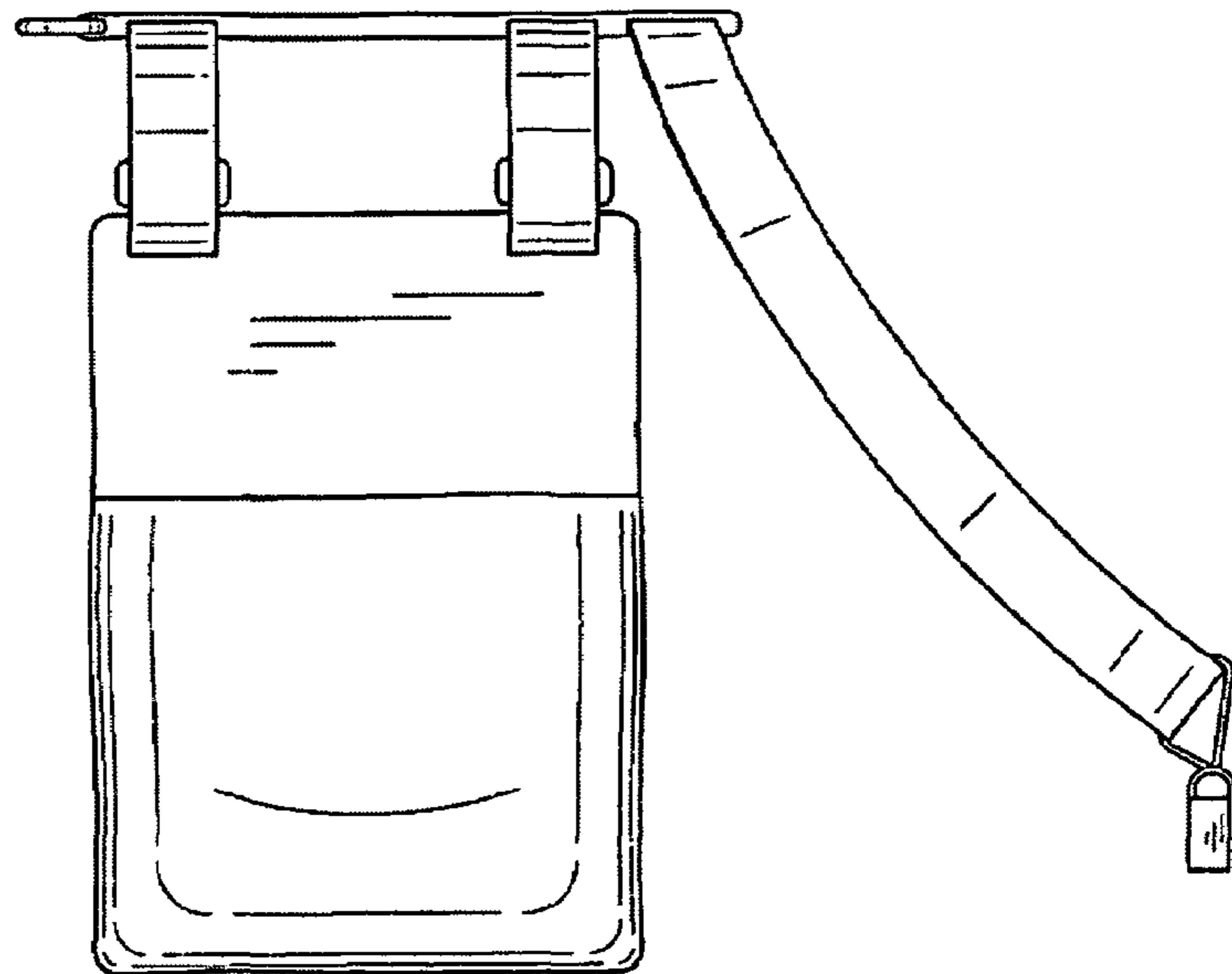


FIG. 2

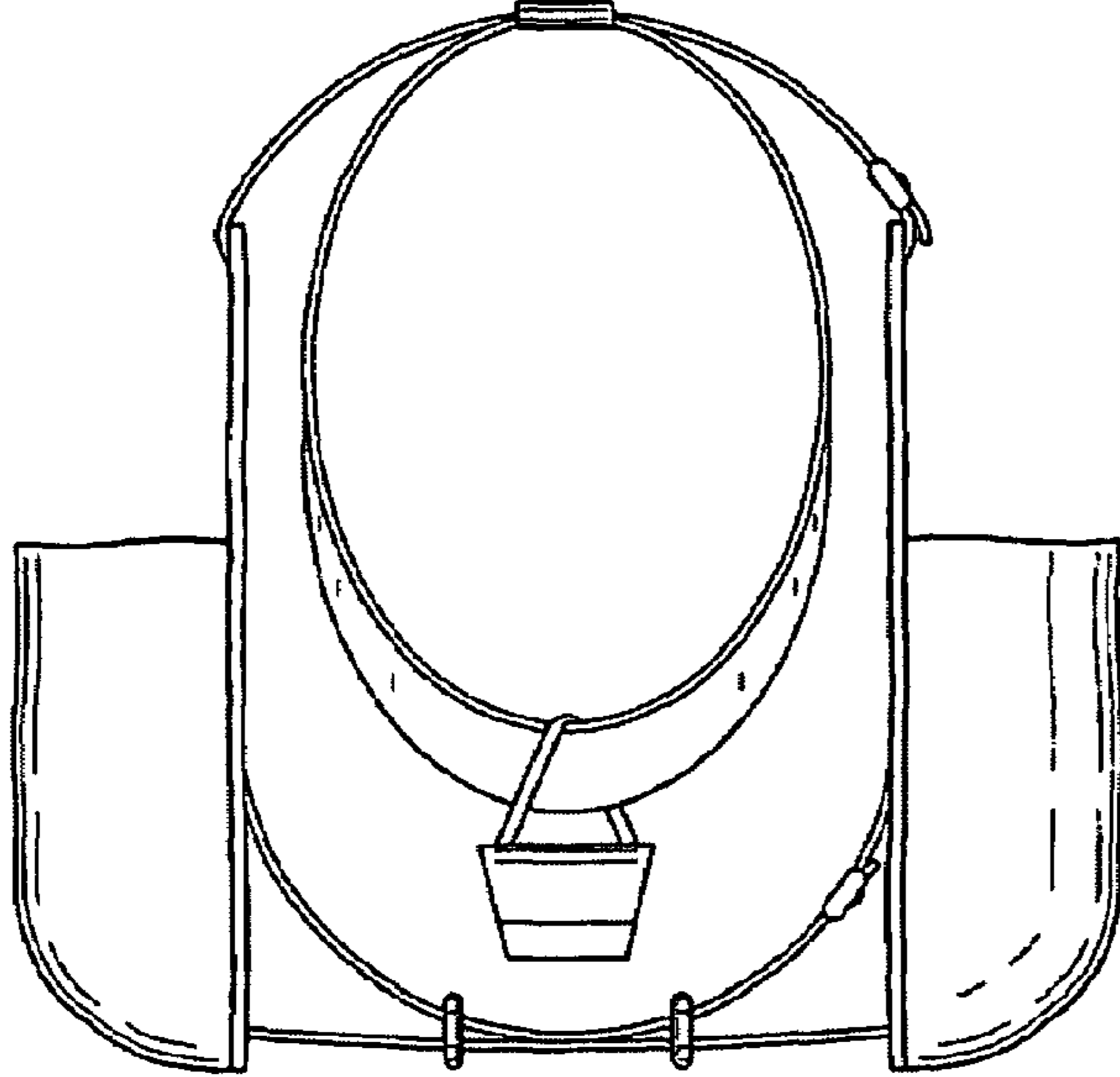


FIG. 3

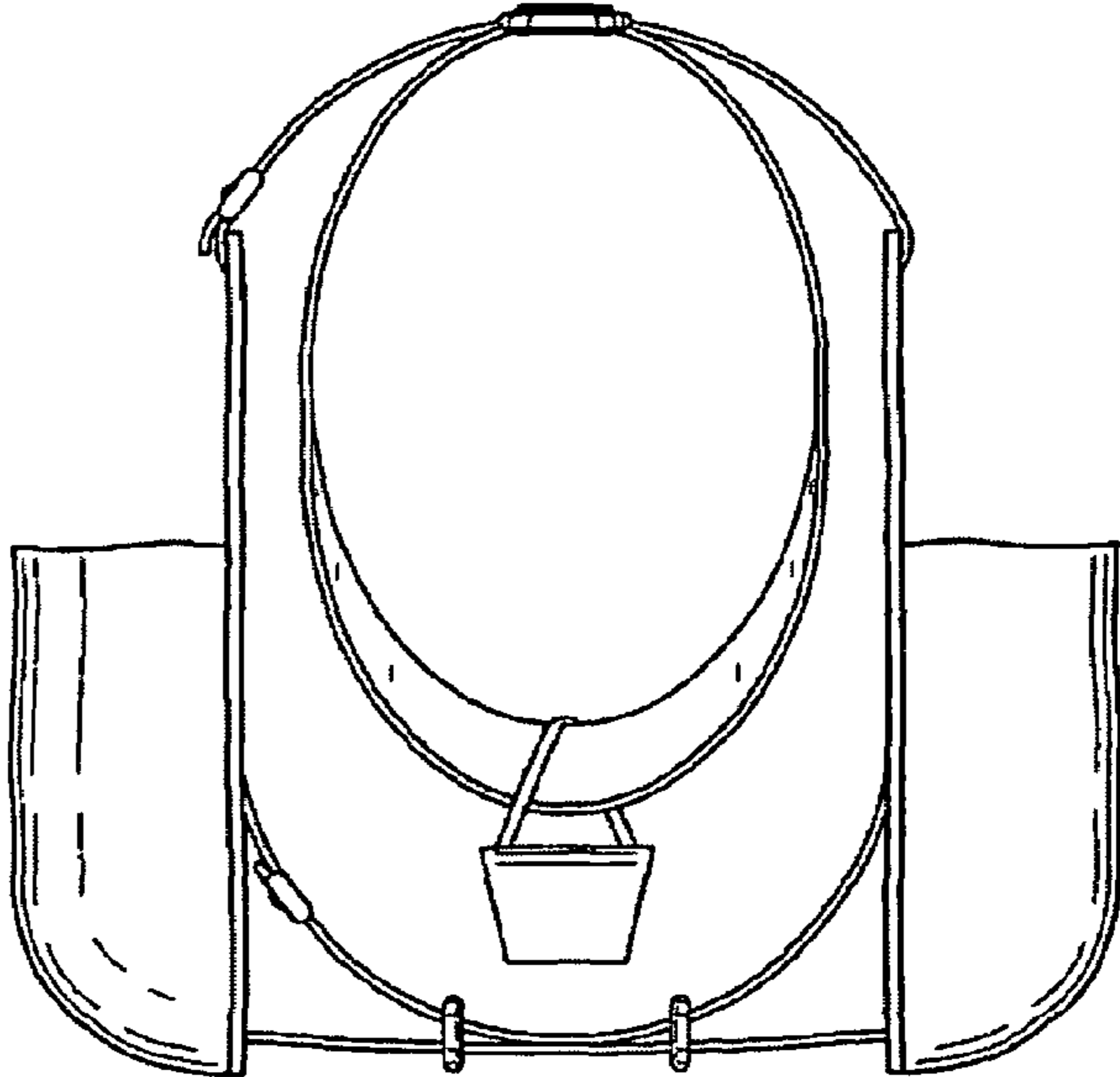


FIG. 4

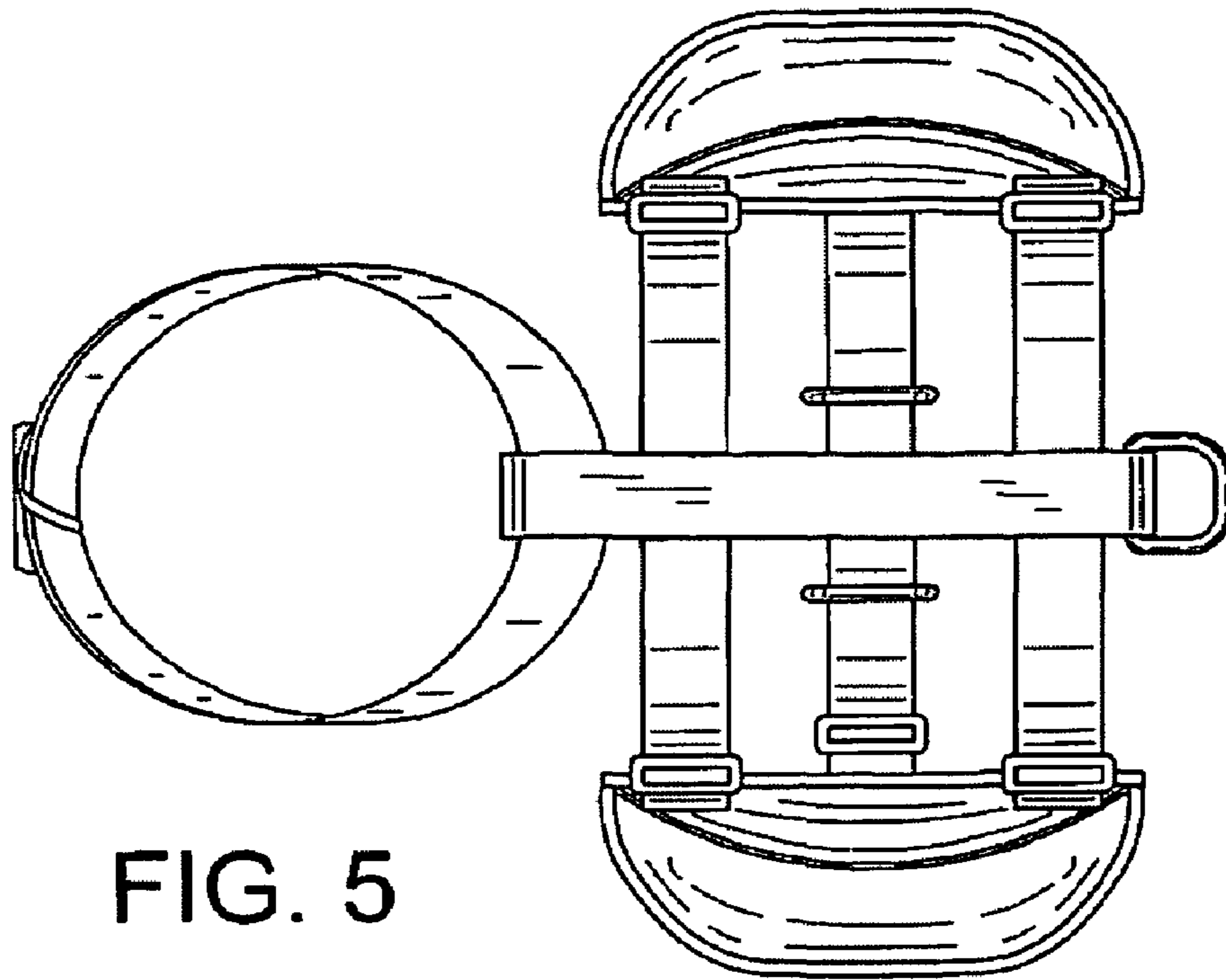


FIG. 5

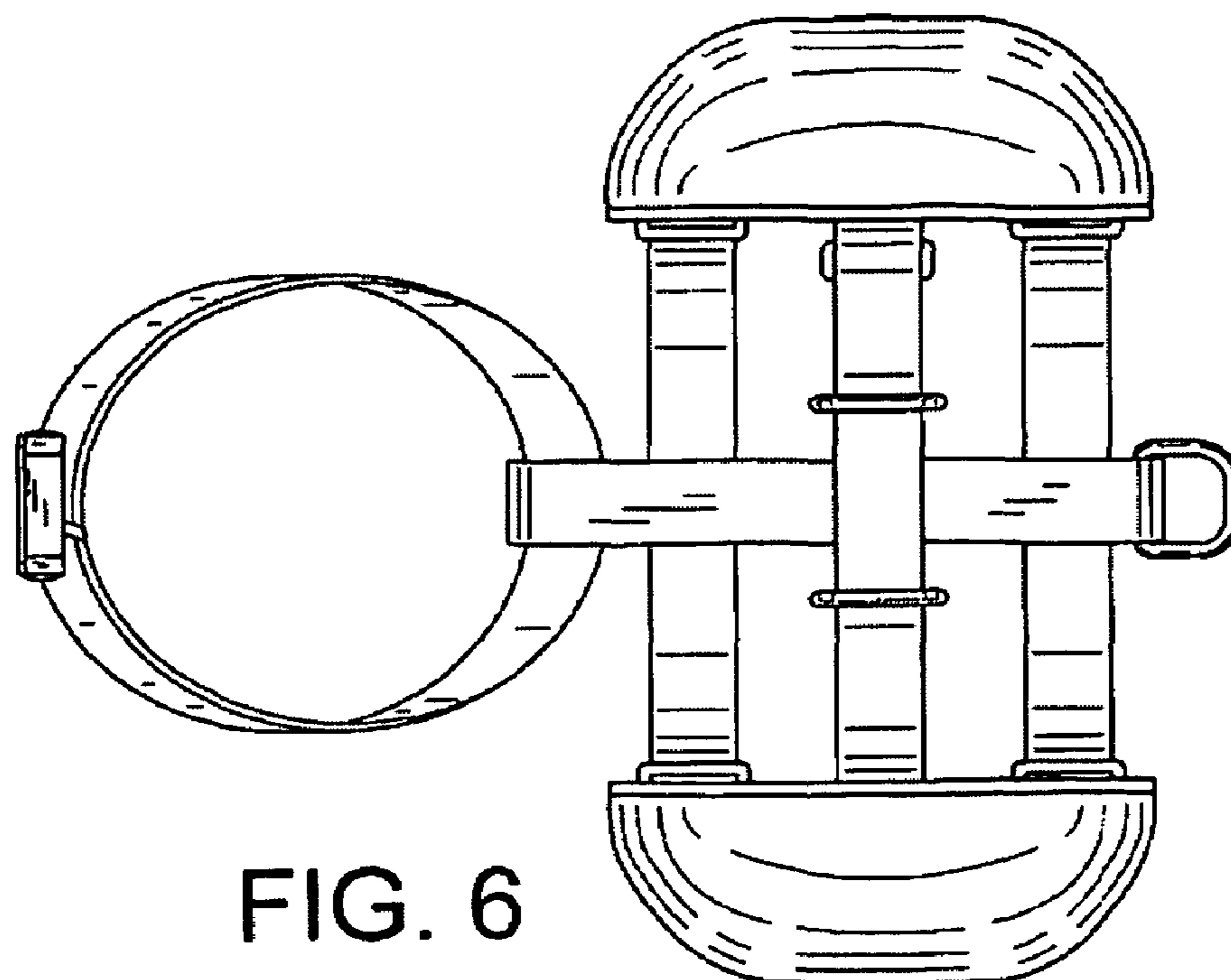


FIG. 6