

US00D611662S

(12) **United States Design Patent**
Vosbikian

(10) **Patent No.:** **US D611,662 S**
(45) **Date of Patent:** **** Mar. 9, 2010**

(54) **BIRD FEED TRAY**

2,978,285 A * 4/1961 Jester 312/284
D198,096 S * 4/1964 Rosenthal et al. D7/505

(75) Inventor: **Peter S. Vosbikian**, Moorestown, NJ
(US)

(Continued)

(73) Assignee: **Zenith Innovation, LLC**, Delran, NJ
(US)

OTHER PUBLICATIONS

(**) Term: **14 Years**

Outdoor Seasons Perky Pet Catalogue Oct. 2006, p. 1—“Sunflower Hummingbird Feeder” (1 page).*

(21) Appl. No.: **29/314,627**

Primary Examiner—Susan Moon Lee

(22) Filed: **Apr. 15, 2009**

(74) *Attorney, Agent, or Firm*—Stuart M. Goldstein

(51) **LOC (9) Cl.** **30-03**

(57) **CLAIM**

(52) **U.S. Cl.** **D30/128**

The ornamental design for a bird feed tray, as shown and described.

(58) **Field of Classification Search** D30/121,
D30/124, 126–129, 133, 199; 119/52.2,
119/51.5, 61.5, 57.8, 57.9, 52.3, 61.1, 531,
119/63; 47/67, 83; 248/318; D11/164, 152
See application file for complete search history.

DESCRIPTION

(56) **References Cited**

FIG. 1 is an isometric view of a bird feed tray of the present invention as it would be installed beneath a pole mounted bird feeder.

U.S. PATENT DOCUMENTS

FIG. 2 is a top isometric view of the bird feed tray of the present invention.

- 574,380 A * 1/1897 Bradley 312/135
- D67,011 S * 4/1925 Clarke D7/557
- 1,570,651 A * 1/1926 Topping et al. 108/94
- 1,575,101 A * 3/1926 Edwards 119/468
- D72,702 S * 5/1927 Farber D7/546
- 1,749,497 A * 3/1930 McGlashan 119/61.1
- 1,841,494 A * 1/1932 Mears 426/283
- D97,548 S * 11/1935 Davis D6/451
- 2,081,856 A * 5/1937 Frick 211/131.1
- 2,082,088 A * 6/1937 Wilson 211/34
- 2,101,401 A * 12/1937 Leppke 220/23.83
- 2,289,212 A * 7/1942 Rinnela 211/131.1
- D149,046 S * 3/1948 Blumenthal et al. D7/501
- 2,475,207 A * 7/1949 Smith 119/52.2
- D155,949 S * 11/1949 Wiley et al. D7/501
- 2,491,014 A * 12/1949 Parker 119/72
- D160,688 S * 10/1950 Brock D7/501
- 2,750,051 A * 6/1956 Wassell 108/103
- D179,527 S * 1/1957 Rubin D6/451
- 2,781,651 A * 2/1957 Cutler 248/346.11
- 2,951,610 A * 9/1960 Smalley, Jr. 220/575

FIG. 3 is a top view of the bird feed tray of the present invention.

FIG. 4 is a bottom view of the bird feed tray of the present invention.

FIG. 5 is a front view of the bird feed tray of the present invention.

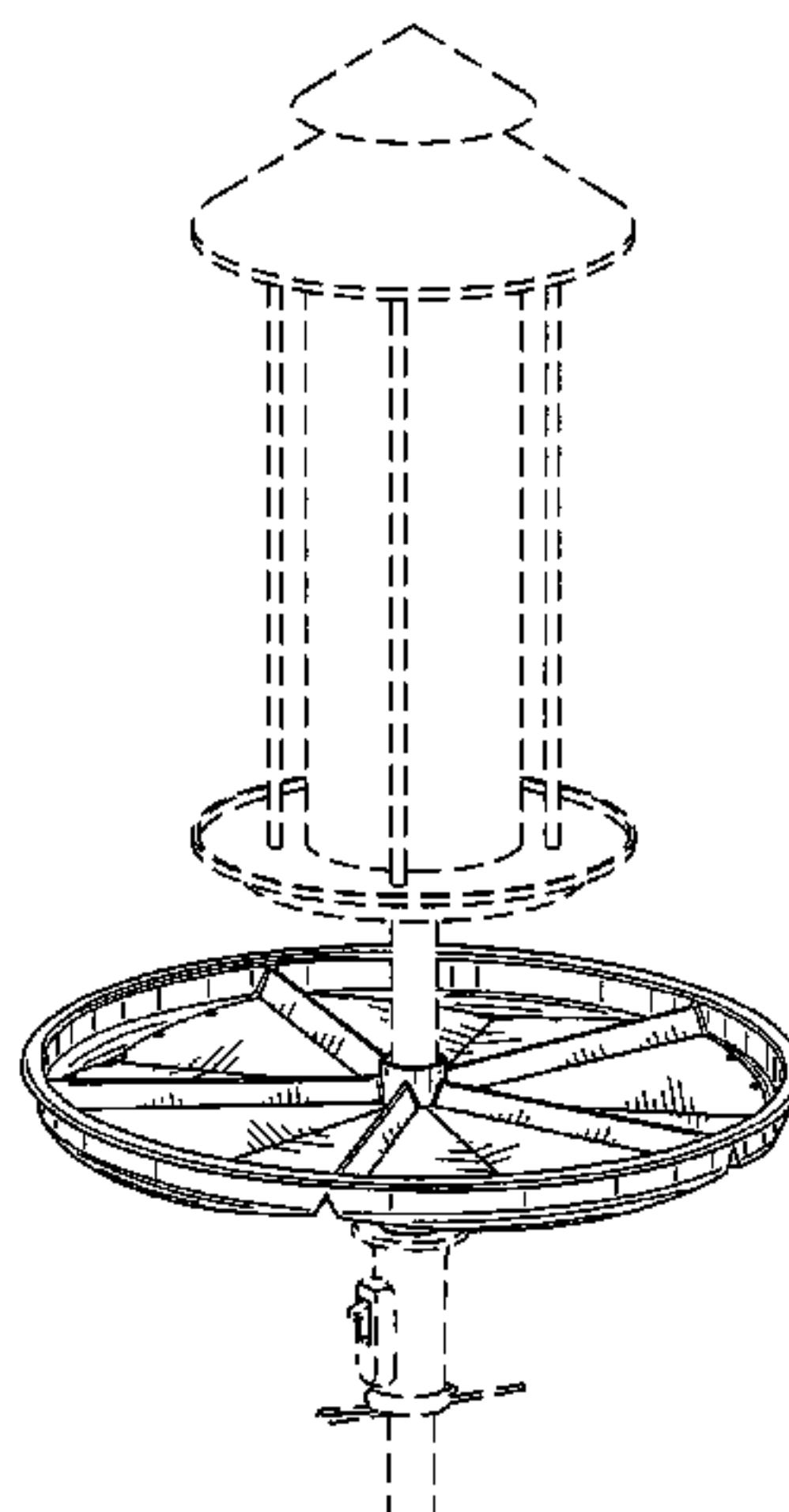
FIG. 6 is a rear view of the bird feed tray of the present invention.

FIG. 7 is a right side view of the bird feed tray of the present invention; and,

FIG. 8 is a left side view of the bird feed tray of the present invention.

The elements in broken line are environmentally illustrative and are not claimed.

1 Claim, 5 Drawing Sheets



US D611,662 S

Page 2

U.S. PATENT DOCUMENTS

D199,942	S *	12/1964	Tintary	D6/461	5,171,077	A *	12/1992	Jondahl et al.	312/249.3
D200,117	S *	1/1965	Kolarik	D7/590	D336,216	S *	6/1993	Rohrbeck	D7/553.6
3,282,439	A *	11/1966	Vitale	211/131.1	5,279,429	A *	1/1994	Sagel	211/131.1
3,398,827	A *	8/1968	Laskin	206/499	5,287,973	A *	2/1994	Bankier	211/113
3,414,133	A *	12/1968	Guerra et al.	211/107	D352,204	S *	11/1994	Hayes et al.	D7/553.6
D216,713	S *	3/1970	Buchwach	D6/457	D354,869	S *	1/1995	Salyer	D6/457
D221,883	S *	9/1971	Cash	D7/553.6	5,458,243	A *	10/1995	McBride	206/503
D226,776	S *	4/1973	Mider	D7/557	5,588,395	A *	12/1996	Lee	119/72
D230,001	S *	1/1974	Wright	D7/553.6	D399,348	S *	10/1998	Dancyger	D3/313
3,811,594	A *	5/1974	Paulucci	220/575	D401,810	S *	12/1998	Swift	D7/553.6
D233,709	S *	11/1974	Williams	D6/460	D402,430	S *	12/1998	Dudley	D30/128
3,901,192	A *	8/1975	Adams	119/57.9	D407,920	S *	4/1999	Duffield	D6/461
D237,762	S *	11/1975	Hendry	D6/457	D408,231	S *	4/1999	Bohn	D8/1
D237,915	S *	12/1975	McLenaar	D6/457	5,894,944	A *	4/1999	Swift	211/78
3,951,079	A *	4/1976	Tolleson	108/94	5,918,415	A *	7/1999	Locke et al.	47/79
D240,384	S *	7/1976	Rumber et al.	D6/457	5,960,982	A *	10/1999	Perlis et al.	220/574
3,986,244	A *	10/1976	Latanzi	29/407.04	D420,854	S *	2/2000	Michaeli	D7/553.6
3,999,519	A *	12/1976	Rodemeyer	119/475	D427,732	S *	7/2000	Corletta	D30/124
4,006,559	A *	2/1977	Carlyon, Jr.	47/39	6,196,400	B1 *	3/2001	Alneng	211/144
D244,786	S *	6/1977	Dryden	D30/128	D460,897	S *	7/2002	Leuenberger	D7/553.8
4,181,037	A *	1/1980	Boon et al.	74/569	D480,581	S *	10/2003	Searer	D6/455
4,273,393	A *	6/1981	Foley et al.	312/97.1	D496,831	S *	10/2004	Strahota et al.	D7/600.3
D260,464	S *	9/1981	Alexander	D6/455	6,883,887	B1 *	4/2005	Mogensen	312/408
4,453,326	A *	6/1984	Hoffman et al.	40/377	D511,273	S *	11/2005	Hadeler	D7/553.6
4,486,640	A *	12/1984	Bowen et al.	219/729	6,971,613	B2 *	12/2005	Shendelman	248/150
D277,703	S *	2/1985	Kilham	D30/128	D523,184	S *	6/2006	Colvin et al.	D30/128
4,501,201	A *	2/1985	Fitzner et al.	108/27	7,100,793	B2 *	9/2006	Baum	221/15
4,549,664	A *	10/1985	Gowan et al.	211/131.1	D541,993	S *	5/2007	Colvin et al.	D30/128
D292,953	S *	12/1987	Cave	D6/405	D546,128	S *	7/2007	Carlson	D7/554.2
4,736,856	A *	4/1988	Alneng et al.	211/131.1	D561,539	S *	2/2008	Snider et al.	D7/600.2
D303,750	S *	10/1989	Inglis	D8/1	D564,712	S *	3/2008	Cole et al.	D30/131
D307,088	S *	4/1990	Frieden, Jr.	D6/570	D573,847	S *	7/2008	Bizzell et al.	D7/629
4,989,419	A *	2/1991	Brando et al.	62/457.2	7,523,833	B2 *	4/2009	Zipeto et al.	211/78
D325,483	S *	4/1992	Muhlack	D6/472	D592,017	S *	5/2009	Bizzell	D7/629
						2007/0062965	A1 *	3/2007	Anderson et al.	220/912

* cited by examiner

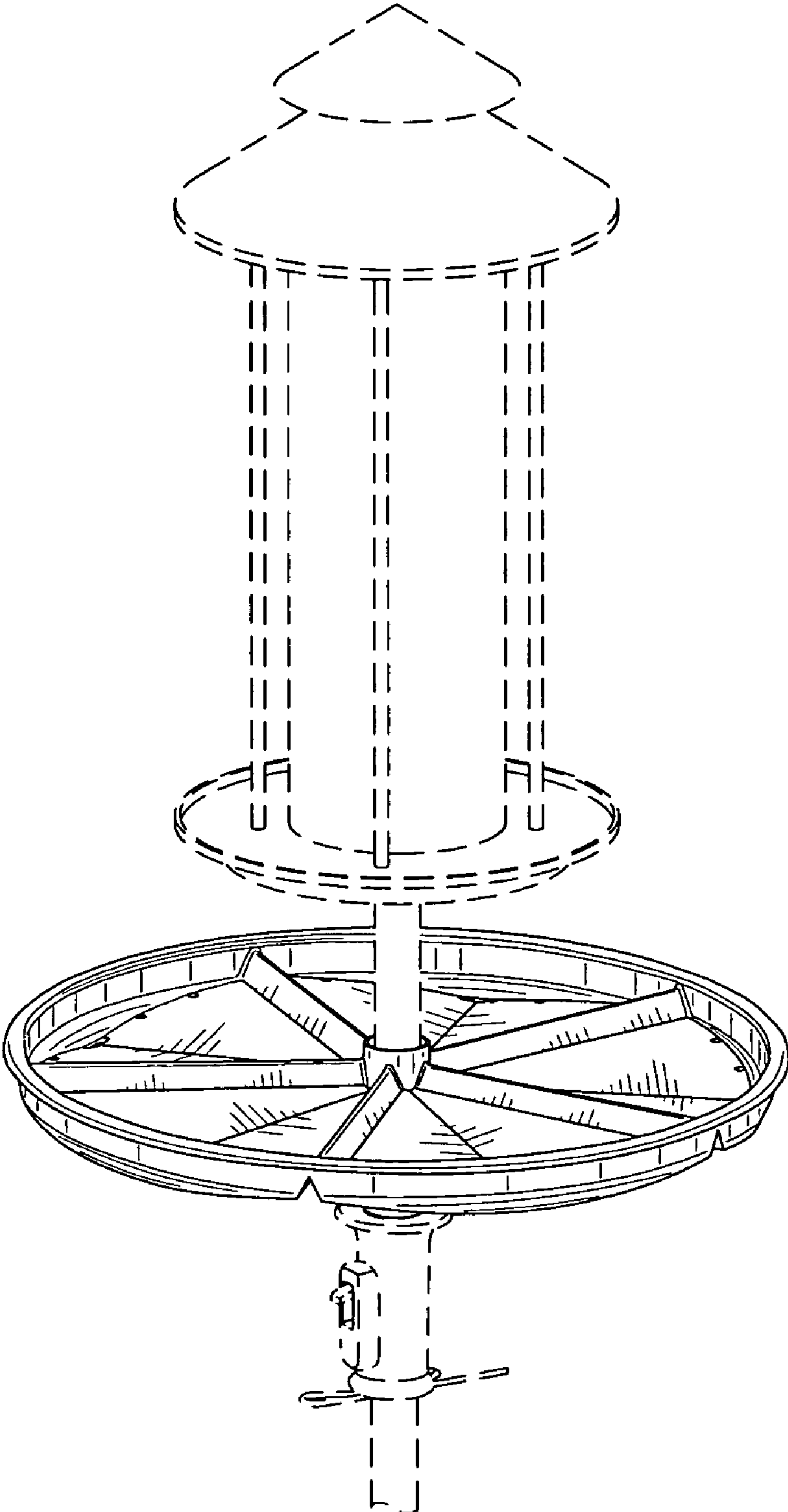


FIG. 1

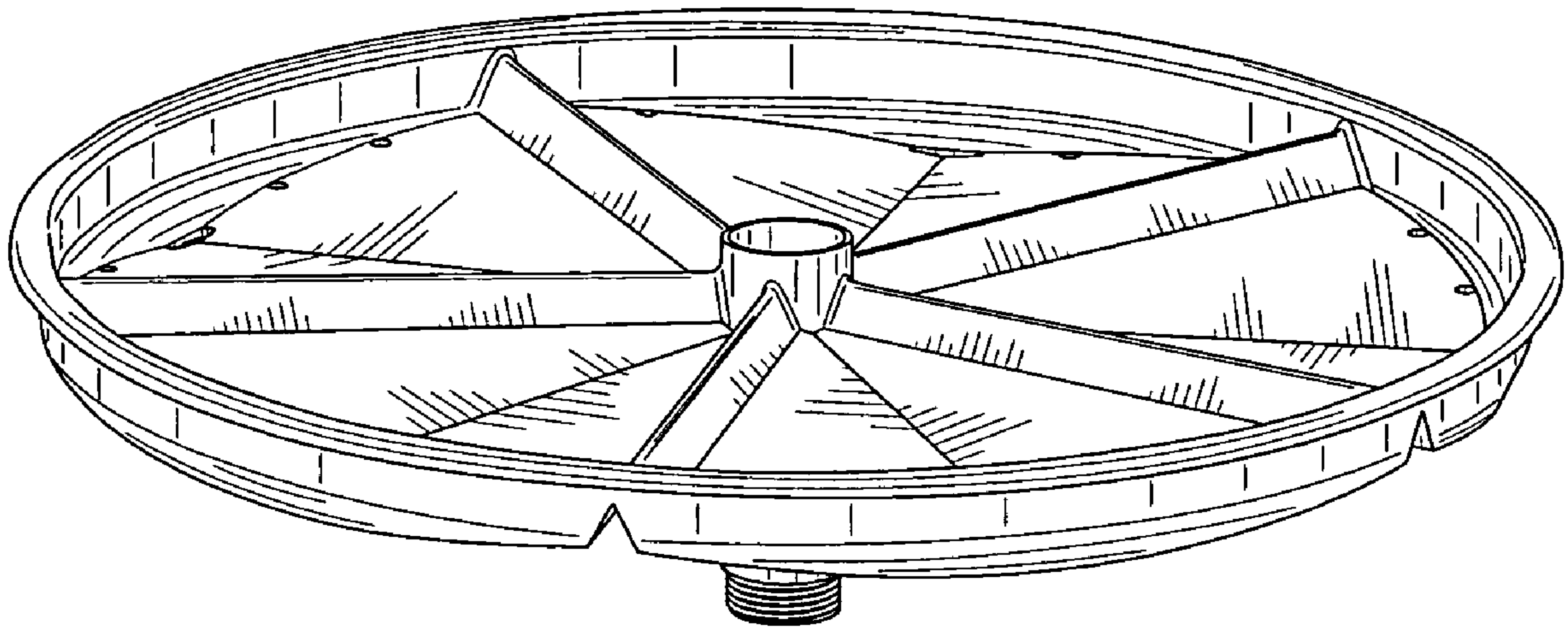


FIG. 2

FIG. 3

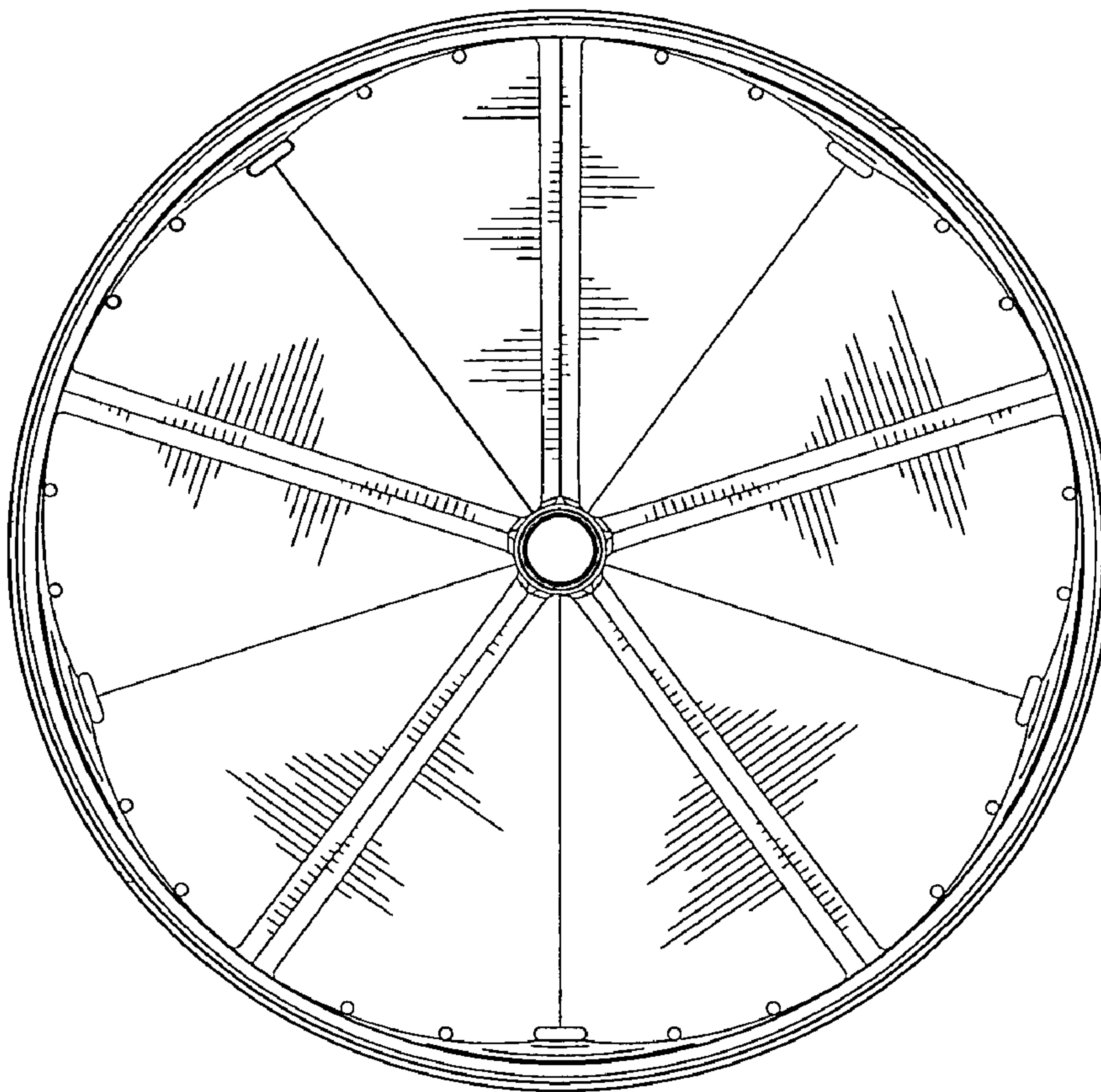
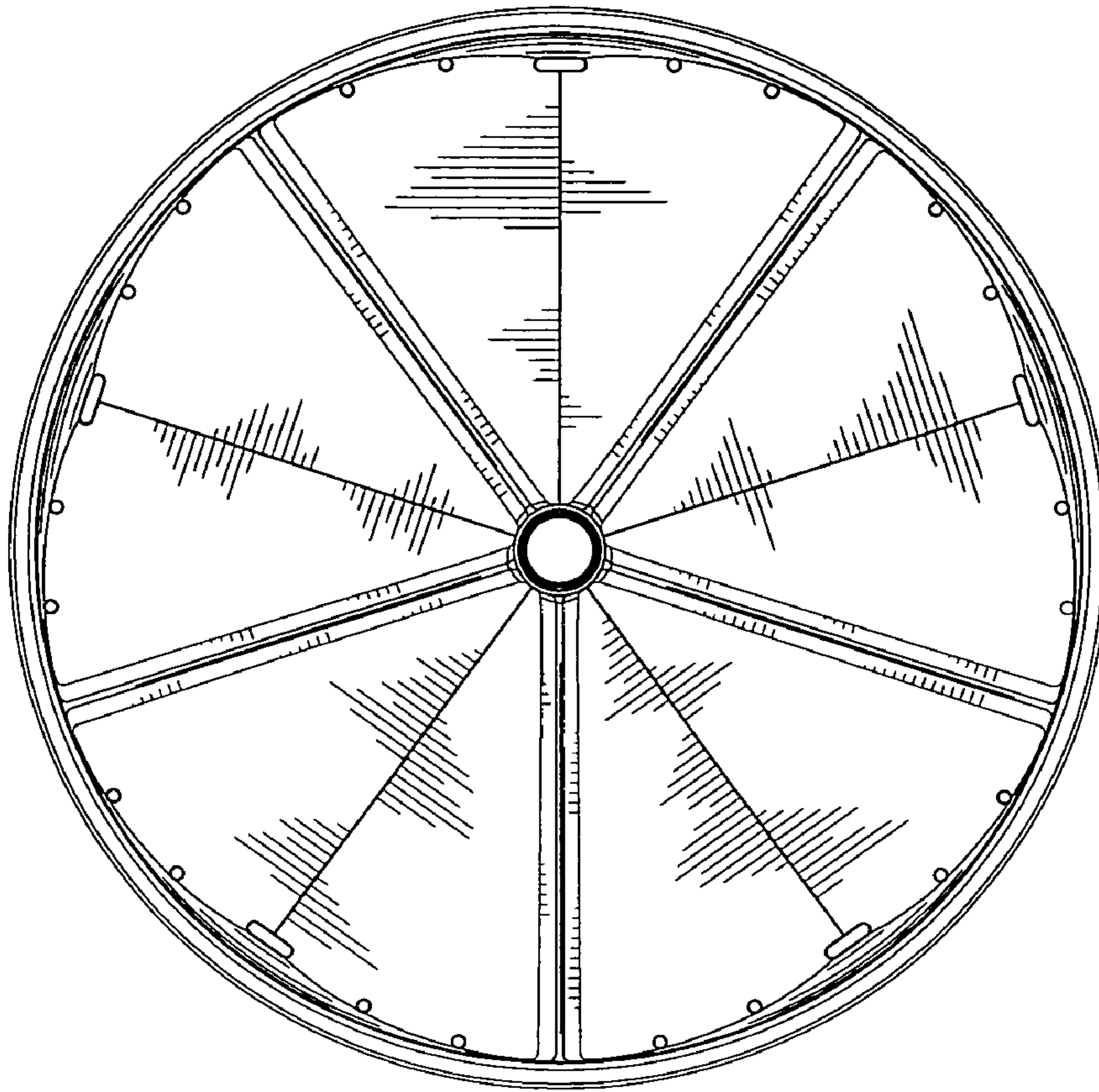


FIG. 4

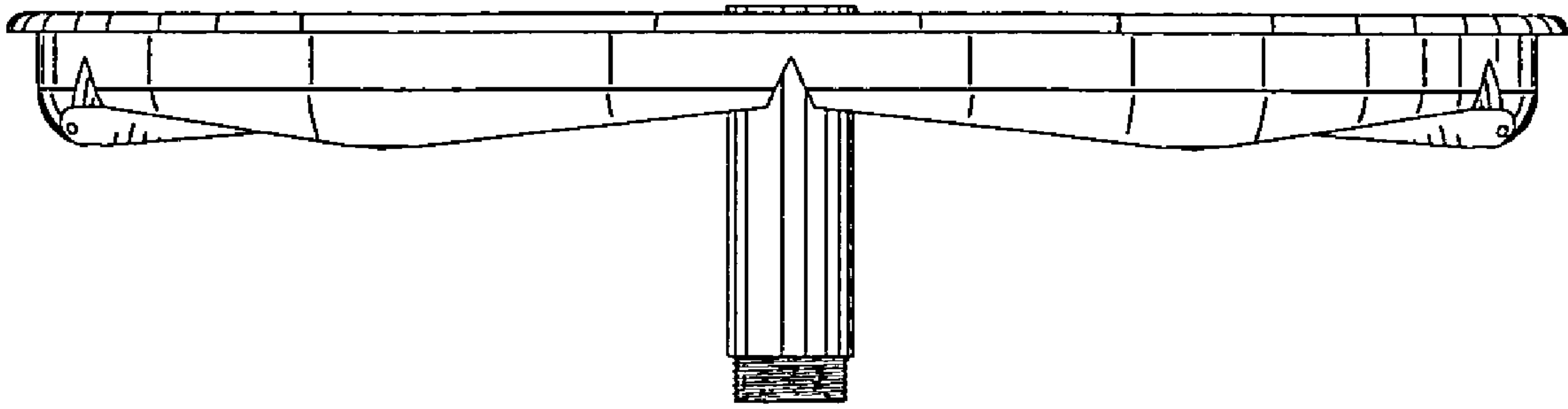


FIG. 5

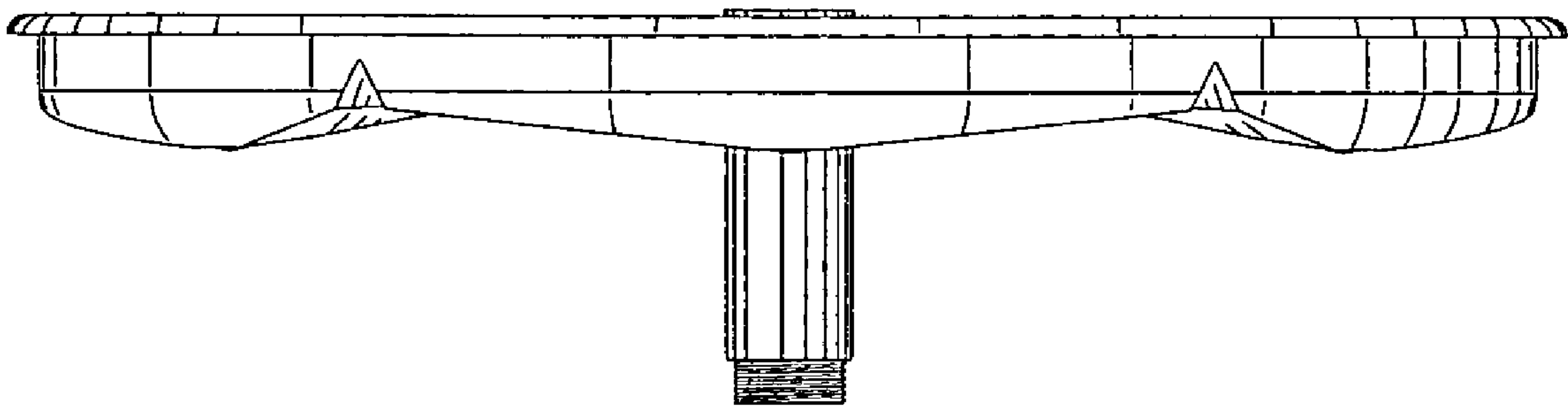


FIG. 6

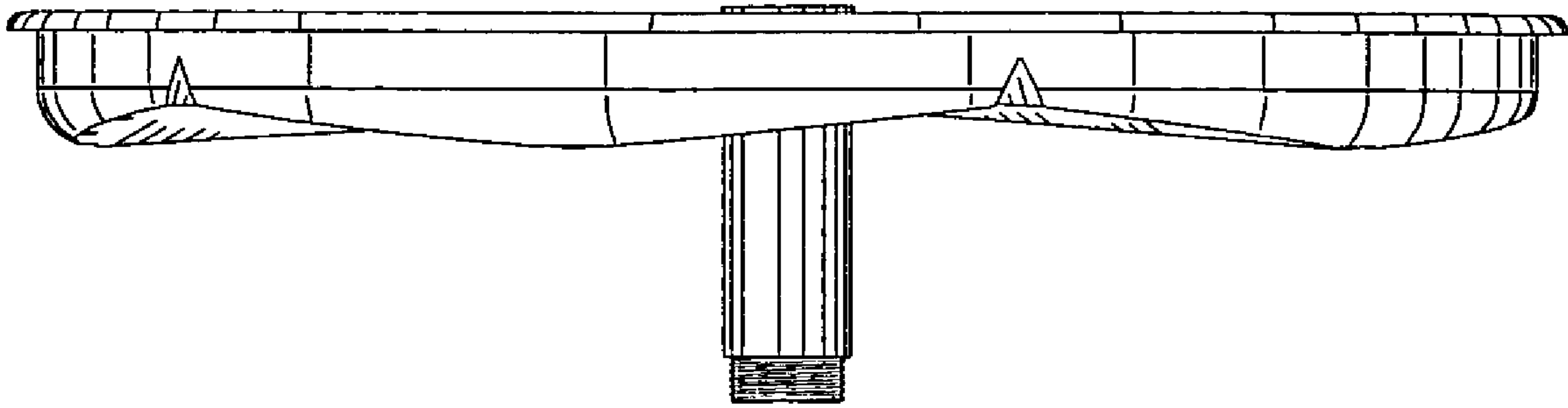


FIG. 7

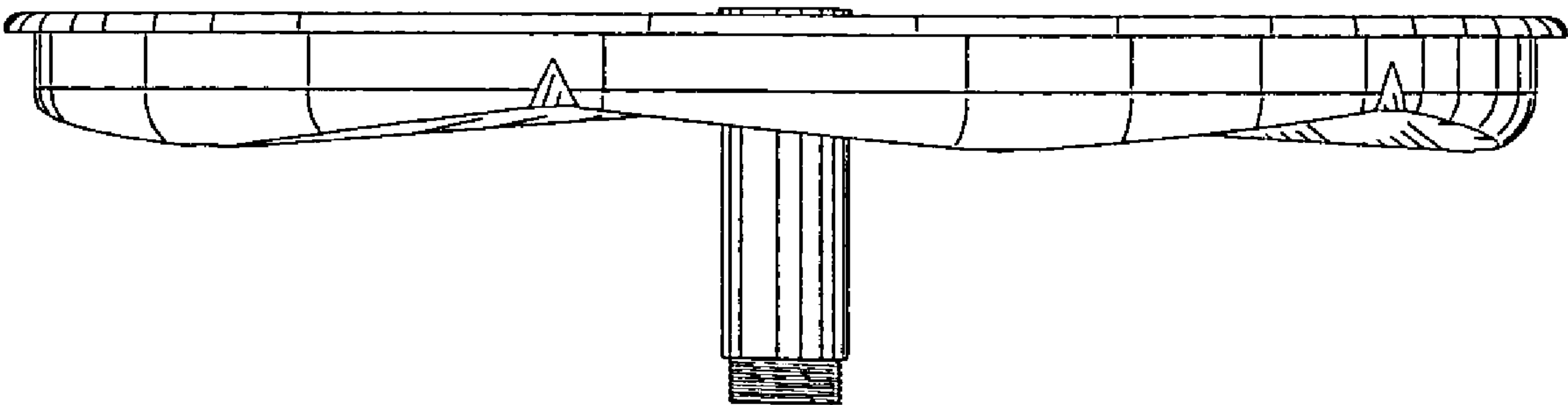


FIG. 8