



US00D611659S

(12) **United States Design Patent**  
**Isobe**

(10) **Patent No.:** **US D611,659 S**  
(45) **Date of Patent:** **\*\* Mar. 9, 2010**

(54) **SHIELD FOR HELMET**

(75) Inventor: **Eiji Isobe**, Abiko (JP)

(73) Assignee: **Shoei Co., Ltd.**, Tokyo (JP)

(\*\*) Term: **14 Years**

(21) Appl. No.: **29/327,135**

(22) Filed: **Oct. 31, 2008**

(51) **LOC (9) Cl.** ..... **09-03**

(52) **U.S. Cl.** ..... **D29/122**

(58) **Field of Classification Search** ..... D29/102-110,  
D29/122; 2/410-414, 416-425, 5, 6.1-6.7,  
2/15, 171.3, 7

See application file for complete search history.

(56) **References Cited**

**U.S. PATENT DOCUMENTS**

D341,230	S	*	11/1993	Kamata	.....	D29/107
D370,310	S	*	5/1996	Reuber et al.	.....	D29/110
D376,674	S	*	12/1996	Kamata	.....	D29/107
D380,873	S	*	7/1997	Reuber	.....	D29/110
5,694,650	A	*	12/1997	Hong	.....	2/424
D392,073	S	*	3/1998	Lashley	.....	D29/122
D415,320	S	*	10/1999	Enriquez	.....	D29/110
5,987,651	A	*	11/1999	Tanaka	.....	2/424
6,161,225	A	*	12/2000	Arai	.....	2/424
6,226,803	B1	*	5/2001	Tanaka	.....	2/424
6,405,373	B1	*	6/2002	Grau	.....	2/15
6,405,376	B1	*	6/2002	Falk et al.	.....	2/94
D492,450	S	*	6/2004	Fournier et al.	.....	D29/122
D509,029	S	*	8/2005	Fournier et al.	.....	D29/122

7,181,777	B2	*	2/2007	Choi et al.	.....	2/424
D539,988	S	*	4/2007	Crafoord et al.	.....	D29/122
D569,557	S	*	5/2008	Cho	.....	D29/122
2006/0101561	A1	*	5/2006	Kuo	.....	2/424
2006/0206995	A1	*	9/2006	Hong et al.	.....	2/424
2008/0141443	A1	*	6/2008	Arai	.....	2/424

\* cited by examiner

*Primary Examiner*—Ruth McInroy

(74) *Attorney, Agent, or Firm*—Sughrue Mion, PLLC

(57) **CLAIM**

The ornamental design for a shield for helmet, as shown and described.

**DESCRIPTION**

FIG. 1 is a front elevational view of a shield for helmet showing my new design;

FIG. 2 is a back view thereof;

FIG. 3 is a left side view thereof;

FIG. 4 is a right side view thereof;

FIG. 5 is a top plan view thereof;

FIG. 6 is a bottom view thereof;

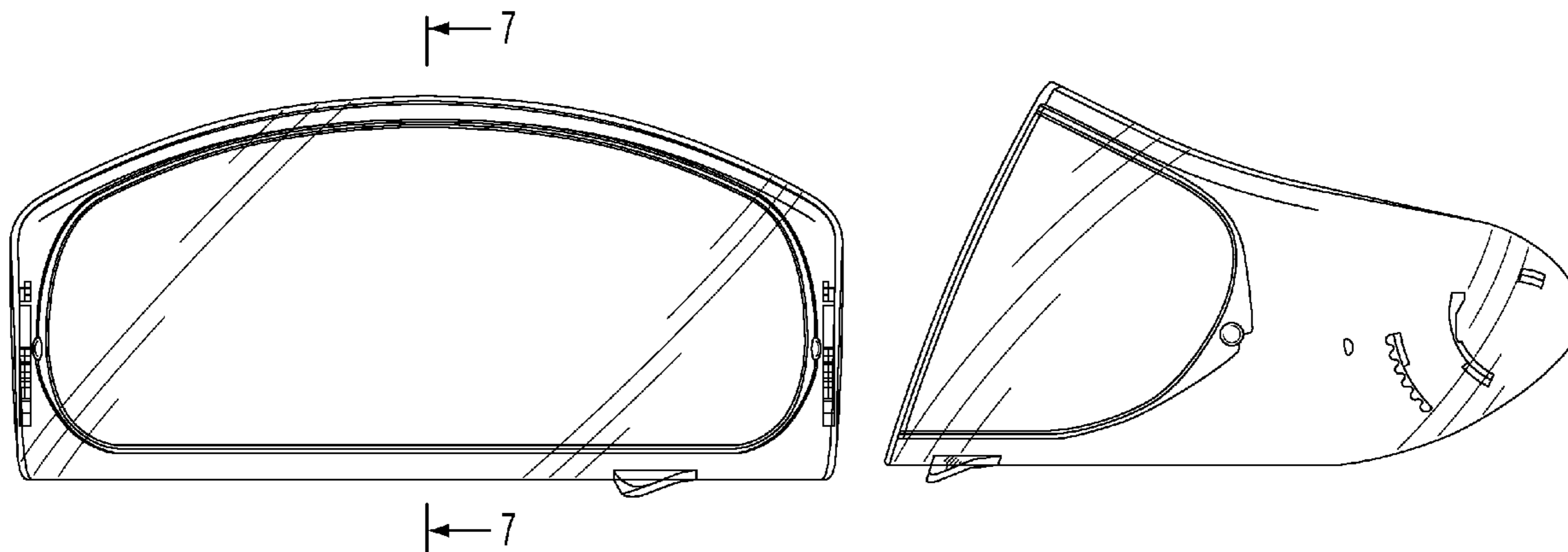
FIG. 7 is a cross sectional view taken along lines 7—7 of FIG. 1;

FIG. 8 is a perspective view of FIG. 1;

FIG. 9 is a partially enlarged view of FIG. 7; and,

FIG. 10 is a perspective view thereof, showing a partially enlarged view of FIG. 7.

**1 Claim, 5 Drawing Sheets**



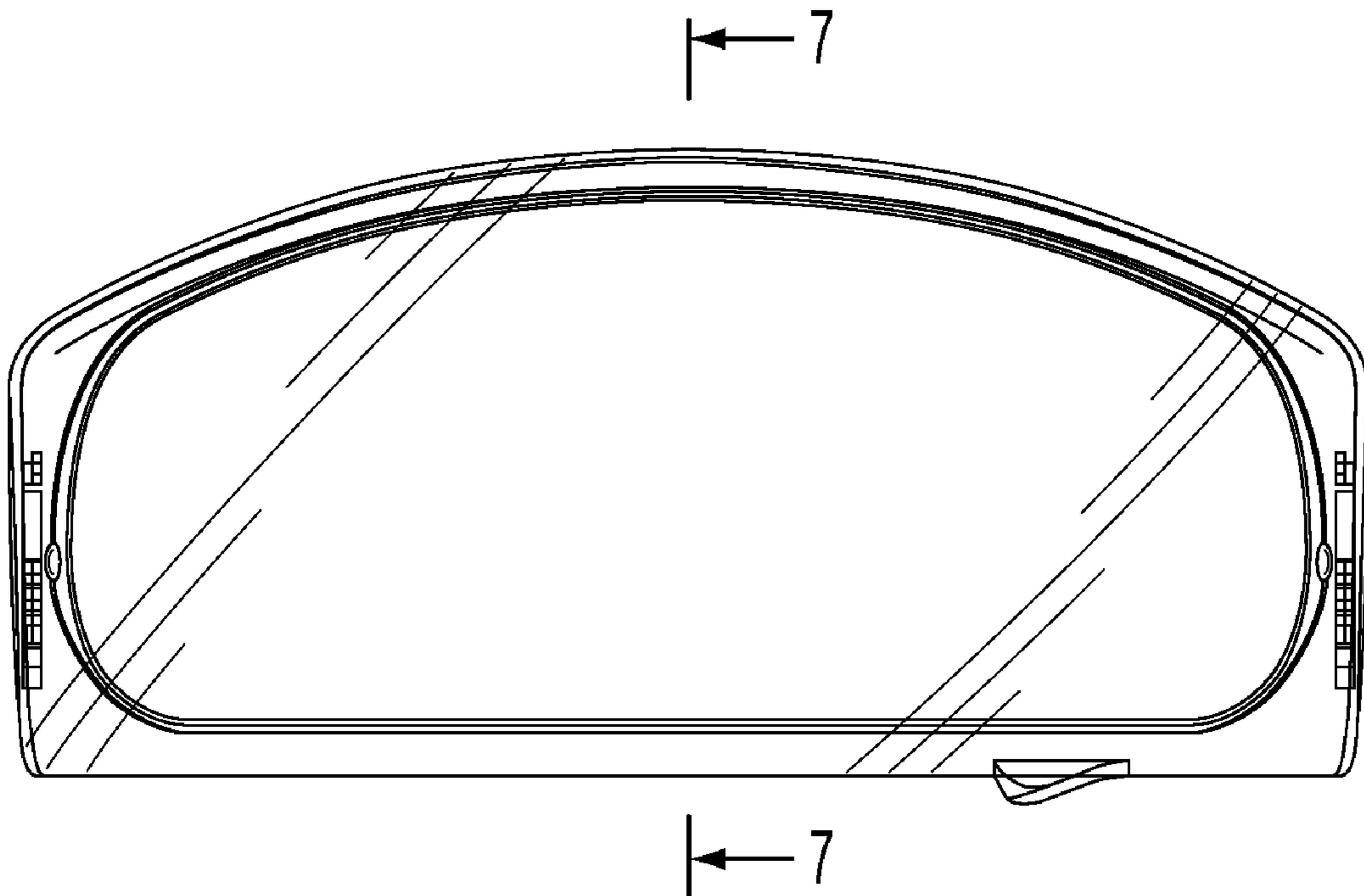


FIG. 1

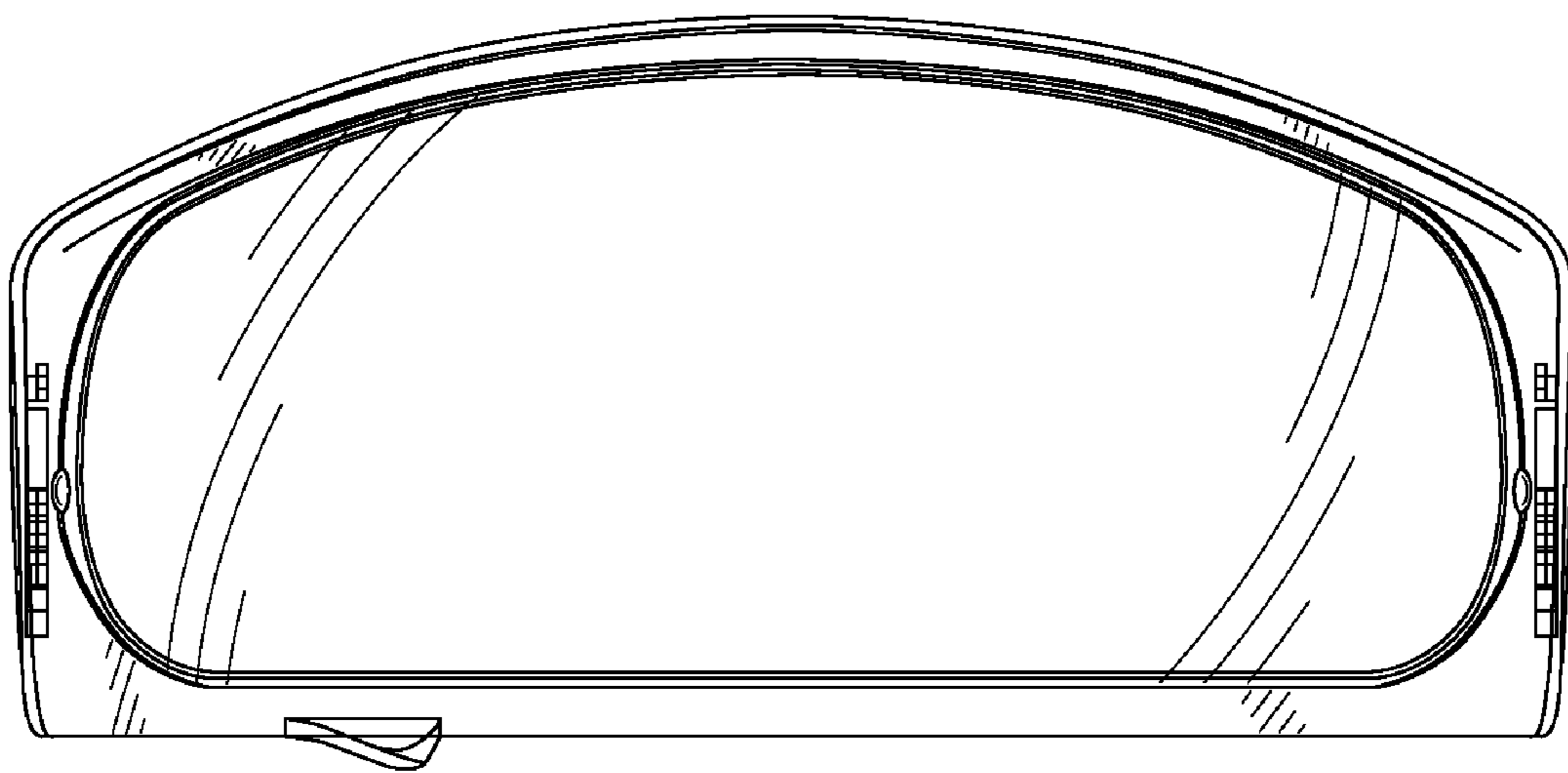


FIG. 2

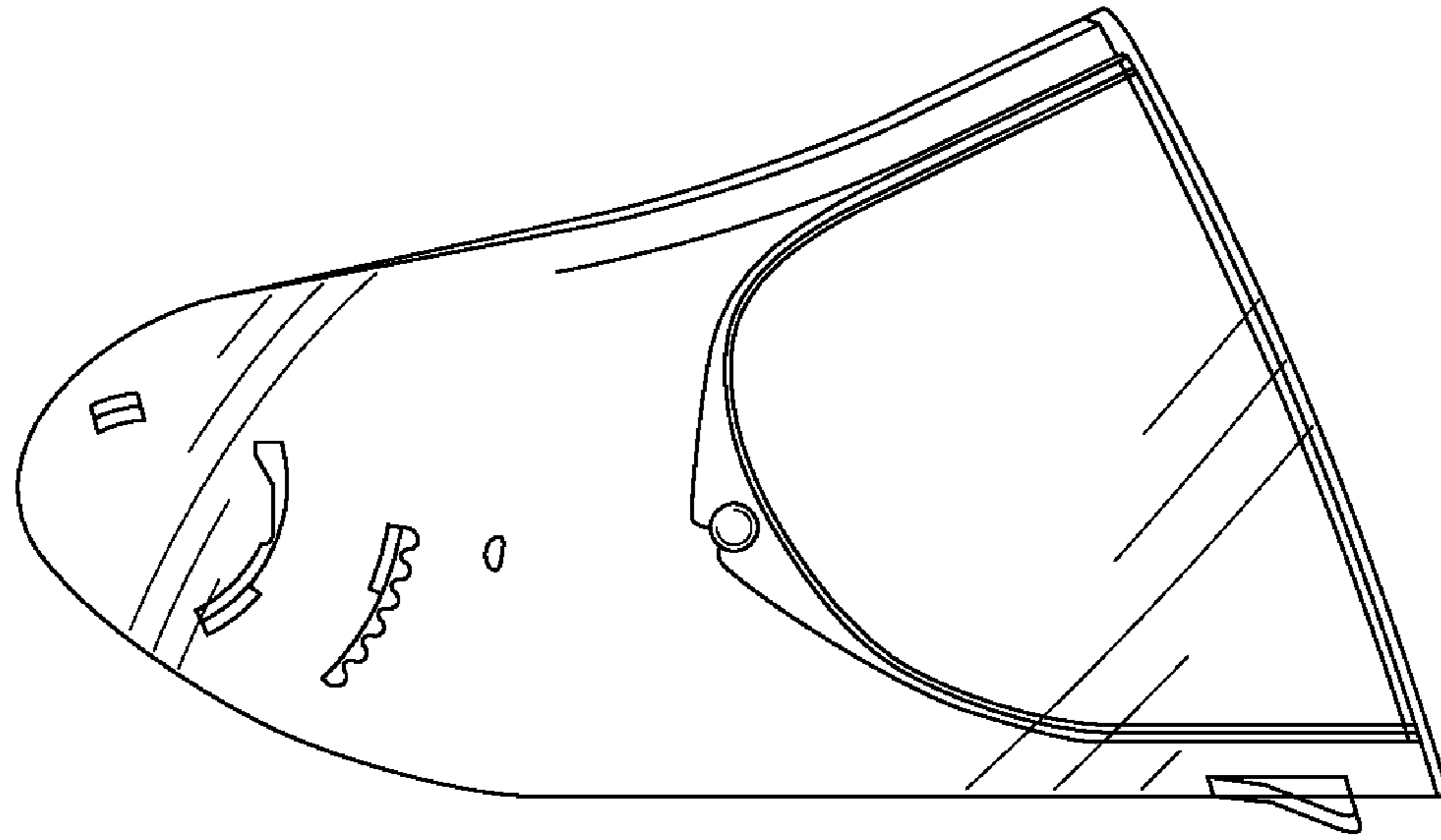


FIG. 3

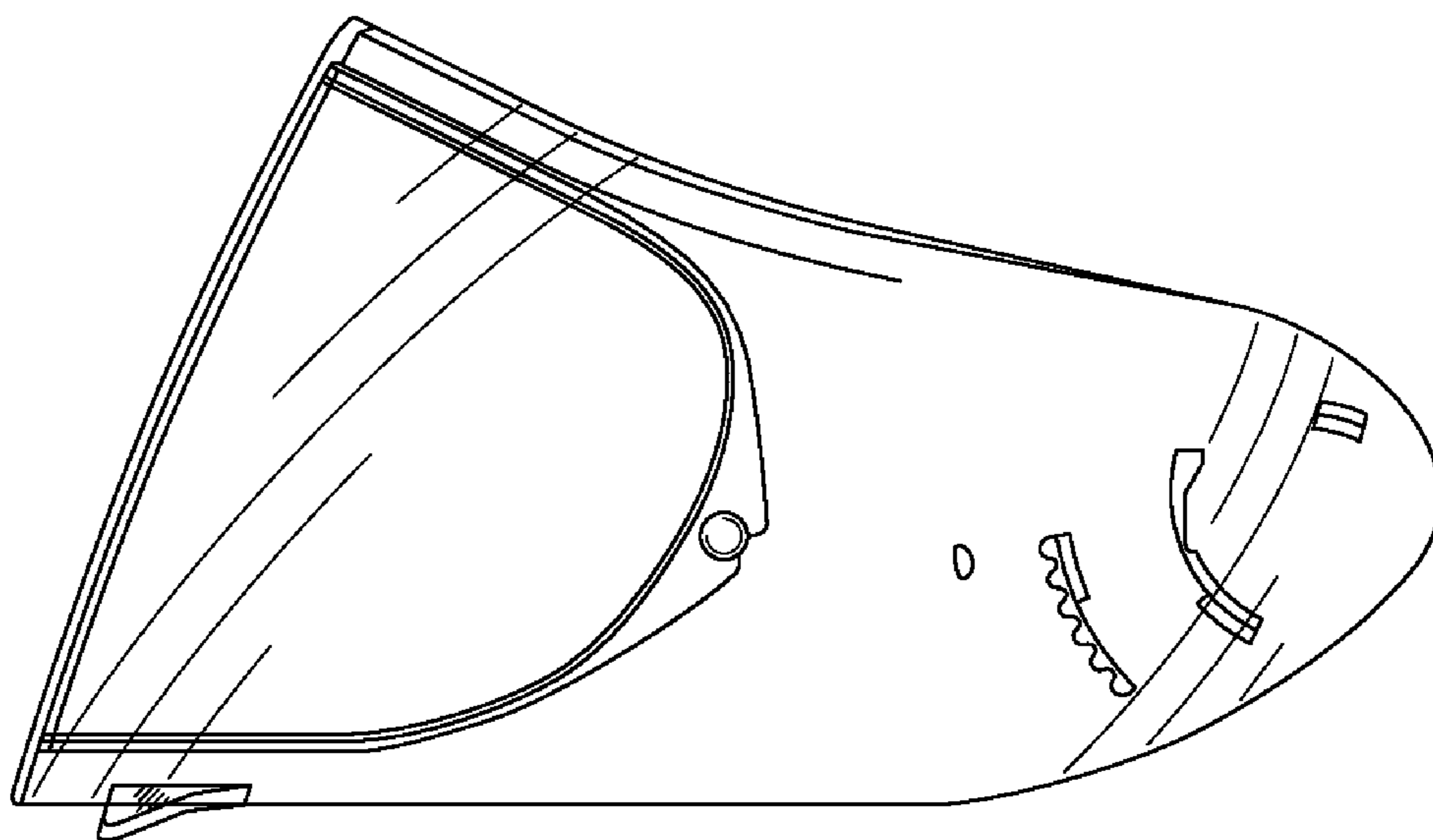


FIG. 4

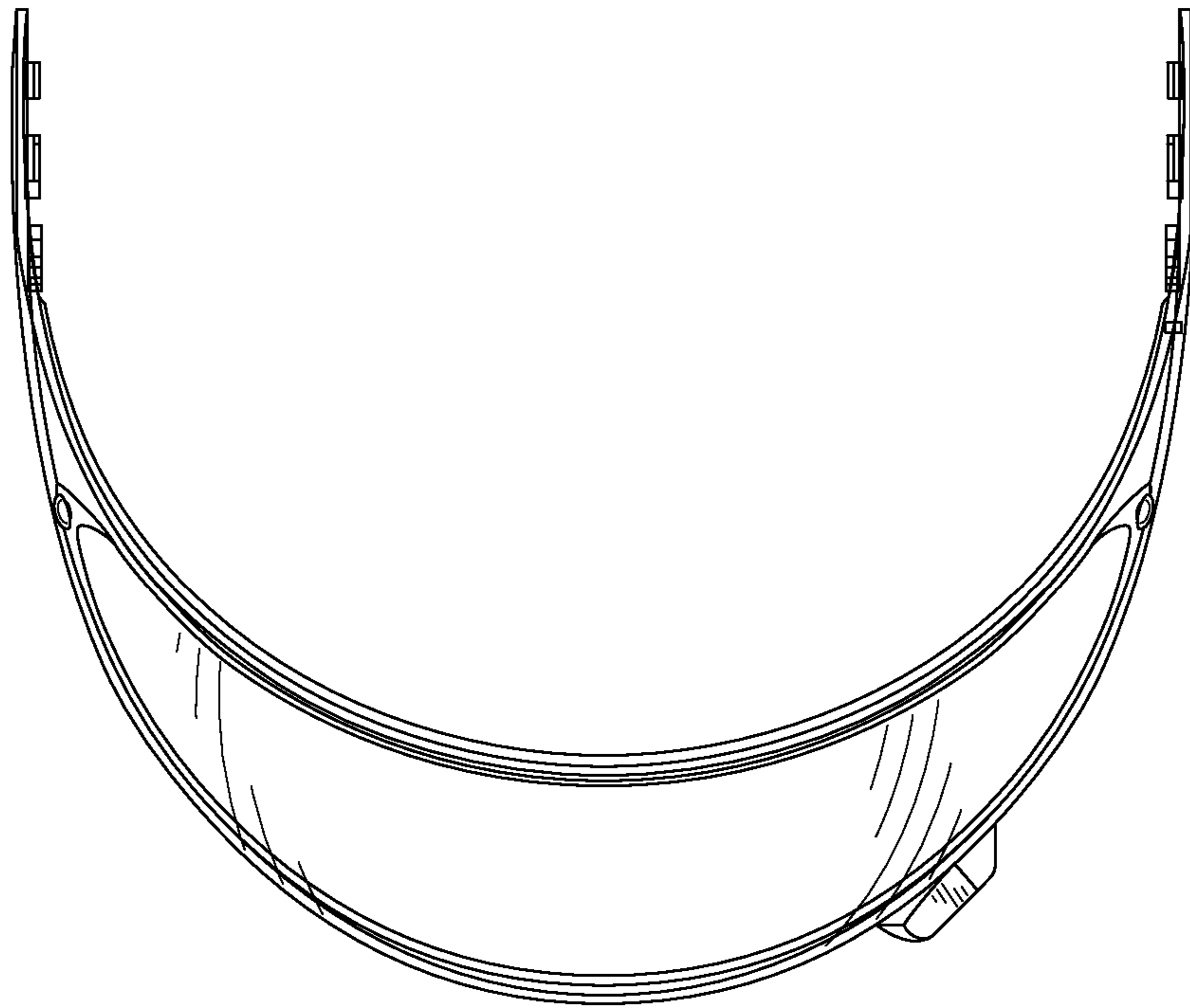


FIG. 5

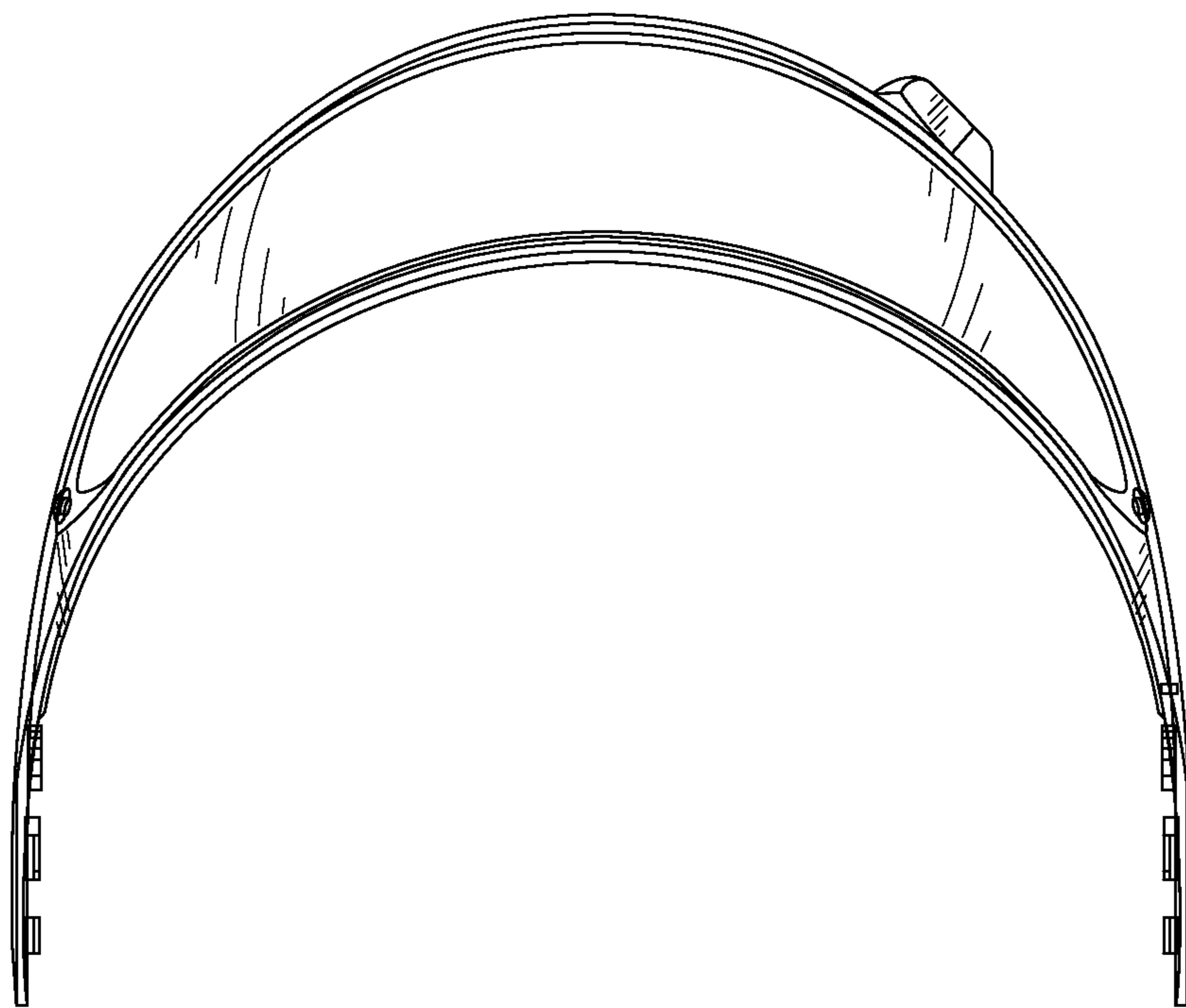


FIG. 6

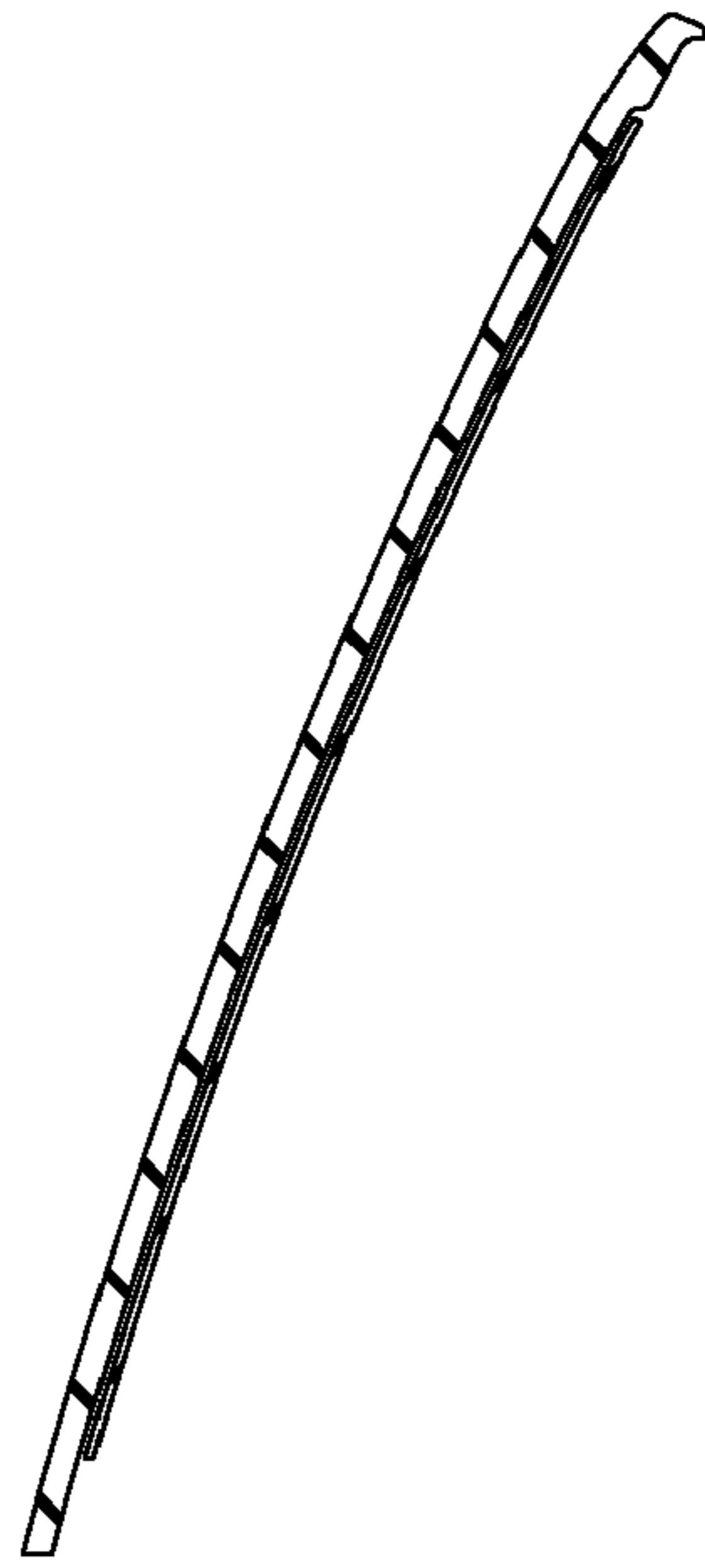


FIG. 7

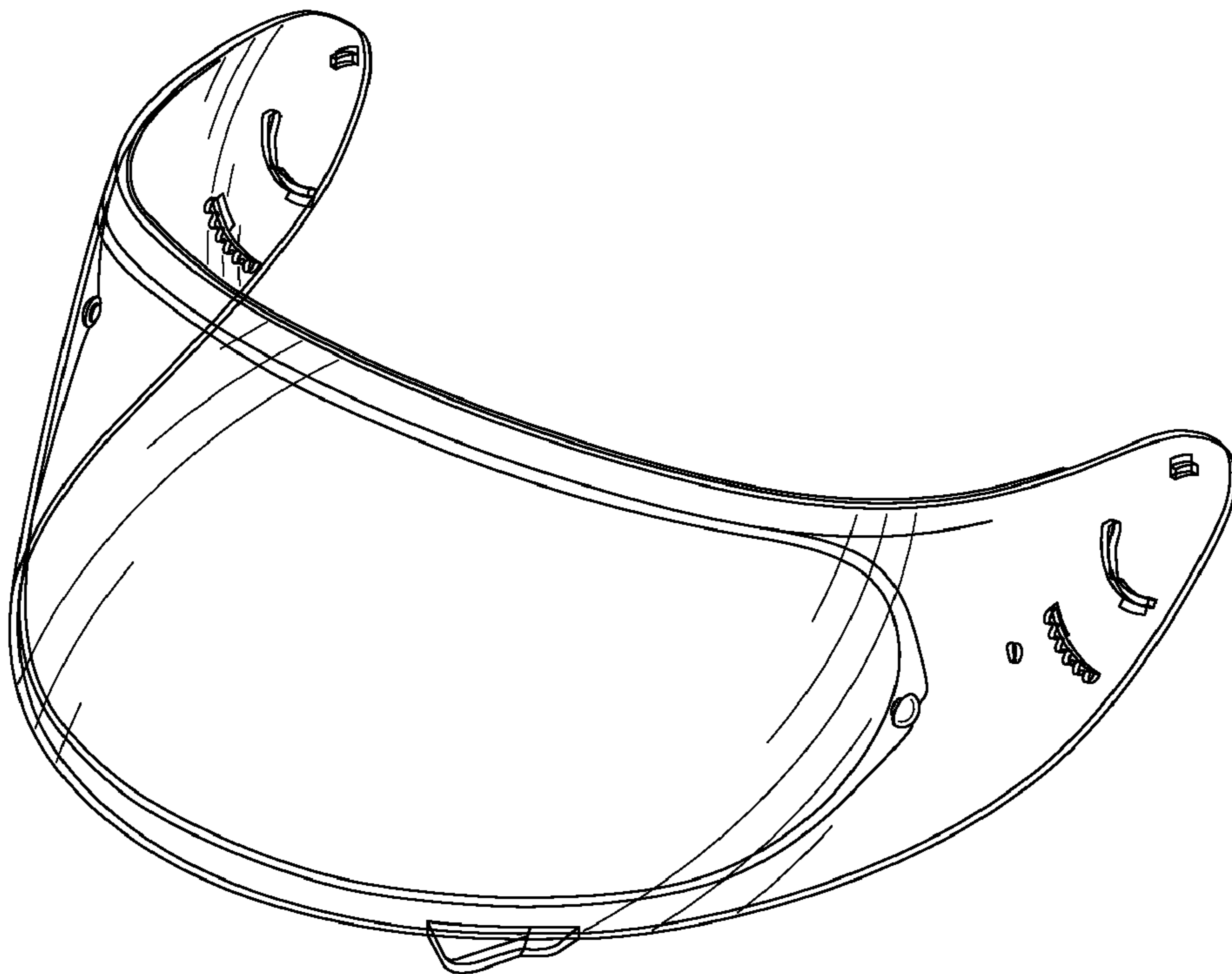


FIG. 8

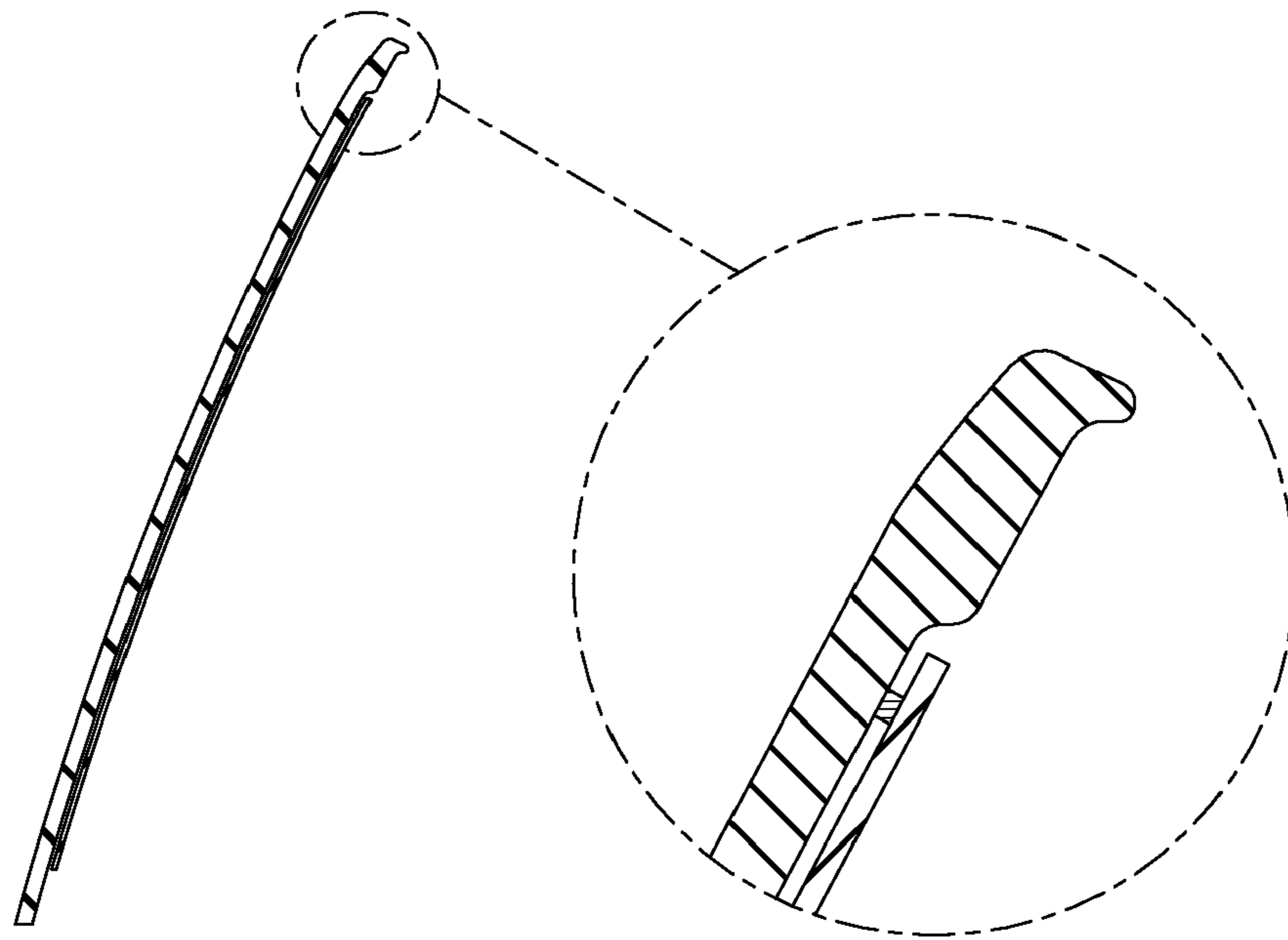


FIG. 9

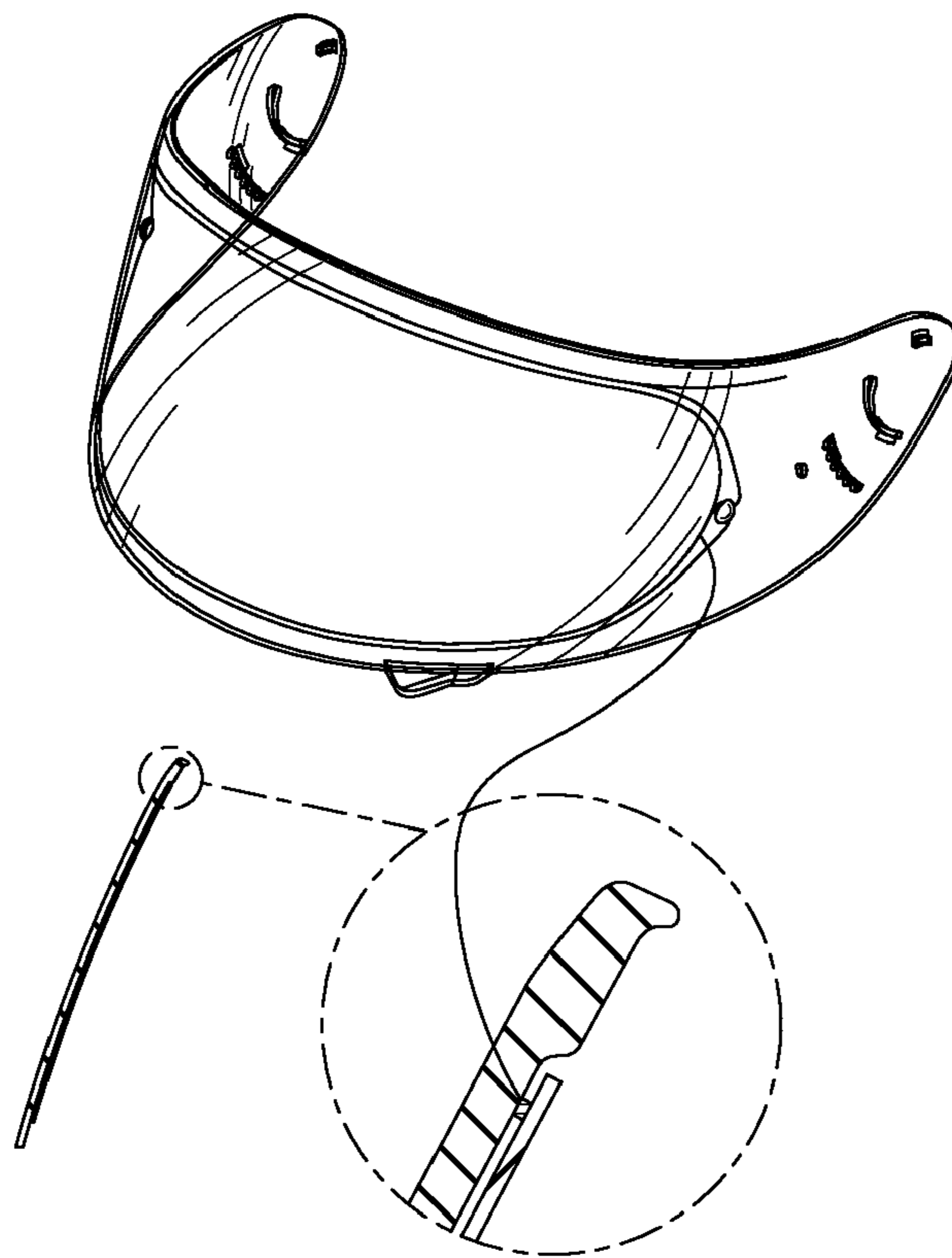


FIG. 10