



US00D611657S

(12) **United States Design Patent**
Maddy et al.

(10) **Patent No.:** **US D611,657 S**
(45) **Date of Patent:** **** Mar. 9, 2010**

(54) **CONTAINER**

(75) Inventors: **Tim Maddy**, Dallas, TX (US); **Yevsey Sobol**, Staten Island, NY (US); **Alex Kwapis**, Columbus, OH (US)

(73) Assignee: **Mary Kay Inc.**, Dallas, TX (US)

(**) Term: **14 Years**

(21) Appl. No.: **29/343,125**

(22) Filed: **Sep. 8, 2009**

Related U.S. Application Data

(62) Division of application No. 29/297,820, filed on Nov. 19, 2007, now Pat. No. Des. 600,857.

(51) **LOC (9) Cl.** **28-03**

(52) **U.S. Cl.** **D28/83**

(58) **Field of Classification Search** D28/64.1,
D28/64.3, 78-83; 206/581, 823; 132/286-288,
132/293-307, 313-318

See application file for complete search history.

(56) **References Cited**

U.S. PATENT DOCUMENTS

3,592,201 A	7/1971	Haddaway	132/301
3,637,278 A	1/1972	Easterbrooks	312/227
3,737,216 A	6/1973	Noda	359/860
3,822,781 A	7/1974	Braginetz	206/776
3,860,016 A	1/1975	Mackiernan	132/294
3,911,936 A	10/1975	Kingsford	132/316
D248,974 S	8/1978	Ballereaud	D28/83
D263,634 S	3/1982	Ballereaud	D28/83
4,331,168 A	5/1982	Hatakeyama	132/316
4,369,799 A	1/1983	Napoleon	132/294
D268,618 S	4/1983	Napolitane	D28/78
4,387,730 A	6/1983	Shioi	132/301
4,421,127 A	12/1983	Geer	132/294
D275,134 S	8/1984	Rossetti et al.	D28/80
D275,425 S	9/1984	Briggs	D28/78
4,474,196 A	10/1984	Yuhara	132/301
4,483,355 A	11/1984	Yuhara	132/301
D277,037 S	1/1985	Nadel	D28/83

D279,225 S	6/1985	Chevassus	D28/83
4,526,273 A	7/1985	Tsuji et al.	206/229
D280,138 S	8/1985	Bakic	D28/83
D280,244 S	8/1985	Buchet	D28/78
D280,245 S	8/1985	Buchet	D28/78
D280,450 S	9/1985	Schefer	D28/78

(Continued)

FOREIGN PATENT DOCUMENTS

HK 0801396.7M001 5/2008

(Continued)

OTHER PUBLICATIONS

Notice of Allowance and Fee(s) Due, issued in U.S. Appl. No. 29/297,820, mail date Jun. 12, 2009.

Primary Examiner—Jennifer Rivard

(74) *Attorney, Agent, or Firm*—Fulbright & Jaworski L.L.P.

(57) **CLAIM**

The ornamental design for a container, as shown and described.

DESCRIPTION

FIG. 1 is top front perspective view of our design in the opened position;

FIG. 2 is a front view thereof;

FIG. 3 is a back view thereof;

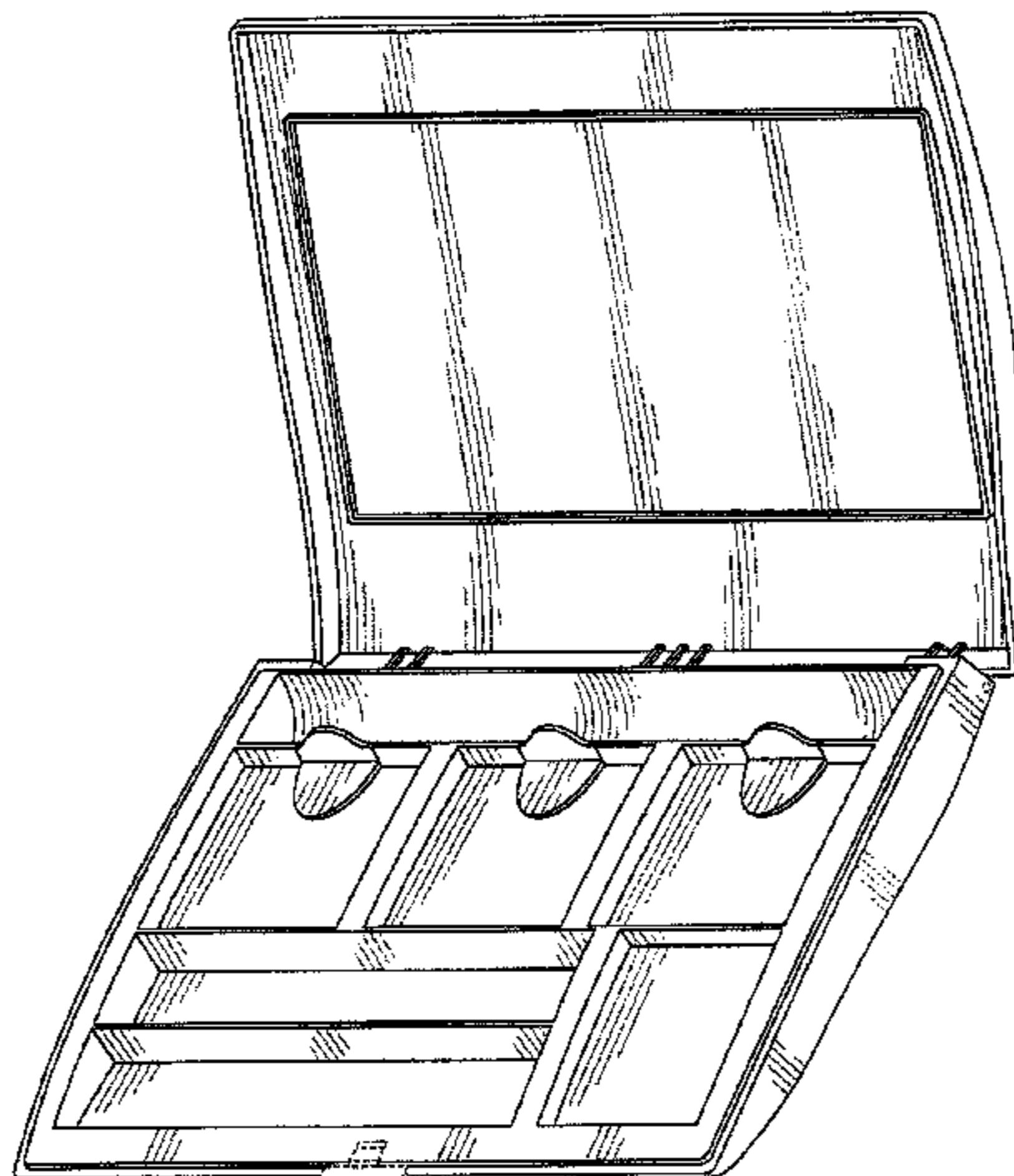
FIG. 4 is a right side view thereof;

FIG. 5 is a left side view thereof; and,

FIG. 6 is a top view thereof.

The dashed lines in FIGS. 1-2 and 4-6 are environmental structure forming no part of the claimed design. The bottom of the container and all other surface(s) or portion(s) of the container not shown in the figures or otherwise described in the specification form no part of the claimed design.

1 Claim, 5 Drawing Sheets



US D611,657 S

Page 3

6,857,432 B2	2/2005	de Laforcade	132/294	2003/0010351 A1	1/2003	de Laforcade	132/294
D505,518 S	5/2005	Benjamin et al.	D28/83	2003/0150470 A1	8/2003	Phue	132/296
D505,752 S	5/2005	Martinez	D28/83	2004/0003825 A1	1/2004	Kelly	132/301
6,889,696 B2	5/2005	Thorpe et al.	132/287	2004/0031723 A1	2/2004	Jean-Louis	206/581
6,901,937 B2	6/2005	Sebban	132/301	2004/0040570 A1	3/2004	Shih	132/293
6,932,220 B2	8/2005	Byun	206/581	2004/0055618 A1	3/2004	Petit	132/293
D511,025 S	10/2005	Martinez	D28/83	2004/0129599 A1	7/2004	Yi-Hung	206/581
D511,224 S	11/2005	Martinez	D28/83	2004/0182413 A1	9/2004	de Laforcade	132/293
6,961,977 B2	11/2005	Seidler	16/320	2004/0244812 A1	12/2004	Seidler	132/301
D512,533 S	12/2005	Martinez	D28/83	2005/0023183 A1	2/2005	Banik et al.	206/581
D517,734 S	3/2006	Shen	D28/78	2005/0178694 A1	8/2005	Mecca et al.	206/581
7,014,045 B2	3/2006	Lin	206/581	2005/0194384 A1	9/2005	Petit	220/230
7,054,668 B2	5/2006	Endo et al.	455/566	2005/0241987 A1	11/2005	Dieudonat	206/581
7,089,627 B2	8/2006	Seidler	16/320	2006/0027481 A1	2/2006	Gelardi et al.	206/581
7,117,874 B2	10/2006	Gubernick	132/294	2006/0096611 A1	5/2006	Leppla et al.	132/294
D531,760 S	11/2006	Nobuto et al.	D28/78	2006/0118454 A1	6/2006	Kang	206/581
7,140,372 B2	11/2006	Byun	132/287	2006/0188850 A1	8/2006	Mills	434/100
D539,481 S	3/2007	Lui	D28/83	2006/0196524 A1	9/2006	Yuhara	132/294
D542,475 S	5/2007	Martinez	D28/83	2006/0201529 A1	9/2006	Huang	132/301
D555,288 S	11/2007	Hirst	D28/83	2006/0219256 A1	10/2006	Byun	132/287
7,314,052 B2	1/2008	Yuhara et al.	132/294	2006/0226164 A1	10/2006	Graham	220/840
D561,944 S	2/2008	Ashiwa et al.	D28/83	2006/0283476 A1	12/2006	Bennett	132/293
7,389,780 B2	6/2008	Byun	132/295	2007/0080094 A1	4/2007	Moon	206/581
D576,354 S *	9/2008	Dominski et al.	D28/83	2007/0131240 A1	6/2007	Prague	132/294
7,467,727 B2	12/2008	Yuhara	220/4.22				
7,597,211 B2	10/2009	Kang	220/367.1				
2002/0036155 A1	3/2002	Freeman et al.	206/581				
2002/0162566 A1	11/2002	Jang	132/294				
2002/0162567 A1	11/2002	Jang	132/294				

FOREIGN PATENT DOCUMENTS

HK 0801396.7M002 5/2008

* cited by examiner

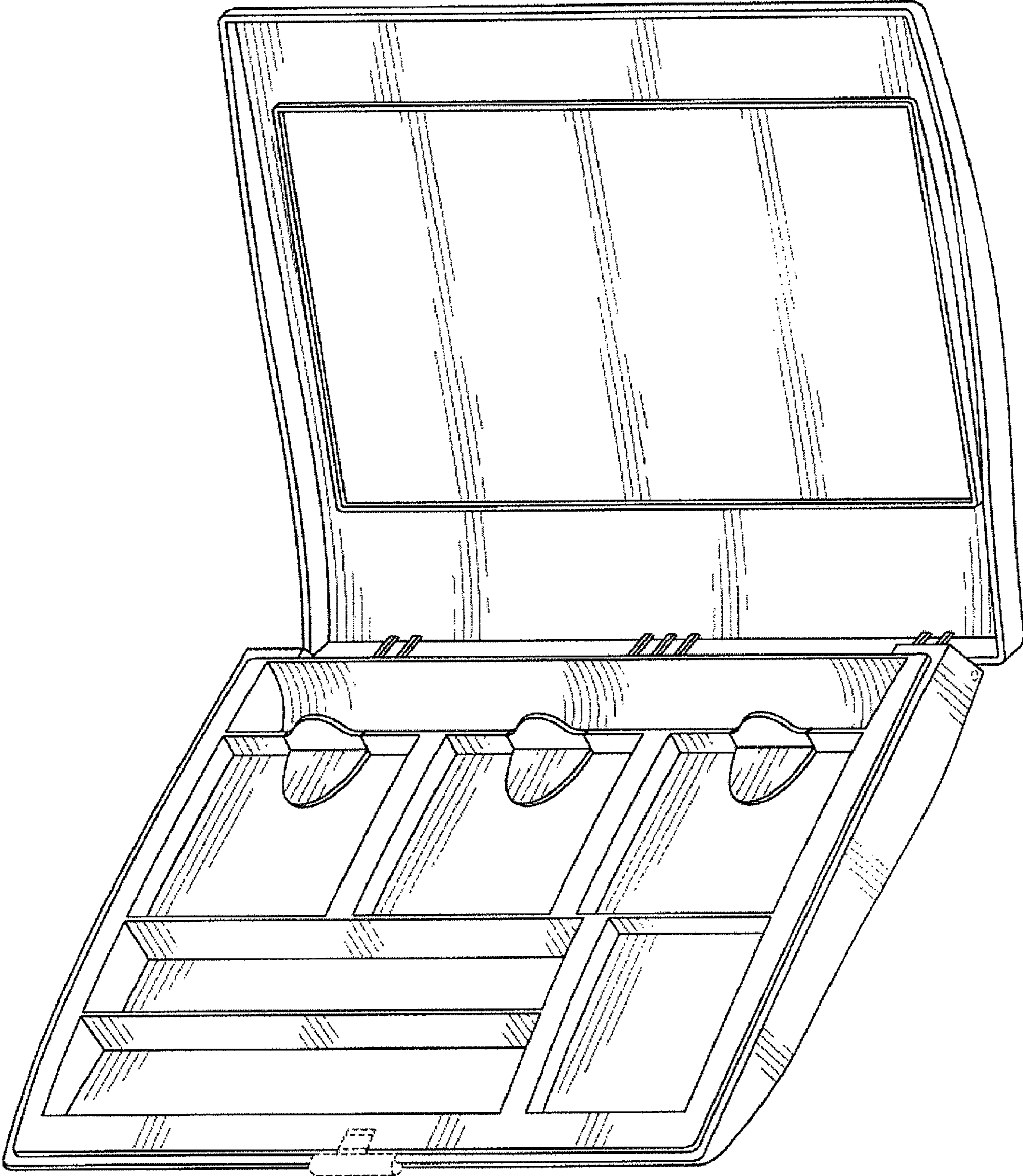


FIG. 1

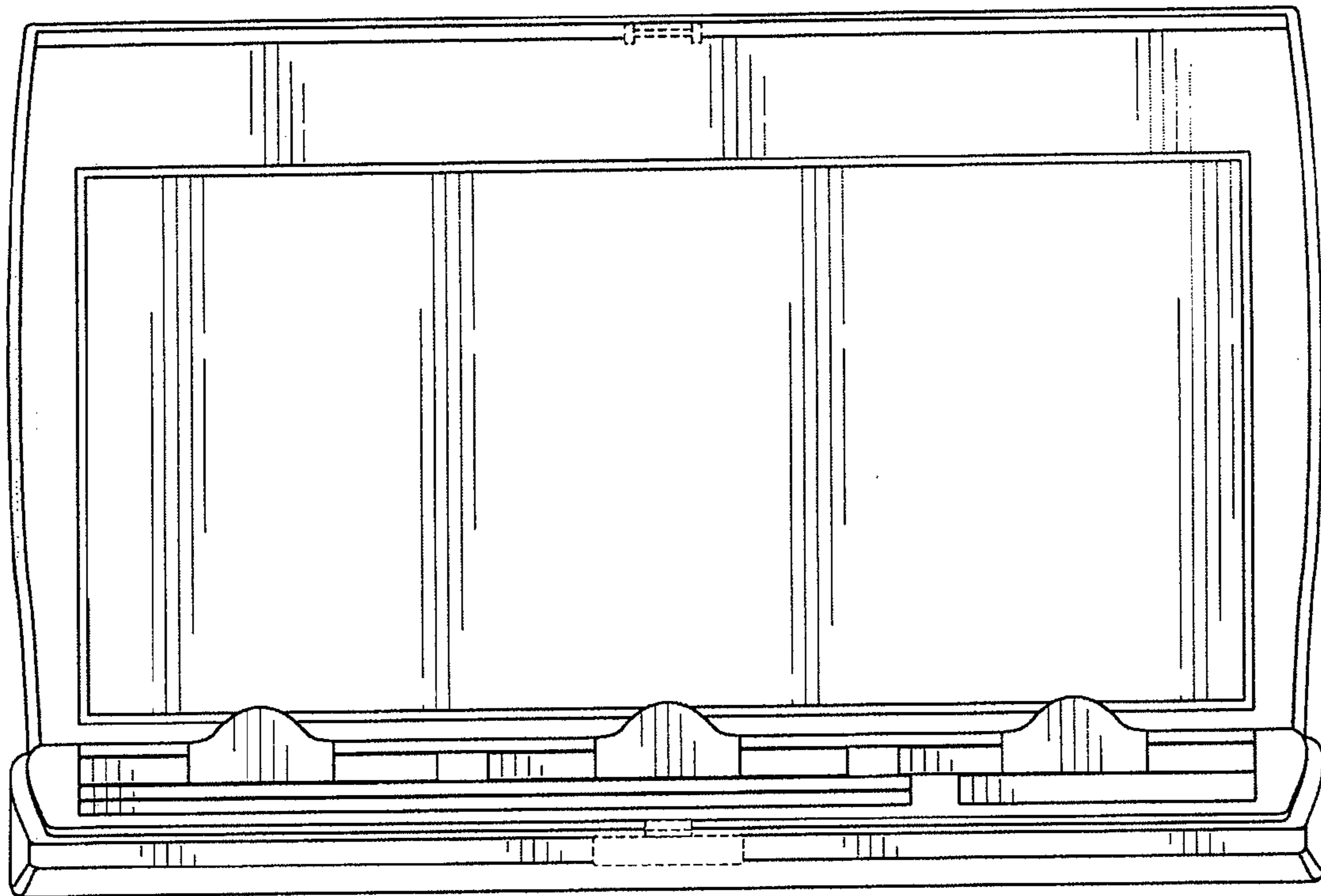


FIG. 2

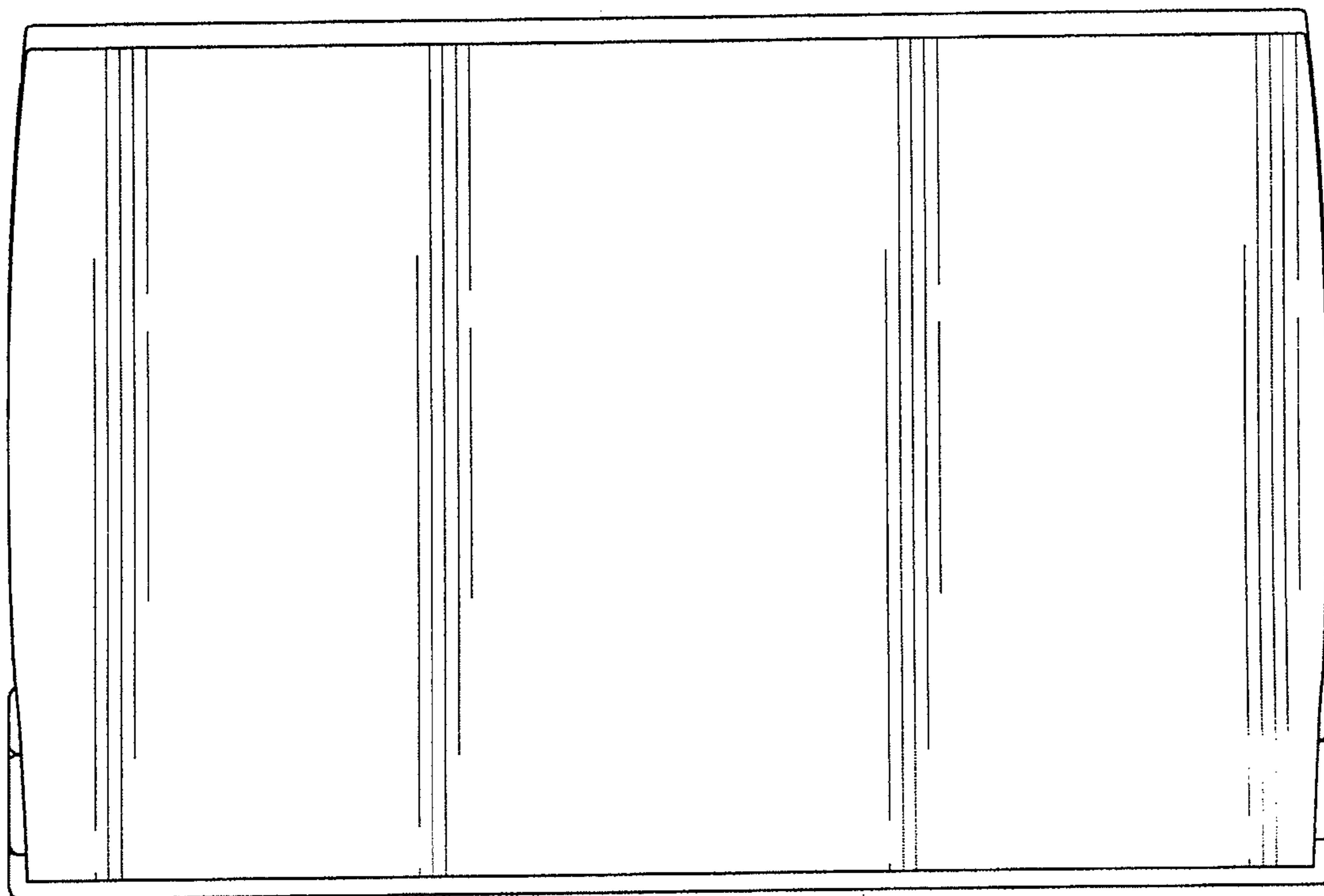


FIG. 3

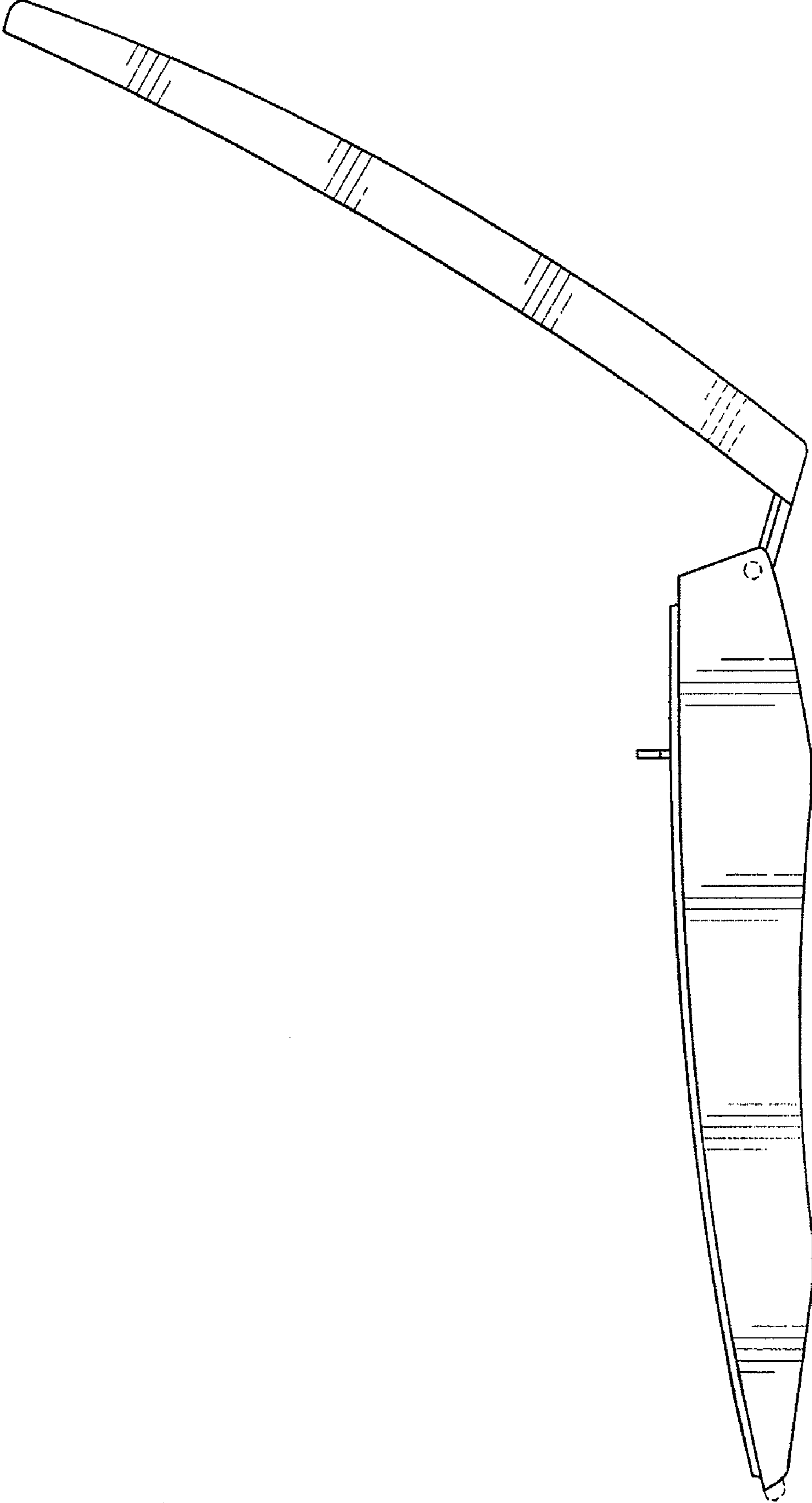


FIG. 4

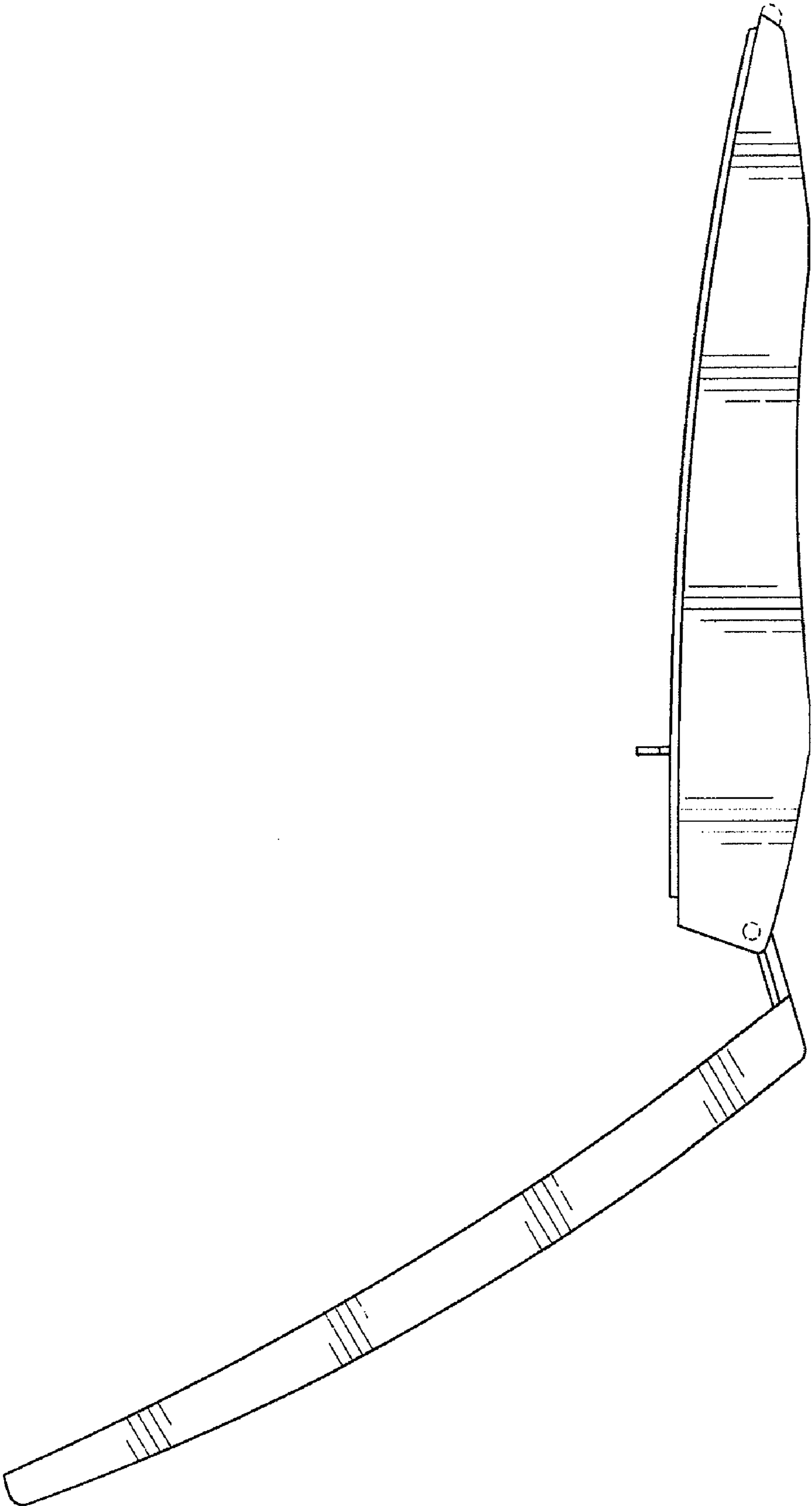


FIG. 5

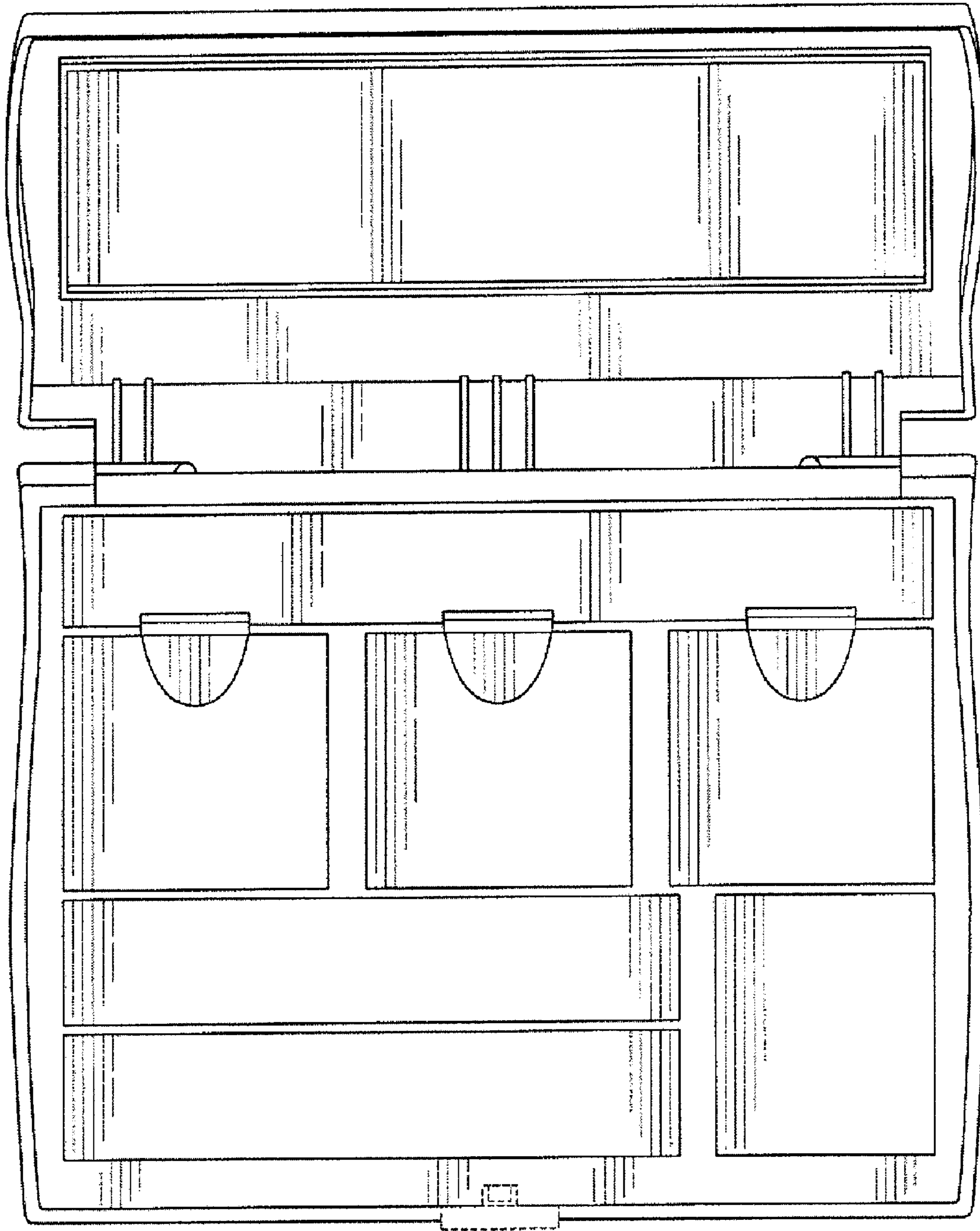


FIG. 6