



US00D611656S

(12) **United States Design Patent**
Lai

(10) **Patent No.:** **US D611,656 S**
(45) **Date of Patent:** **** Mar. 9, 2010**

(54) **COSMETICS BOX**

(75) Inventor: **Chin-Chun Lai**, Hsinchu (TW)

(73) Assignee: **Chao Ling Chemical Industry Co., Ltd.**, Hsinchu (TW)

(**) Term: **14 Years**

(21) Appl. No.: **29/339,125**

(22) Filed: **Jun. 24, 2009**

(51) **LOC (9) Cl.** **28-03**

(52) **U.S. Cl.** **D28/79; D3/271.1**

(58) **Field of Classification Search** D28/73,
D28/76-78, 83; 220/4.26-4.27; 132/286,
132/287, 293-307, 314-318; 206/581, 823;
D3/205, 271.1, 295

See application file for complete search history.

(56) **References Cited**

U.S. PATENT DOCUMENTS

D177,365 S * 4/1956 Cuthbertson D28/79
D462,484 S * 9/2002 Lai D28/78
D490,937 S * 6/2004 Ke D28/79
D508,166 S * 8/2005 Liu D3/271.1

D525,429 S * 7/2006 Lalwani D3/271.1

* cited by examiner

Primary Examiner—Jennifer Rivard

(74) *Attorney, Agent, or Firm*—Muncy, Geissler, Olds & Lowe, PLLC

(57) **CLAIM**

The ornamental design for a cosmetics box, as shown and described.

DESCRIPTION

FIG. 1 is a perspective view of a cosmetics box;

FIG. 2 is a front view thereof;

FIG. 3 is a back view thereof;

FIG. 4 is a left side view thereof;

FIG. 5 is a right side view thereof;

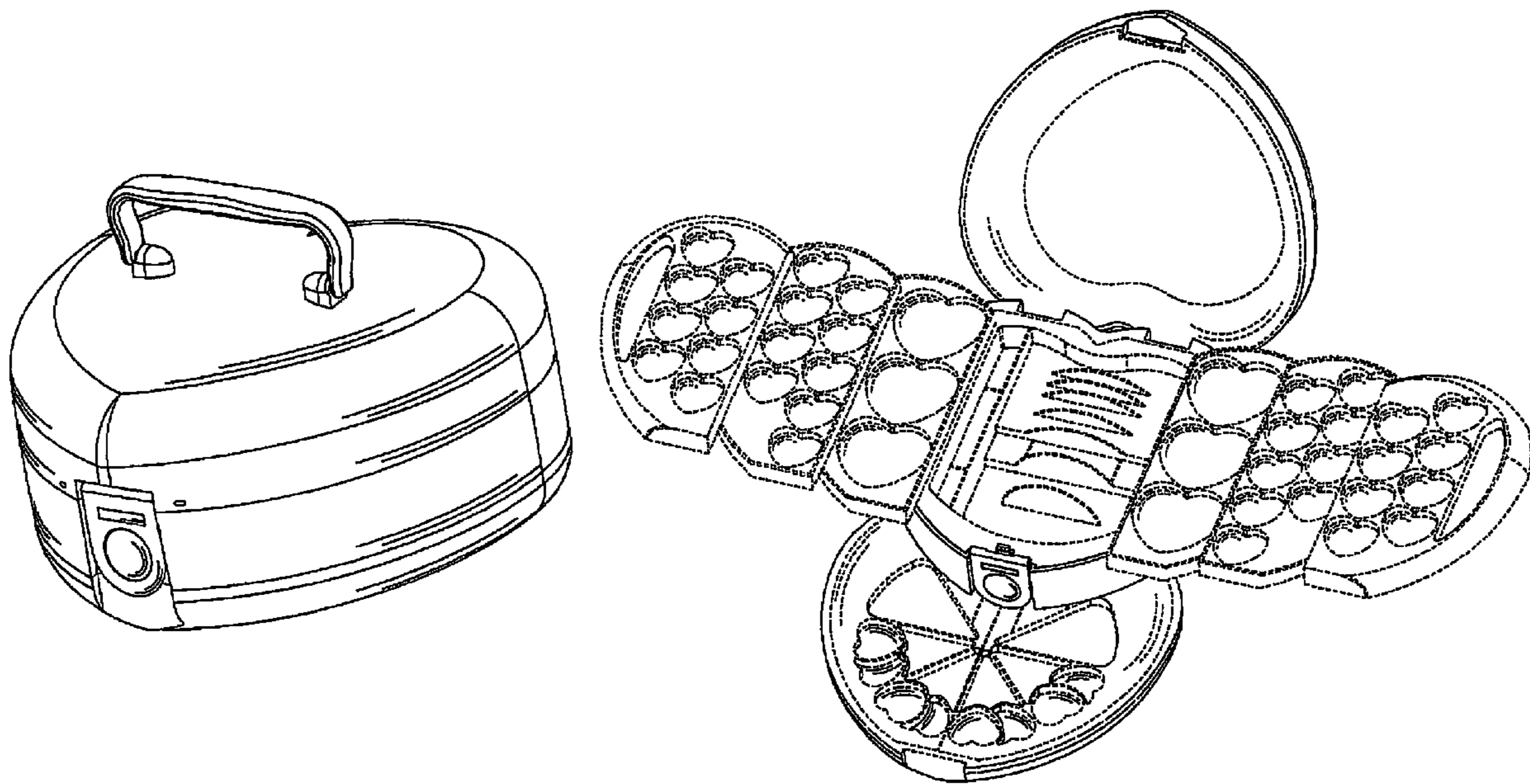
FIG. 6 is a top view thereof;

FIG. 7 is a bottom view thereof; and,

FIG. 8 is a perspective view thereof, wherein the cosmetics box is in an opened position.

The internal features which are shown in broken lines are for illustrative purposes and form no part of the claimed design.

1 Claim, 8 Drawing Sheets



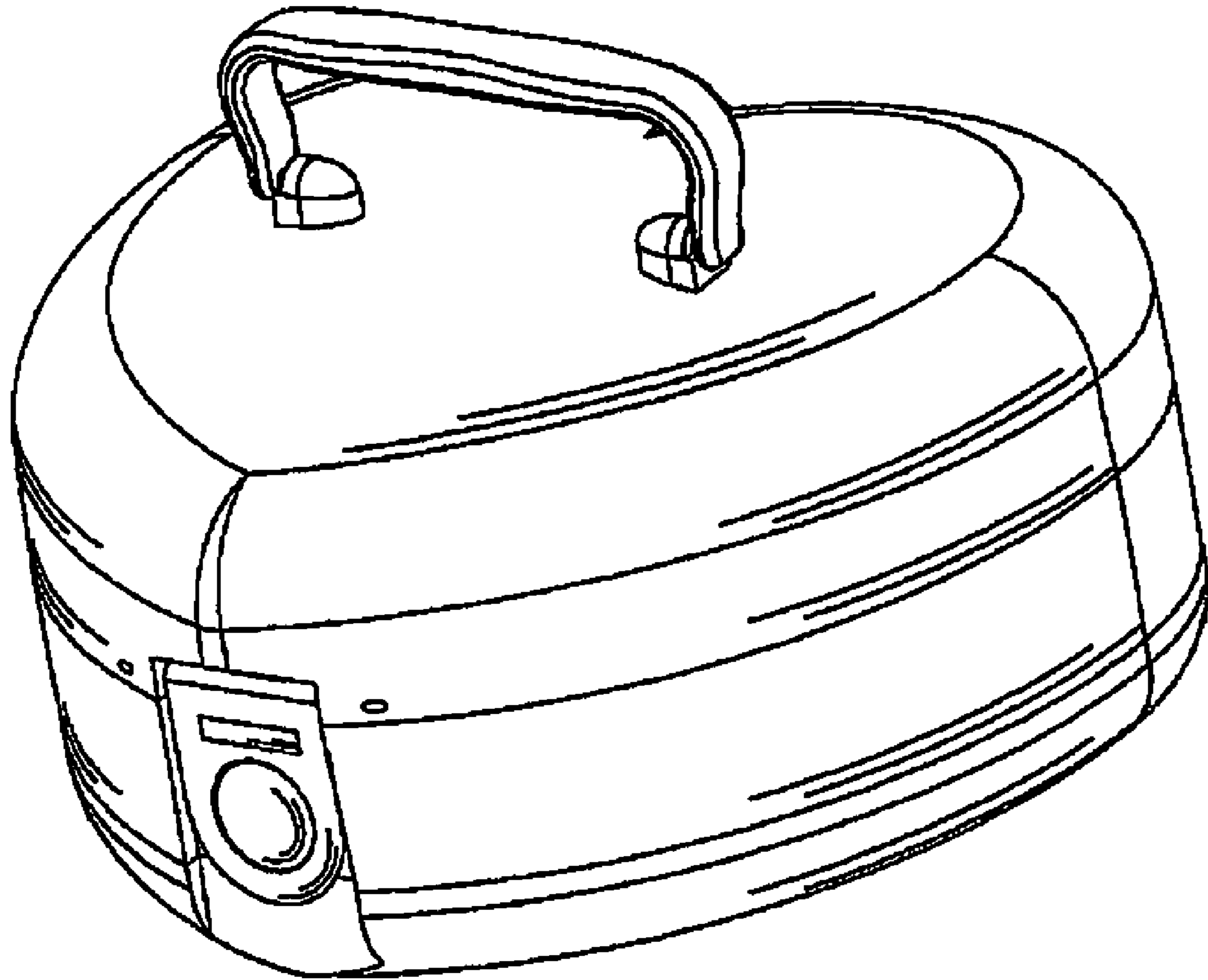


FIG. 1

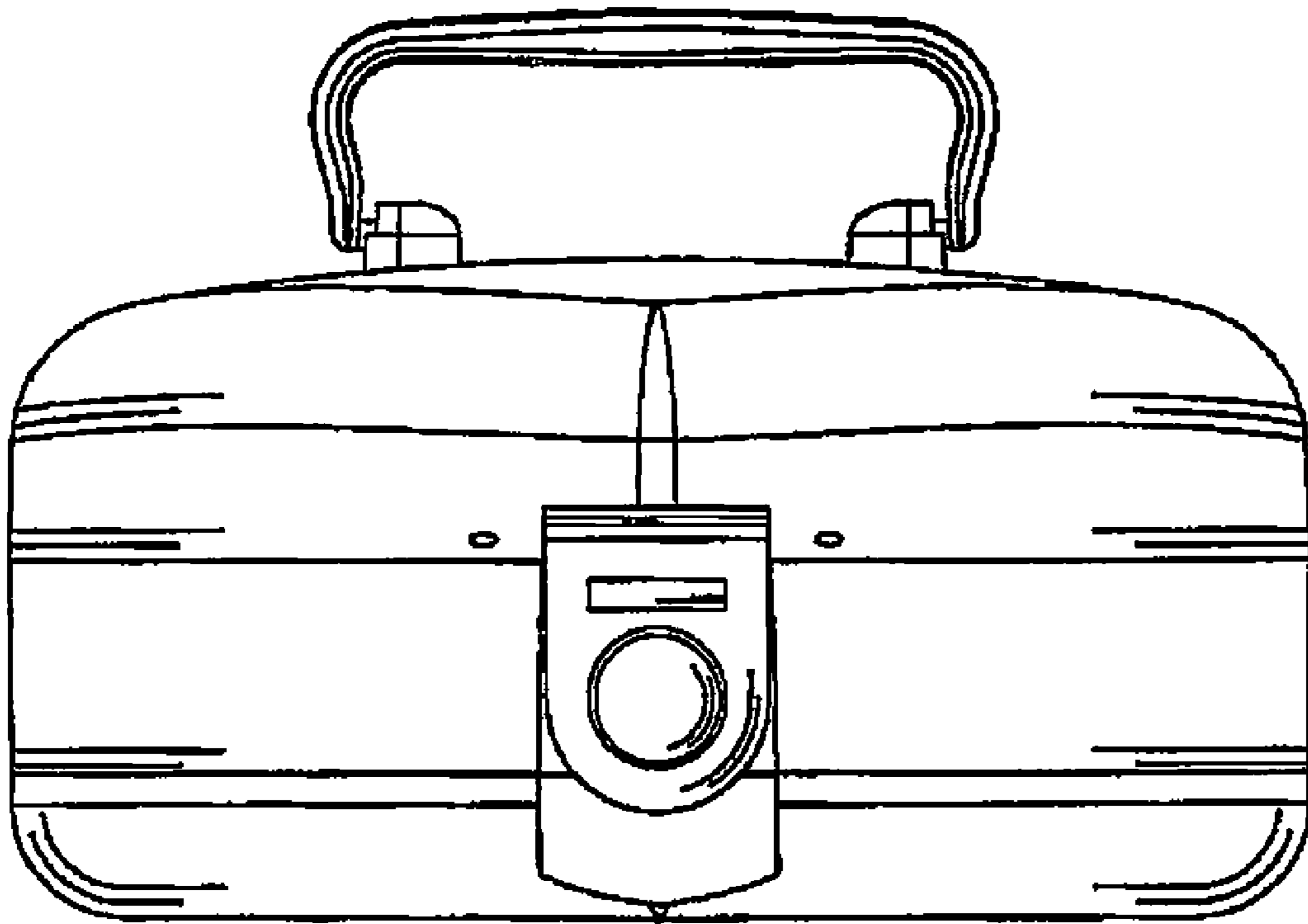


FIG. 2

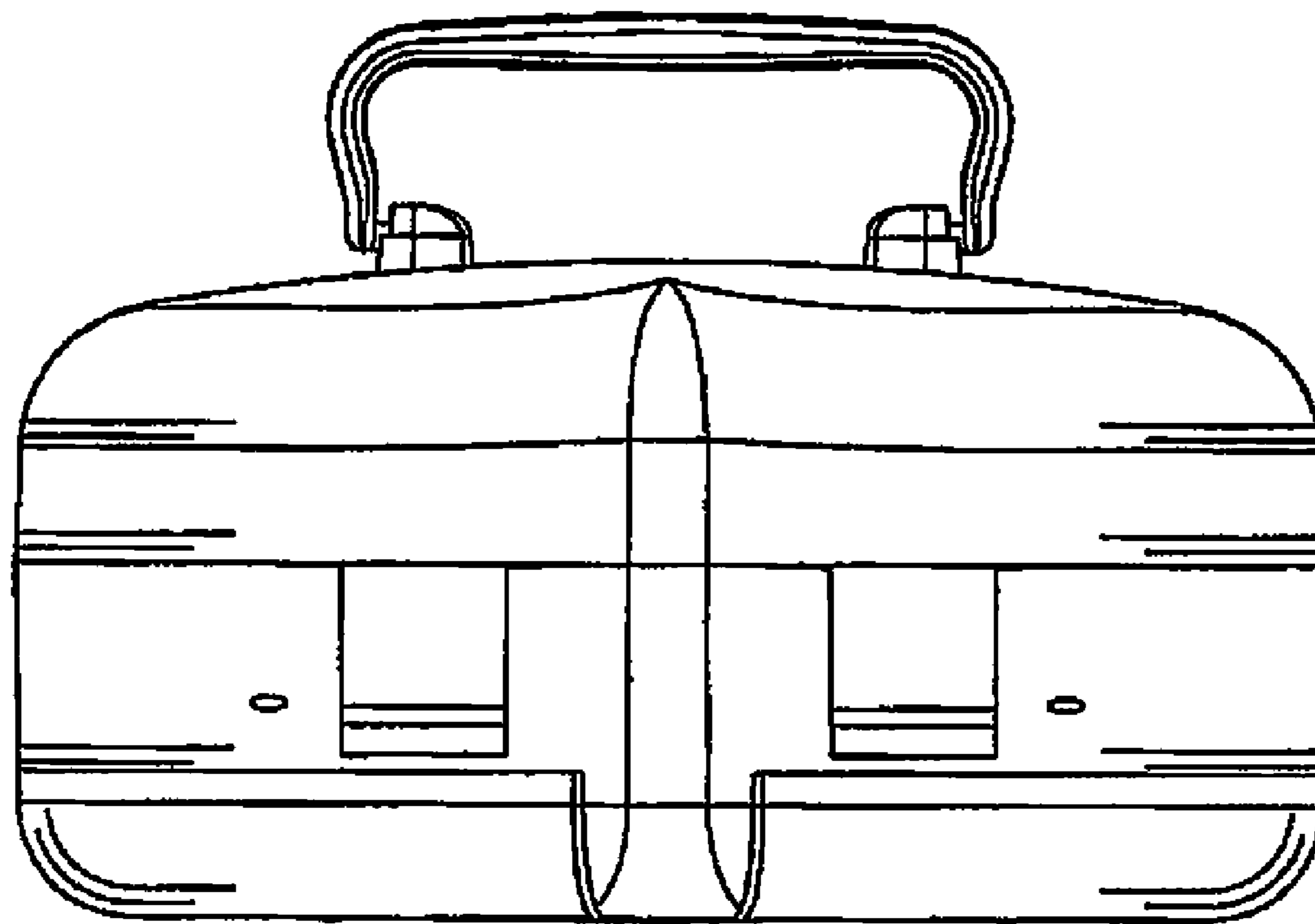


FIG. 3

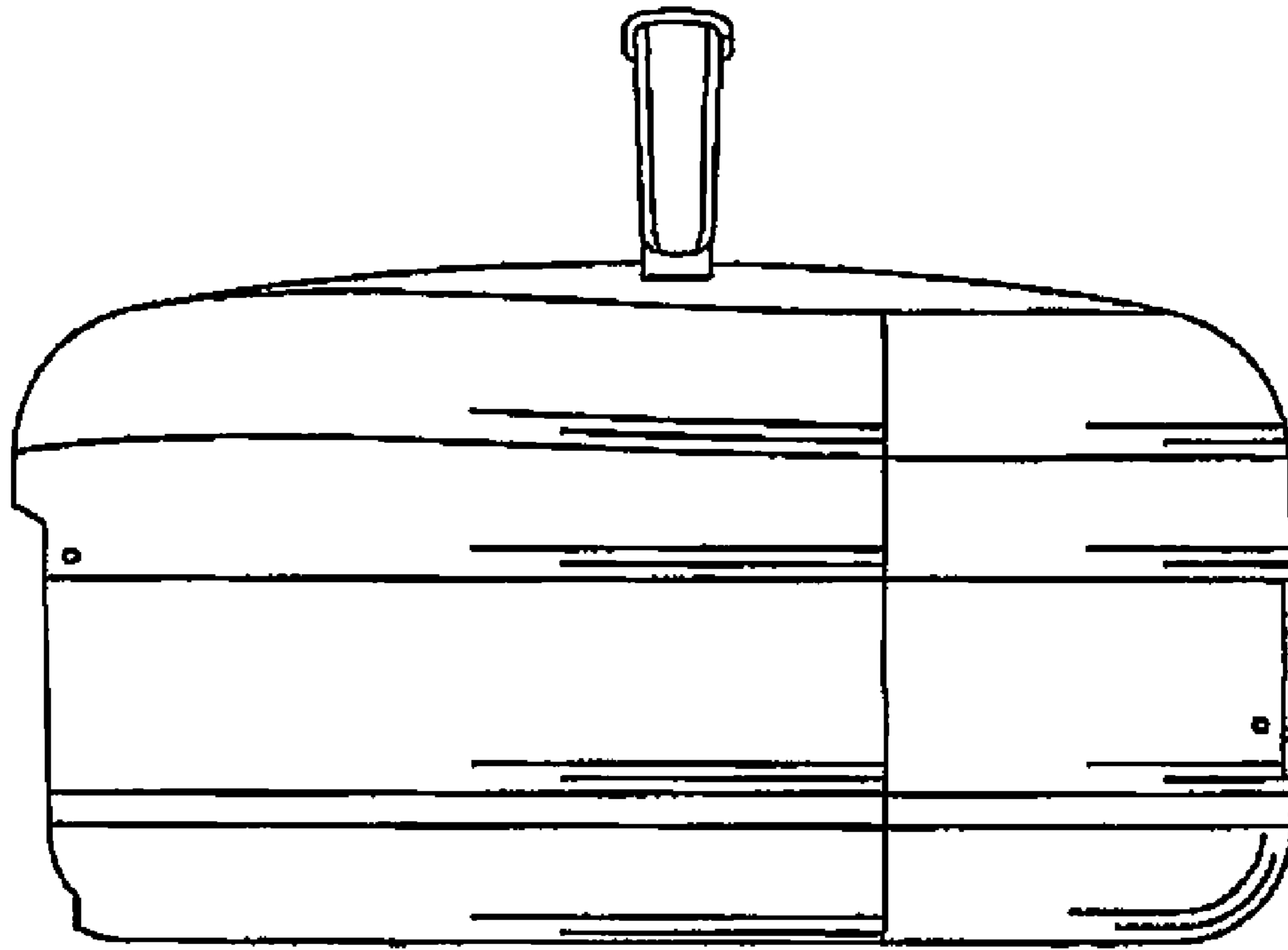


FIG. 4

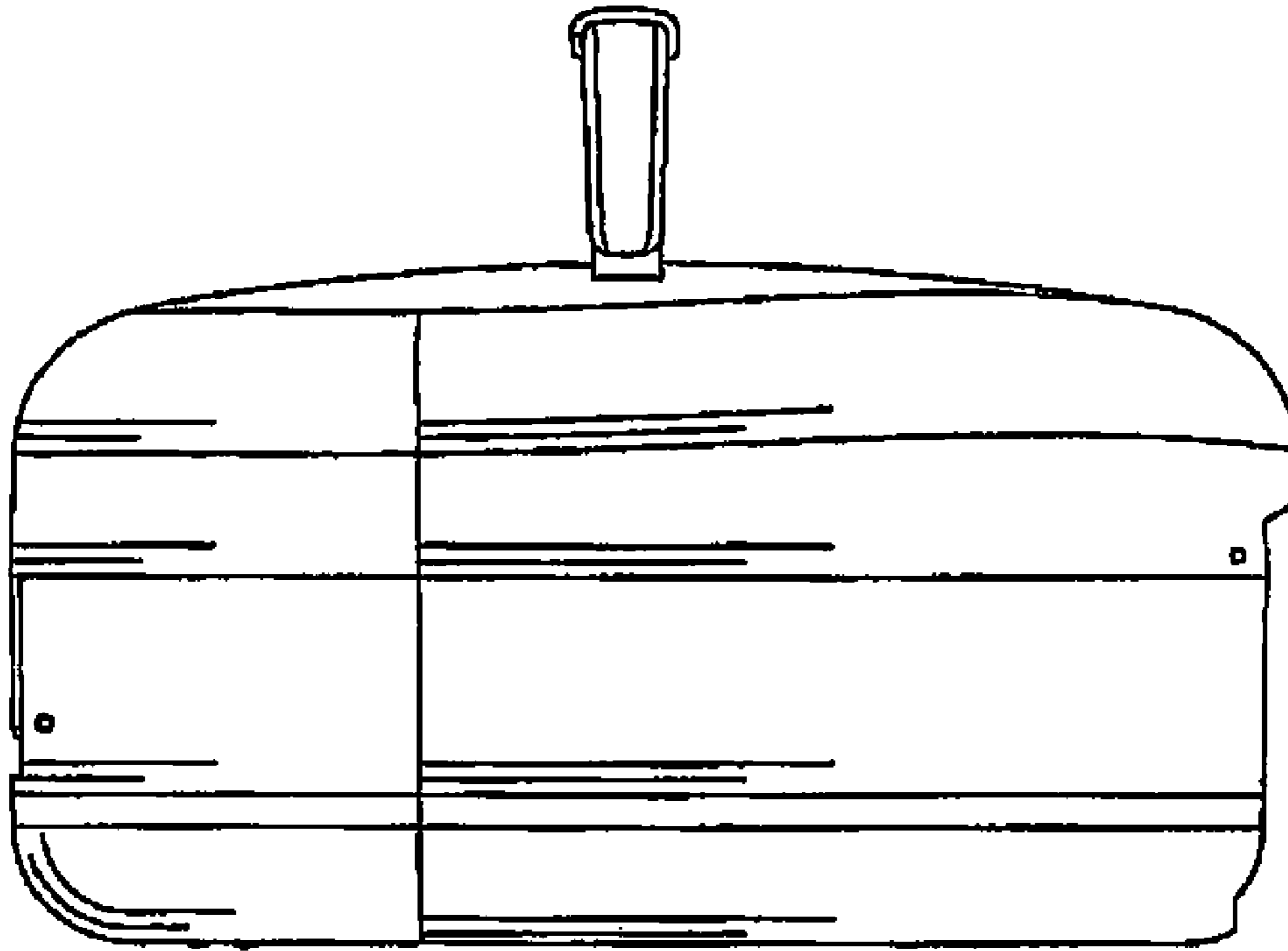


FIG. 5

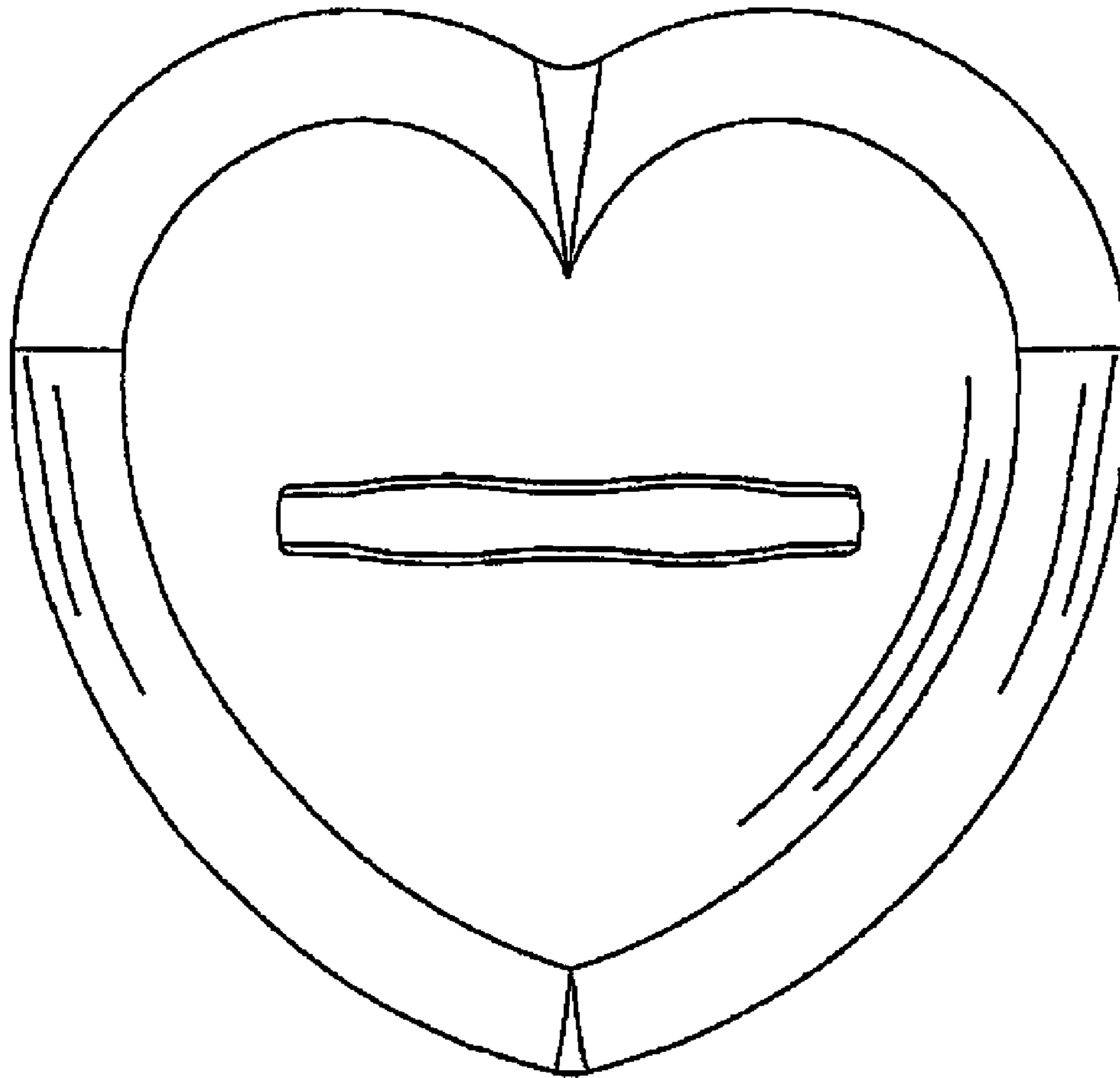


FIG. 6

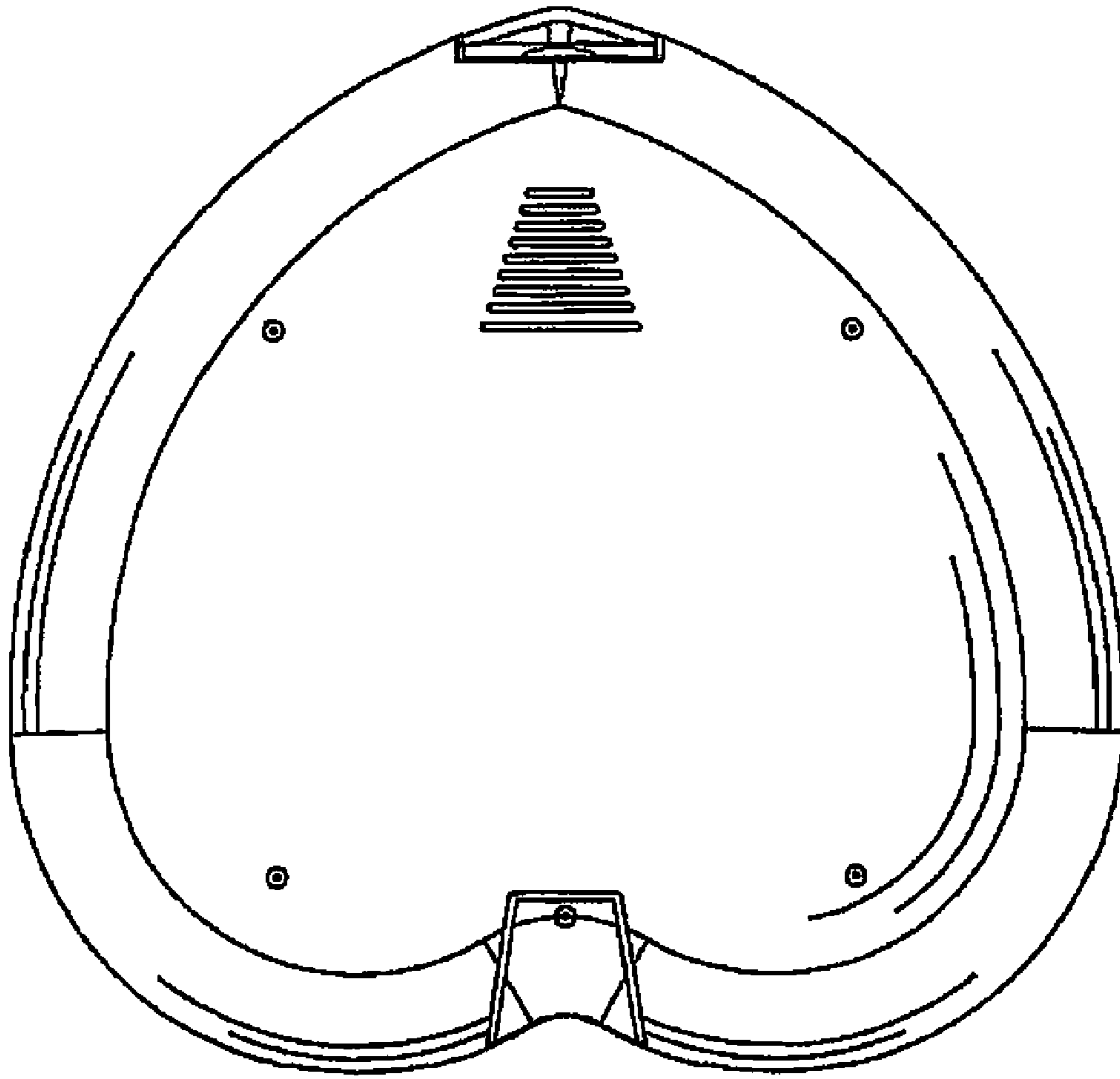


FIG. 7

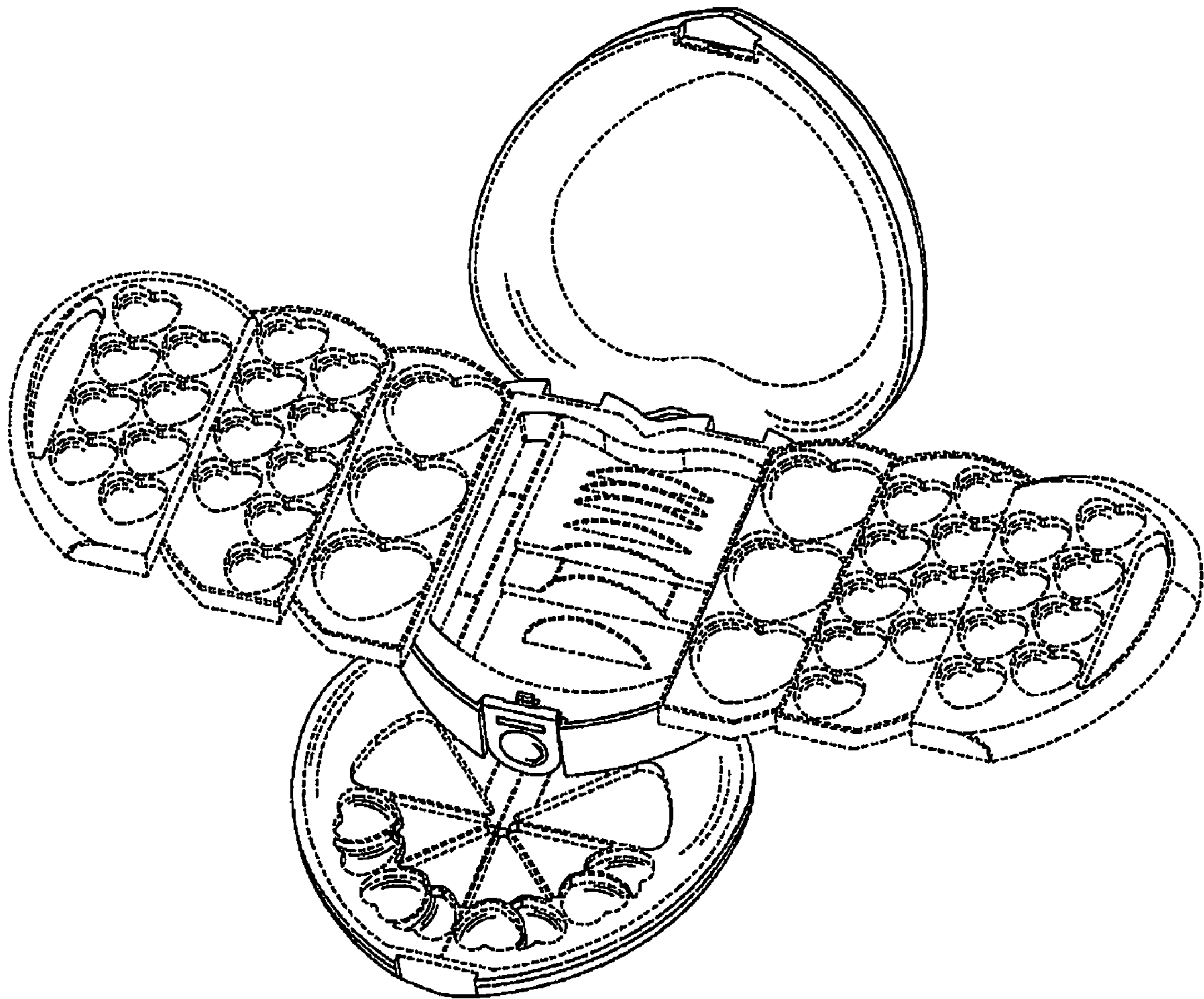


FIG. 8