



US00D611653S

(12) **United States Design Patent**  
**Marut**

(10) **Patent No.:** **US D611,653 S**  
(45) **Date of Patent:** **\*\* Mar. 9, 2010**

(54) **SHAVER**

(76) Inventor: **Brett C. Marut**, 1250 10<sup>th</sup> St., Suite #1,  
Santa Monica, CA (US) 90401

(\*\*) Term: **14 Years**

(21) Appl. No.: **29/316,404**

(22) Filed: **Sep. 21, 2009**

6,266,888	B1 *	7/2001	Zowaski	.....	30/527
7,093,363	B1 *	8/2006	Kuo	.....	30/47
7,103,980	B2	9/2006	Leventhal		
D560,032	S *	1/2008	Lopez	.....	D28/48
D602,634	S *	10/2009	Cataudella et al.	.....	D28/46
D603,096	S *	10/2009	Greene	.....	D28/46
D605,362	S *	12/2009	Andersen	.....	D28/48
2003/0177648	A1 *	9/2003	Zeiter	.....	30/526
2003/0208914	A1	11/2003	Ehrlich et al.		
2004/0107585	A1	6/2004	Helmrich		
2004/0194325	A1	10/2004	Ehrlich et al.		
2007/0227015	A1 *	10/2007	Collins	.....	30/526

**Related U.S. Application Data**

(63) Continuation of application No. 11/442,099, filed on May 26, 2005, which is a continuation-in-part of application No. 11/392,243, filed on Mar. 28, 2006, now abandoned.

(51) **LOC (9) Cl.** ..... **28-03**

(52) **U.S. Cl.** ..... **D28/46**

(58) **Field of Classification Search** ..... D28/45-48;  
30/526-533, 32, 34.05, 47, 48  
See application file for complete search history.

(56) **References Cited**

**U.S. PATENT DOCUMENTS**

4,879,811	A	11/1989	Cooney		
4,905,372	A *	3/1990	Willis	.....	30/526
4,955,136	A	9/1990	Diaz-Rivera		
5,010,645	A	4/1991	Furukawa		
5,167,069	A *	12/1992	Quinn	.....	30/527
5,193,528	A	3/1993	Iwamoto et al.		
D370,742	S *	6/1996	Chase	.....	D28/46
5,704,127	A *	1/1998	Cordio	.....	30/49
5,911,480	A *	6/1999	Morgan	.....	30/41
6,163,963	A	12/2000	Huang		
6,189,222	B1	2/2001	Doyle		

**FOREIGN PATENT DOCUMENTS**

GB 148581 8/1920

**OTHER PUBLICATIONS**

U.S. Appl. No. 11/392,243, filed Mar. 2006, Marut.  
U.S. Appl. No. 11/442,099, filed May 2006, Marut.  
U.S. Appl. No. 60/719,540, filed Sep. 2005, Marut.

\* cited by examiner

*Primary Examiner*—Jennifer Rivard  
(74) *Attorney, Agent, or Firm*—Raymond Sun

(57) **CLAIM**

The ornamental design for a shaver, as shown and described.

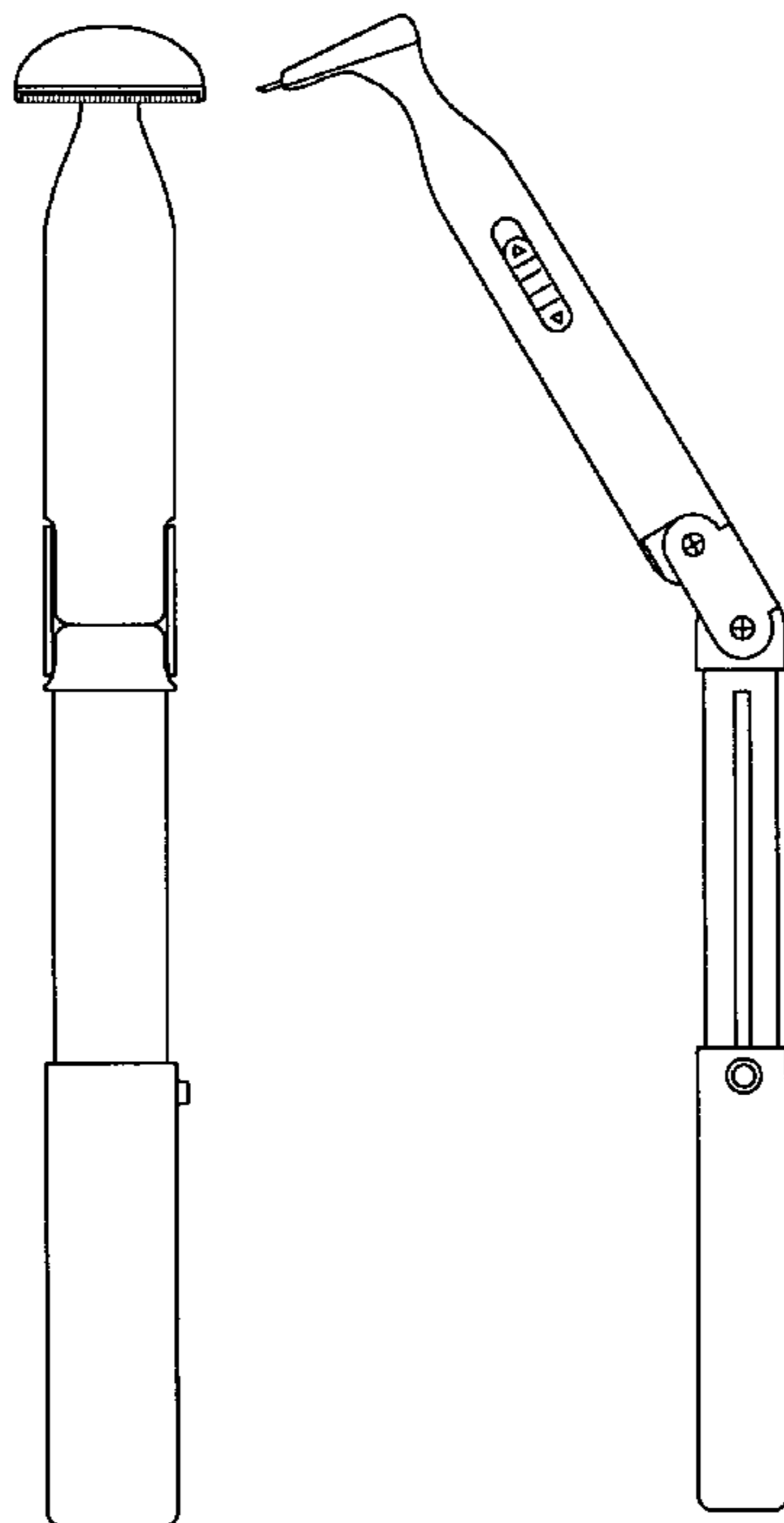
**DESCRIPTION**

FIG. 1 is a frontal view of a shaver wand showing my new design.

FIG. 2 is a rear view of the shaver of FIG. 1; and,

FIG. 3 is a right side view of the shaver of FIG. 1 shown with a portion of the shaver pivoted.

**1 Claim, 1 Drawing Sheet**



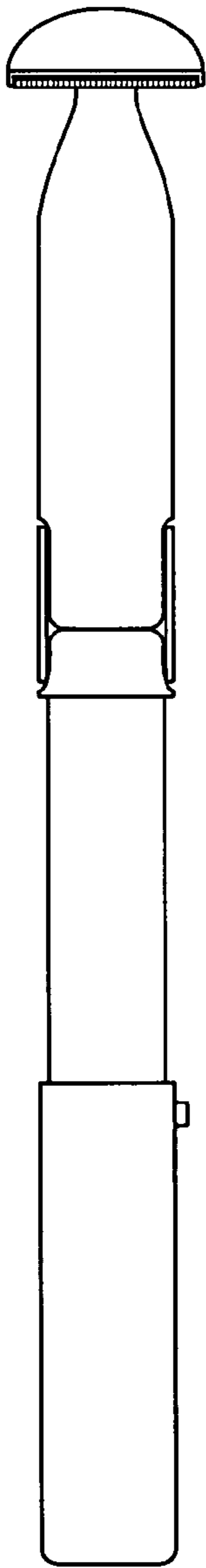


FIG. 1

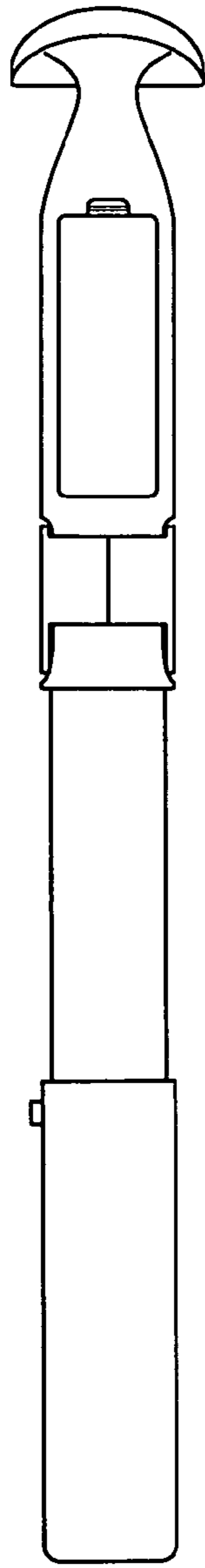


FIG. 2

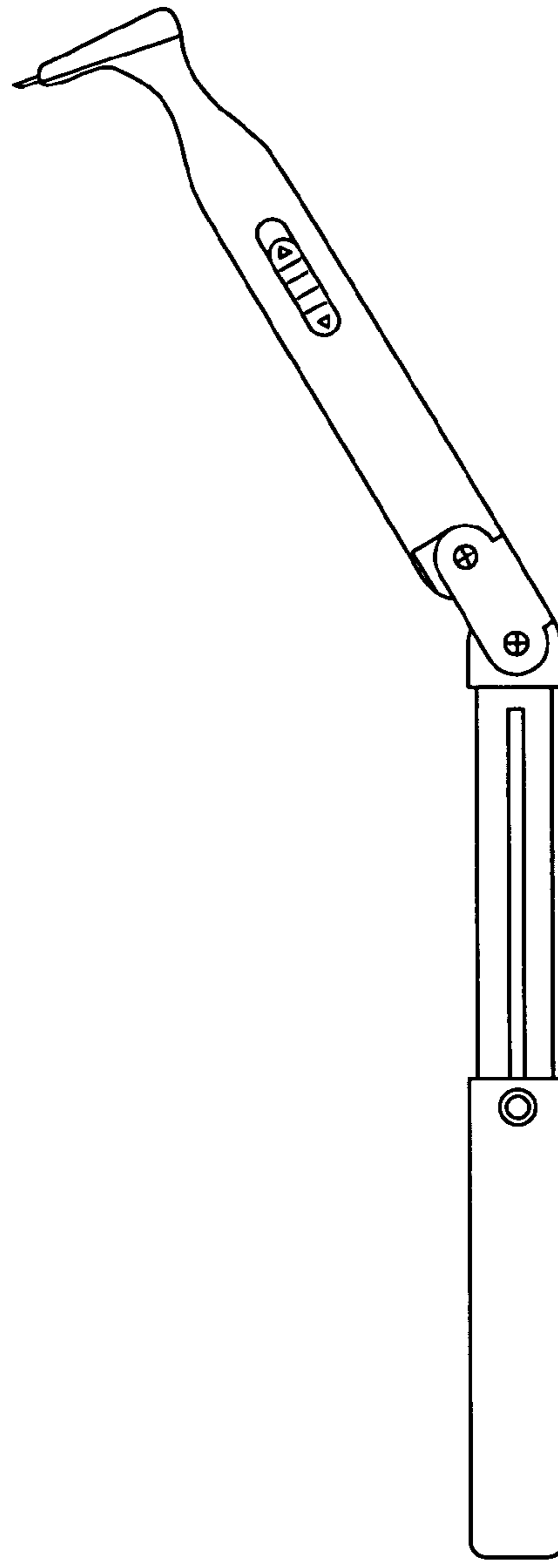


FIG. 3