



US00D611650S

(12) **United States Design Patent**  
**Broekhoff**

(10) **Patent No.:** **US D611,650 S**  
(45) **Date of Patent:** **\*\* Mar. 9, 2010**

(54) **LED LIGHT**

(75) **Inventor:** **Roy Wilhelmus Johannes Broekhoff,**  
Amersfoort (NL)

(73) **Assignee:** **Edroy Participatie B.V.,** Amersfoort  
(NL)

(\*\*) **Term:** **14 Years**

(21) **Appl. No.:** **29/321,160**

(22) **Filed:** **Jul. 11, 2008**

(30) **Foreign Application Priority Data**

Jan. 11, 2008 (EM) ..... 000834452-0001

(51) **LOC (9) Cl.** ..... **26-99**

(52) **U.S. Cl.** ..... **D26/134**

(58) **Field of Classification Search** ..... D26/128,  
D26/121, 142, 155, 138, 122, 154, 113, 120,  
D26/134, 118, 74, 88, 80, 87, 90, 60, 61,  
D26/65, 63, 28, 107, 110, 109, 108, 9, 10,  
D26/11, 13, 23, 24, 72, 86, 93, 96, 119, 141,  
D26/143, 148, 149, 152, 153; 362/517, 516,  
362/350, 349, 348, 347, 346, 341, 297, 601,  
362/606, 609, 612, 623, 566, 577, 34, 84,  
362/121, 98, 217.02-217.1, 241, 237, 238,  
362/296.01, 299, 300, 301, 302, 307, 308,  
362/309, 323, 326, 330, 331, 335, 336, 337,  
362/351, 370

See application file for complete search history.

(56) **References Cited**

**U.S. PATENT DOCUMENTS**

4,707,767 A \* 11/1987 Bergin et al. .... 362/544

D326,537 S \* 5/1992 Gattari ..... D26/74  
5,909,955 A \* 6/1999 Roorda ..... 362/368  
6,375,338 B1 \* 4/2002 Cummings et al. .... 362/276  
D488,583 S \* 4/2004 Benghozi ..... D26/118  
6,921,186 B1 \* 7/2005 Viskovich ..... 362/404  
D528,673 S \* 9/2006 Maxik et al. .... D26/2  
7,234,846 B2 \* 6/2007 Chen ..... 362/365  
D564,698 S \* 3/2008 Homann ..... D26/118  
D573,294 S \* 7/2008 Chan et al. .... D26/74  
2005/0254254 A1 \* 11/2005 Moseler et al. .... 362/520

\* cited by examiner

*Primary Examiner*—Cathron C Brooks

*Assistant Examiner*—Kevin K Rudzinski

(74) *Attorney, Agent, or Firm*—Troutman Sanders LLP; Ryan  
A. Schneider

(57) **CLAIM**

The ornamental design for an LED light, as shown and  
described.

**DESCRIPTION**

FIG. 1 is a front perspective view of an LED light of the  
present invention;

FIG. 2 is a left side view of the LED light of FIG. 1;

FIG. 3 is a right side view of the LED light of FIG. 1;

FIG. 4 is a top side view of the LED light of FIG. 1;

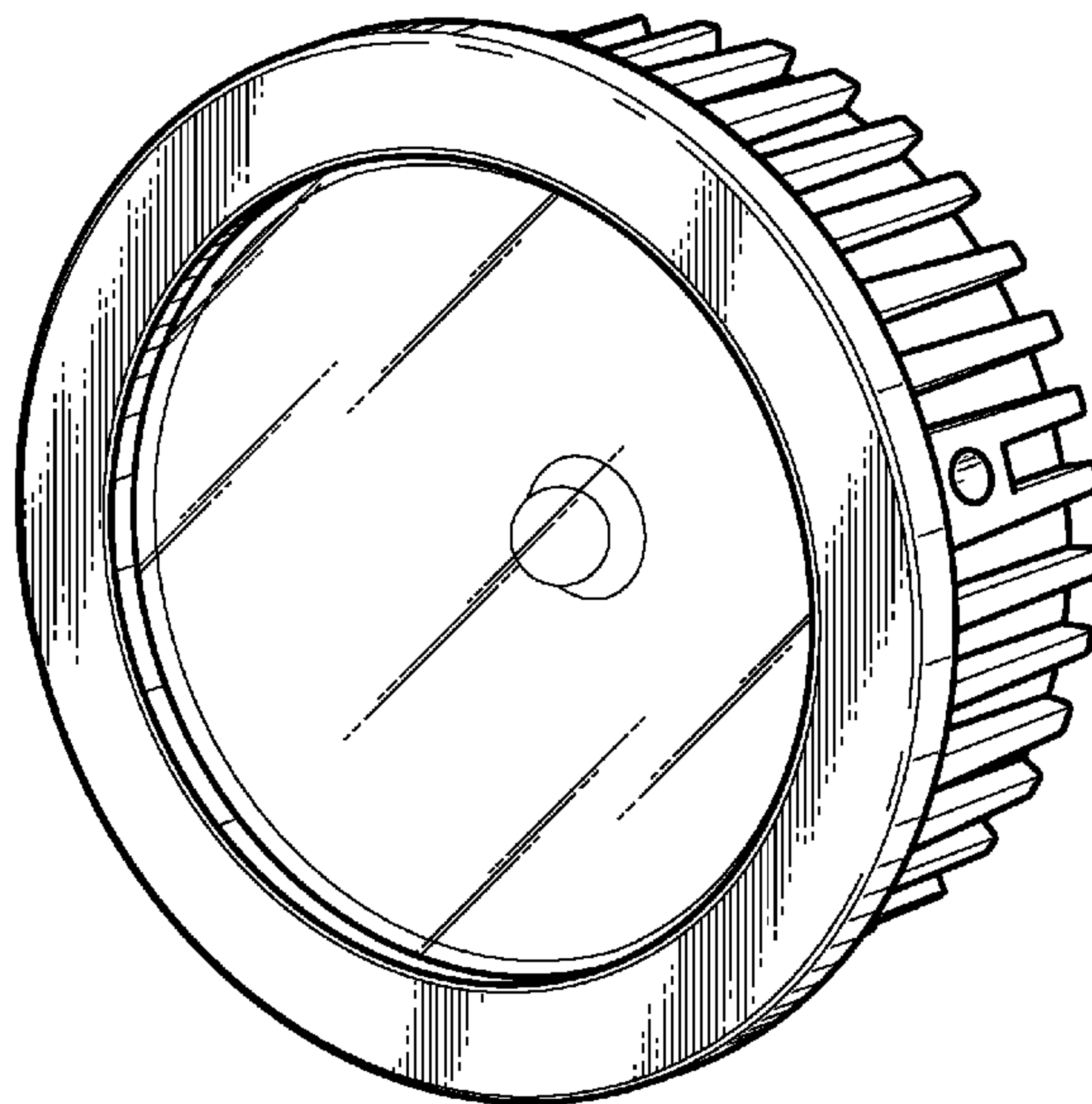
FIG. 5 is a bottom side view of the LED light of FIG. 1;

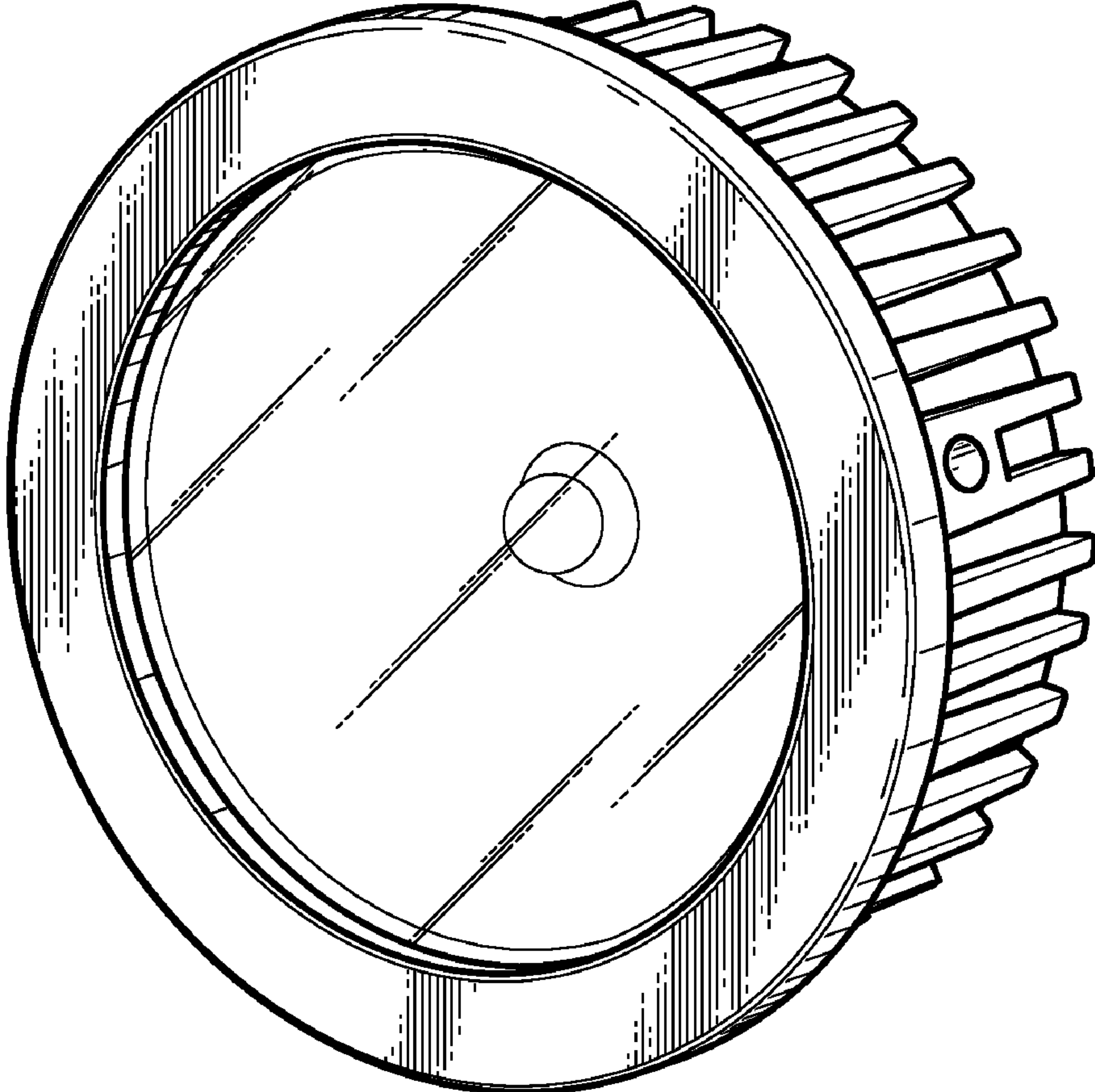
FIG. 6 is a front side view of the LED light of FIG. 1; and,

FIG. 7 is a back side view of the LED light of FIG. 1.

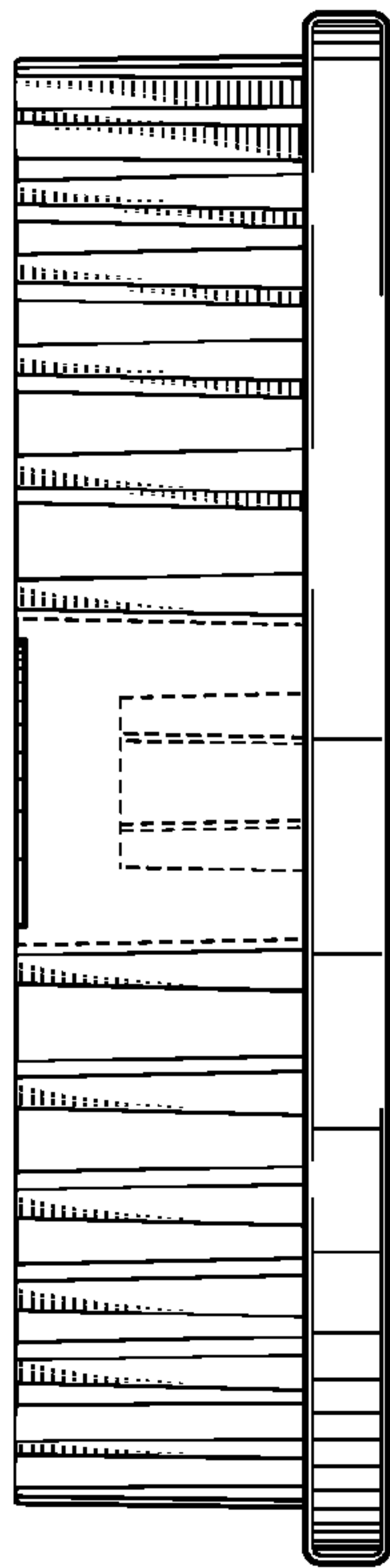
The broken lines shown are included for the purpose of illus-  
trating unclaimed portions of the design and form no part of  
the claimed design.

**1 Claim, 3 Drawing Sheets**

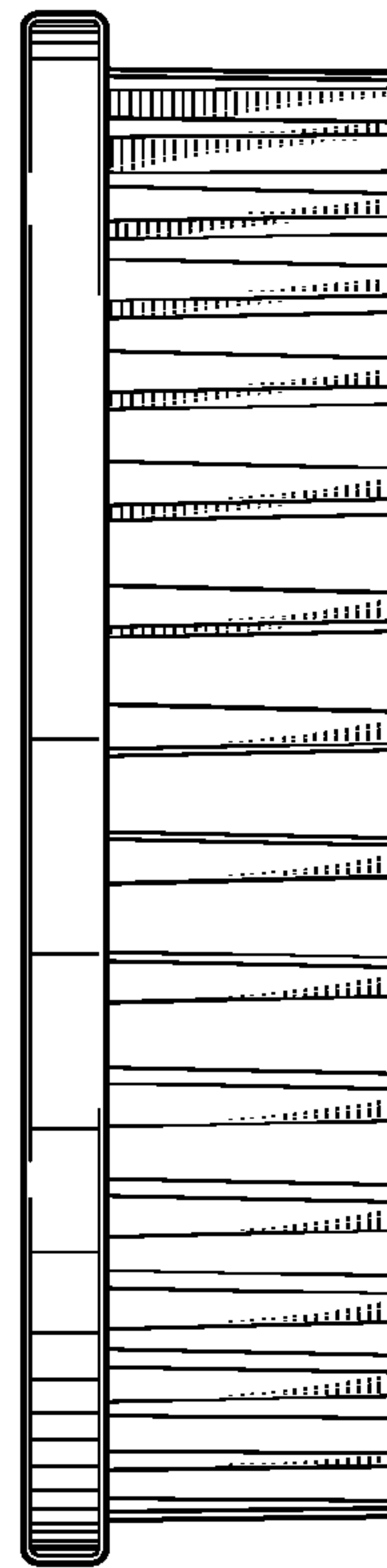




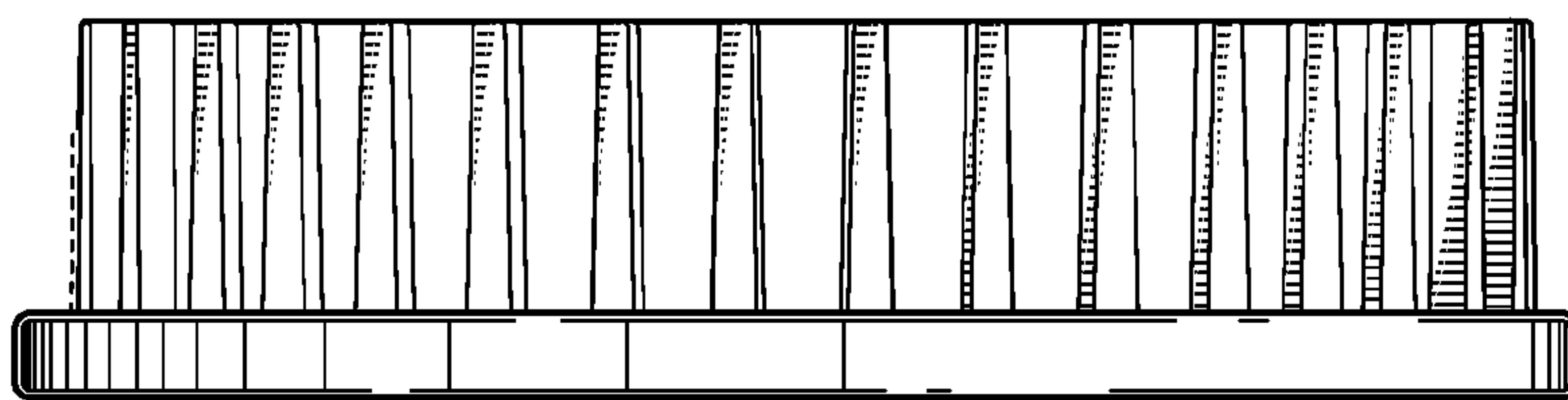
**FIG. 1**



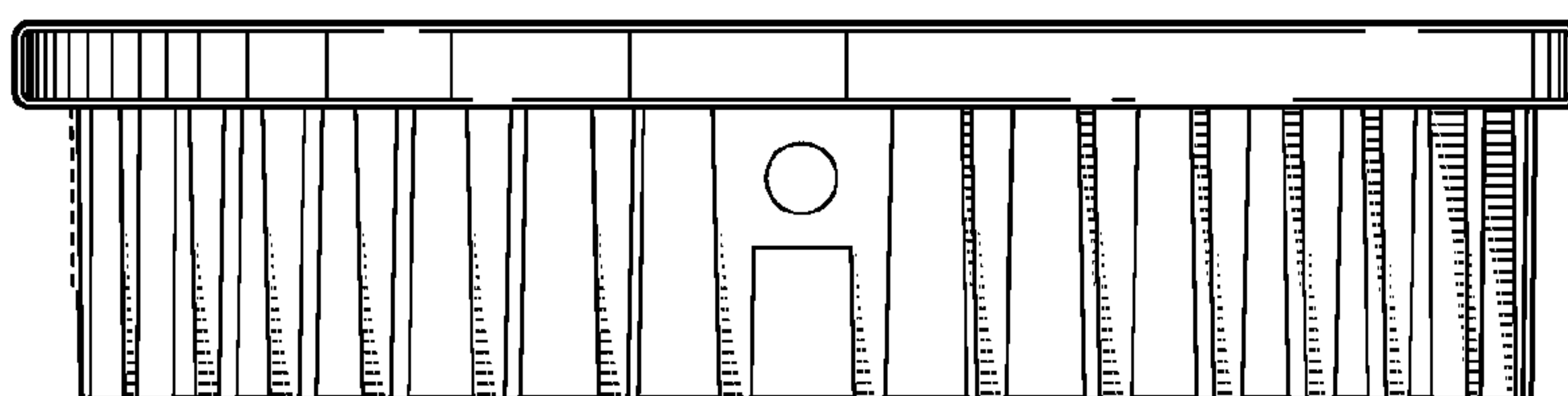
**FIG. 2**



**FIG. 3**

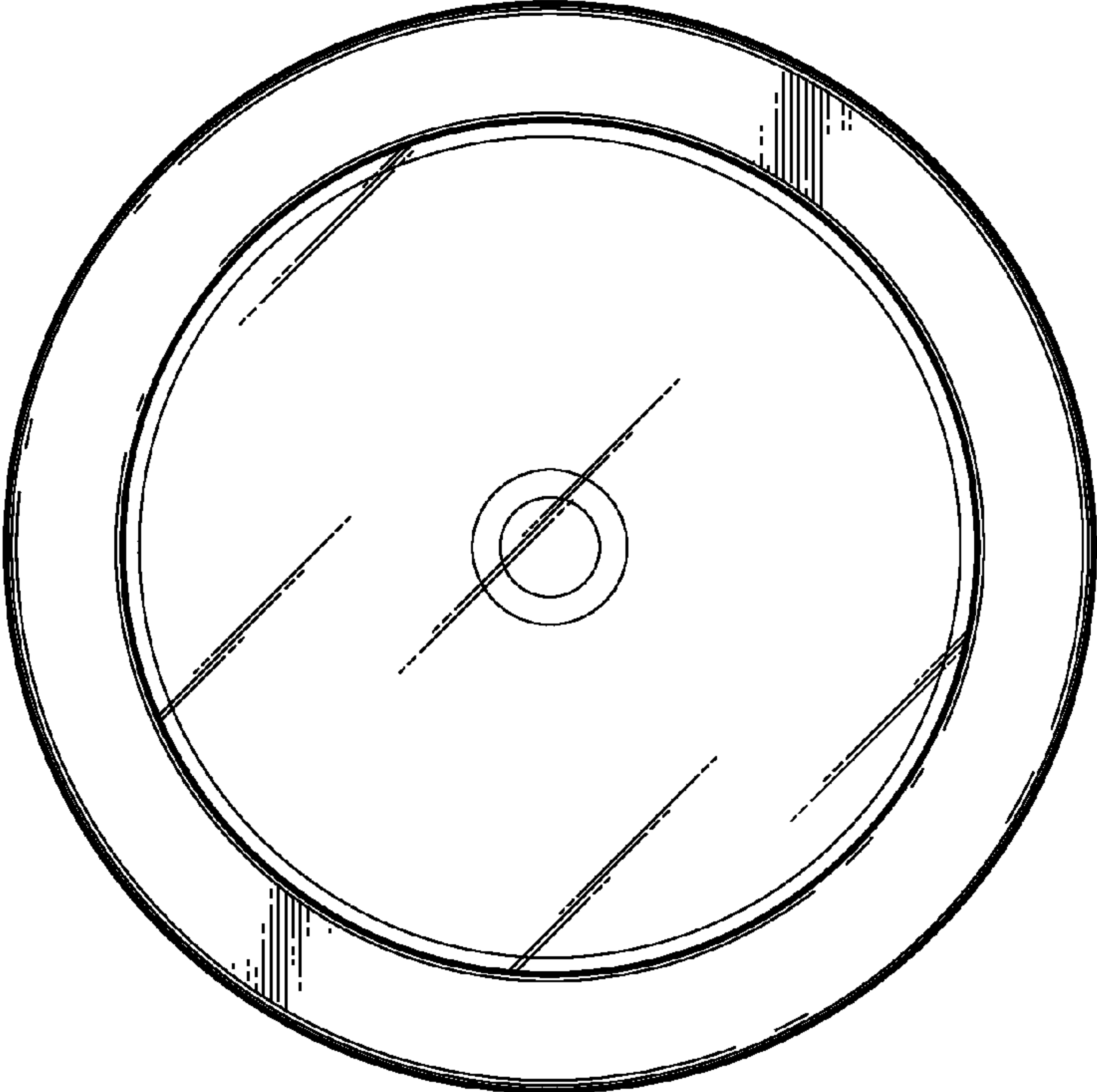


**FIG. 4**



**FIG. 5**

**FIG. 6**



**FIG. 7**

