



US00D611649S

(12) **United States Design Patent**  
**Chen**

(10) **Patent No.:** **US D611,649 S**  
(45) **Date of Patent:** **\*\* Mar. 9, 2010**

(54) **LAMPSHADE**

(75) Inventor: **Chin-Yi Chen**, Taipei County (TW)

(73) Assignee: **Yi-Jin Industrial Co., Ltd.**,  
Xin-Zhuang, Taipei County (TW)

(\*\*) Term: **14 Years**

(21) Appl. No.: **29/311,644**

(22) Filed: **May 13, 2009**

(51) **LOC (9) Cl.** ..... **26-99**

(52) **U.S. Cl.** ..... **D26/128**

(58) **Field of Classification Search** ..... D26/25,  
D26/27, 28, 120, 122, 128, 89, 113, 24, 2,  
D26/3, 124; 362/240, 545, 235, 334, 327,  
362/241; D13/180

See application file for complete search history.

(56) **References Cited**

**U.S. PATENT DOCUMENTS**

D31,856	S *	11/1899	Buffington	.....	D26/24
D264,254	S *	5/1982	Heritage	.....	D26/74
D350,214	S *	8/1994	Kramer	.....	D26/128
D385,051	S *	10/1997	Wu	.....	D26/2
6,659,632	B2 *	12/2003	Chen	.....	362/545
D485,390	S *	1/2004	Stancik et al.	.....	D26/104
D495,822	S *	9/2004	Yoneda	.....	D26/124
6,840,654	B2 *	1/2005	Guerrieri et al.	.....	362/241
6,953,264	B2 *	10/2005	Ter-Hovhannisian	.....	362/241
D511,787	S *	11/2005	Galli	.....	D16/134
7,070,443	B2 *	7/2006	Tashiro et al.	.....	439/419
D535,262	S *	1/2007	Saito et al.	.....	D13/180
D538,950	S *	3/2007	Maxik	.....	D26/2
D539,944	S *	4/2007	Egawa et al.	.....	D26/24
7,207,700	B2 *	4/2007	Fallahi et al.	.....	362/334

D544,117	S *	6/2007	Coushaine	.....	D26/37
2002/0093820	A1 *	7/2002	Pederson	.....	362/241
2003/0137838	A1 *	7/2003	Rizkin et al.	.....	362/240
2005/0174769	A1 *	8/2005	Yong et al.	.....	362/235

\* cited by examiner

*Primary Examiner*—Cathron C Brooks

*Assistant Examiner*—Kevin K Rudzinski

(74) *Attorney, Agent, or Firm*—Bacon & Thomas, PLLC

(57) **CLAIM**

The ornamental design for a lampshade, as shown and described.

**DESCRIPTION**

FIG. 1 is a perspective view of a lampshade showing my new design;

FIG. 2 is a front elevational view thereof;

FIG. 3 is a rear elevational view thereof;

FIG. 4 is a left side elevational view thereof;

FIG. 5 is a right side elevational view thereof;

FIG. 6 is a top plan view thereof;

FIG. 7 is a bottom plan view thereof;

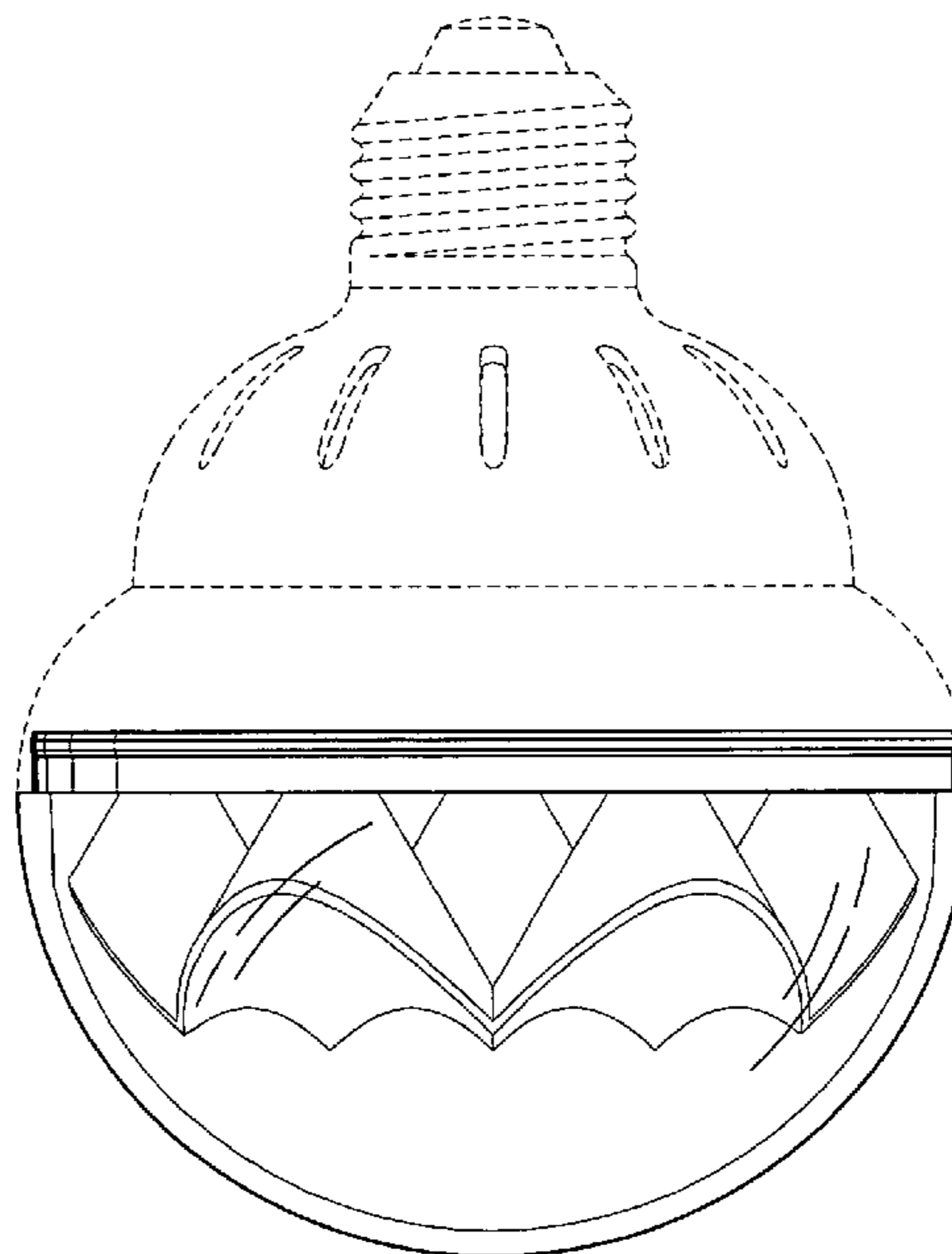
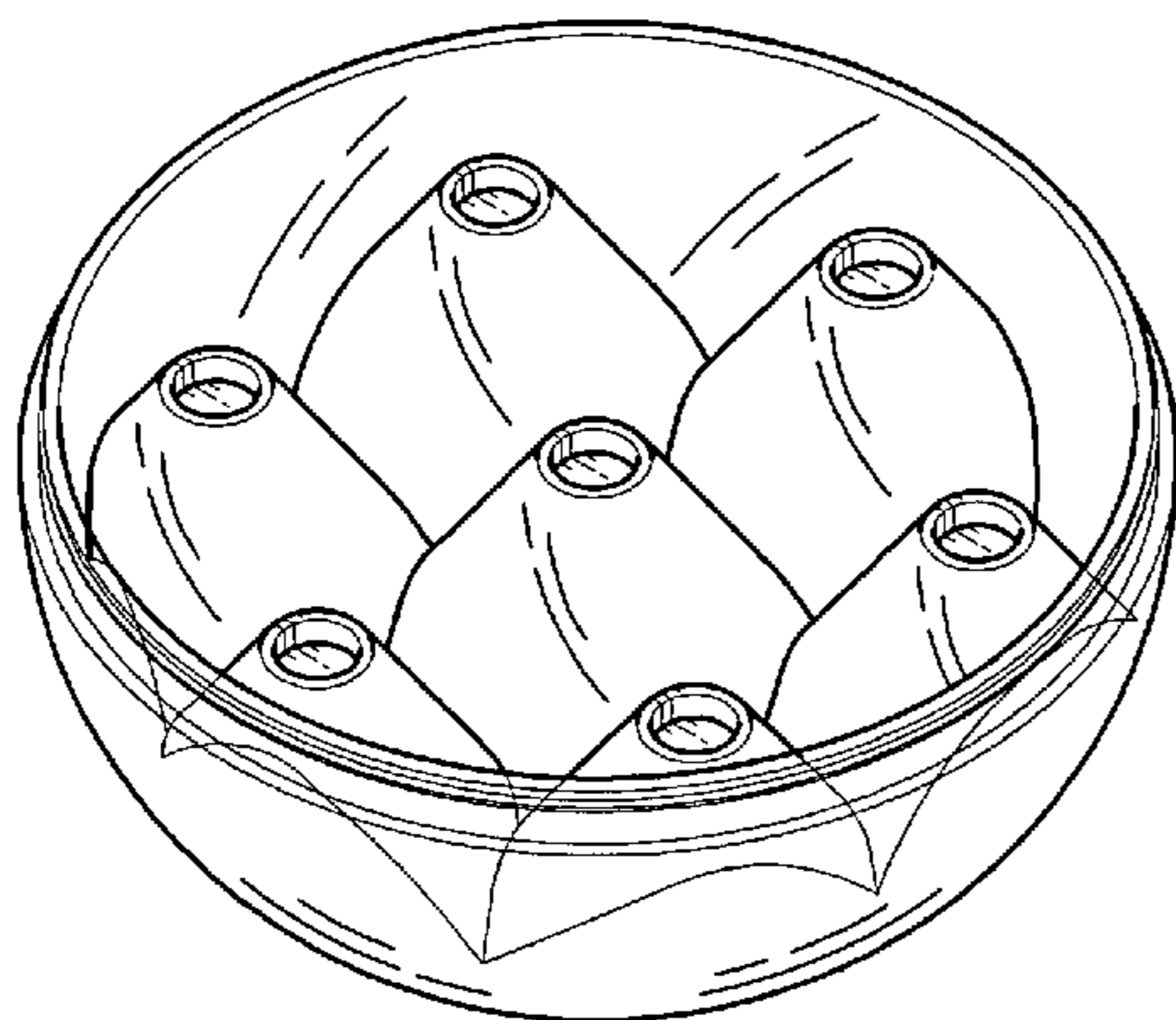
FIG. 8 is a cross-sectional view taken along line 8—8 shown in FIG. 6.

FIG. 9 is a top perspective view thereof; and,

FIG. 10 is a side elevational view of the lampshade showing the environment of the invention.

The broken lines shown in FIG. 10 are included for the purpose of illustrating environmental structure and form no part of the claimed design.

**1 Claim, 7 Drawing Sheets**



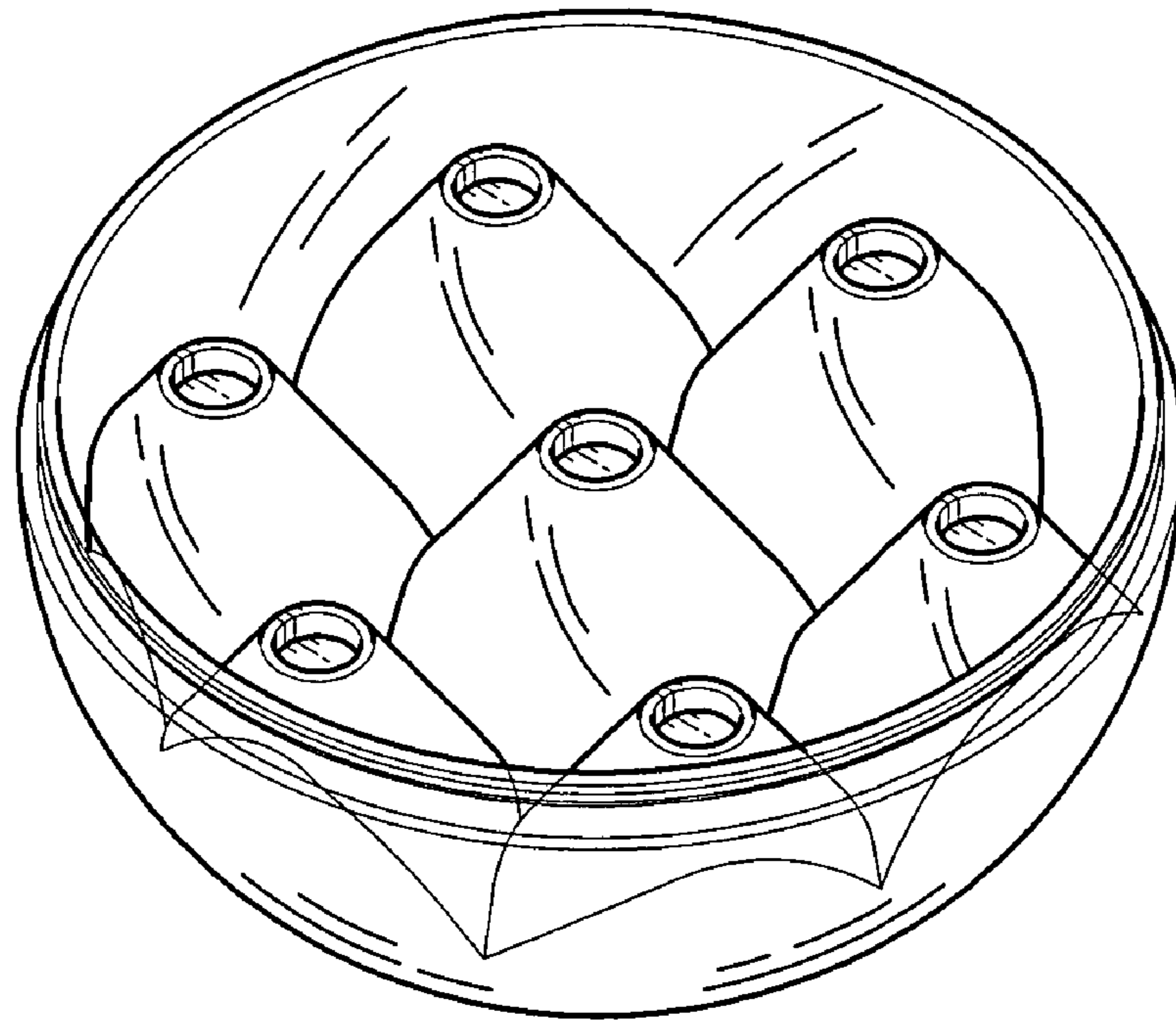


FIG. 1

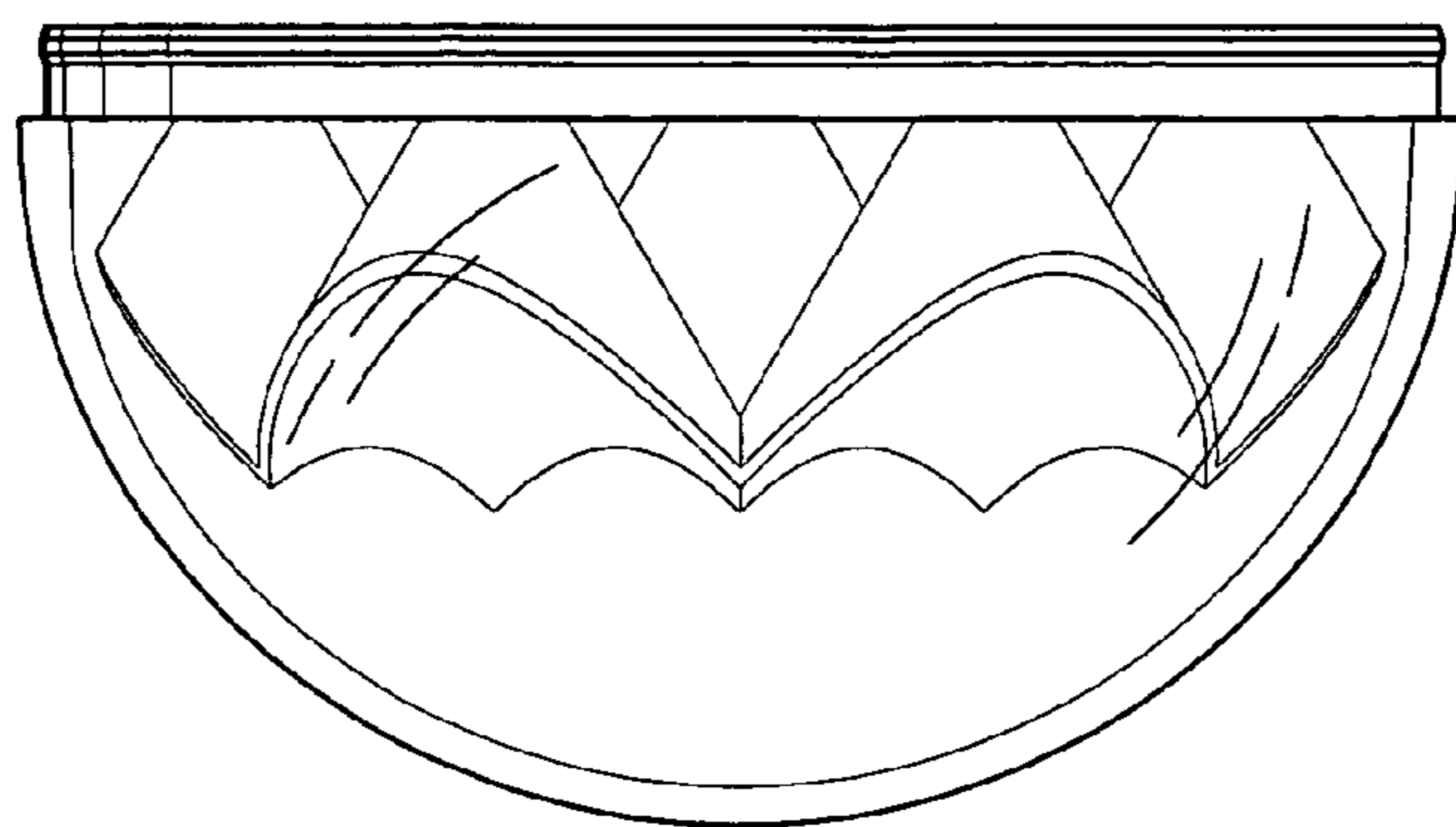


FIG. 2

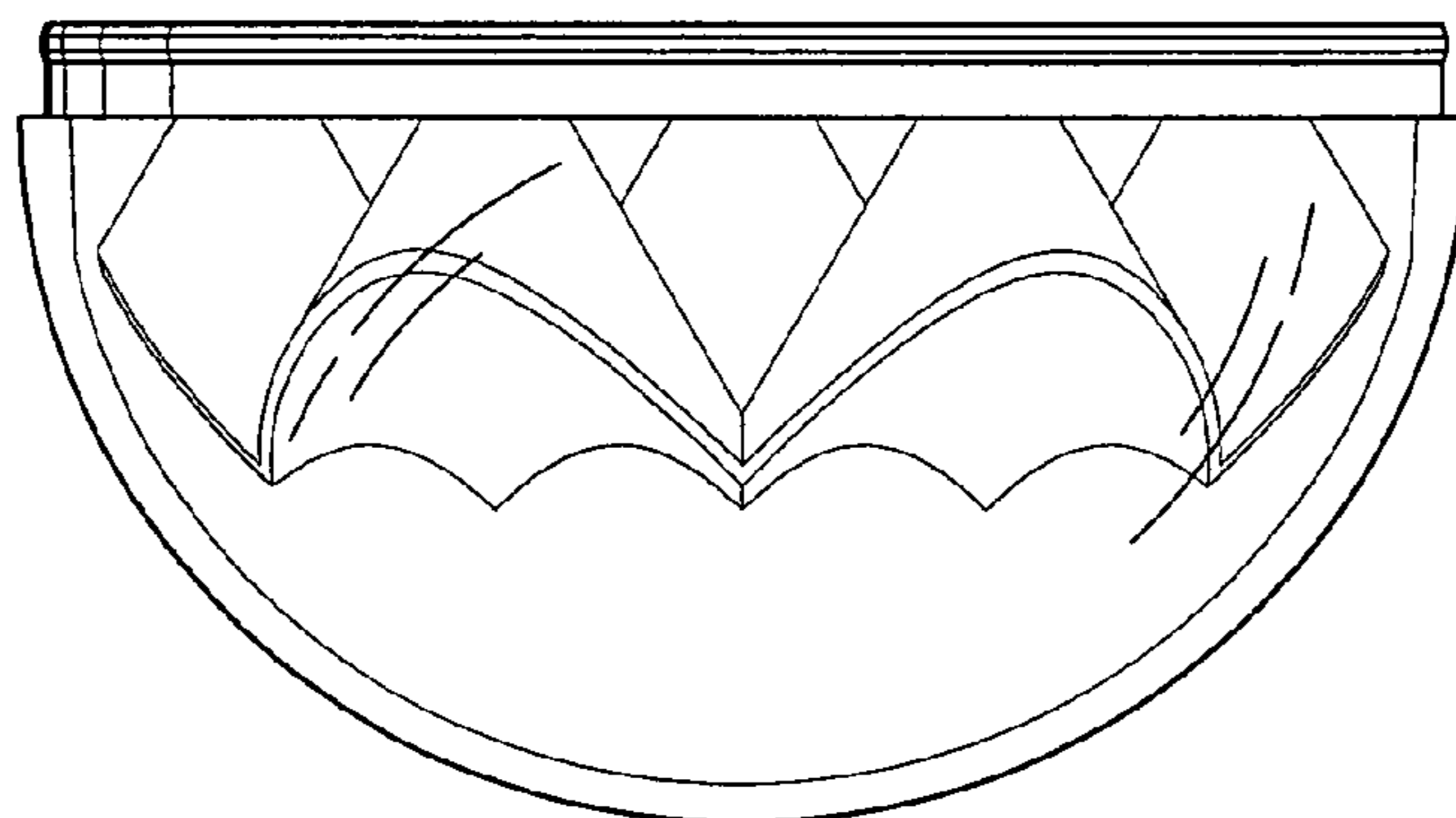


FIG. 3

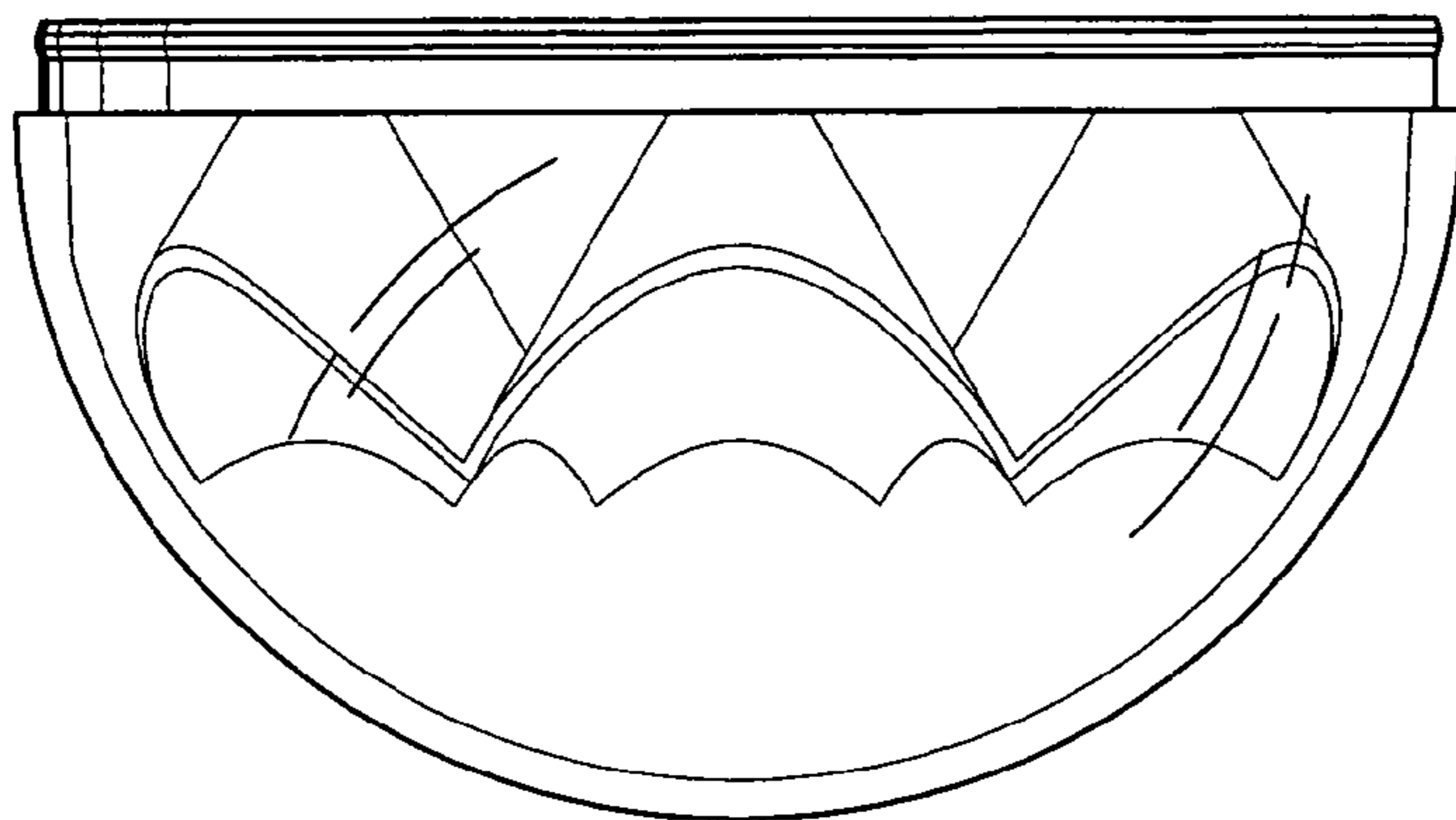


FIG. 4

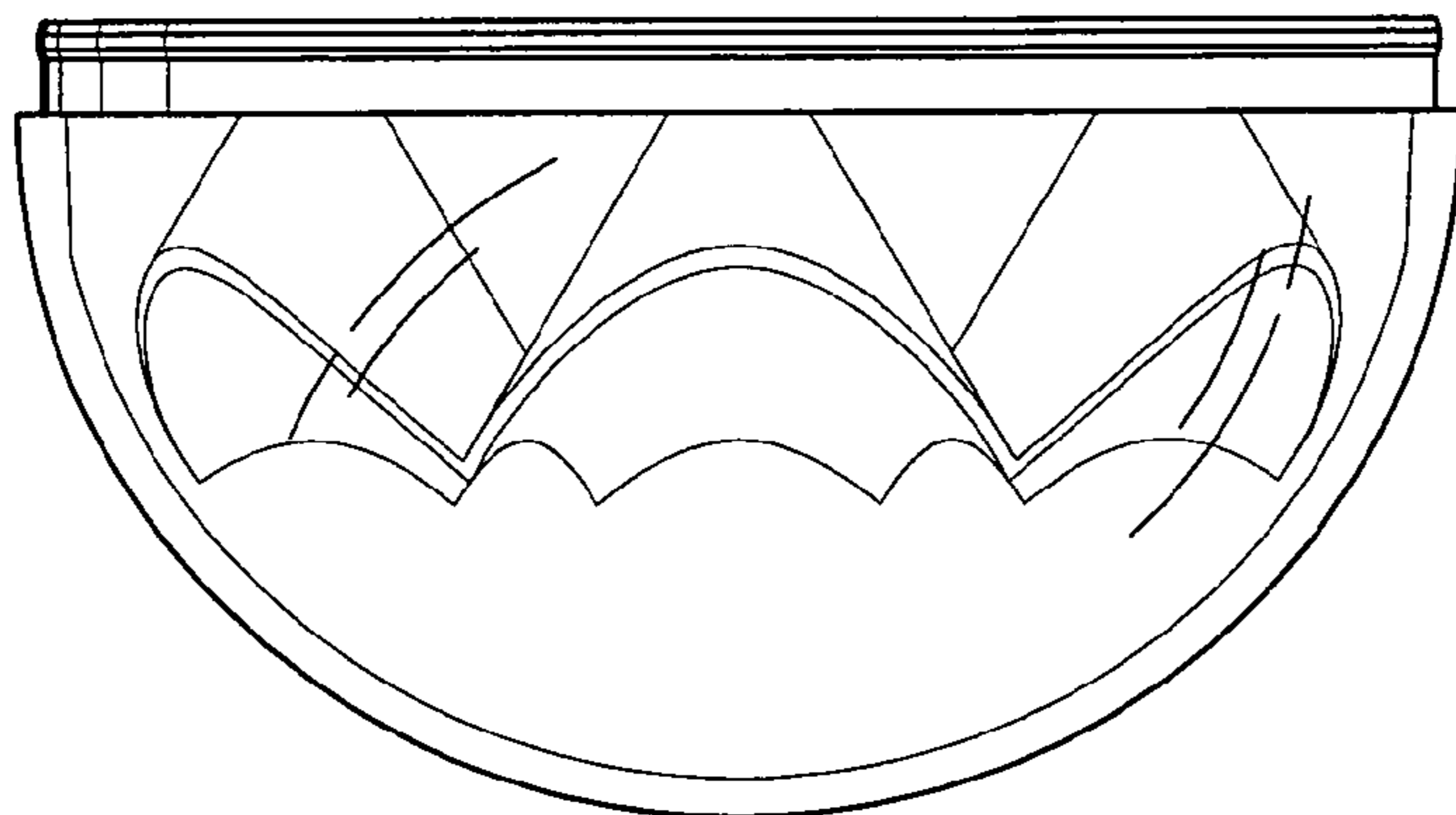


FIG. 5

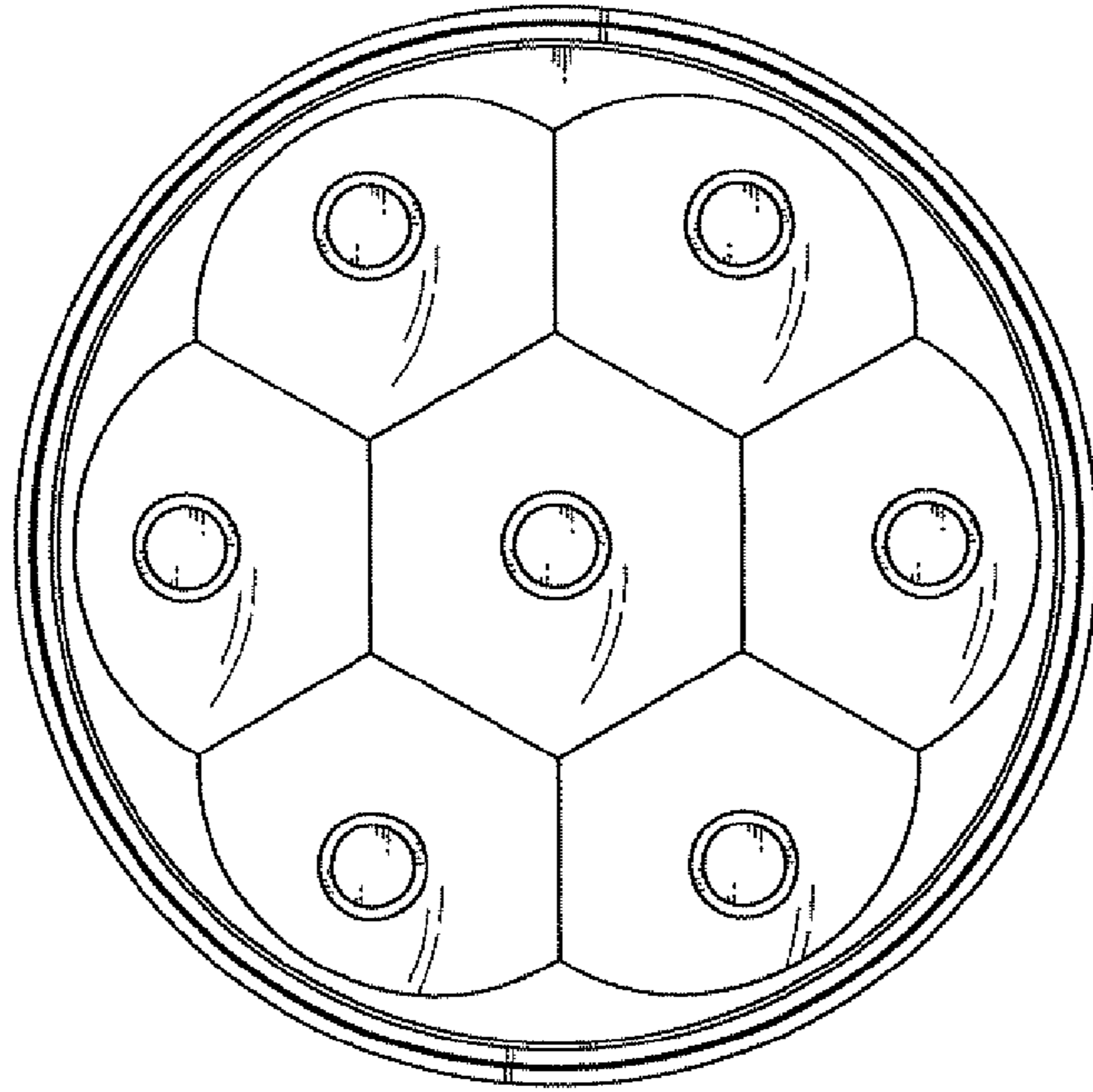


FIG. 6

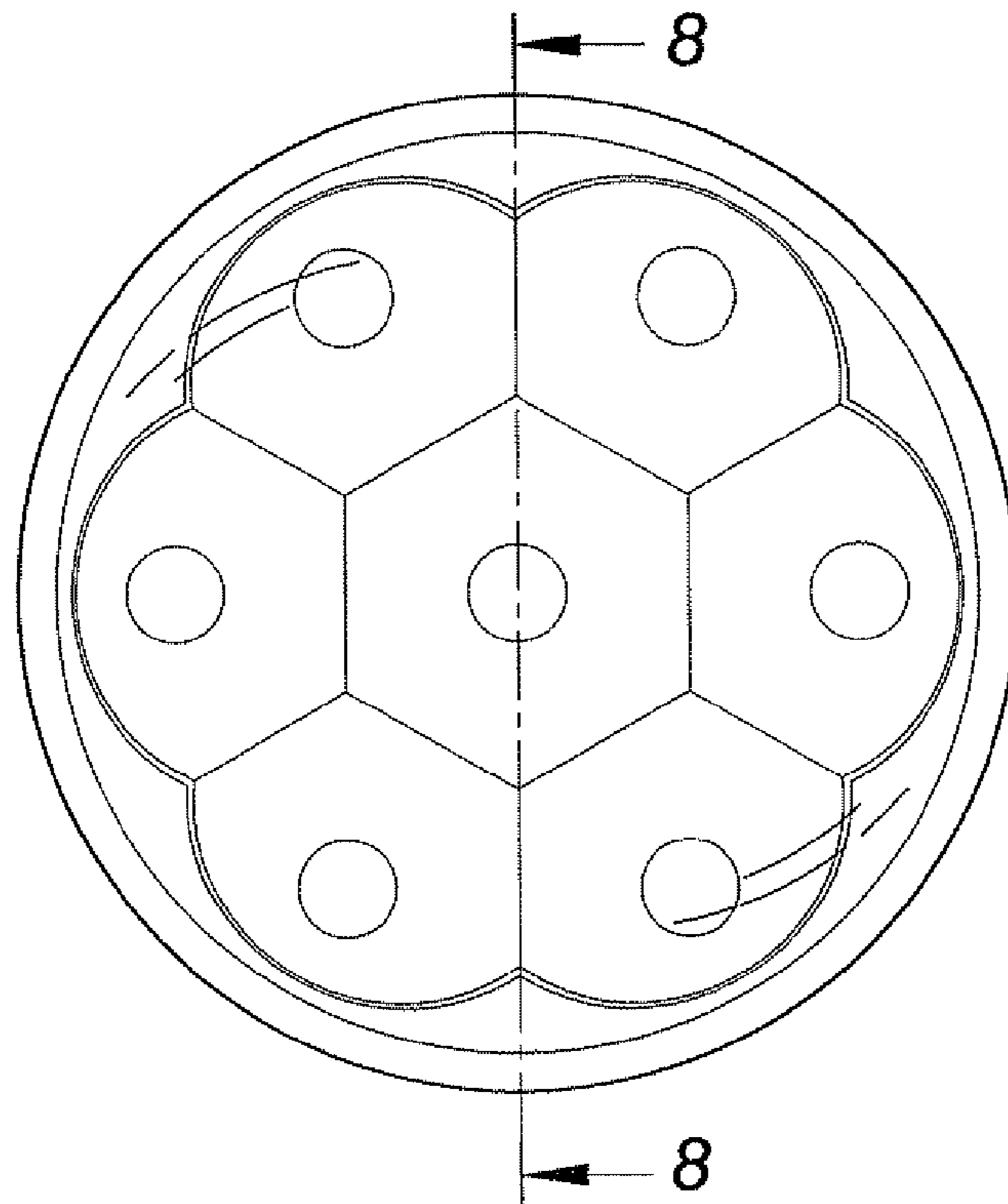


FIG. 7

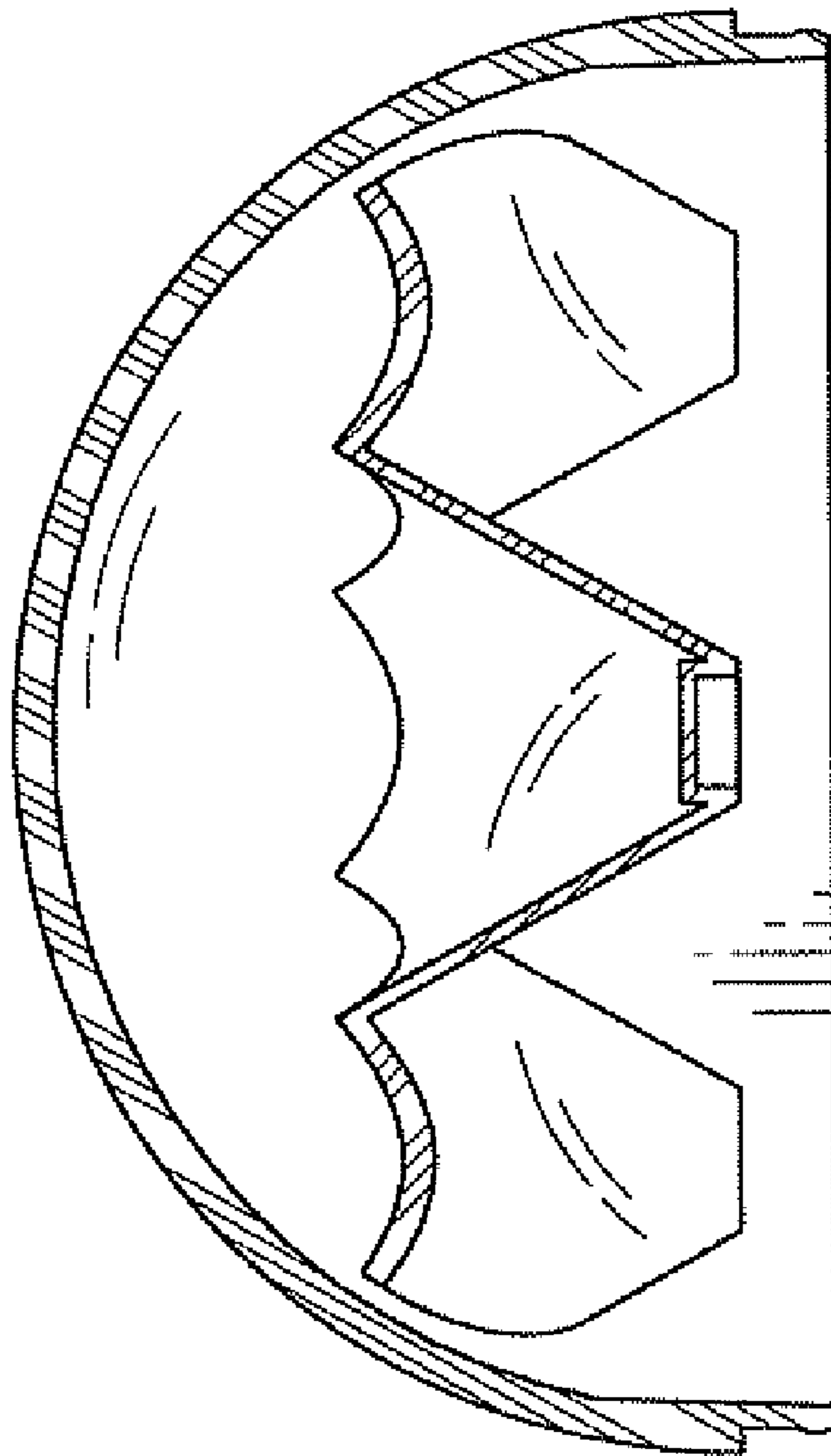


FIG. 8

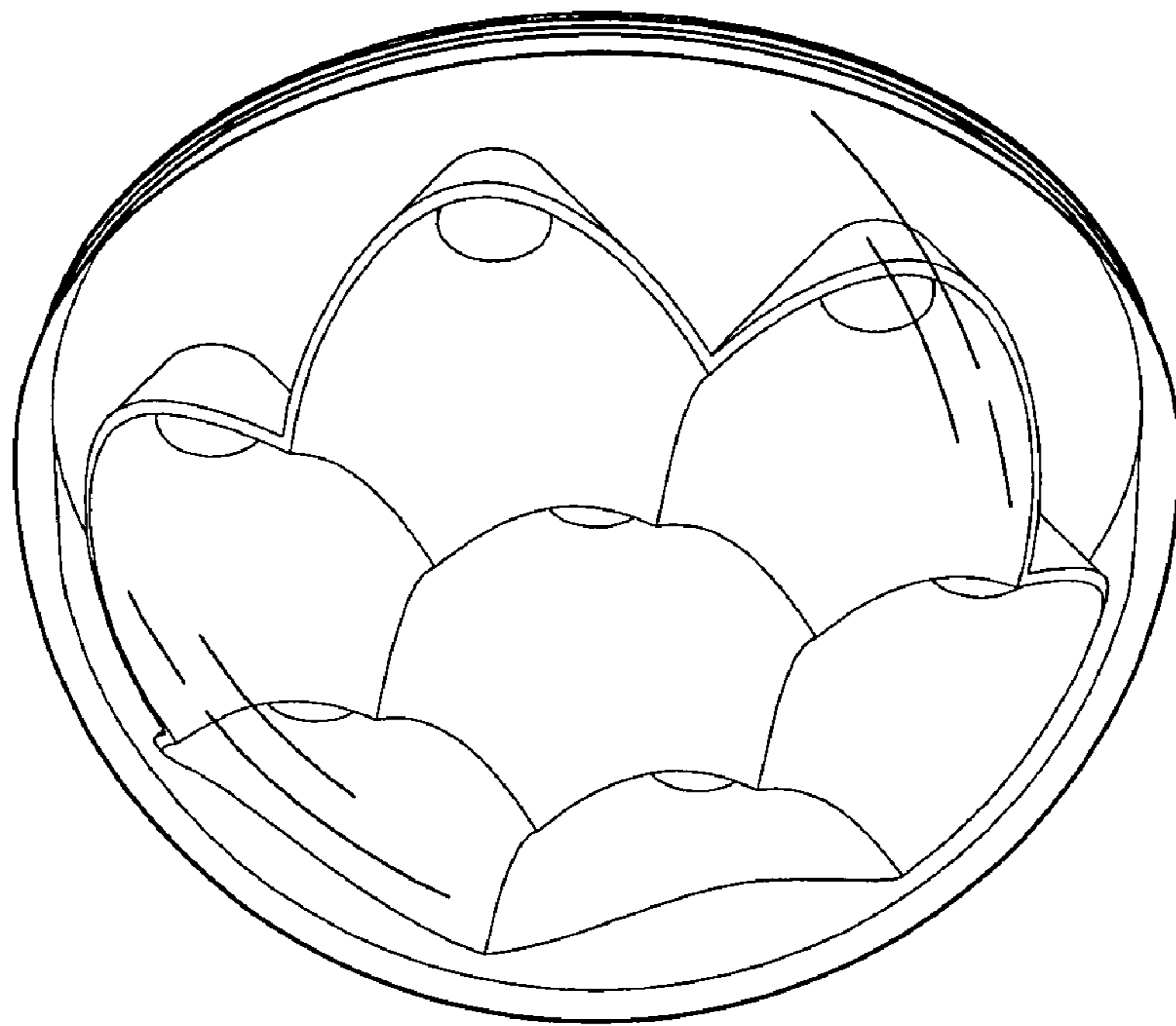


FIG. 9

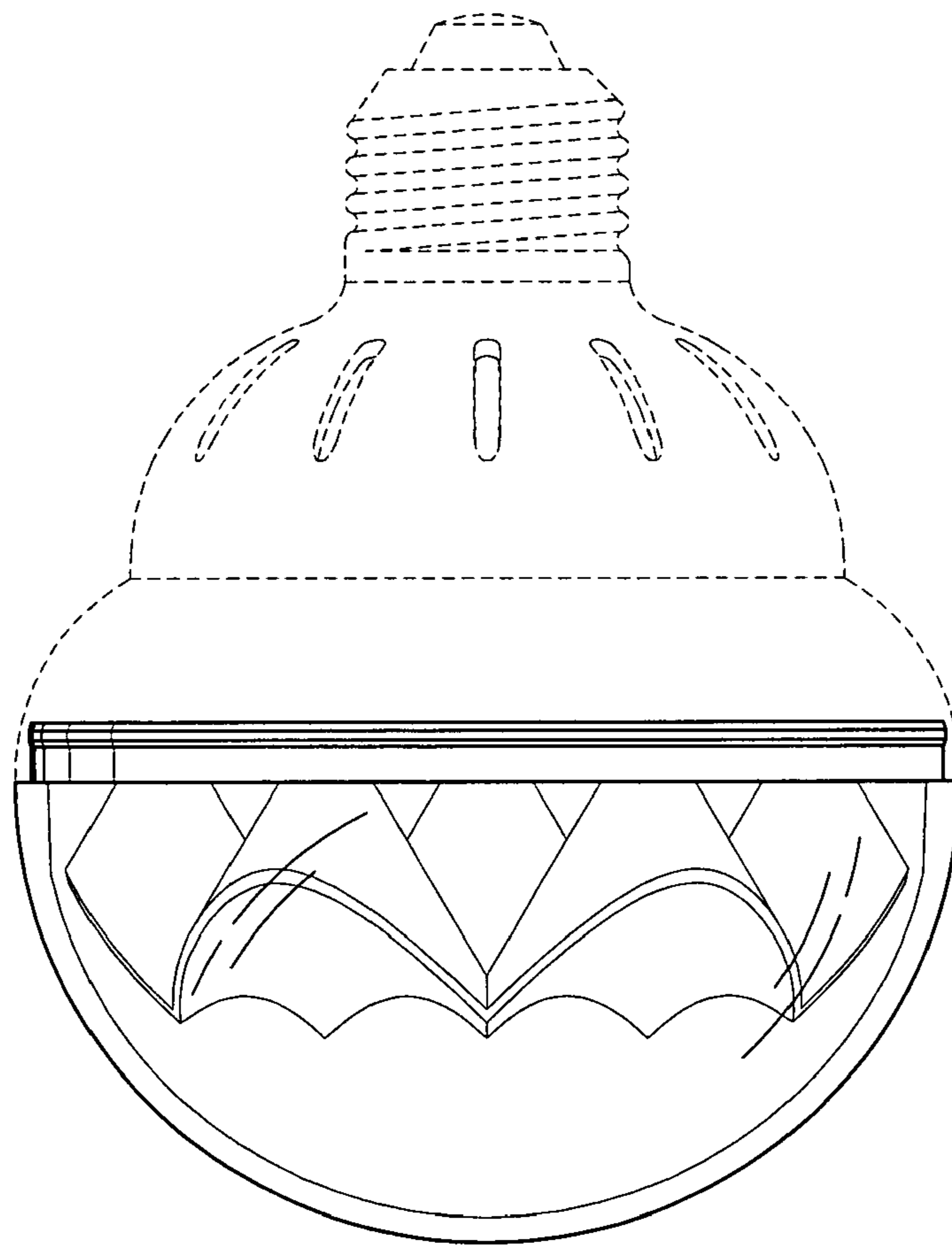


FIG. 10