



US00D611648S

(12) **United States Design Patent**
Coplin et al.

(10) **Patent No.:** **US D611,648 S**
(45) **Date of Patent:** **** Mar. 9, 2010**

(54) **LED LIGHT ENGINE**
(75) Inventors: **Barry Cason Coplin**, Fairway, KS (US);
John Robert Householder, Reading,
MA (US); **Clifford Earl Wilson**, Holt,
MO (US)

(73) Assignee: **Ecofit Lighting, LLC**, Lenexa, KS (US)

(**) Term: **14 Years**

(21) Appl. No.: **29/344,835**

(22) Filed: **Oct. 5, 2009**

(51) **LOC (9) Cl.** **26-99**

(52) **U.S. Cl.** **D26/120**

(58) **Field of Classification Search** D26/145,
D26/154, 155, 142, 118, 138, 120, 92, 87,
D26/71, 67, 60, 62, 63, 68, 70, 72, 80, 81,
D26/85, 86, 88, 113, 140, 141, 143, 144,
D26/153; D25/126, 127; 52/28, 295; 362/432,
362/443, 800, 431, 153, 153.1, 395, 401,
362/405, 410

See application file for complete search history.

(56) **References Cited**

U.S. PATENT DOCUMENTS

| | | | |
|---------------|---------|----------------------|---------|
| D194,479 S * | 1/1963 | Pettengill | D26/71 |
| 3,183,346 A * | 5/1965 | Rodmaker et al. | 362/218 |
| D278,461 S * | 4/1985 | Pepall | D24/210 |
| D391,659 S * | 3/1998 | Gaskins et al. | D26/71 |
| D439,695 S * | 3/2001 | Compton et al. | D26/87 |
| D531,342 S * | 10/2006 | Kauffman et al. | D26/68 |
| D535,774 S * | 1/2007 | Weston et al. | D26/72 |
| D568,521 S * | 5/2008 | Compton | D26/71 |
| D570,025 S * | 5/2008 | Walker | D26/71 |
| D573,288 S * | 7/2008 | Xu et al. | D26/67 |

| | | | |
|--------------|---------|-------------------|--------|
| D573,290 S * | 7/2008 | Shuai et al. | D26/67 |
| D577,455 S * | 9/2008 | Zheng et al. | D26/71 |
| D578,697 S * | 10/2008 | Zheng et al. | D26/71 |
| D580,577 S * | 11/2008 | Wang et al. | D26/63 |
| D596,777 S * | 7/2009 | Gordin | D26/63 |
| D599,936 S * | 9/2009 | Wang et al. | D26/67 |
| D599,941 S * | 9/2009 | Wang et al. | D26/71 |
| D599,942 S * | 9/2009 | Zheng | D26/71 |

* cited by examiner

Primary Examiner—Cathron C Brooks

Assistant Examiner—Kevin K Rudzinski

(74) *Attorney, Agent, or Firm*—Polsinelli Shughart, PC

(57) **CLAIM**

The ornamental design for a LED light engine, as shown and described.

DESCRIPTION

FIG. 1 is a bottom perspective view of the LED light engine showing our new design, the LED light engine being installed in a streetlight luminaire, with the street light luminaire shown in broken lines not being part of such design;

FIG. 2 is a top perspective view of the LED light engine;

FIG. 3 is a front view of the LED light engine;

FIG. 4 is a rear view of the LED light engine;

FIG. 5 is a left side view of the LED light engine;

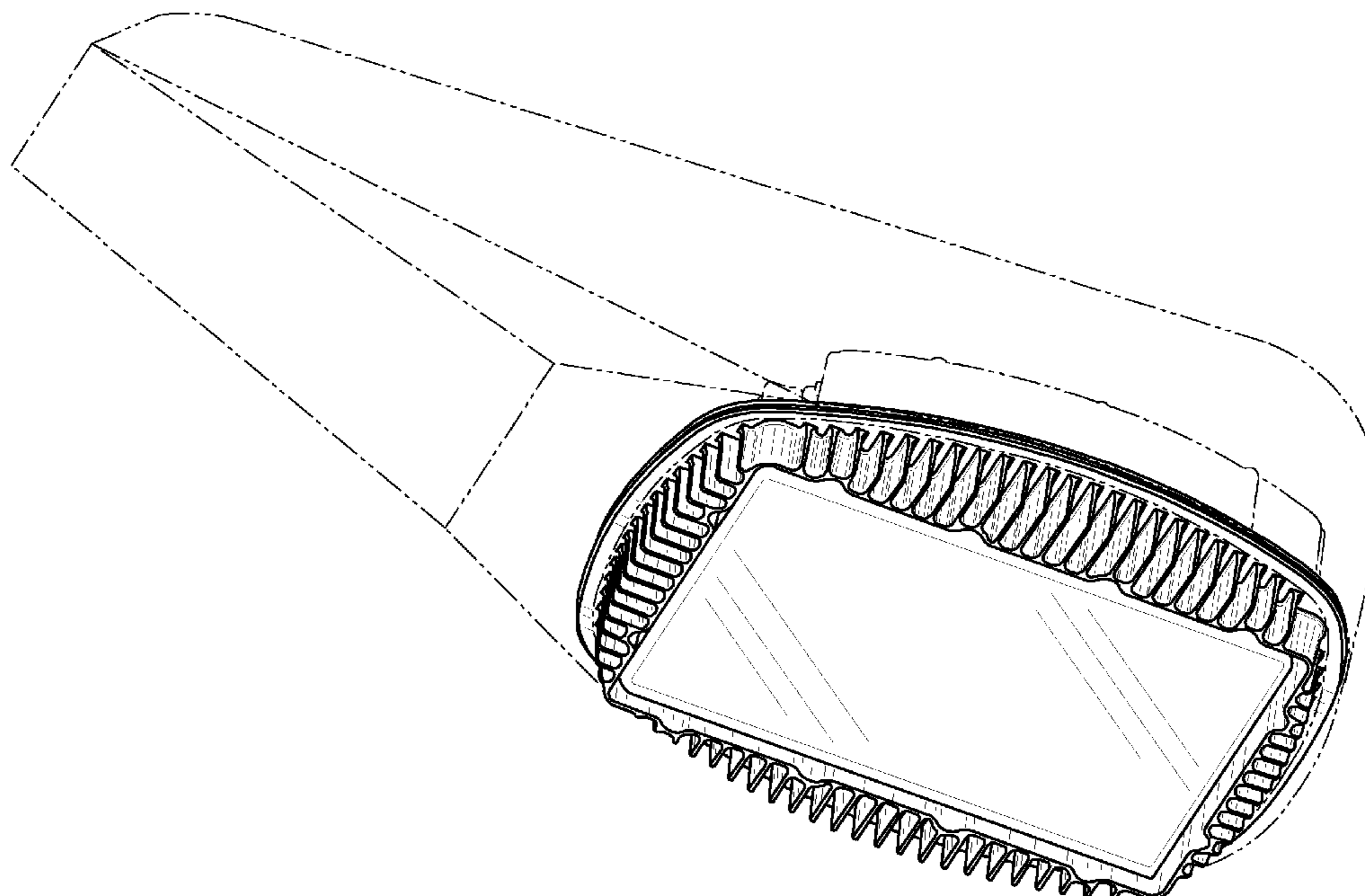
FIG. 6 is a right side view of the LED light engine;

FIG. 7 is a top view of the LED light engine; and,

FIG. 8 is a bottom view of the LED light engine.

The broken lines shown are for illustrative purposes only and form no part of the claimed design.

1 Claim, 5 Drawing Sheets



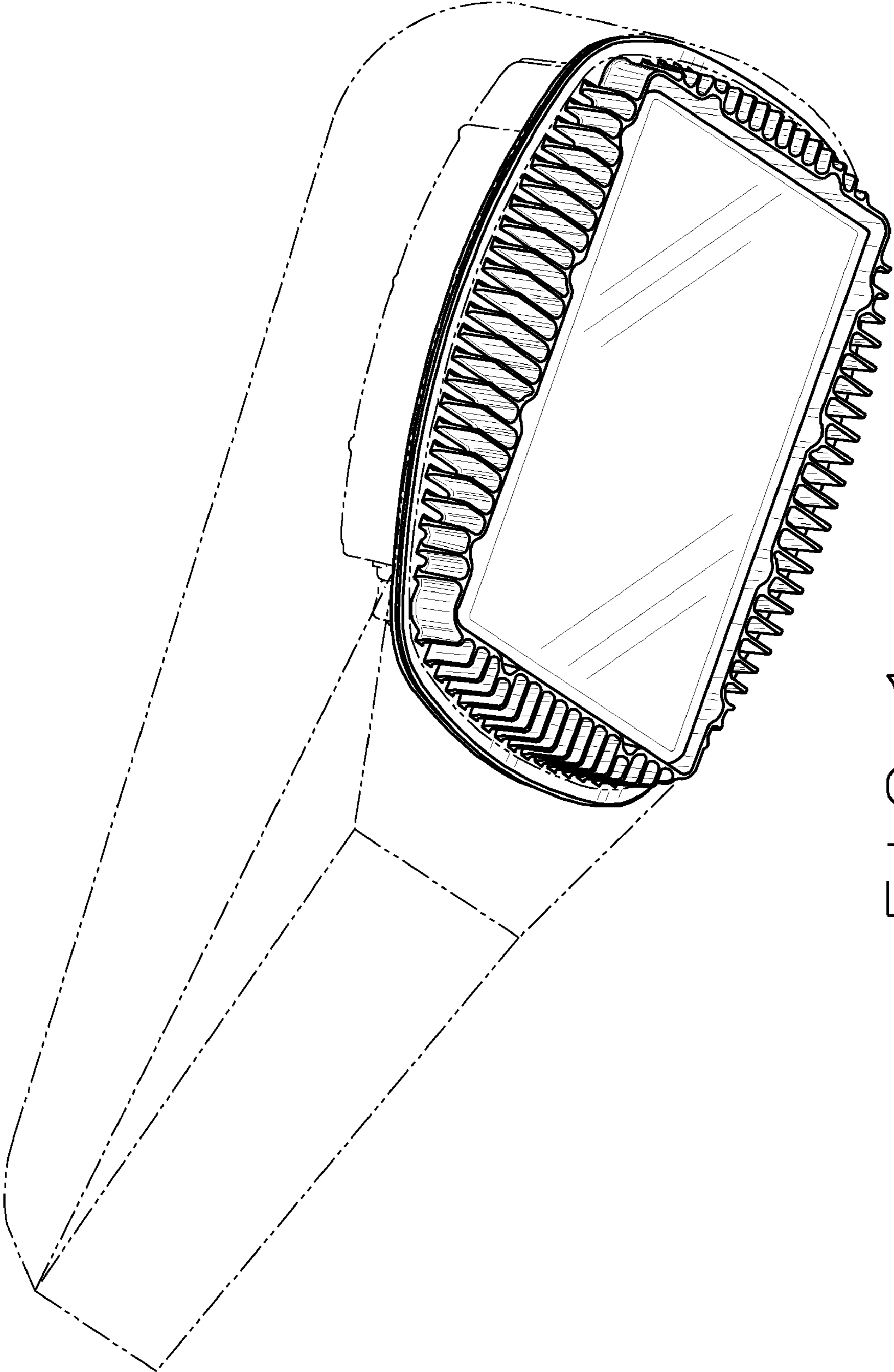


FIG. 1

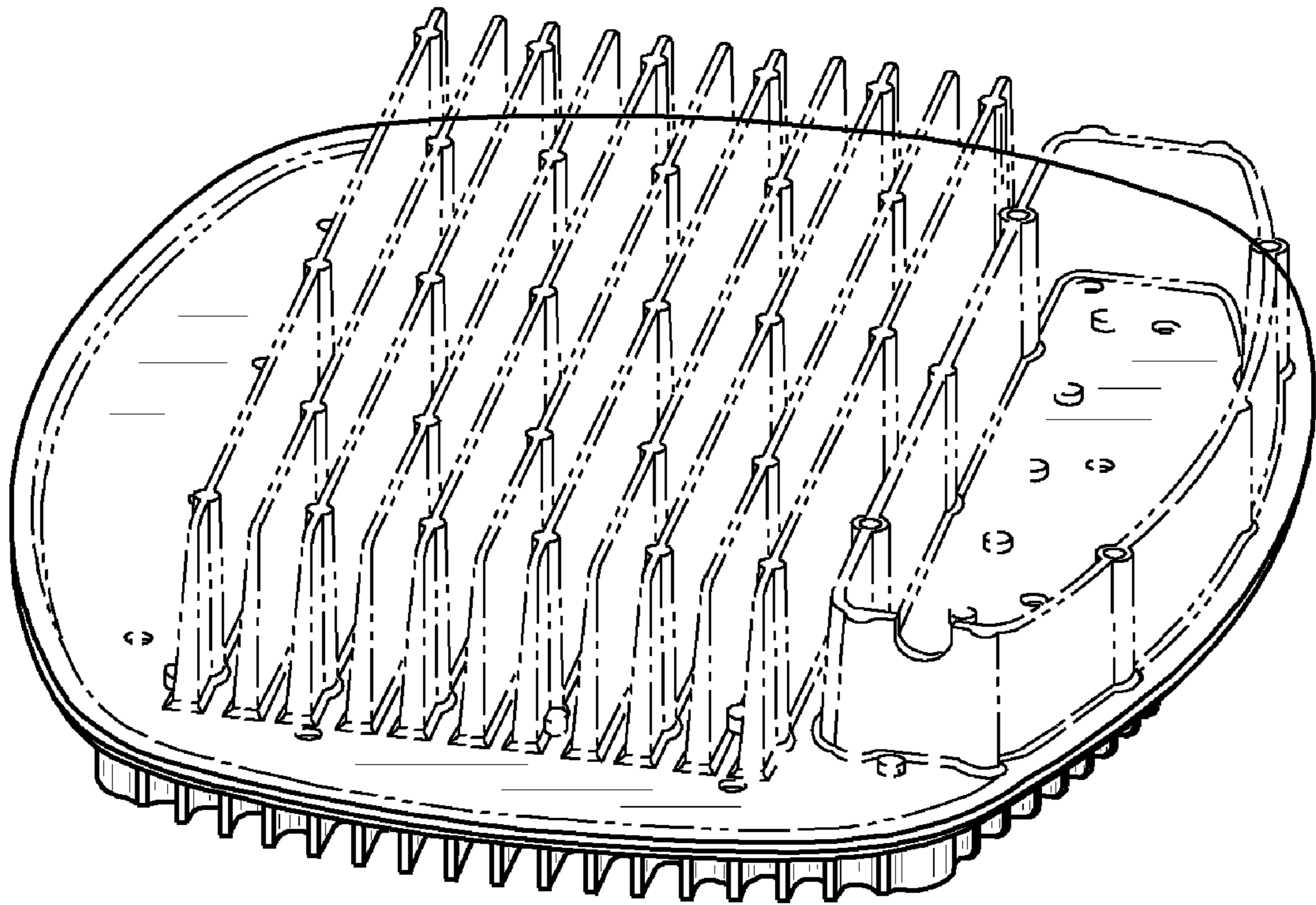


FIG. 2

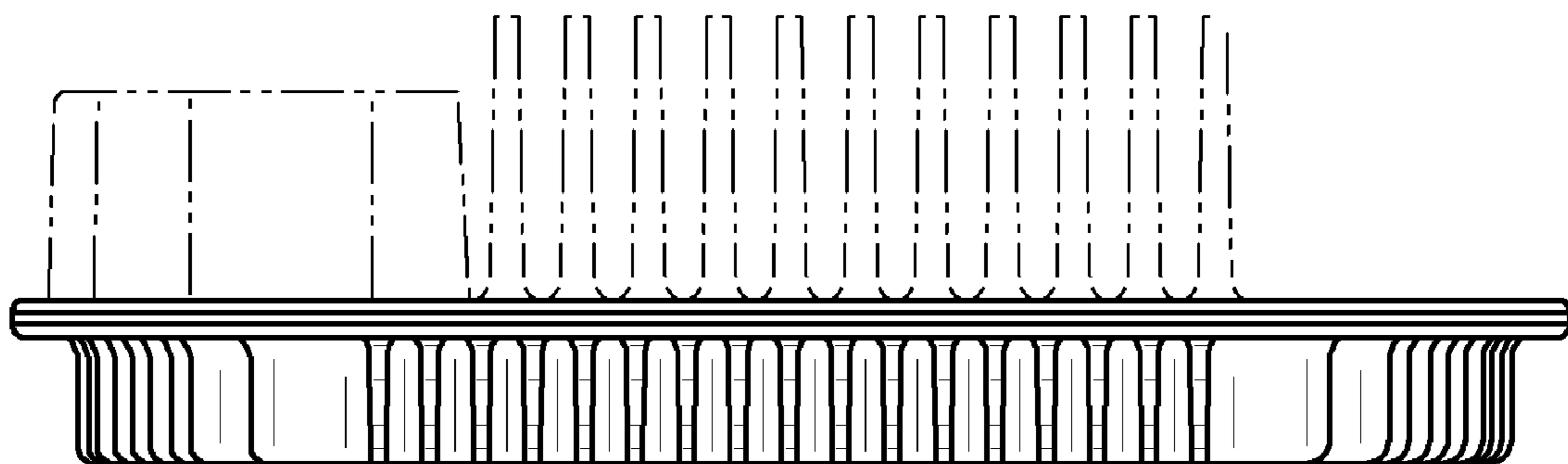


FIG. 3

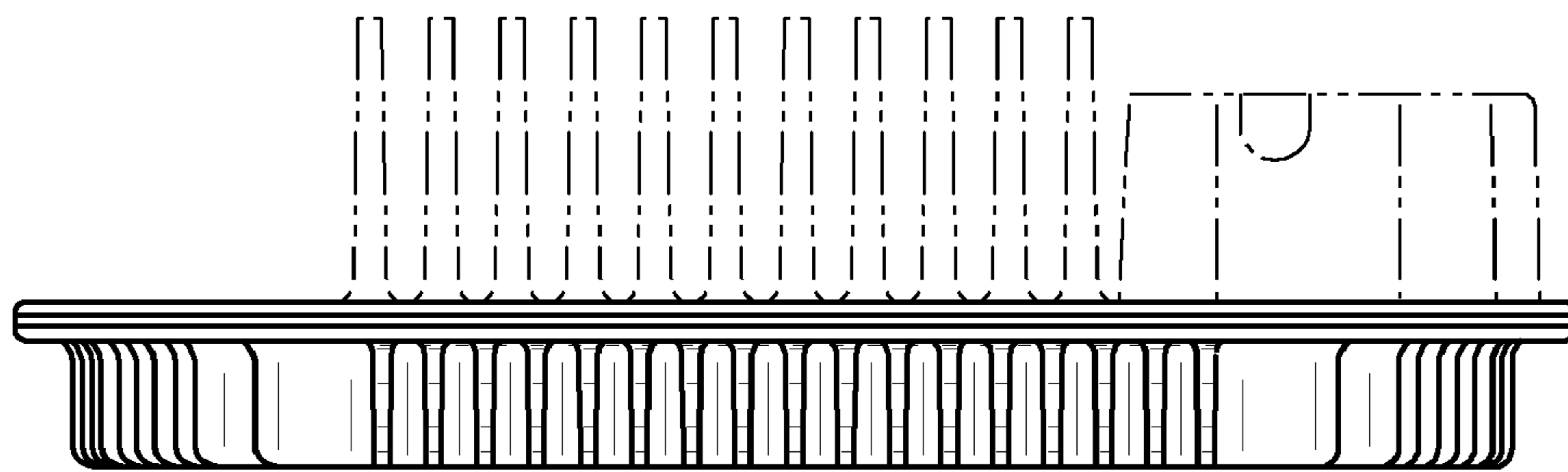


FIG. 4

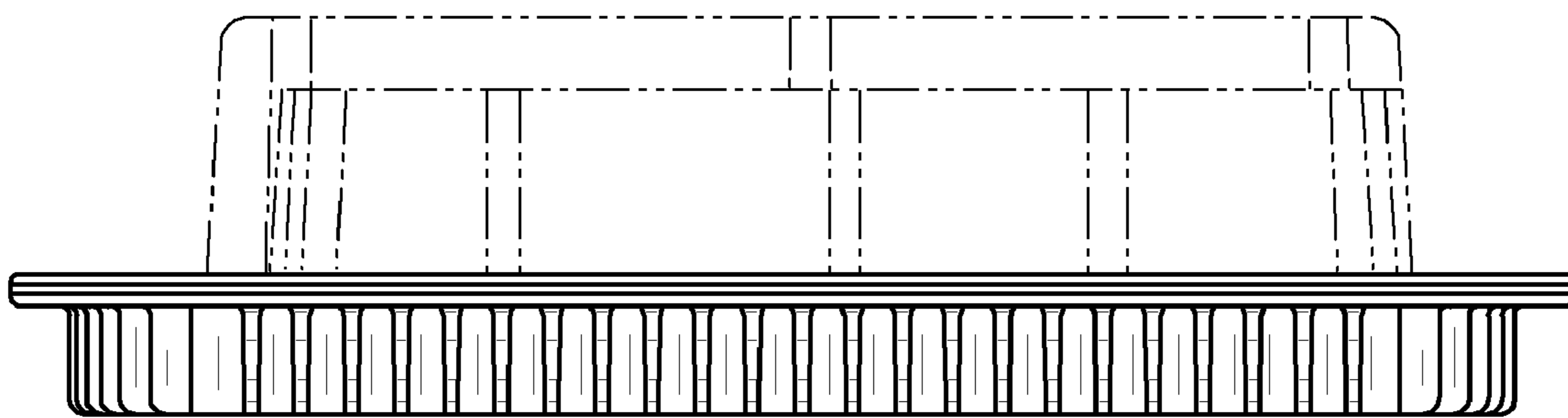


FIG. 5

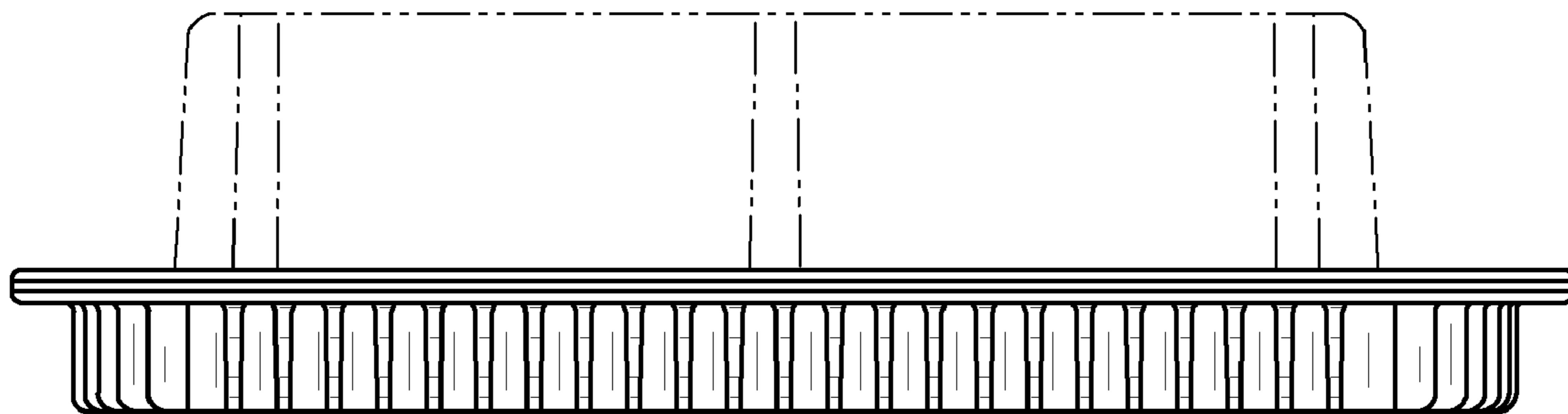


FIG. 6

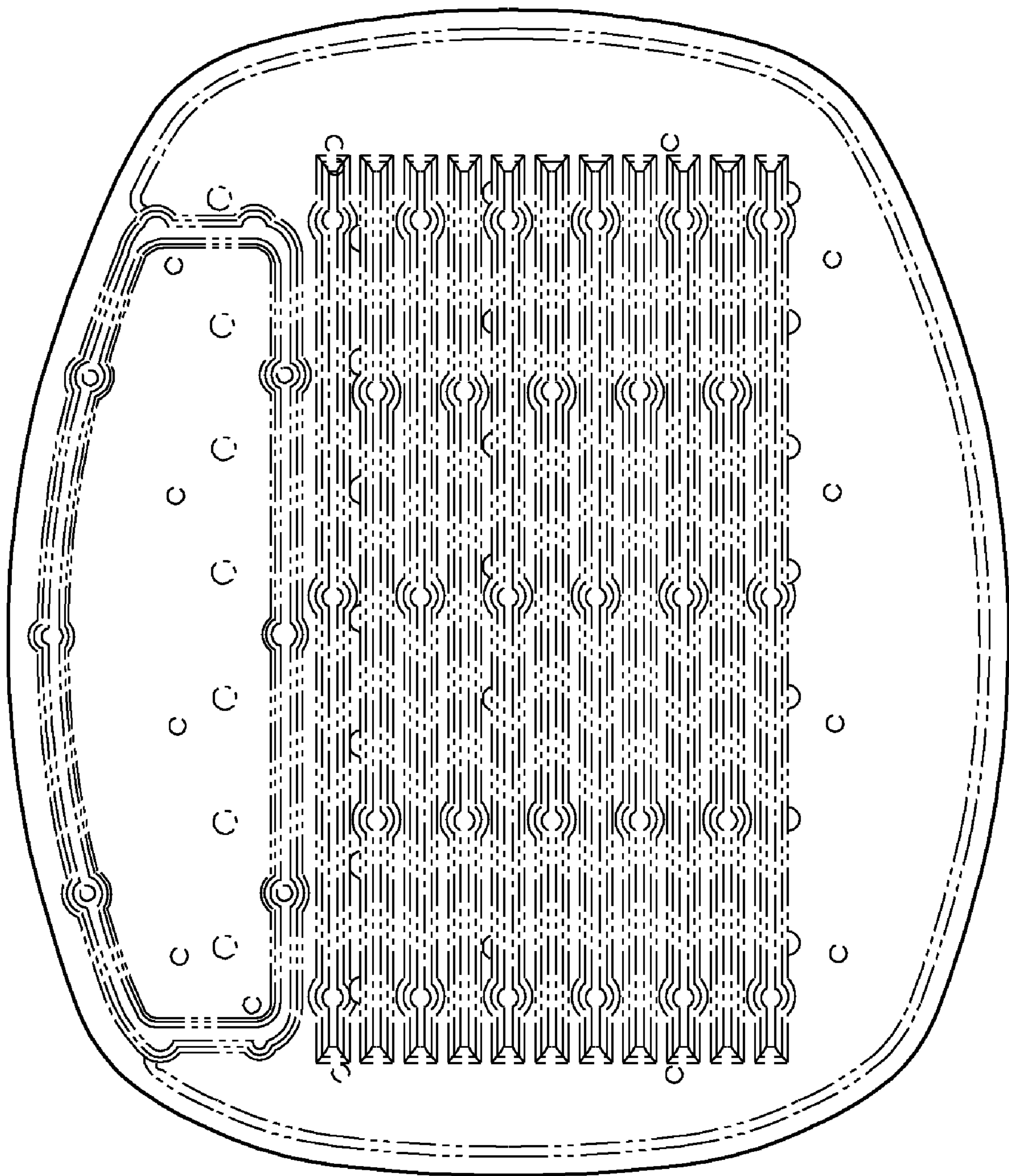


FIG. 7

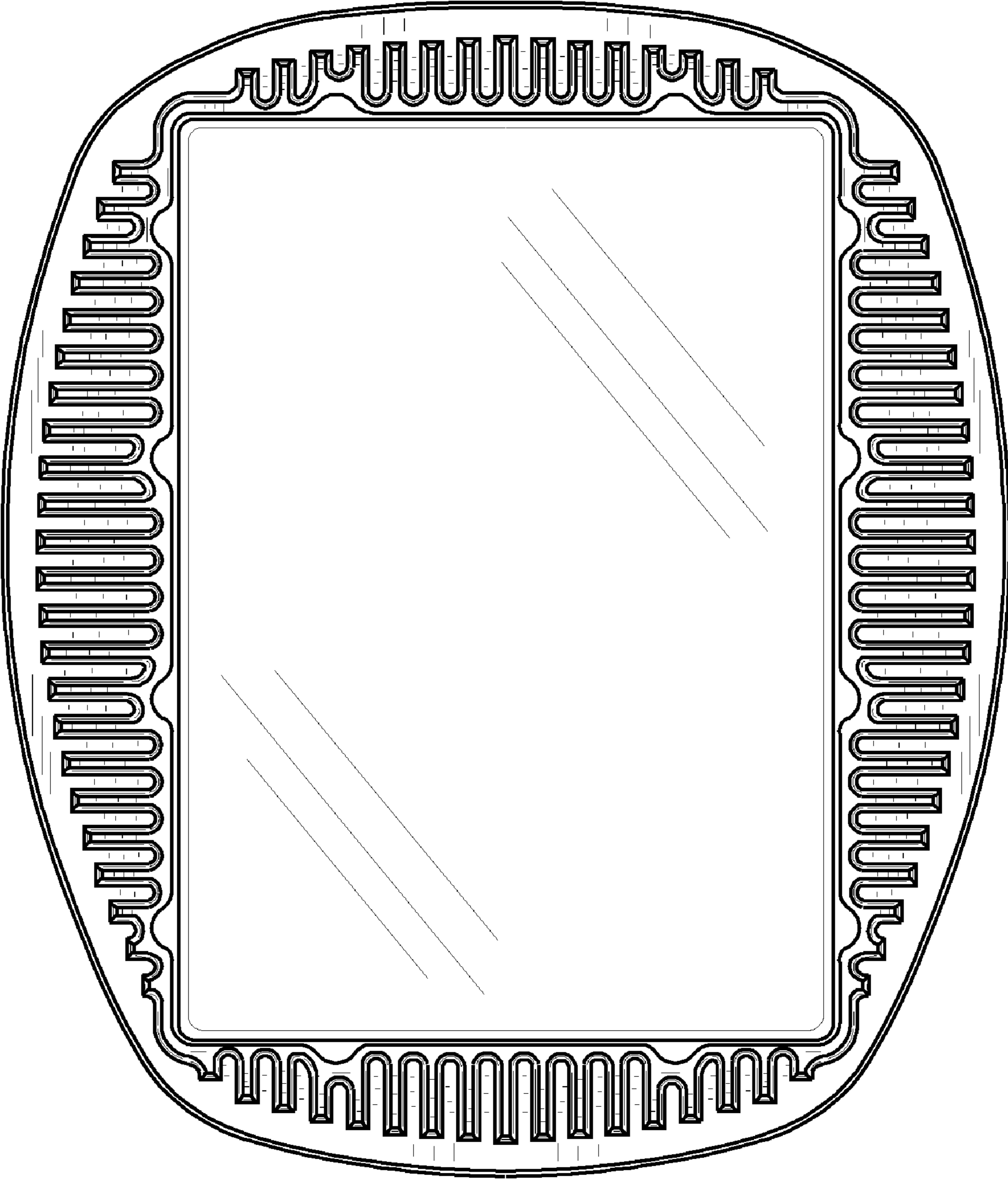


FIG. 8