



US00D611647S

(12) **United States Design Patent**  
**Coplin et al.**

(10) **Patent No.:** **US D611,647 S**  
(45) **Date of Patent:** **\*\* Mar. 9, 2010**

- (54) **LED LIGHT ENGINE CHASSIS**
- (75) Inventors: **Barry Cason Coplin**, Fairway, KS (US);  
**John Robert Householder**, Reading,  
MA (US); **Clifford Earl Wilson**, Holt,  
MO (US)
- (73) Assignee: **Ecofit Lighting, LLC**, Lenexa, KS (US)
- (\*\*) Term: **14 Years**
- (21) Appl. No.: **29/344,832**
- (22) Filed: **Oct. 5, 2009**

- (51) **LOC (9) Cl.** ..... **26-99**
- (52) **U.S. Cl.** ..... **D26/120**
- (58) **Field of Classification Search** ..... D26/145,  
D26/154, 155, 142, 118, 138, 120, 92, 87,  
D26/71, 67, 60, 62, 63, 68, 70, 72, 80, 81,  
D26/85, 86, 88, 113, 140, 141, 143, 144,  
D26/153; D25/126, 127; 52/28, 295; 362/432,  
362/443, 800, 431, 153, 153.1, 395, 401,  
362/405, 410

See application file for complete search history.

(56) **References Cited**

**U.S. PATENT DOCUMENTS**

|               |         |                      |         |
|---------------|---------|----------------------|---------|
| D194,479 S *  | 1/1963  | Pettengill .....     | D26/71  |
| 3,183,346 A * | 5/1965  | Rodmaker et al. .... | 362/218 |
| D278,461 S *  | 4/1985  | Pepall .....         | D24/210 |
| D391,659 S *  | 3/1998  | Gaskins et al. ....  | D26/71  |
| D439,695 S *  | 3/2001  | Compton et al. ....  | D26/87  |
| D531,342 S *  | 10/2006 | Kauffman et al. .... | D26/68  |
| D535,774 S *  | 1/2007  | Weston et al. ....   | D26/72  |
| D568,521 S *  | 5/2008  | Compton .....        | D26/71  |
| D570,025 S *  | 5/2008  | Walker .....         | D26/71  |
| D573,288 S *  | 7/2008  | Xu et al. ....       | D26/67  |

|              |         |                   |        |
|--------------|---------|-------------------|--------|
| D573,290 S * | 7/2008  | Shuai et al. .... | D26/67 |
| D577,455 S * | 9/2008  | Zheng et al. .... | D26/71 |
| D578,697 S * | 10/2008 | Zheng et al. .... | D26/71 |
| D580,577 S * | 11/2008 | Wang et al. ....  | D26/63 |
| D596,777 S * | 7/2009  | Gordin .....      | D26/63 |
| D599,936 S * | 9/2009  | Wang et al. ....  | D26/67 |
| D599,941 S * | 9/2009  | Wang et al. ....  | D26/71 |
| D599,942 S * | 9/2009  | Zheng .....       | D26/71 |

\* cited by examiner

*Primary Examiner*—Cathron C Brooks

*Assistant Examiner*—Kevin K Rudzinski

(74) *Attorney, Agent, or Firm*—Polsinelli Shughart, PC

(57) **CLAIM**

The ornamental design for a LED light engine chassis, as shown and described.

**DESCRIPTION**

FIG. 1 is a bottom perspective view of the LED light engine chassis showing our new design;

FIG. 2 is a top perspective view of the LED light engine chassis;

FIG. 3 is a front view of the LED light engine chassis ;

FIG. 4 is a rear view of the LED light engine chassis;

FIG. 5 is a left side view of the LED light engine chassis;

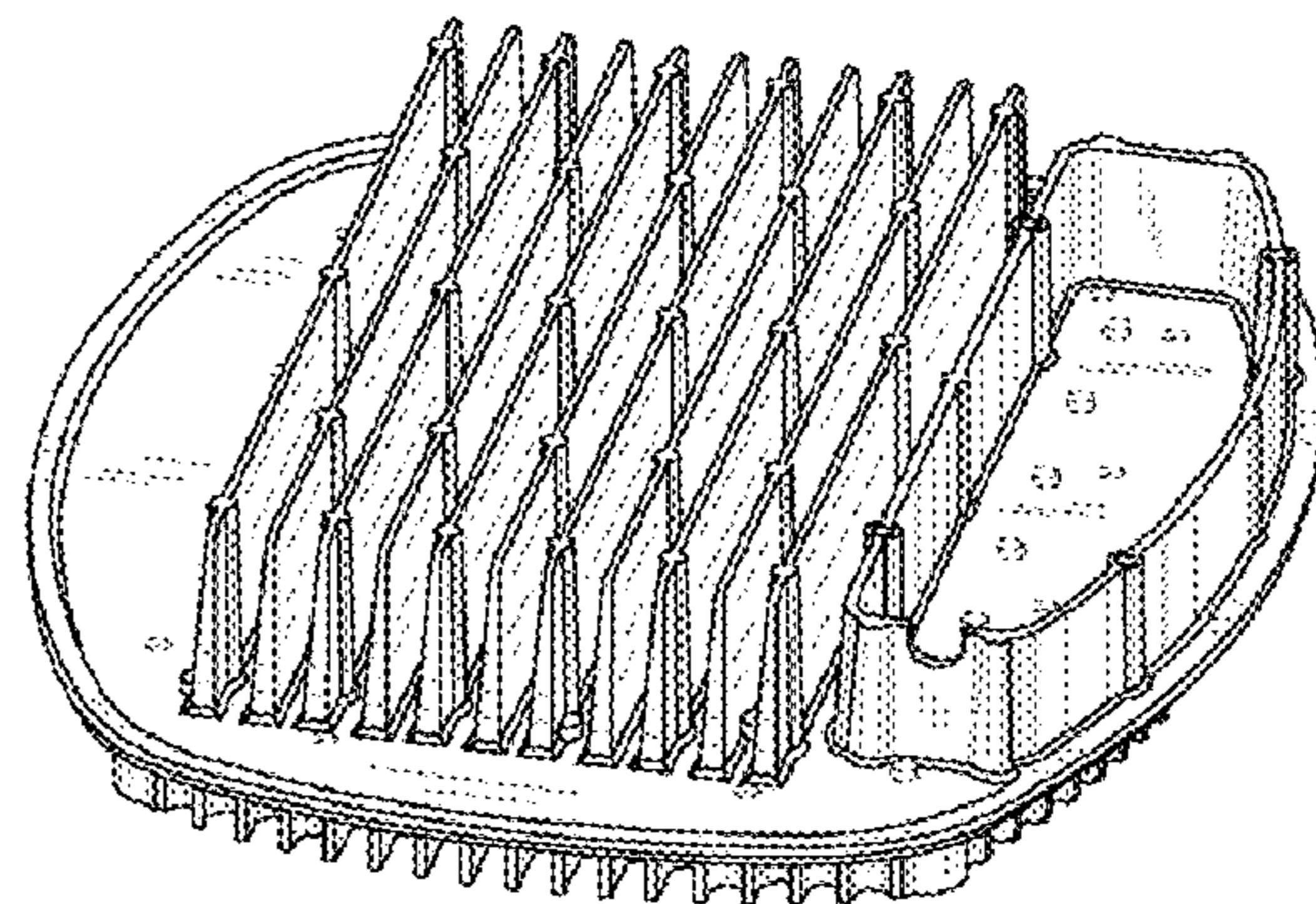
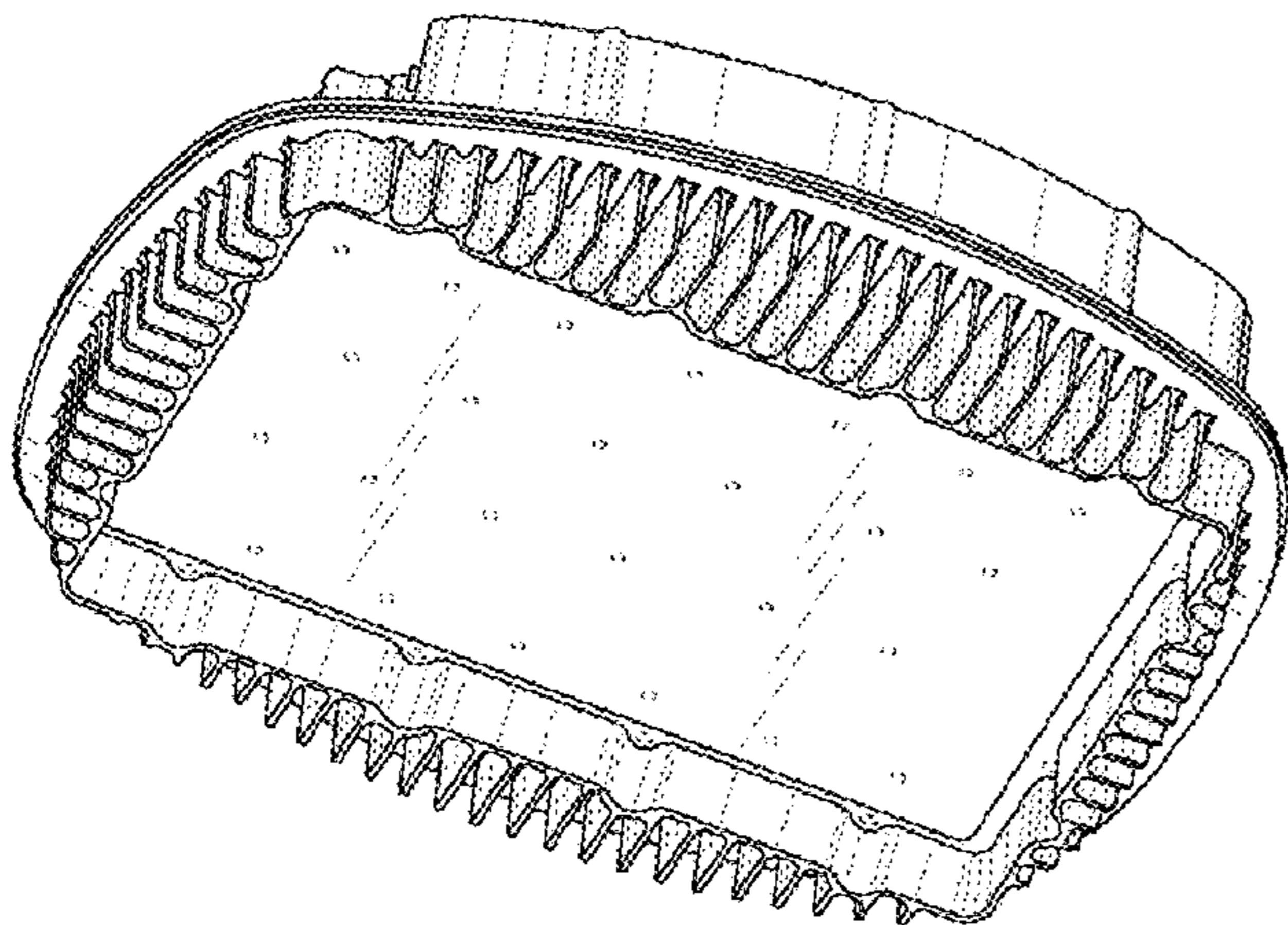
FIG. 6 is a right side view of the LED light engine chassis;

FIG. 7 is a top view of the LED light engine chassis; and,

FIG. 8 is a bottom view of the LED light engine chassis.

The broken lines shown in the drawings are included for the purpose of illustrating environmental structure and form no part of the claimed design.

**1 Claim, 4 Drawing Sheets**



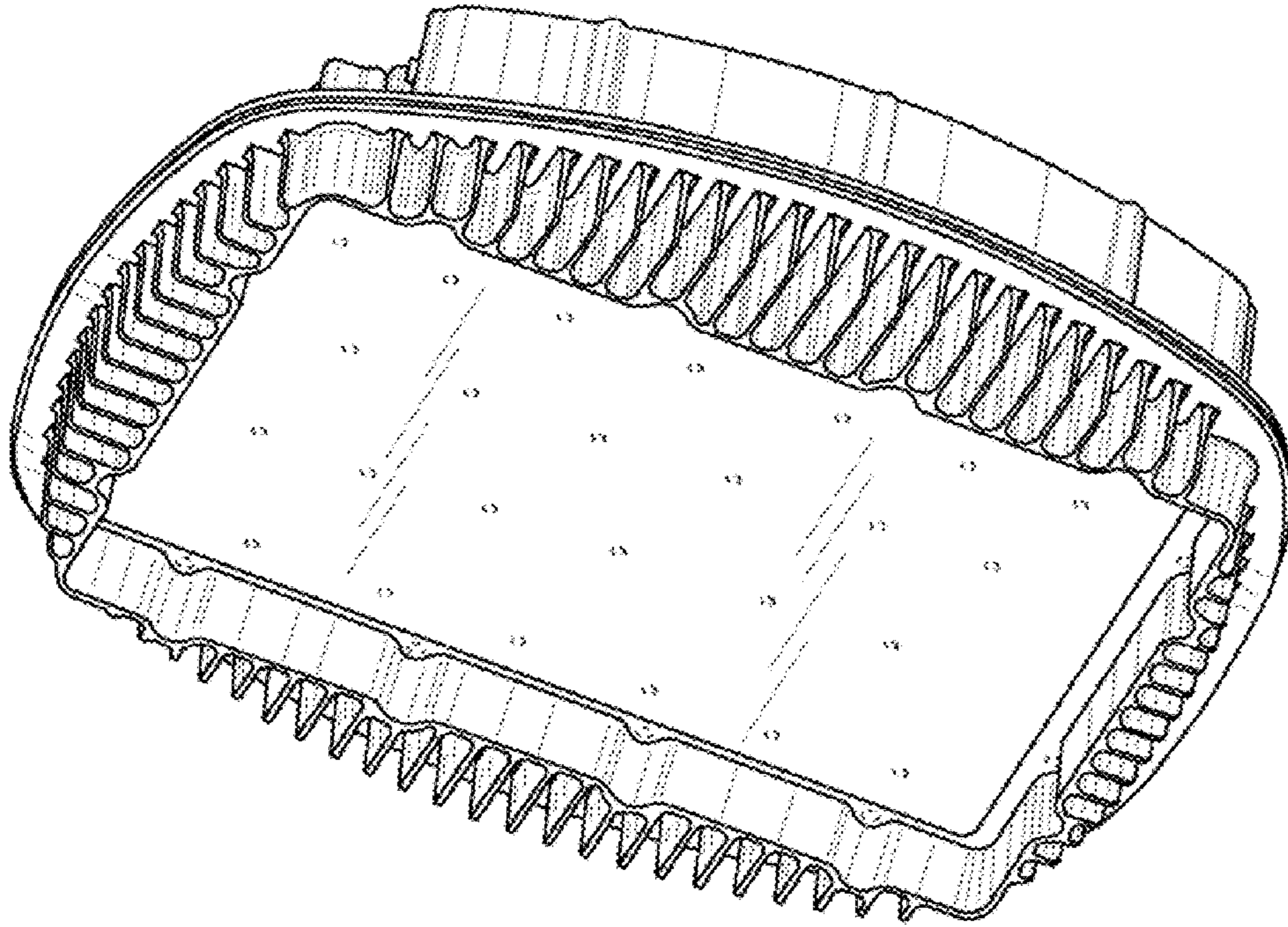


FIG. 1

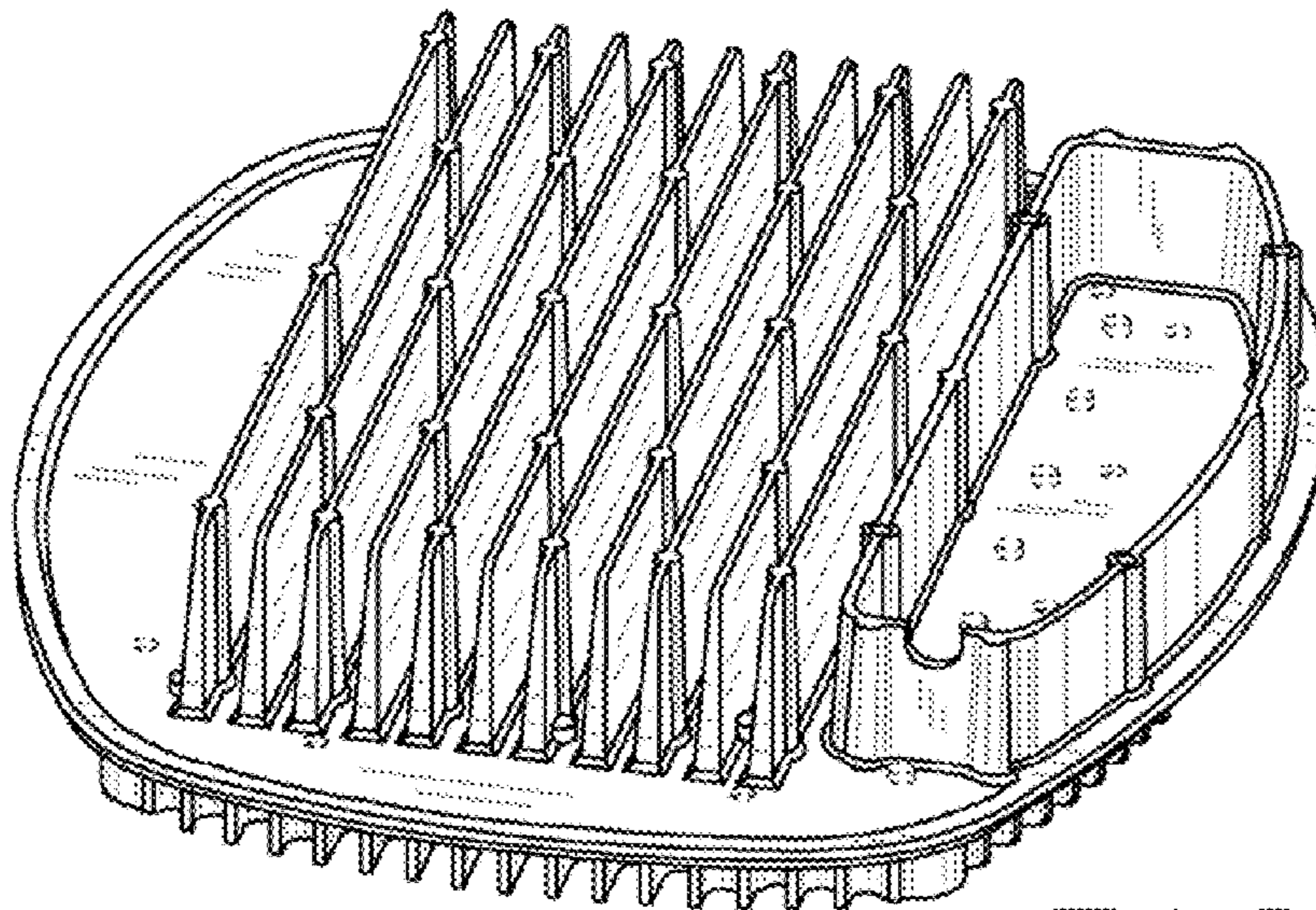


FIG. 2

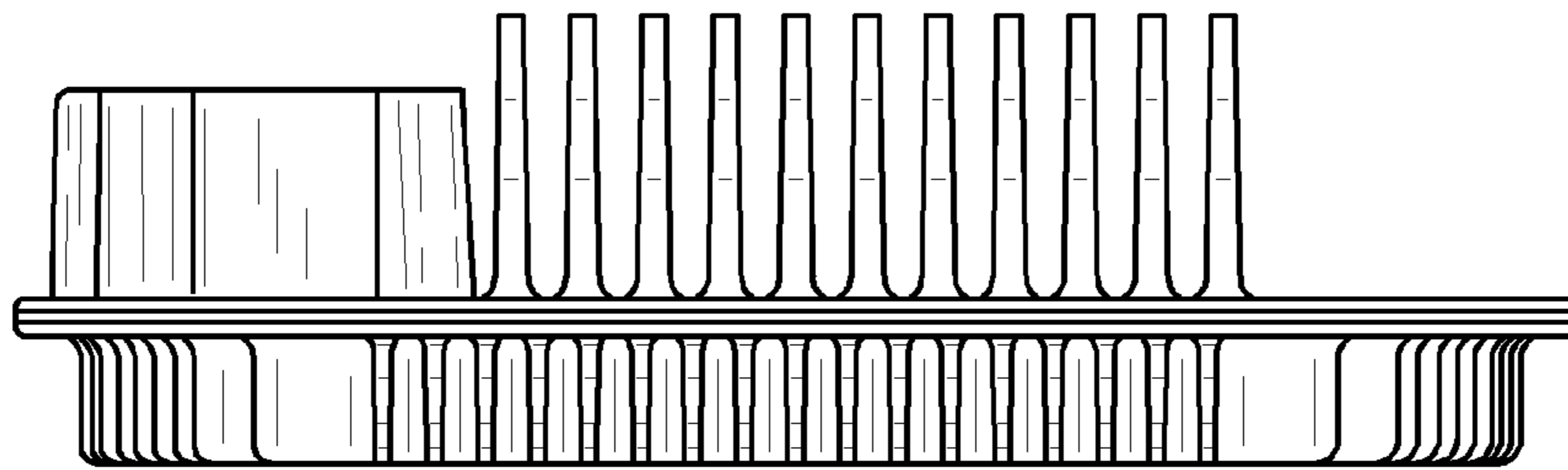


FIG. 3

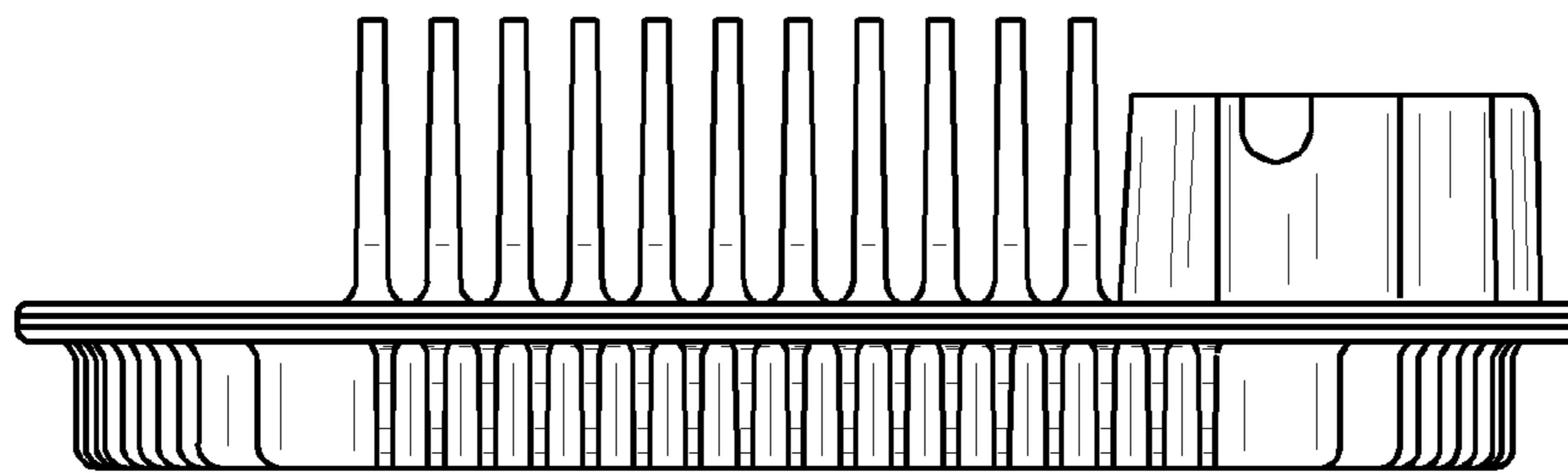


FIG. 4

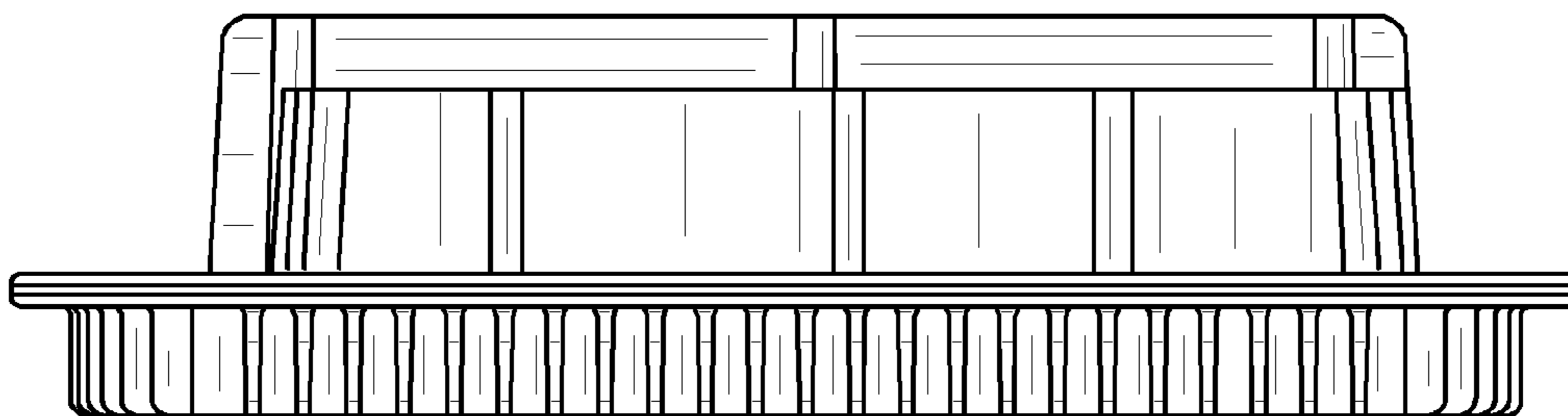


FIG. 5

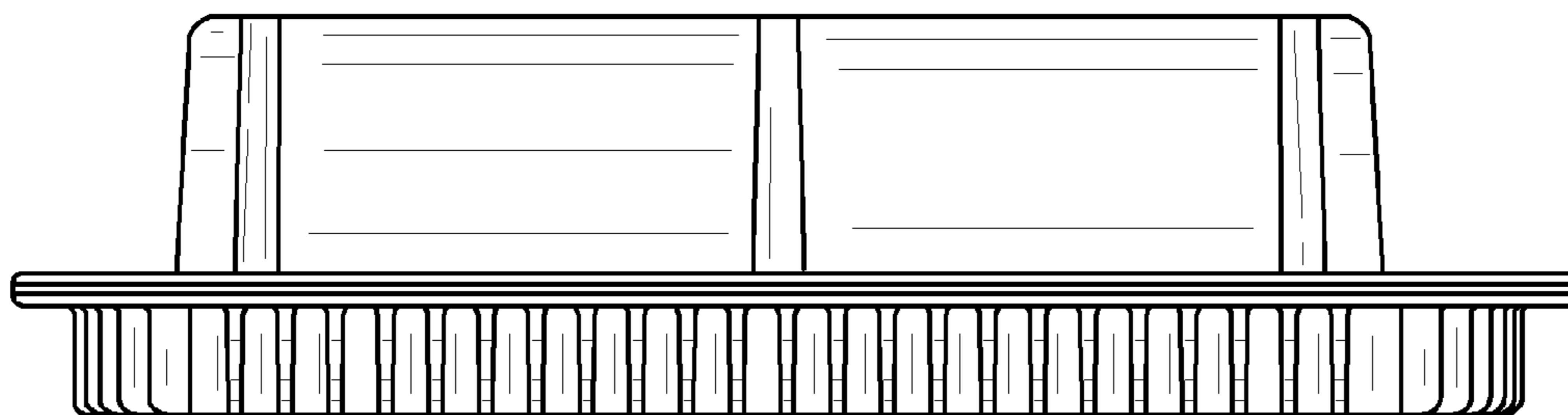


FIG. 6

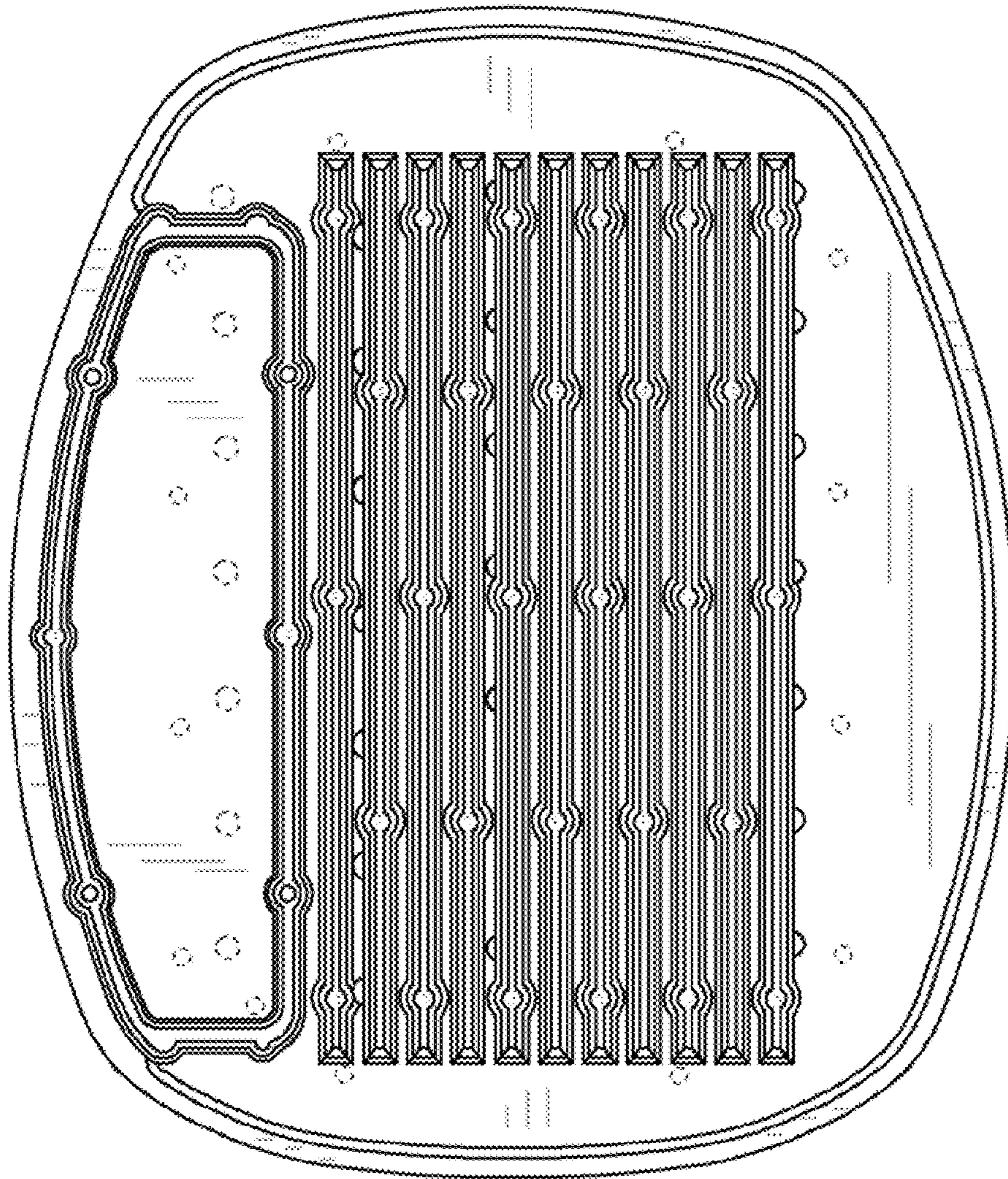


FIG. 7

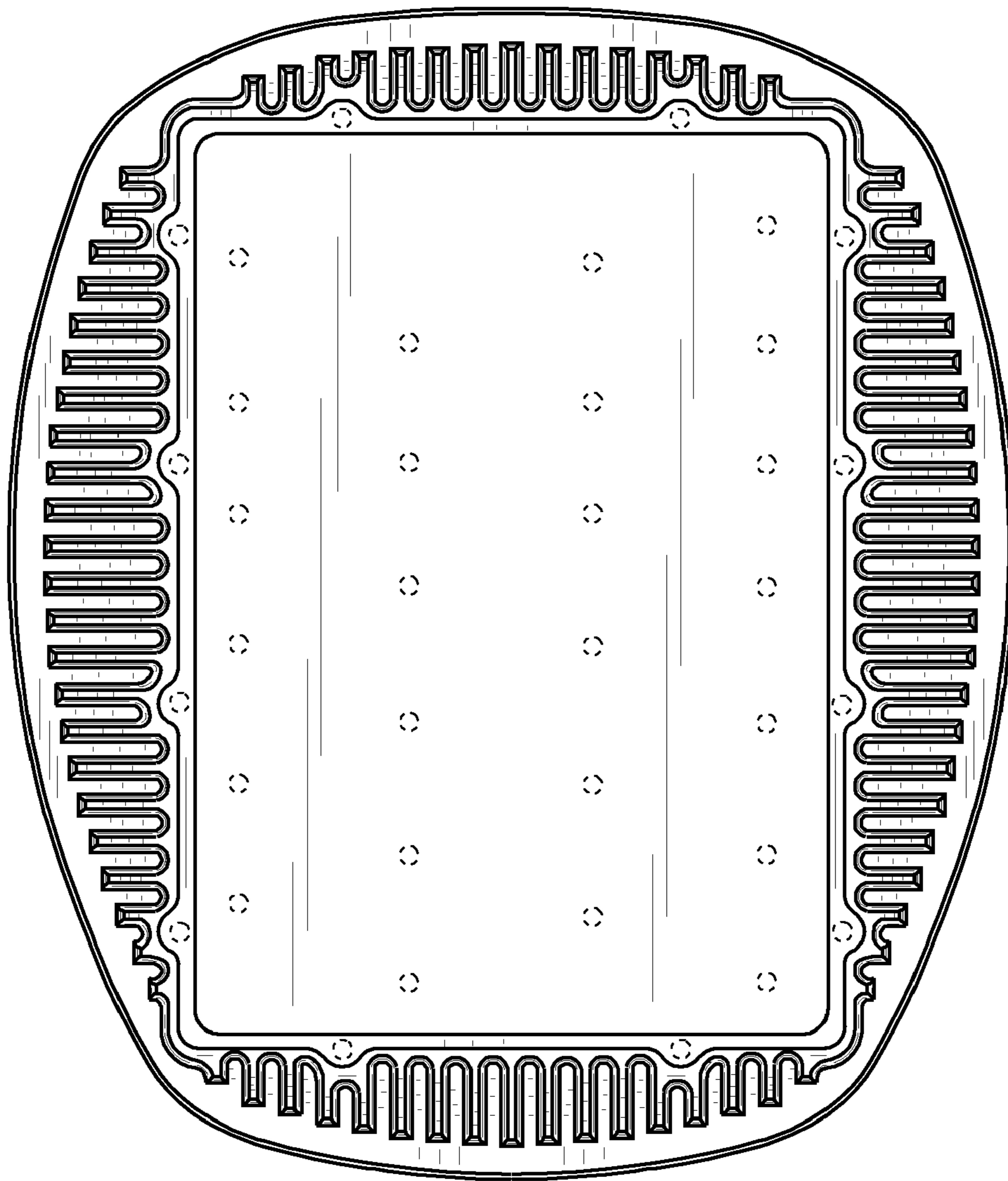


FIG. 8