



US00D611646S

(12) **United States Design Patent**  
**Swanson**

(10) **Patent No.:** **US D611,646 S**  
(45) **Date of Patent:** **\*\* Mar. 9, 2010**

(54) **FLOOR LAMP**

(75) Inventor: **Dennis K. Swanson**, Woodland Hills,  
CA (US)

(73) Assignee: **Lamps Plus, Inc.**, Chatsworth, CA (US)

(\*\*) Term: **14 Years**

(21) Appl. No.: **29/328,463**

(22) Filed: **Nov. 25, 2008**

(51) **LOC (9) Cl.** ..... **26-03**

(52) **U.S. Cl.** ..... **D26/104**

(58) **Field of Classification Search** ..... D26/1,  
D26/24, 67, 93-94, 101, 104-110, 113, 118;  
362/3, 153, 186, 217, 255, 257, 277, 317,  
362/351, 353, 362, 363, 382, 431, 433, 458,  
362/806

See application file for complete search history.

(56) **References Cited**

U.S. PATENT DOCUMENTS

- D316,459 S \* 4/1991 Kira ..... D26/104
- D368,548 S \* 4/1996 Lee ..... D26/93
- D377,229 S \* 1/1997 Shalvi ..... D26/104
- D484,634 S \* 12/2003 Olson ..... D26/104

- D485,004 S \* 1/2004 Olson ..... D26/104
- D485,005 S \* 1/2004 Olson ..... D26/104
- D507,374 S \* 7/2005 Chen ..... D26/104
- D589,205 S \* 3/2009 Sabernig ..... D26/104

\* cited by examiner

*Primary Examiner*—Brian N Vinson

(74) *Attorney, Agent, or Firm*—Connolly Bove Lodge & Hutz  
LLP; Billy A. Robbins

(57) **CLAIM**

The ornamental design of the floor lamp, as shown and described.

**DESCRIPTION**

FIG. 1 is a perspective view of a floor lamp showing my new design;

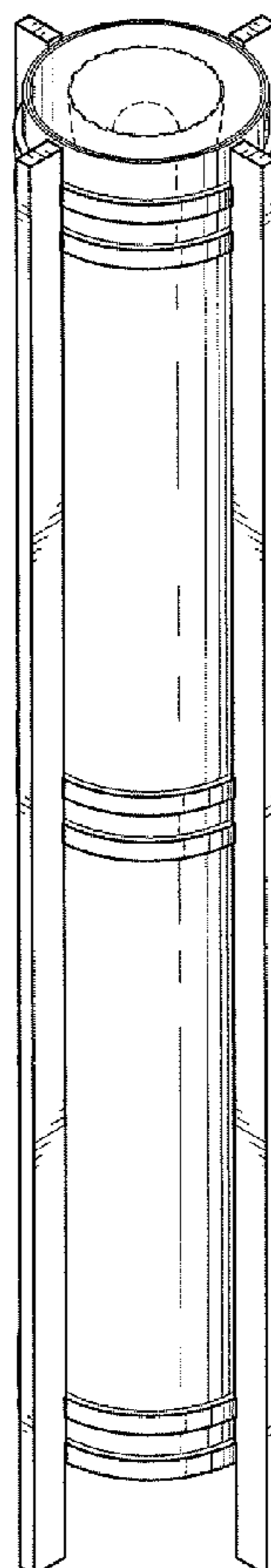
FIG. 2 is a front elevational view thereof, the rear elevational view being a mirror image of that shown;

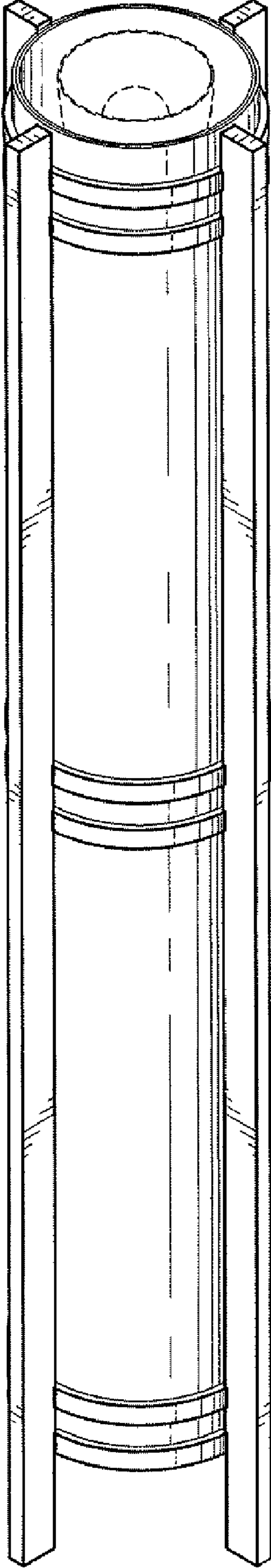
FIG. 3 is a top plan view thereof; and,

FIG. 4 is a bottom plan view thereof.

The broken-line disclosure in the views is understood to represent a portion of the article in which the claimed design is embodied, but which forms no part of the claimed design.

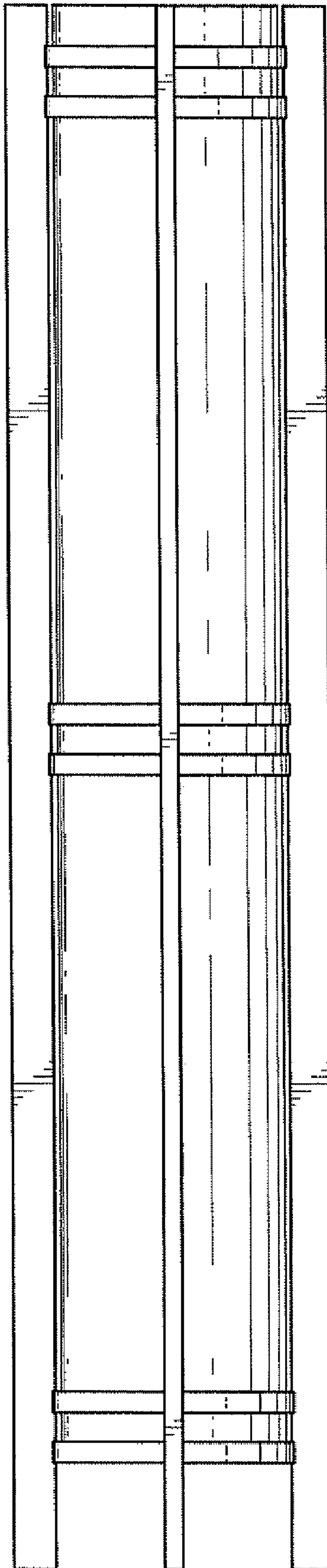
**1 Claim, 3 Drawing Sheets**





*FIG. 1*

FIG. 2



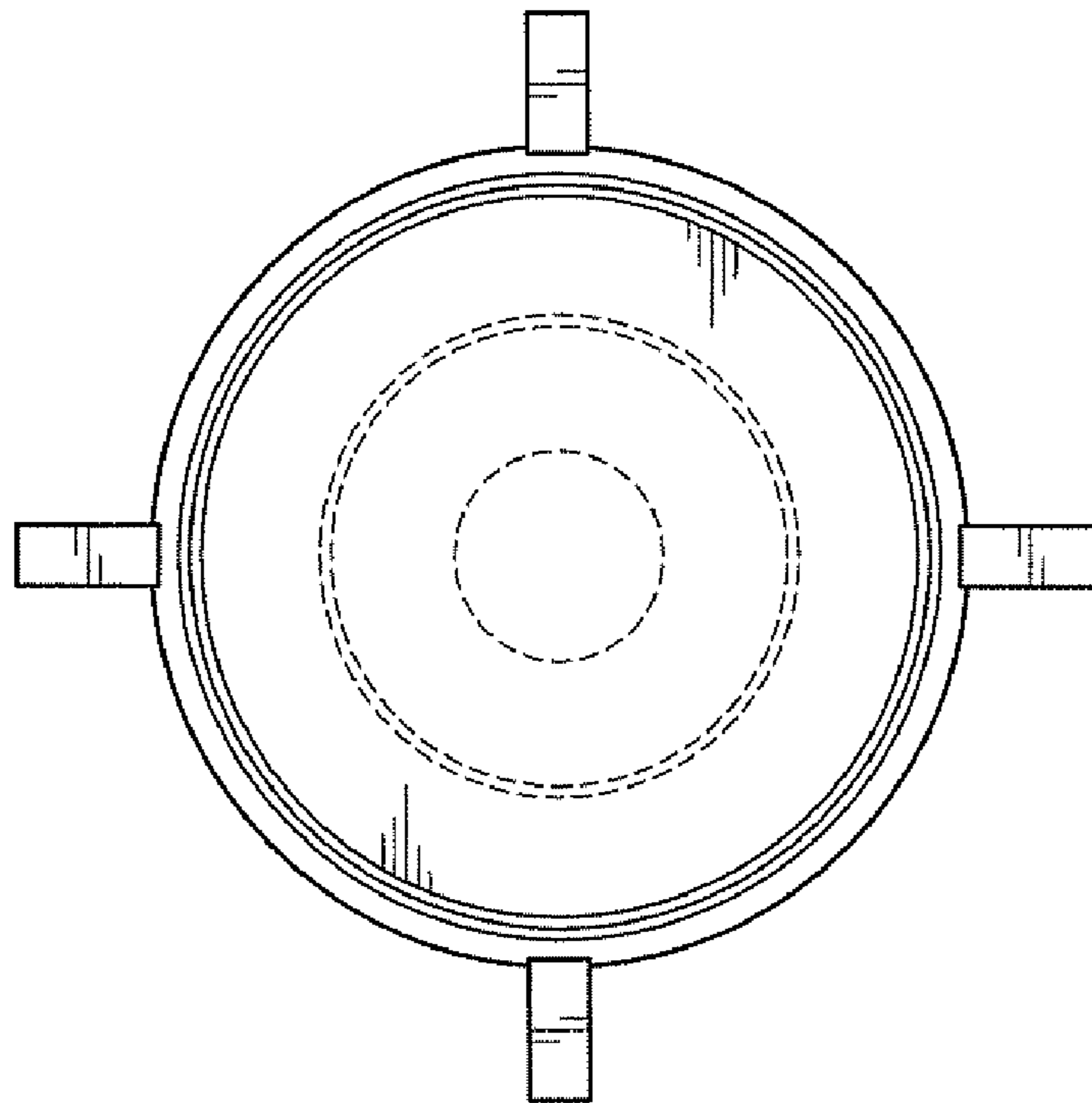


FIG. 3

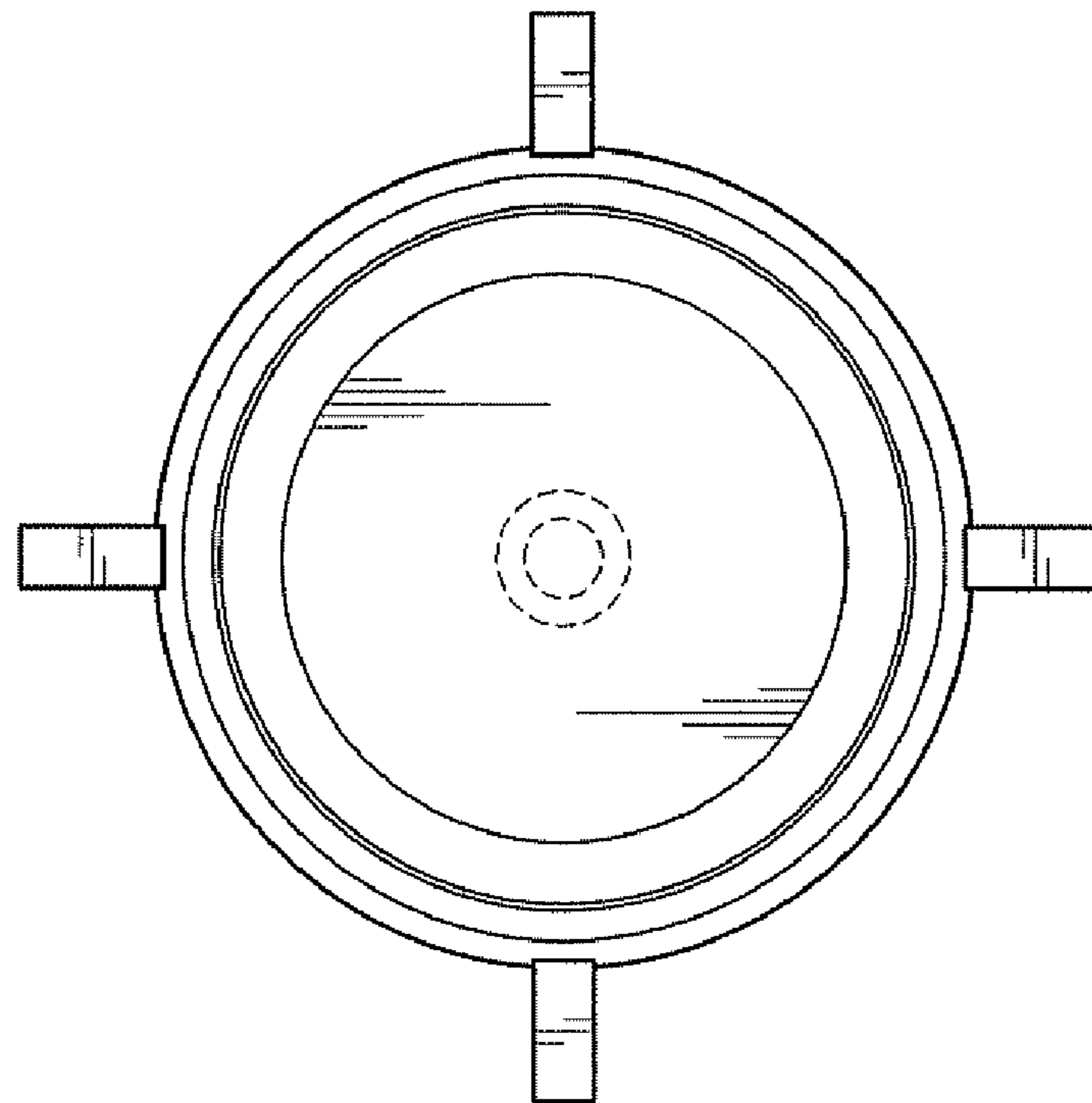


FIG. 4