



US00D611645S

(12) **United States Design Patent**
Copeland

(10) **Patent No.:** **US D611,645 S**

(45) **Date of Patent:** **** *Mar. 9, 2010**

(54) **LIGHT**

(75) **Inventor:** **Steve A. Copeland**, Barrie (CA)

(73) **Assignee:** **American Tack & Hardware Co., Inc.**,
Saddle River, NJ (US)

(*) **Notice:** This patent is subject to a terminal disclaimer.

(**) **Term:** **14 Years**

(21) **Appl. No.:** **29/323,744**

(22) **Filed:** **Aug. 29, 2008**

(51) **LOC (9) Cl.** **26-03**

(52) **U.S. Cl.** **D26/83; D26/76**

(58) **Field of Classification Search** D26/72,
D26/76, 83, 89, 120, 121; 362/147, 404,
362/453–456, 451, 488, 490, 319, 325, 354,
362/520–522

See application file for complete search history.

(56) **References Cited**

U.S. PATENT DOCUMENTS

D134,830 S *	1/1943	Cadwallader	D26/120
D140,107 S *	1/1945	Lippincott	D26/76
D141,068 S *	5/1945	Maurette	D26/76
2,673,914 A *	3/1954	Sundt	D26/76
D189,256 S *	11/1960	Rothman	D26/76

D221,986 S *	9/1971	Taylor	D26/83
D443,096 S *	5/2001	Echito	D26/76
6,247,828 B1 *	6/2001	Herst	362/354
D498,018 S *	11/2004	Sieczkowski	D26/76
D572,400 S *	7/2008	Benensohn	D26/76

* cited by examiner

Primary Examiner—Clare E Heflin

(74) *Attorney, Agent, or Firm*—Hedman & Costigan, PC;
Kathleen A. Costigan

(57) **CLAIM**

The ornamental design for a light, as shown and described.

DESCRIPTION

FIG. 1 is a front and left side perspective view of a light showing my new design;

FIG. 2 is a front elevational view thereof;

FIG. 3 is a back elevational view thereof;

FIG. 4 is a right side elevational view thereof;

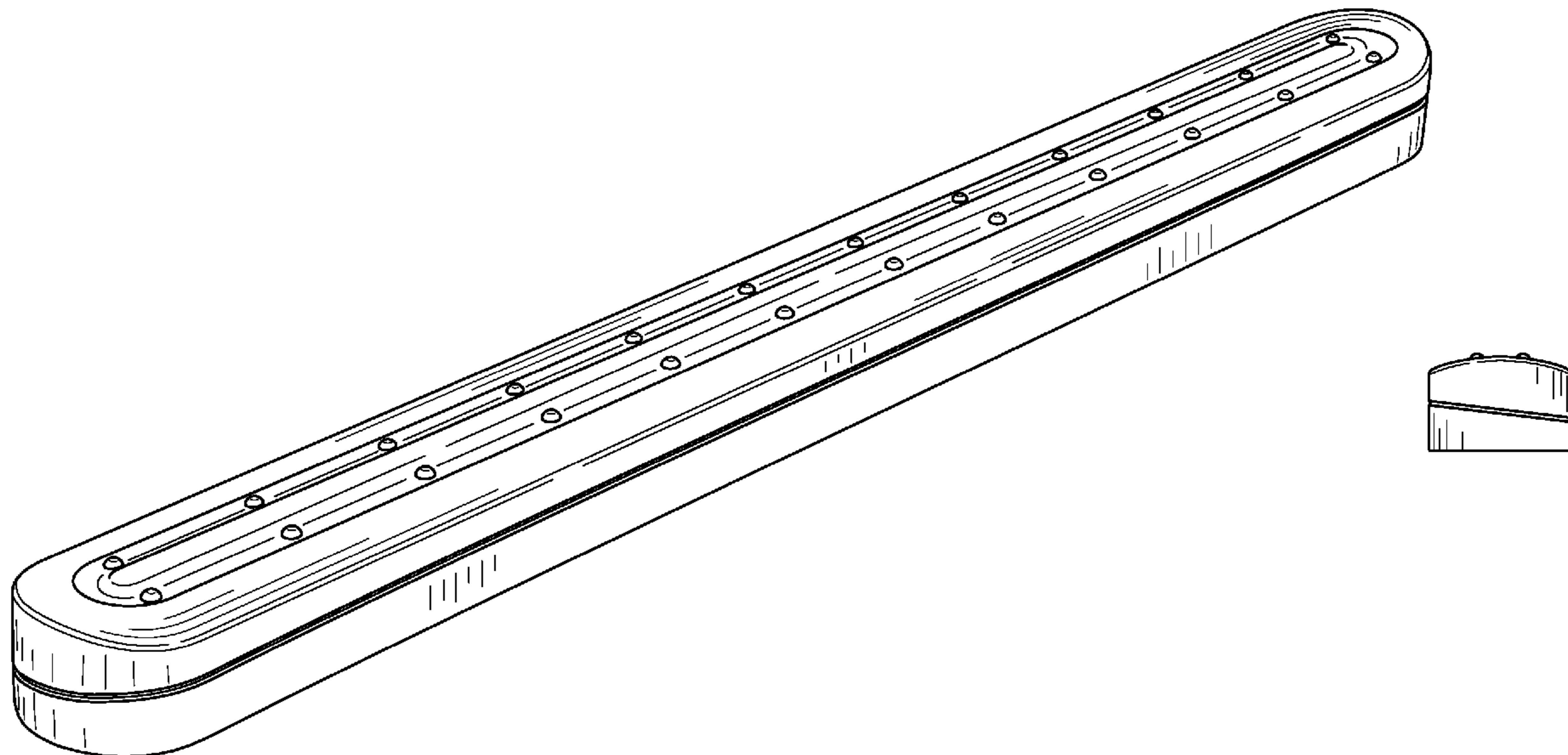
FIG. 5 is a left side elevational view thereof;

FIG. 6 is a top plan view thereof; and,

FIG. 7 is a bottom plan view thereof.

The broken lines in FIG. 7 depict environment only and form no part of the claimed design.

1 Claim, 3 Drawing Sheets



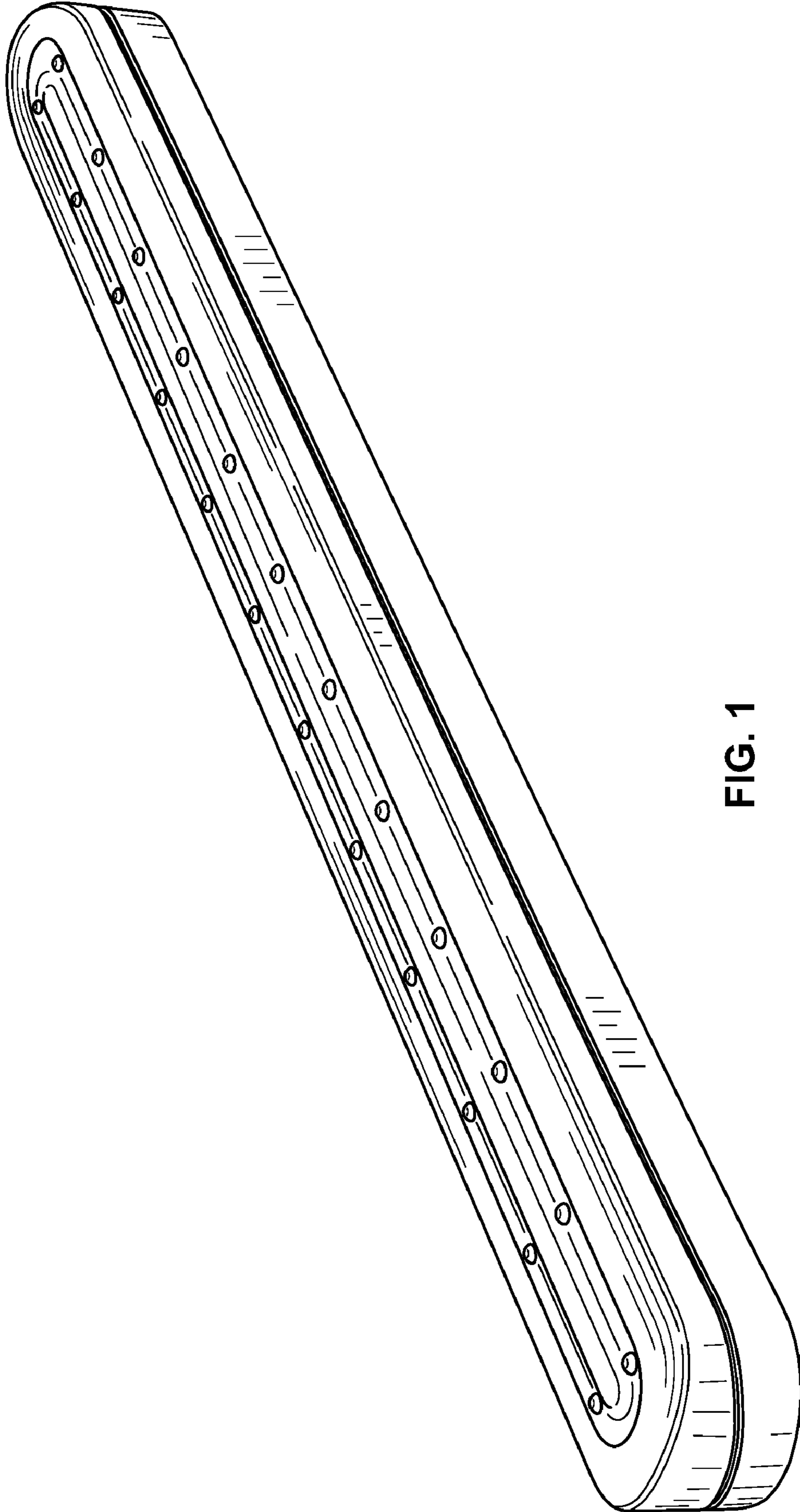


FIG. 1

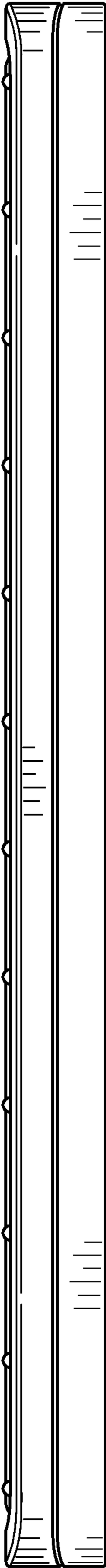


FIG. 2

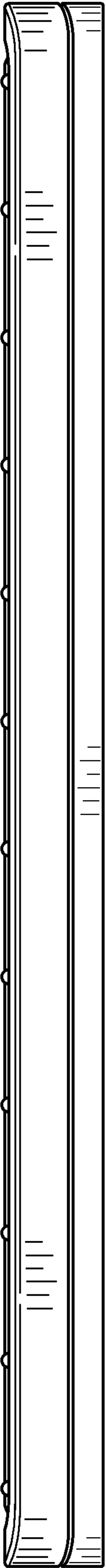


FIG. 3

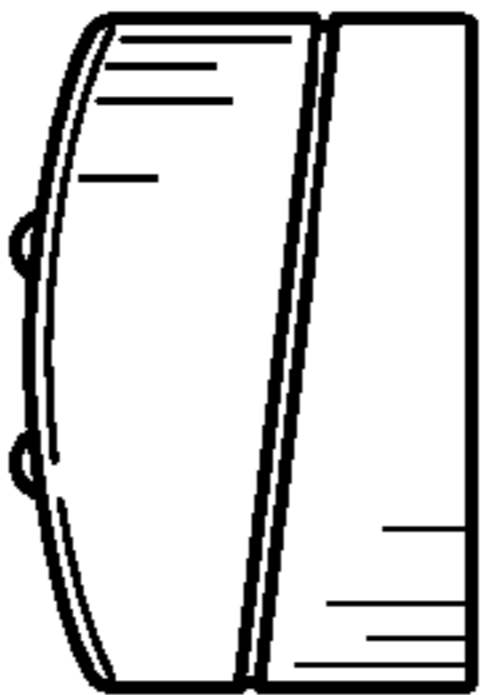


FIG. 4

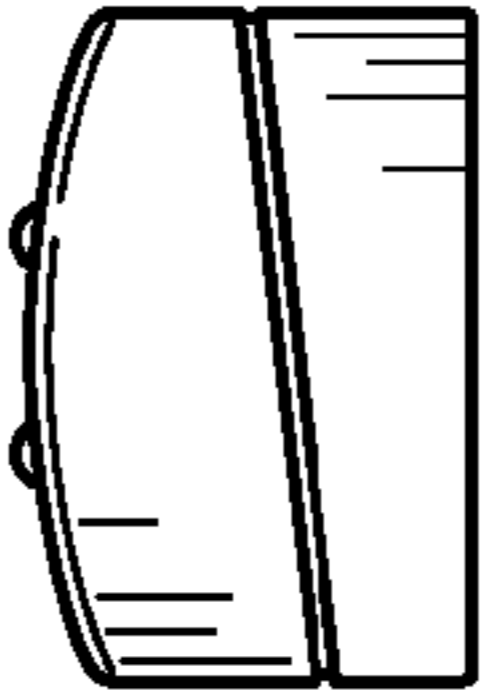


FIG. 5

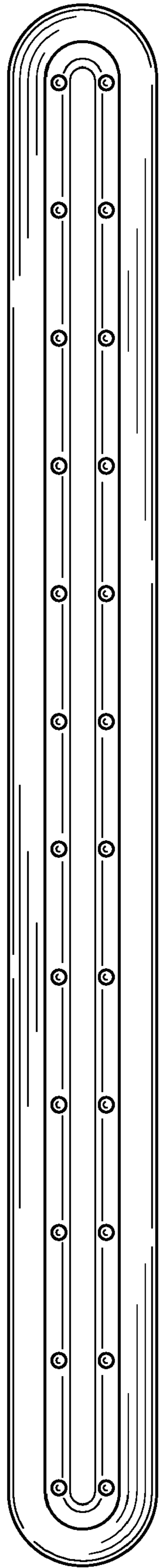


FIG. 6

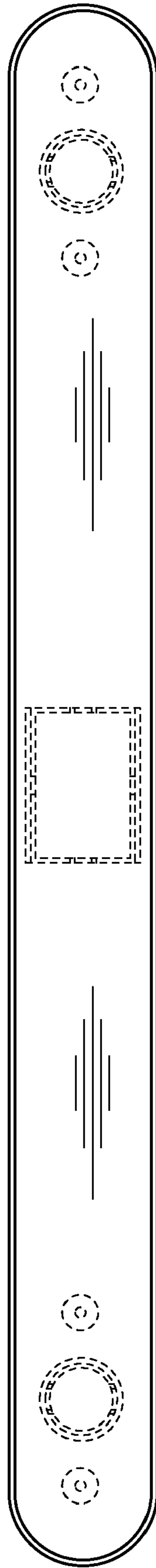


FIG. 7