



US00D611644S

(12) **United States Design Patent**
Tsai

(10) **Patent No.:** **US D611,644 S**
(45) **Date of Patent:** **** Mar. 9, 2010**

- (54) **INDOOR ILLUMINATING LIGHT**
- (75) Inventor: **Cheng-Kang Tsai**, Tainan (TW)
- (73) Assignee: **TYC Brother Industrial Co., Ltd.**,
Tainan (TW)
- (**) Term: **14 Years**
- (21) Appl. No.: **29/311,877**
- (22) Filed: **Jul. 22, 2009**
- (51) **LOC (9) Cl.** **26-03**
- (52) **U.S. Cl.** **D26/77**
- (58) **Field of Classification Search** D26/26,
D26/37, 67, 72, 74-79, 80, 85, 104, 108,
D26/118, 120-122, 134; 362/147-148, 150,
362/217-225, 132, 260, 262-264, 267, 294,
362/345, 362, 364, 373, 376, 440; D23/370-371,
D23/385
See application file for complete search history.

- D520,176 S * 5/2006 Herst et al. D26/121
- D533,958 S * 12/2006 Herst et al. D26/121
- D561,931 S * 2/2008 Hukle et al. D26/120
- D581,508 S * 11/2008 Miyake et al. D23/371
- D593,697 S * 6/2009 Liu et al. D26/74
- D594,590 S * 6/2009 Mayfield et al. D26/121
- 2009/0207603 A1 * 8/2009 Lydecker et al. 362/225

* cited by examiner

Primary Examiner—Philip S Hyder
Assistant Examiner—Susan E Krakower
(74) *Attorney, Agent, or Firm*—Rosenberg, Klein & Lee

(56) **References Cited**

U.S. PATENT DOCUMENTS

- D143,641 S * 1/1946 Biller et al. D26/121
- D204,797 S * 5/1966 McCormack D26/77
- D211,698 S * 7/1968 Simon D26/24
- D365,409 S * 12/1995 Lu D26/77
- D441,117 S * 4/2001 Grimm D26/76
- D480,530 S * 10/2003 Herst et al. D26/121

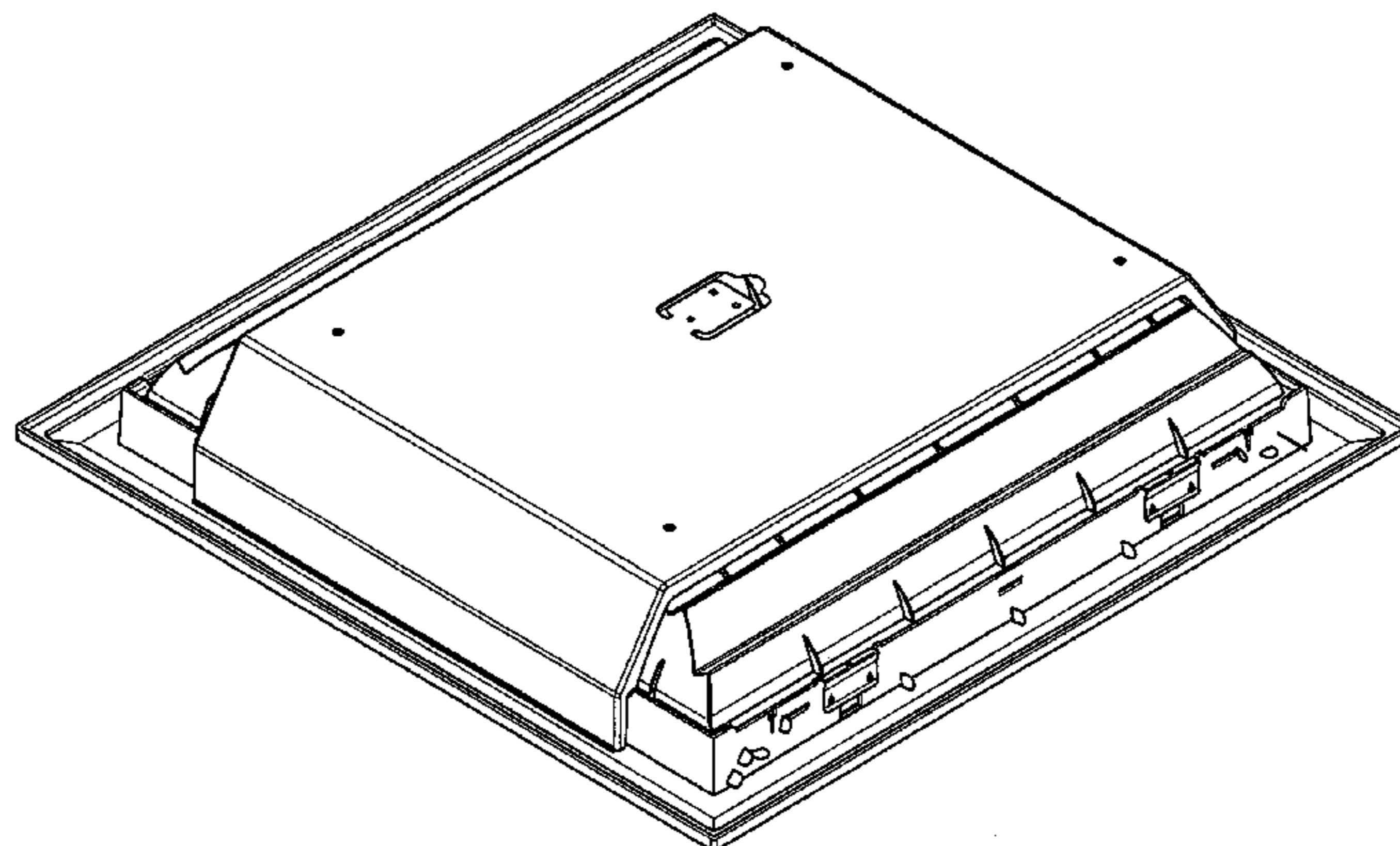
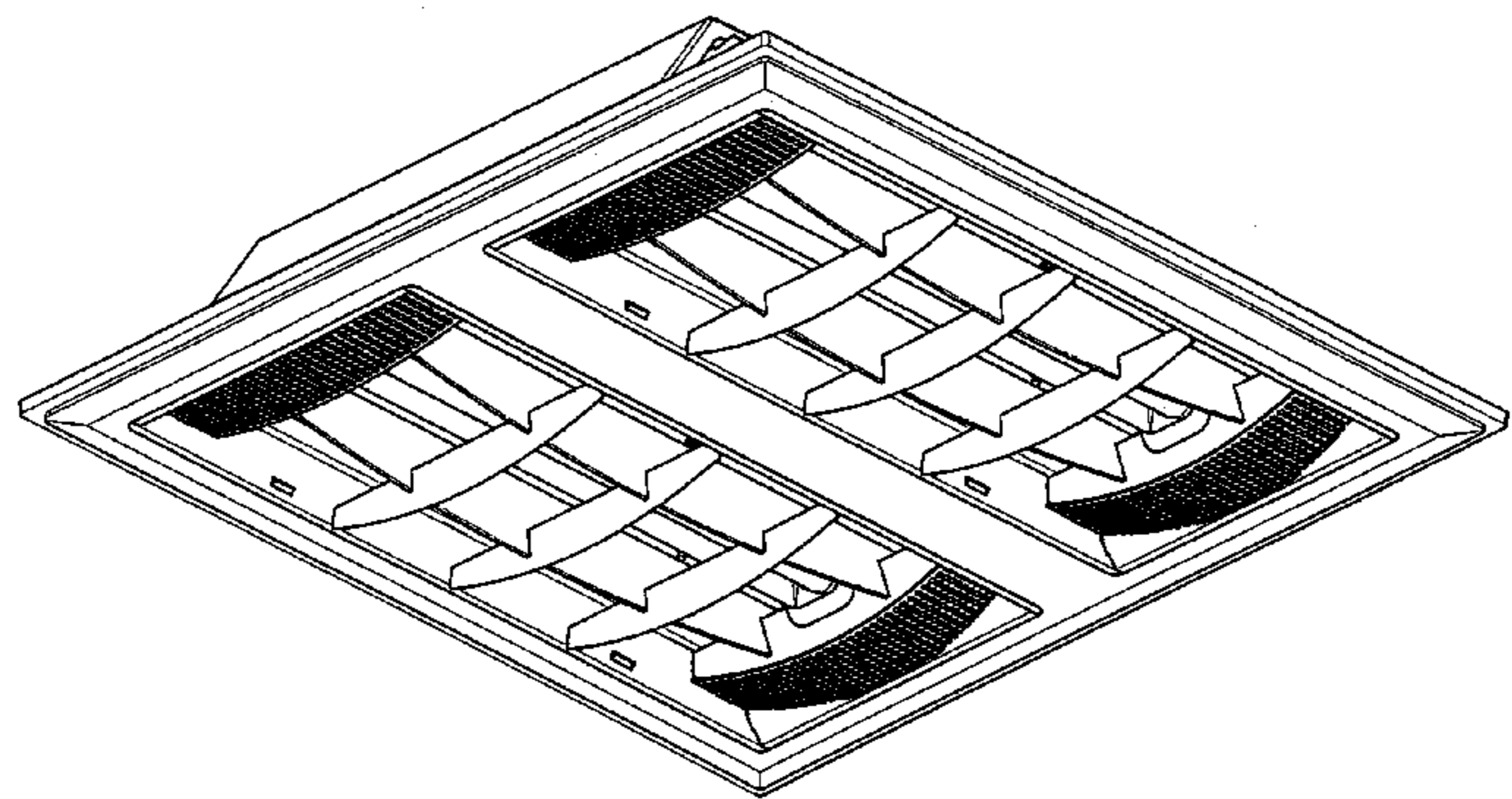
(57) **CLAIM**

What is claimed is the ornamental design for an indoor illuminating light, as shown and described.

DESCRIPTION

- FIG. 1 is a perspective view of an indoor illuminating light showing my new design;
- FIG. 2 is a front elevation view thereof;
- FIG. 3 is a rear elevation view thereof;
- FIG. 4 is a left elevation view thereof;
- FIG. 5 is a right elevation view thereof;
- FIG. 6 is a top plan view thereof; and,
- FIG. 7 is a bottom plan view thereof.

1 Claim, 7 Drawing Sheets



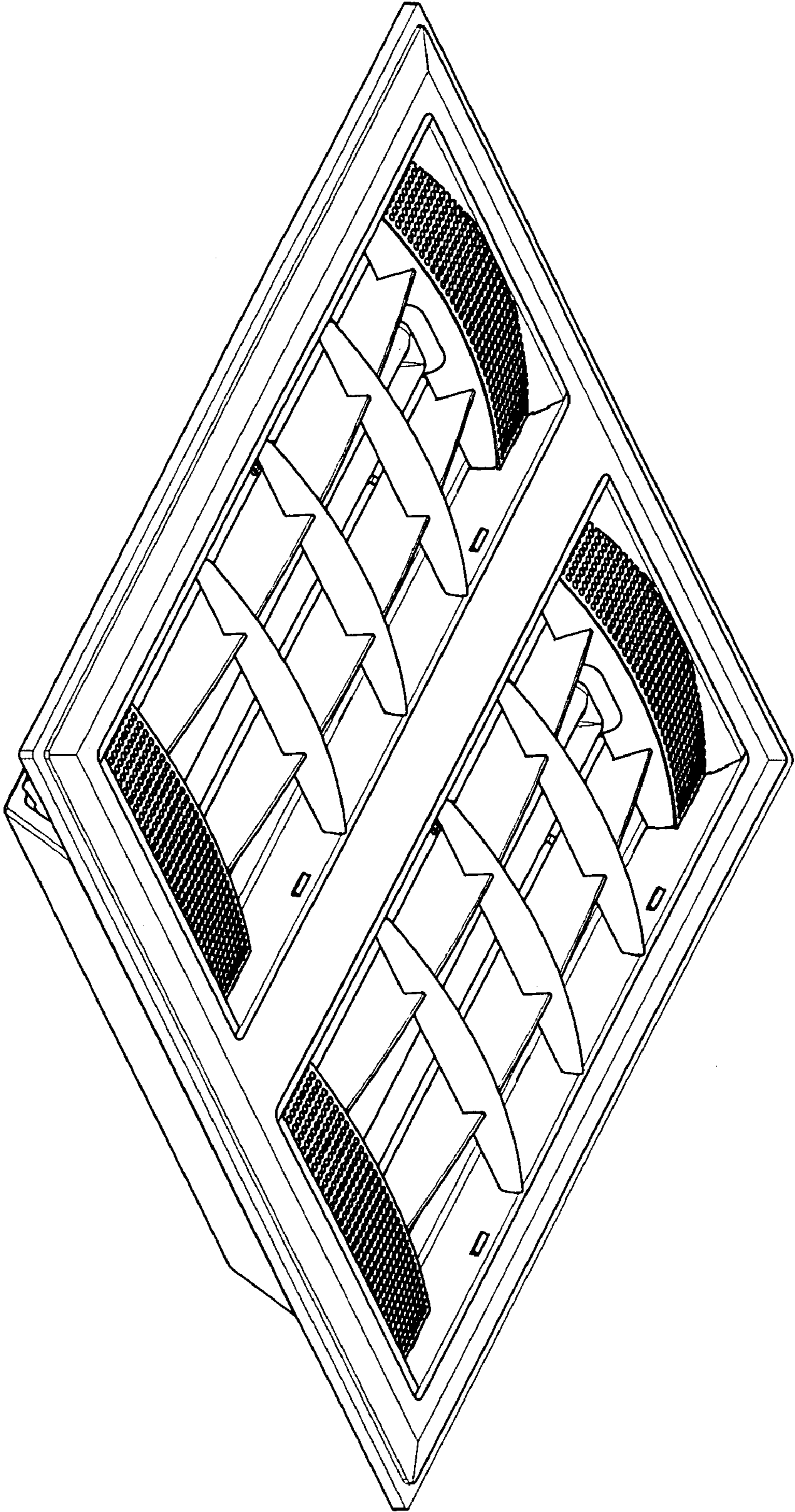


FIG. 1

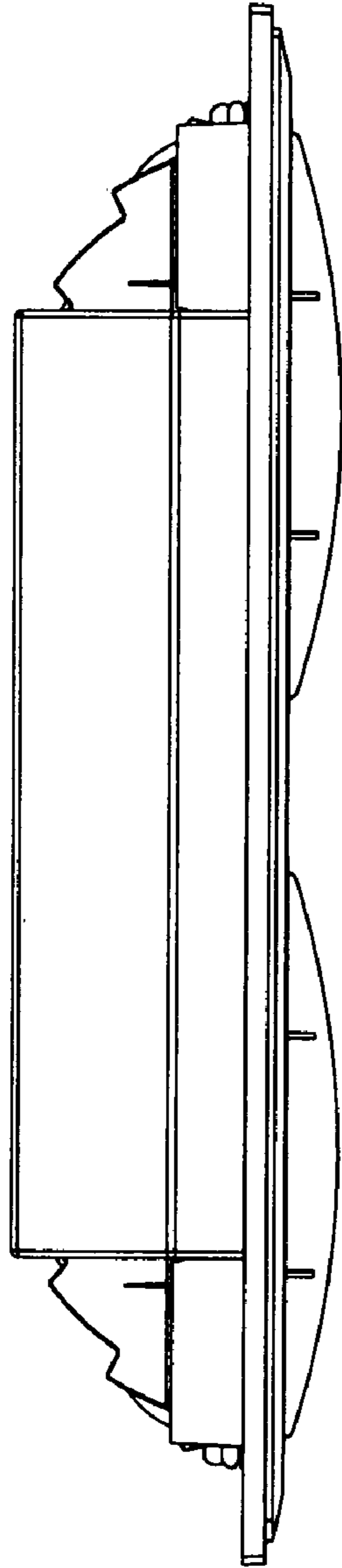


FIG. 2

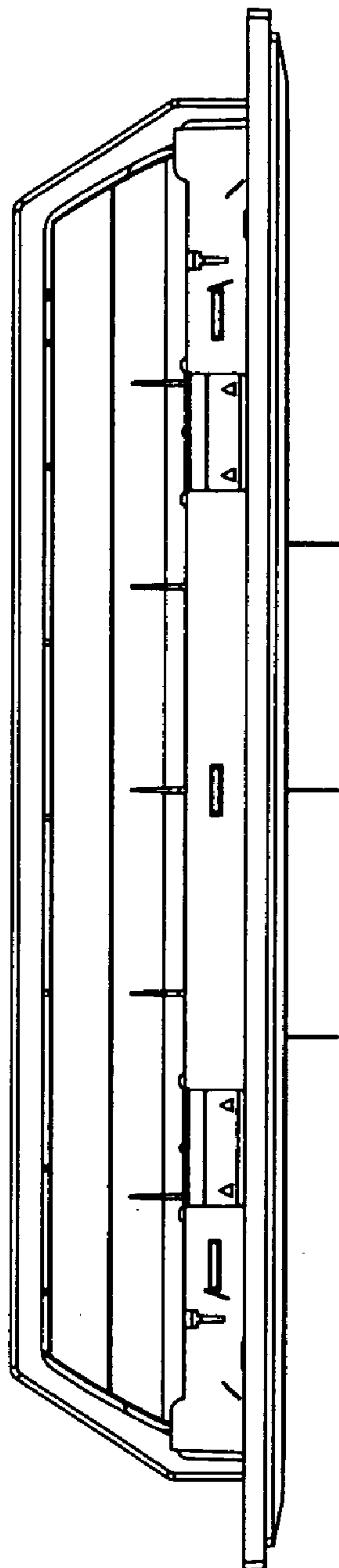


FIG. 3

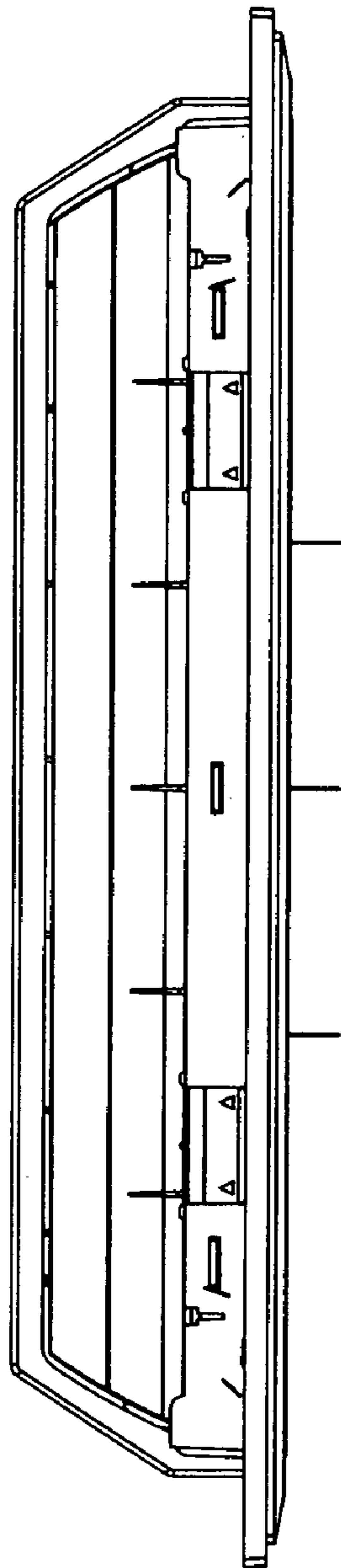


FIG. 4

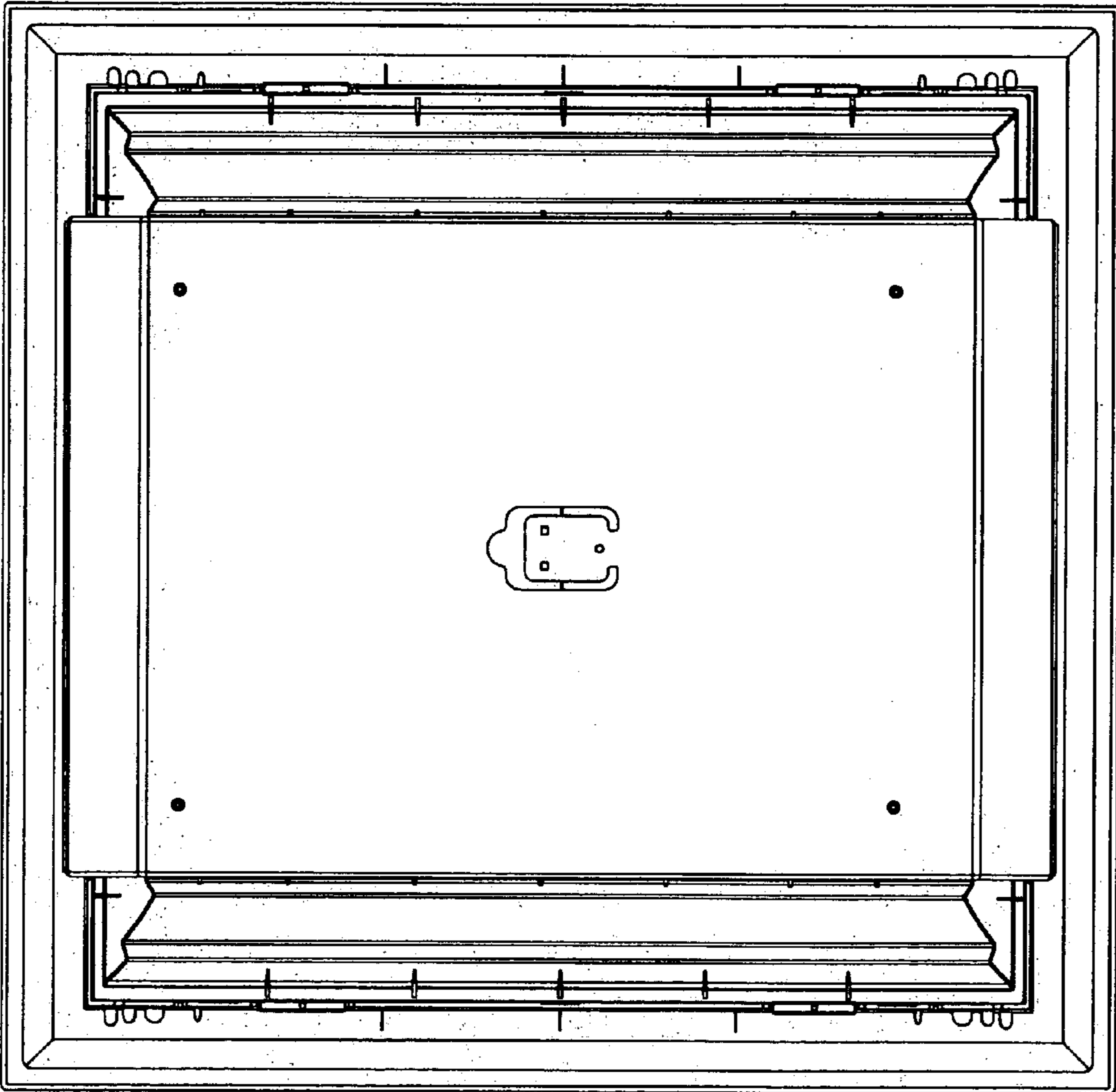


FIG. 5

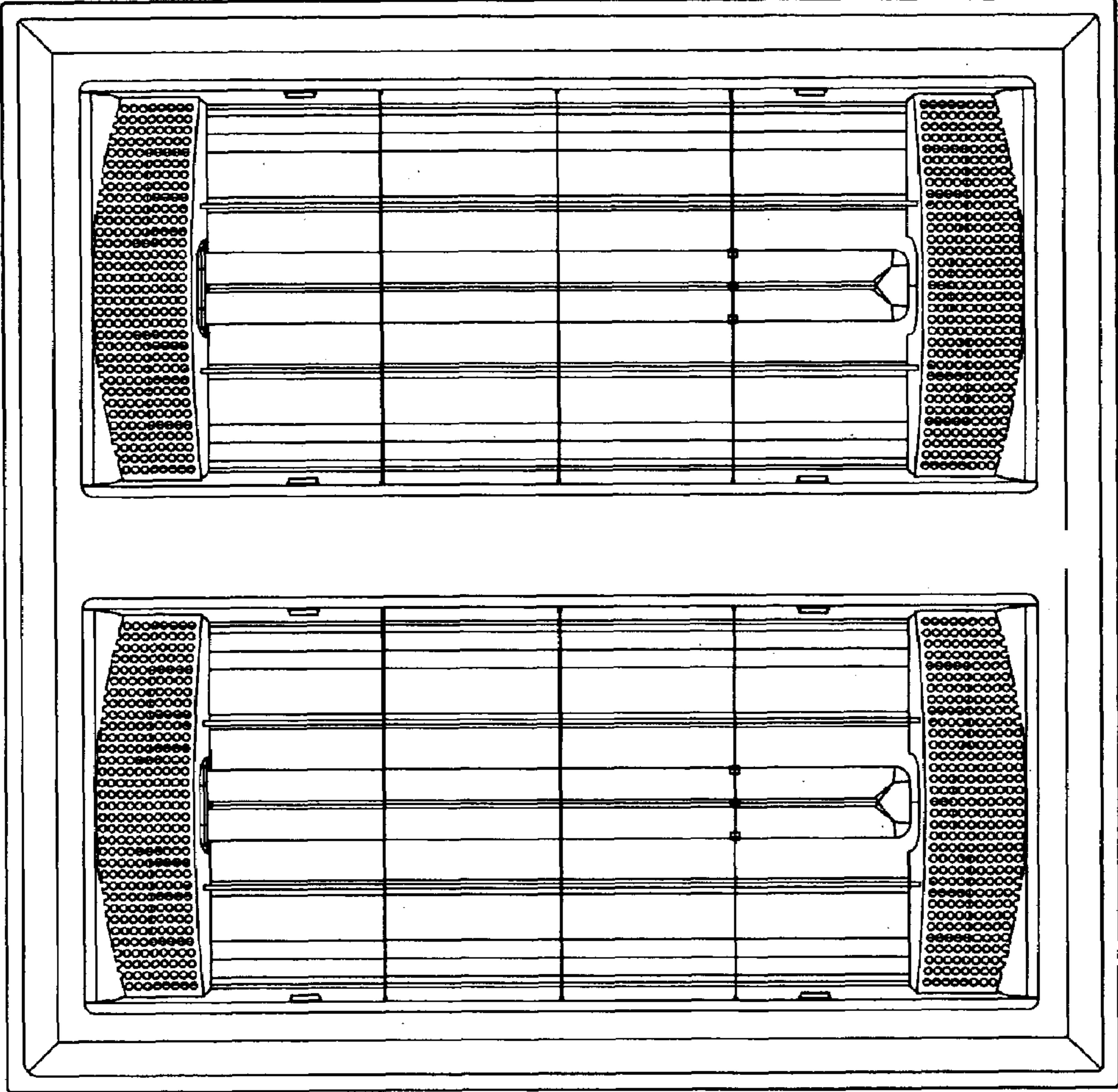


FIG. 6

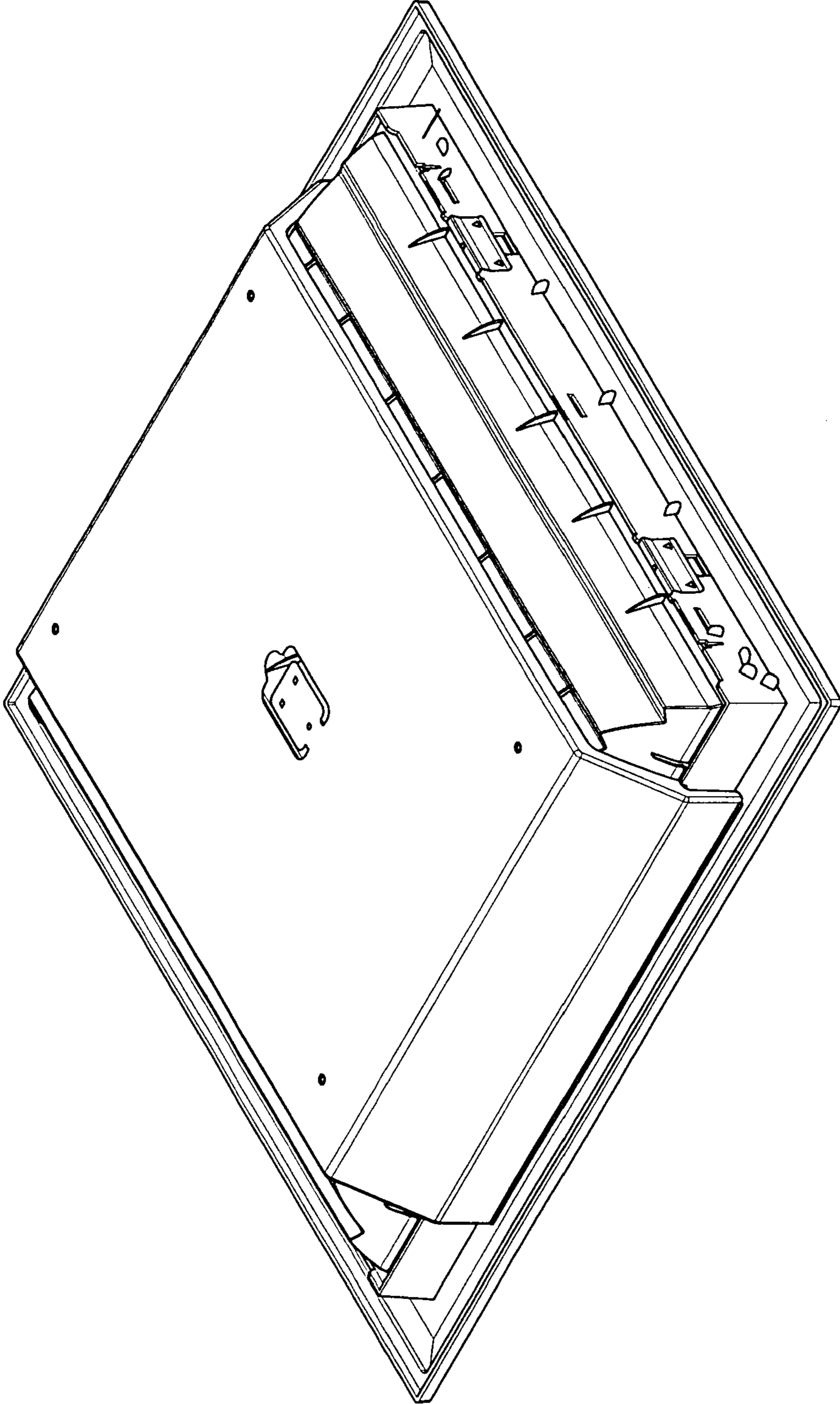


FIG. 7