



US00D611643S

(12) **United States Design Patent**  
**Owen**

(10) **Patent No.:** **US D611,643 S**

(45) **Date of Patent:** **\*\* Mar. 9, 2010**

- (54) **FLUORESCENT LAMP FIXTURE**
- (75) Inventor: **Randy Owen**, Republic, WA (US)
- (73) Assignee: **Industrial Light & Energy, Inc.**,  
Snohomish, WA (US)
- (\*\*) Term: **14 Years**
- (21) Appl. No.: **29/342,912**
- (22) Filed: **Sep. 2, 2009**

D523,165 S *	6/2006	Schultz .....	D26/76
D537,553 S *	2/2007	Kotovskiy et al. ....	D26/75
D556,359 S *	11/2007	Cunius .....	D26/76
D583,496 S *	12/2008	Kuo et al. ....	D26/76
D589,199 S *	3/2009	Pedersen .....	D26/85
D589,638 S *	3/2009	Collins .....	D26/72
D592,349 S *	5/2009	Maxik et al. ....	D26/76
D595,444 S *	6/2009	Shimomura .....	D26/76

\* cited by examiner

*Primary Examiner*—Philip S Hyder

*Assistant Examiner*—Susan E Krakower

(74) *Attorney, Agent, or Firm*—Black Lowe & Graham PLLC

- (51) **LOC (9) Cl.** ..... **26-03**
- (52) **U.S. Cl.** ..... **D26/76**
- (58) **Field of Classification Search** ..... D26/26,  
D26/37, 67, 72, 74–79, 80, 85, 104, 108,  
D26/118, 120, 122, 134; 362/147–148, 150,  
362/217–225, 132, 260, 262–264, 267, 345,  
362/376, 440; D23/370, 371, 385

See application file for complete search history.

(57) **CLAIM**

The ornamental design for a fluorescent lamp fixture, as shown and described.

**DESCRIPTION**

FIG. 1 is a perspective view of a fluorescent lamp fixture showing a new design;

FIG. 2 is a front view thereof;

FIG. 3 is a rear view thereof;

FIG. 4 is a top plan view thereof;

FIG. 5 is a bottom view thereof;

FIG. 6 is a left-side view thereof; and,

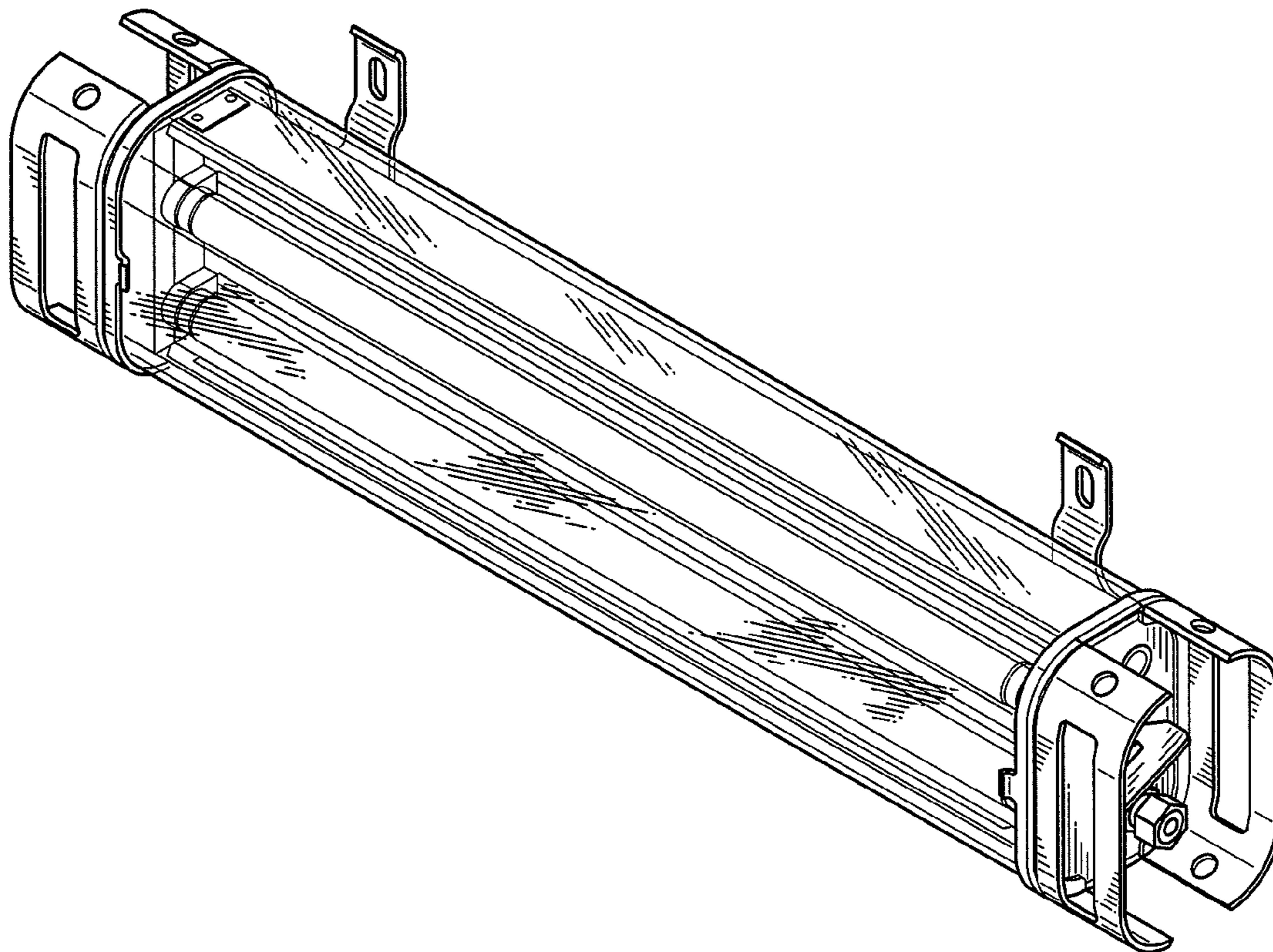
FIG. 7 is a right-side view thereof.

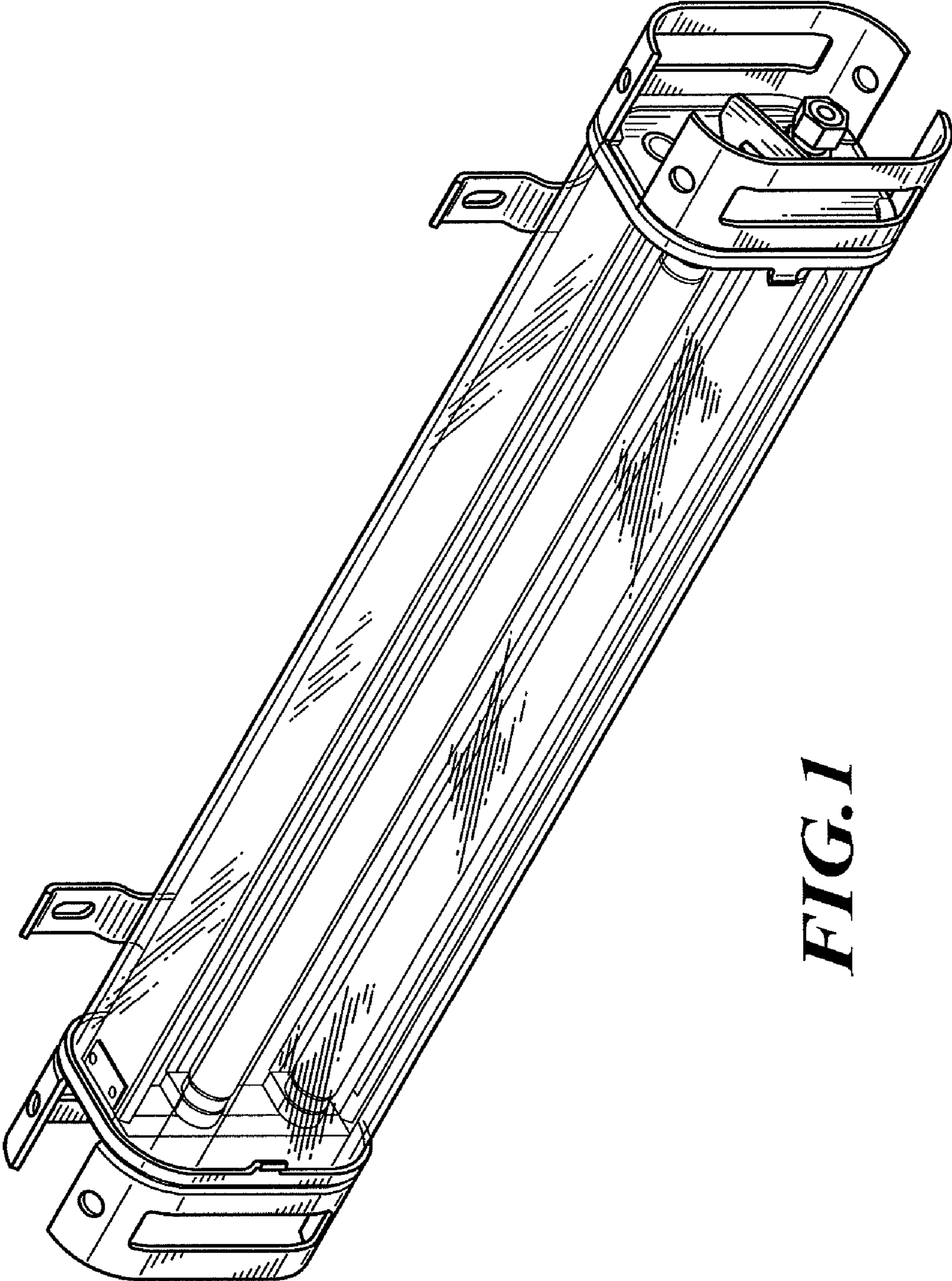
(56) **References Cited**

U.S. PATENT DOCUMENTS

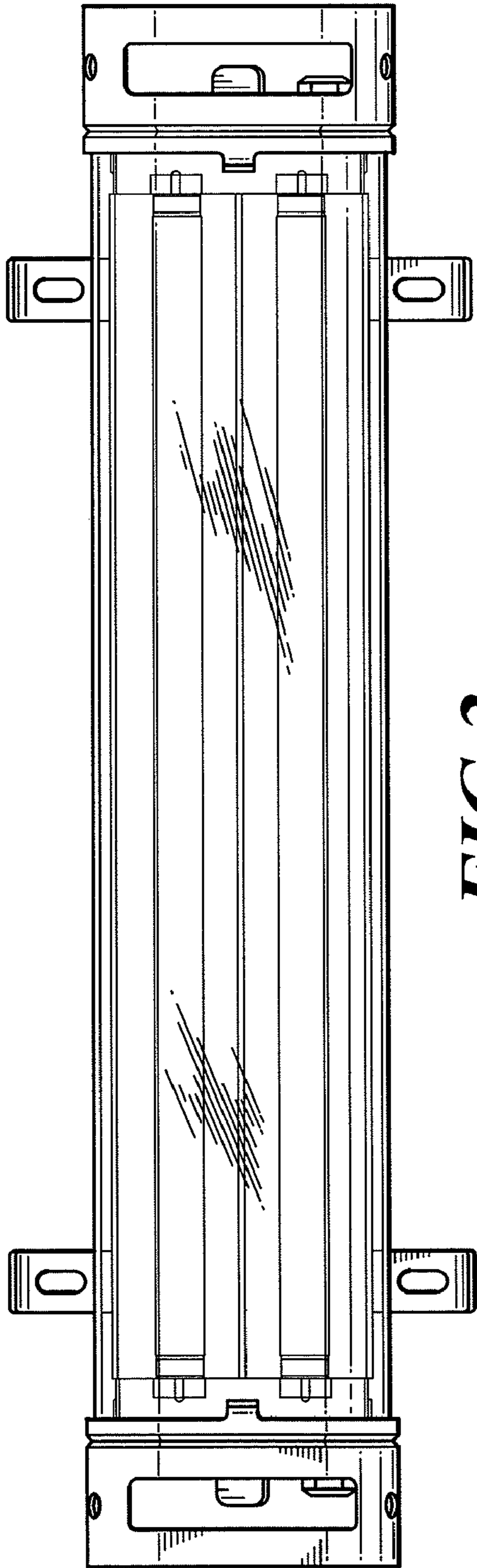
D142,429 S *	9/1945	Lefore .....	D26/78
D177,232 S *	3/1956	Harling .....	D26/24
D256,167 S *	7/1980	Thomson .....	D26/42
D291,928 S *	9/1987	Morten .....	D26/76
D300,471 S *	3/1989	Szymanek .....	D26/76
5,550,725 A *	8/1996	Shemitz et al. ....	362/282
6,186,639 B1 *	2/2001	Givet .....	362/147
D451,228 S *	11/2001	Poon .....	D26/76

**1 Claim, 4 Drawing Sheets**

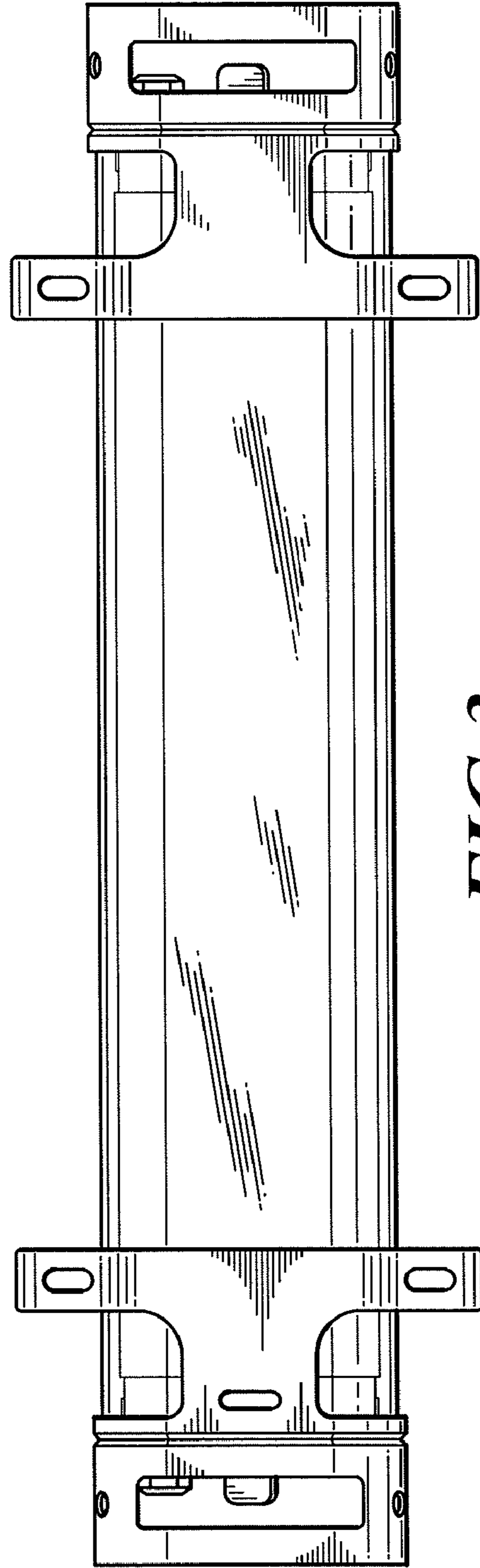




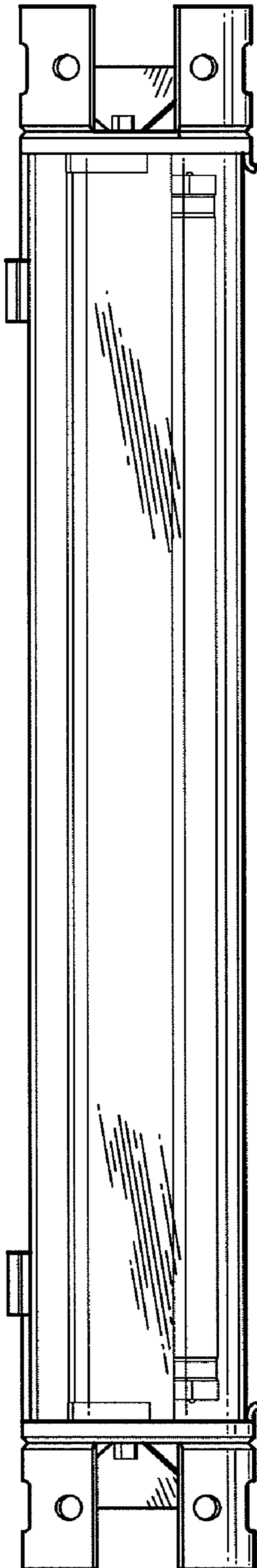
**FIG. 1**



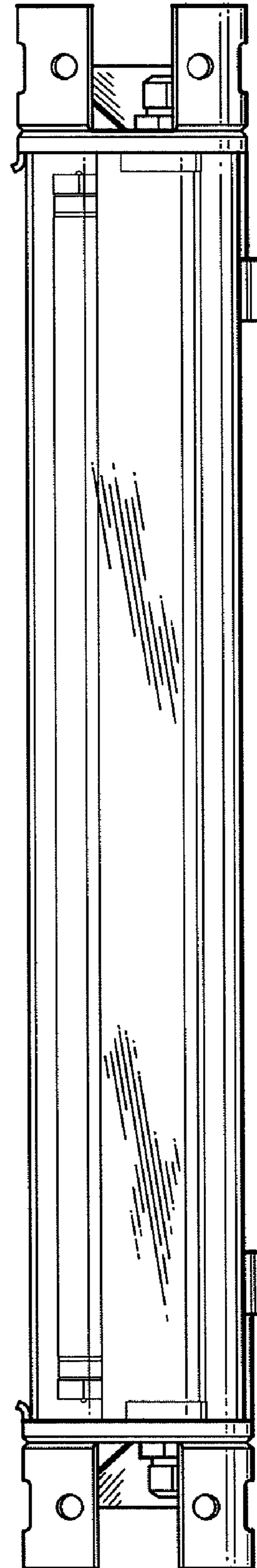
*FIG. 2*



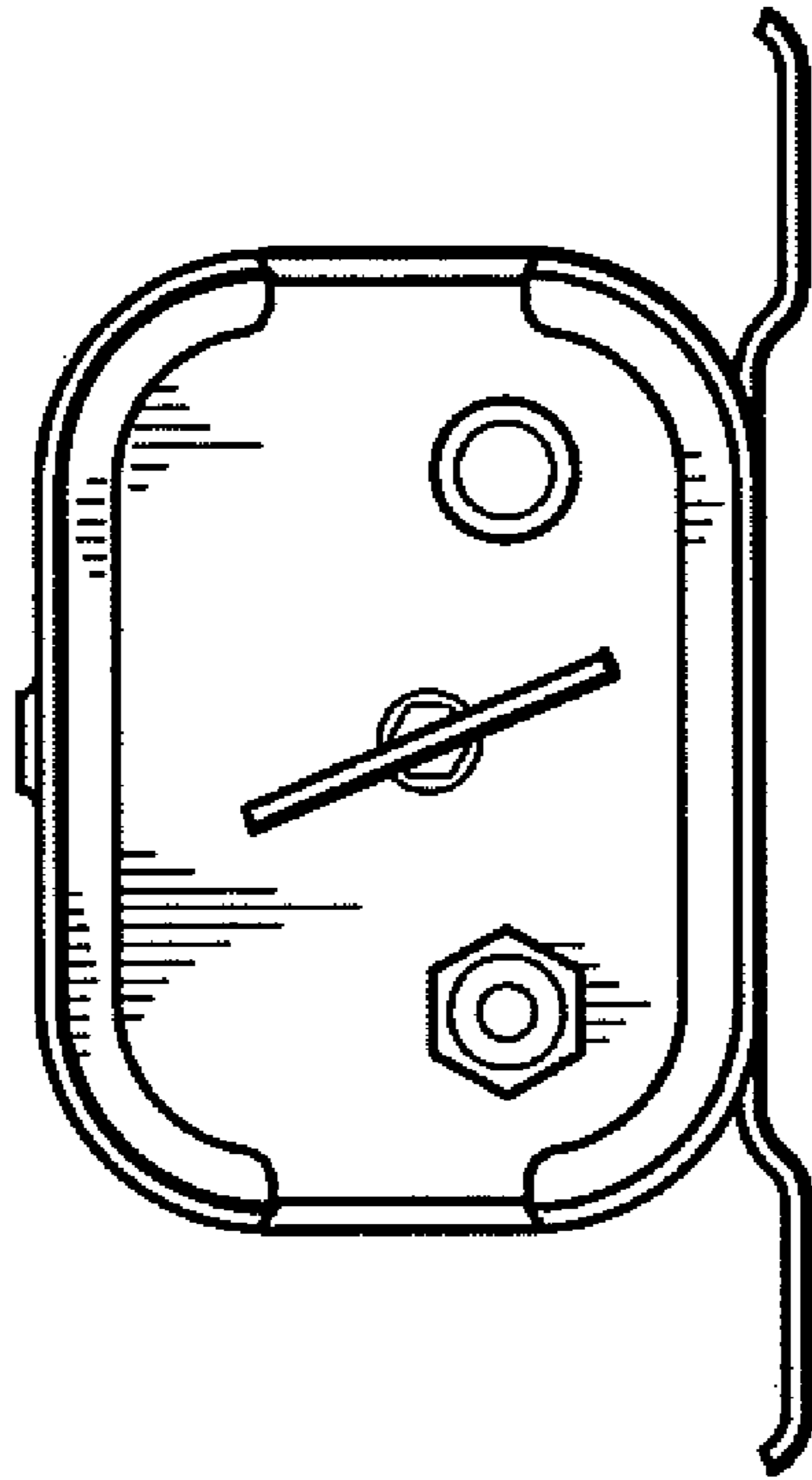
*FIG. 3*



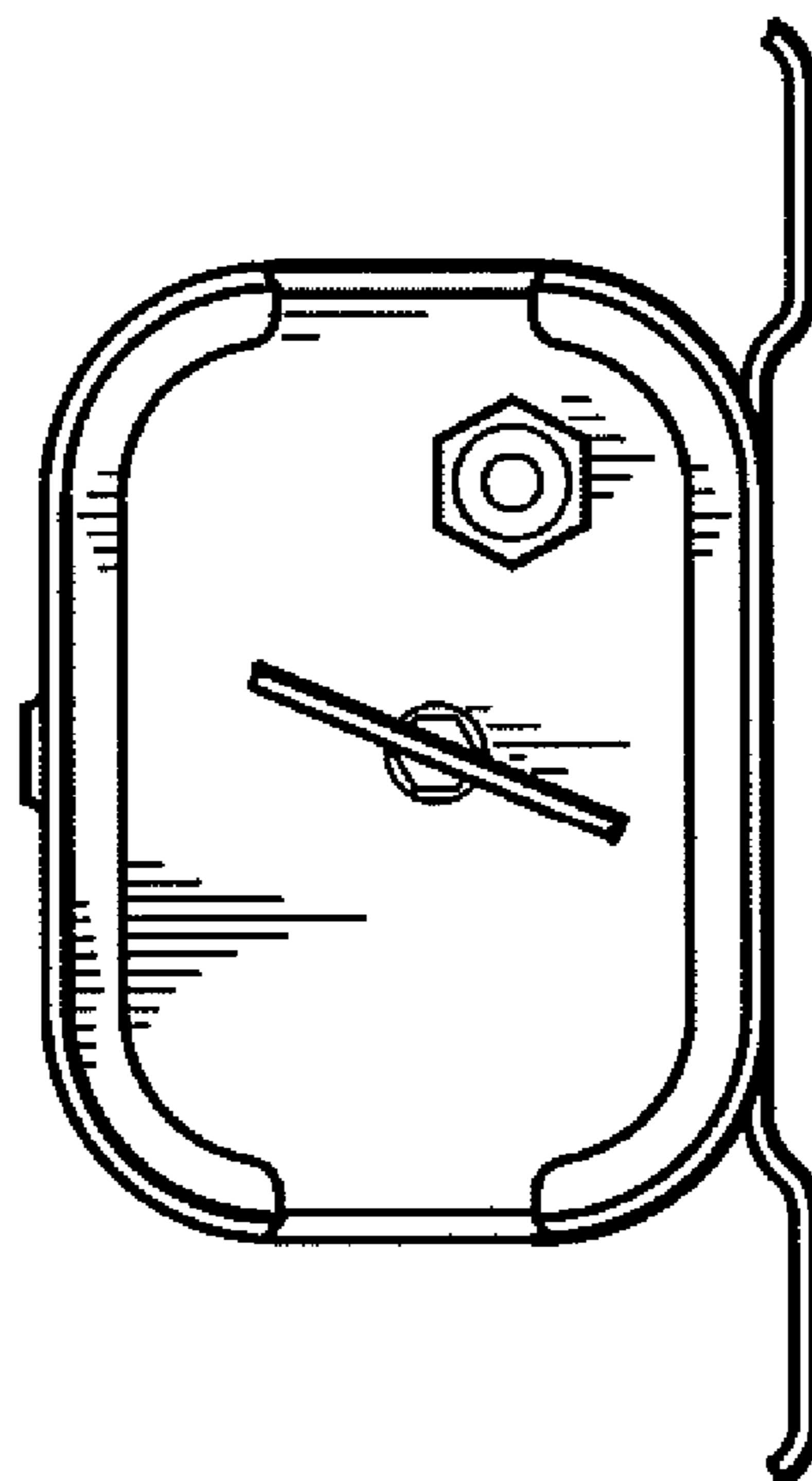
**FIG. 4**



**FIG. 5**



**FIG. 7**



**FIG. 6**