



US00D611642S

(12) **United States Design Patent**  
**Sieczkowski et al.**

(10) **Patent No.:** **US D611,642 S**  
(45) **Date of Patent:** **\*\* Mar. 9, 2010**

(54) **LIGHT FIXTURE**

(75) Inventors: **Philip Sieczkowski**, Lawrenceville, GA  
(US); **James P. Compton**, Conyers, GA  
(US)

(73) Assignee: **ABL IP Holding LLC**, Conyers, GA  
(US)

(\*\*) Term: **14 Years**

(21) Appl. No.: **29/340,098**

(22) Filed: **Jul. 14, 2009**

(51) **LOC (9) Cl.** ..... **26-05**

(52) **U.S. Cl.** ..... **D26/74**

(58) **Field of Classification Search** ..... D26/26,  
D26/37, 67, 72, 74-79, 80, 85, 104, 108,  
D26/118, 120, 122, 134; 362/147-148, 150,  
362/217-225, 132, 260, 262-264, 267, 294,  
362/345, 362, 364, 373, 376, 440

See application file for complete search history.

(56) **References Cited**

**U.S. PATENT DOCUMENTS**

D127,173 S *	5/1941	Levy	.....	D26/76
2,466,463 A	4/1949	Minton		
D153,597 S	5/1949	Gangbin		
D153,598 S	5/1949	Gangbin		
D158,686 S	5/1950	Reben		
D158,687 S	5/1950	Raben		
2,538,681 A	1/1951	Gangbin		
D165,259 S	11/1951	Baker		
2,675,466 A	4/1954	Baker		
2,878,372 A	3/1959	Fry		
2,982,196 A	5/1961	Sherron		
D192,607 S *	4/1962	Cooks	.....	D26/76
3,089,023 A *	5/1963	Trott	.....	362/150
3,104,833 A *	9/1963	Stuart et al.	.....	362/294

3,372,270 A \* 3/1968 Garnett et al. .... 362/150  
3,581,448 A 6/1971 Roux  
3,831,019 A 8/1974 Halfaker et al.

(Continued)

**FOREIGN PATENT DOCUMENTS**

DE 4120182 12/1992

(Continued)

**OTHER PUBLICATIONS**

Cree LED Lighting, "LR24 - Architectural Luminaire Designed for Offices, Schools, Hospitals and Retail Environments", LED Architectural Lay-In Brochure LR24PS, Oct. 2008.

*Primary Examiner*—Philip S Hyder

*Assistant Examiner*—Susan E Krakower

(74) *Attorney, Agent, or Firm*—Kilpatrick Stockton LLP

(57) **CLAIM**

The ornamental design for a light fixture, as shown and described.

**DESCRIPTION**

FIG. 1 shows a bottom perspective view of a light fixture, showing our new design.

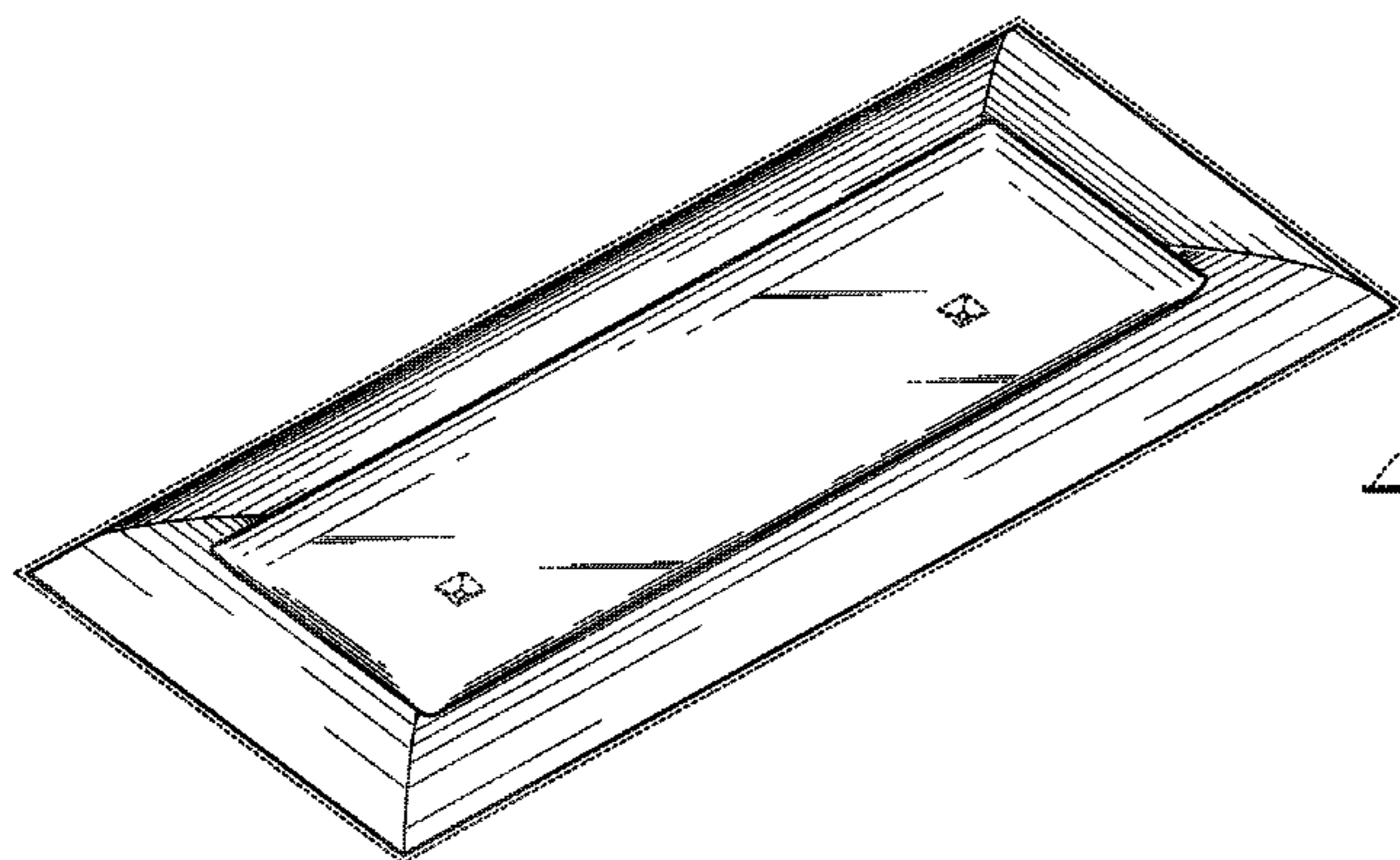
FIG. 2 shows a right side elevation view of the light fixture of FIG. 1, the left side elevation view being identical to the right side elevation view.

FIG. 3 shows a front elevation view of the light fixture of FIG. 1, the rear elevation view being identical to the front elevation view; and,

FIG. 4 shows a bottom plan view of the light fixture of FIG. 1.

Portions or features of the light fixture not shown in the drawings form no part of the claimed design. The broken lines in the drawings form no part of the claimed design.

**1 Claim, 3 Drawing Sheets**



# US D611,642 S

## U.S. PATENT DOCUMENTS

3,995,798 A \* 12/1976 Nikolaus et al. .... 248/214  
 4,086,480 A 4/1978 Lahm  
 4,109,303 A 8/1978 Hetherington  
 4,141,061 A 2/1979 Ford et al.  
 4,149,226 A 4/1979 Dalton  
 D253,309 S 10/1979 Dalton  
 4,562,517 A 12/1985 Pankin  
 4,617,615 A 10/1986 Eychaner  
 4,631,647 A 12/1986 Ranney  
 4,713,916 A 12/1987 Brooks, Jr.  
 4,809,142 A 2/1989 Auerbach  
 5,055,985 A 10/1991 Fabbri  
 5,463,540 A 10/1995 Jones  
 5,491,618 A 2/1996 Vakil  
 D369,426 S \* 4/1996 Sonneman ..... D26/76  
 5,521,801 A 5/1996 Pesau et al.  
 5,617,659 A 4/1997 Okubo  
 D386,804 S 11/1997 Engel  
 5,796,210 A 8/1998 Sakakibara et al.  
 D397,819 S 9/1998 Thorton  
 D399,586 S 10/1998 Ranieri et al.  
 D407,473 S 3/1999 Wimbock  
 D411,326 S \* 6/1999 Roorda ..... D26/87  
 D413,402 S 8/1999 Ranieri et al.  
 5,951,145 A 9/1999 Iwasaki et al.  
 5,988,829 A 11/1999 Holder  
 5,988,836 A 11/1999 Swarens  
 D428,516 S 7/2000 Reo et al.  
 6,193,390 B1 2/2001 Sakakibara et al.  
 6,260,981 B1 7/2001 Fiene  
 6,348,763 B1 2/2002 Collins  
 D460,575 S 7/2002 Tergny et al.  
 6,435,693 B1 8/2002 Fiene  
 6,439,736 B1 8/2002 Fiene  
 6,439,740 B1 8/2002 Yan  
 6,488,386 B1 12/2002 Yan  
 6,508,567 B1 1/2003 Fiene  
 6,523,974 B2 2/2003 Engel  
 6,552,489 B2 4/2003 Sakakibara  
 D477,891 S 7/2003 Fritze et al.  
 6,705,747 B2 3/2004 Caferro et al.  
 6,709,131 B1 3/2004 Herst et al.  
 D493,907 S 8/2004 Benensohn  
 D496,121 S 9/2004 Santoro  
 D496,487 S 9/2004 Rhee  
 6,789,919 B2 9/2004 Imanishi et al.  
 6,815,879 B2 11/2004 Nakamura et al.  
 D499,505 S 12/2004 Benensohn  
 6,860,617 B2 3/2005 Fiene  
 6,869,205 B1 3/2005 Yan  
 6,942,366 B2 9/2005 Mohacsi  
 D514,732 S 2/2006 Benensohn  
 7,121,684 B2 10/2006 Barozzini et al.

D534,301 S 12/2006 Roland  
 7,222,992 B2 5/2007 Holten et al.  
 D544,629 S 6/2007 Benensohn  
 D544,633 S 6/2007 Mayfield, III et al.  
 D544,634 S 6/2007 Mayfield, III et al.  
 D544,986 S 6/2007 Benensohn  
 D544,992 S 6/2007 Mayfield, III et al.  
 D544,993 S 6/2007 Mayfield, III et al.  
 D545,481 S 6/2007 Mayfield, III et al.  
 D545,482 S 6/2007 Mayfield, III et al.  
 D545,483 S 6/2007 Mayfield, III et al.  
 D545,992 S 7/2007 Mayfield, III et al.  
 D545,993 S 7/2007 Mayfield, III et al.  
 D547,482 S \* 7/2007 Blackman ..... D26/76  
 D550,390 S 9/2007 Chandler  
 D551,382 S 9/2007 Curtin  
 D553,781 S 10/2007 Pickard et al.  
 D556,358 S 11/2007 Santoro  
 7,296,910 B2 11/2007 Mayfield, III et al.  
 D561,383 S 2/2008 Hukle et al.  
 D561,930 S 2/2008 Hukle et al.  
 D564,125 S 3/2008 Chandler  
 D566,877 S 4/2008 Chandler  
 D567,989 S 4/2008 Goetz-Schaefer  
 D568,525 S 5/2008 Chandler  
 D568,526 S 5/2008 Chandler  
 D569,024 S 5/2008 Redfern  
 7,374,310 B2 5/2008 Barozzini et al.  
 D572,858 S 7/2008 Santoro  
 D575,386 S \* 8/2008 Jacak et al. .... D23/371  
 D576,760 S 9/2008 Ottobre  
 7,455,422 B2 11/2008 Gould et al.  
 7,481,552 B2 1/2009 Mayfield, III et al.  
 D592,347 S \* 5/2009 Trott et al. .... D26/74  
 D592,348 S \* 5/2009 Trott et al. .... D26/74  
 D601,741 S \* 10/2009 Trott et al. .... D26/74  
 2006/0023450 A1 2/2006 Chung et al.  
 2007/0177389 A1 8/2007 Pickard et al.  
 2007/0183157 A1 8/2007 Holten  
 2007/0211457 A1 9/2007 Mayfield, III et al.  
 2008/0212317 A1 9/2008 Barozzini et al.  
 2008/0278943 A1 11/2008 Van Der Poel  
 2008/0278950 A1 11/2008 Pickard et al.  
 2008/0278952 A1 11/2008 Trott et al.  
 2008/0278957 A1 11/2008 Pickard et al.

## FOREIGN PATENT DOCUMENTS

JP 54102075 8/1979  
 JP 2227903 9/1990  
 JP 3167704 7/1991  
 JP 3167705 7/1991  
 JP 05109306 4/1993

\* cited by examiner



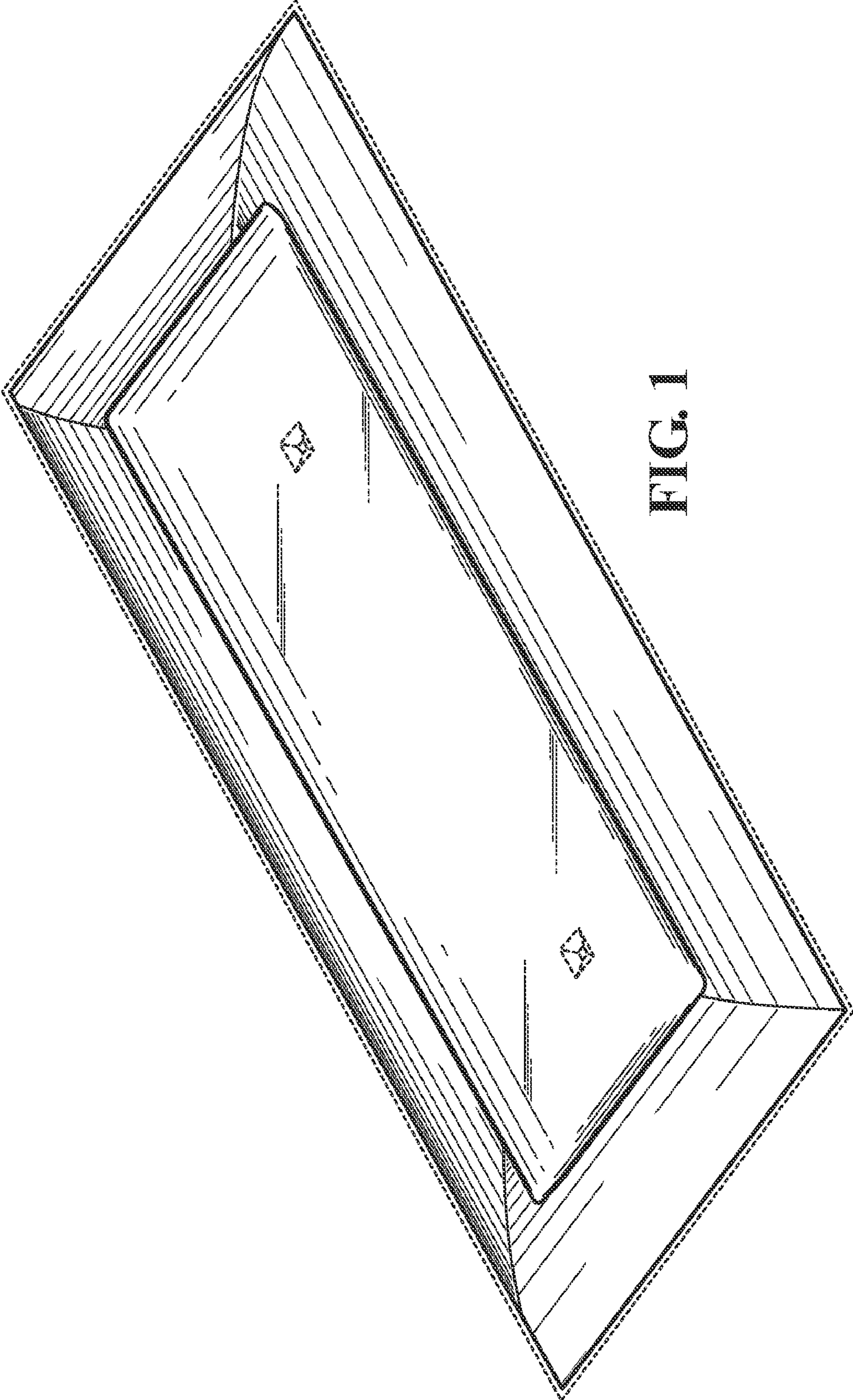


FIG. 1

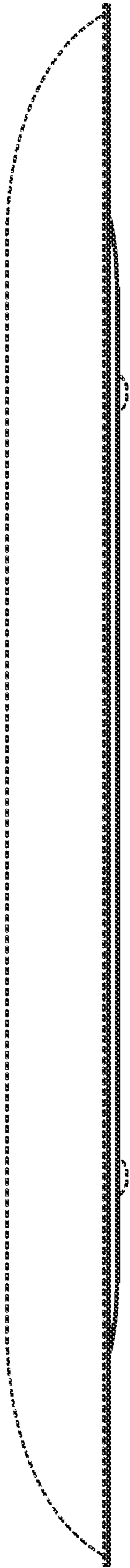


FIG. 2

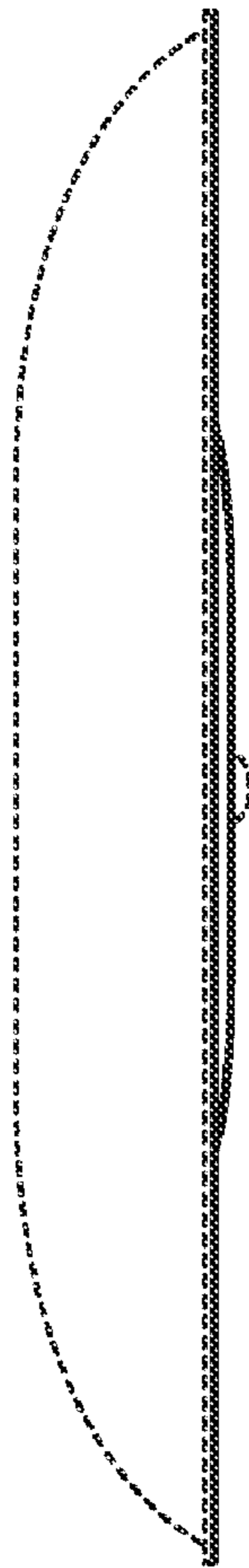


FIG. 3

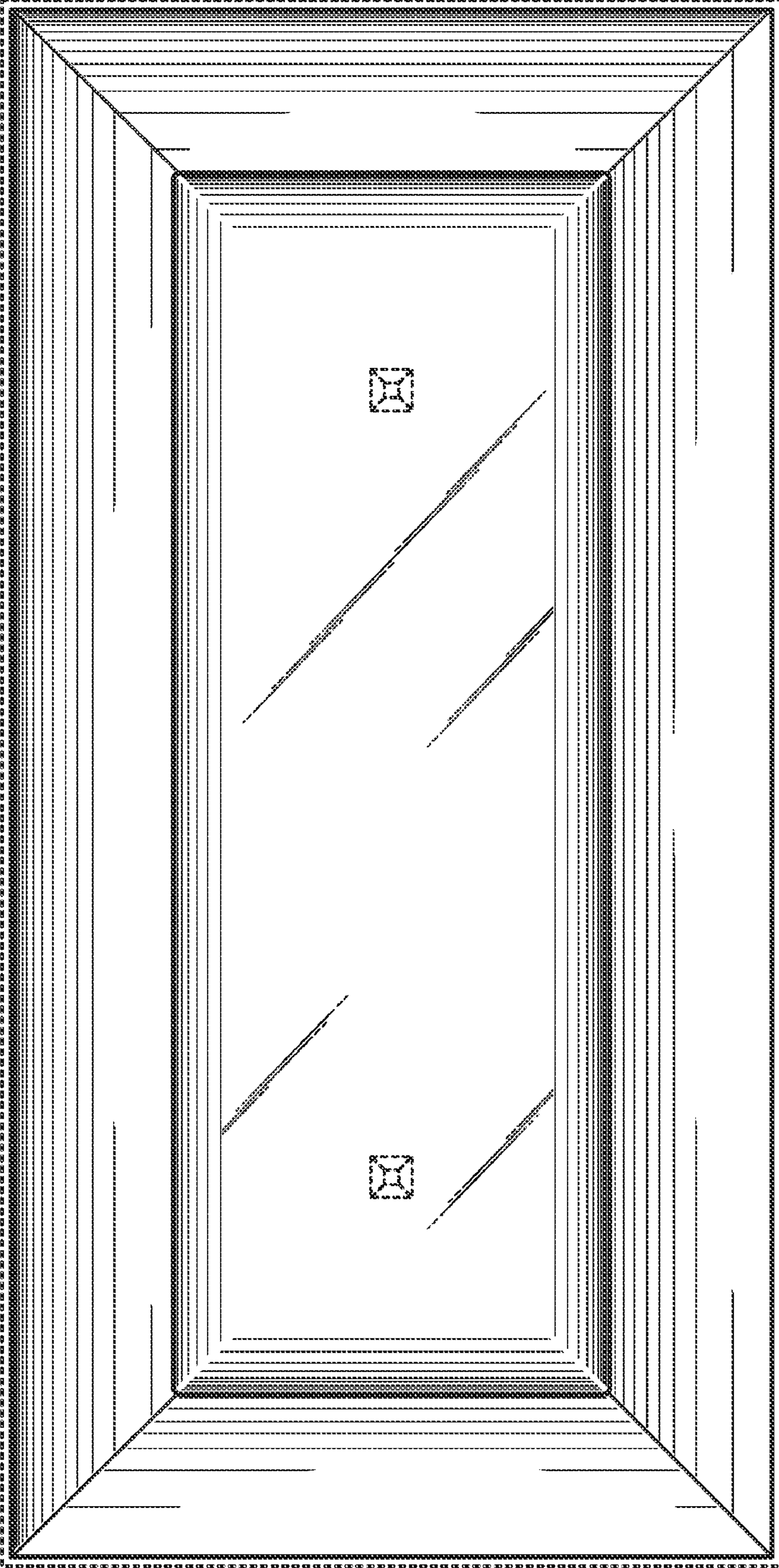


FIG. 4