



US00D611638S

(12) **United States Design Patent**  
**Sabernig**

(10) **Patent No.:** **US D611,638 S**  
(45) **Date of Patent:** **\*\* Mar. 9, 2010**

(54) **LIGHT FIXTURE**

(75) Inventor: **Robert Sabernig**, Munster (AT)

(73) Assignee: **EGLO Leuchten GmbH**, Innsbruck (AT)

(\*\*) Term: **14 Years**

(21) Appl. No.: **29/329,686**

(22) Filed: **Dec. 19, 2008**

**Related U.S. Application Data**

(63) Continuation-in-part of application No. 29/305,365, filed on Mar. 19, 2008, now abandoned.

(51) **LOC (9) Cl.** ..... **26-06**

(52) **U.S. Cl.** ..... **D26/63**

(58) **Field of Classification Search** ..... D26/43, D26/51, 56, 60–66, 72, 93, 107, 118, 128; D24/210; 362/147, 191, 230, 231, 232, 238, 362/239, 250, 254, 255, 265, 269, 270, 275, 362/277, 278, 280–288, 306, 310, 311, 362, 362/396, 404, 410–414, 418–430, 449, 640, 362/647, 648, 652, 653, 655, 804, 99; 439/122  
See application file for complete search history.

(56) **References Cited**

**U.S. PATENT DOCUMENTS**

- D322,862 S \* 12/1991 Miller ..... D26/63
- D369,877 S \* 5/1996 Lupien ..... D26/64
- D379,543 S \* 5/1997 Lin ..... D26/63
- D448,508 S \* 9/2001 Benghozi ..... D26/63
- D458,396 S \* 6/2002 Grove ..... D26/28
- D521,665 S \* 5/2006 Ness ..... D26/28
- D521,674 S \* 5/2006 Fan ..... D26/65
- D586,945 S \* 2/2009 Huang ..... D26/118
- D586,946 S \* 2/2009 Huang ..... D26/118

- D590,981 S \* 4/2009 Sabernig ..... D26/63
- D599,950 S \* 9/2009 Sabernig ..... D26/136
- 2008/0192461 A1 \* 8/2008 Chien ..... 362/183

**OTHER PUBLICATIONS**

Welcome to Eglo. Web. Accessed Oct. 20, 2009. <<http://www.eglo.com>>. Product: Penform #88352.\*

\* cited by examiner

*Primary Examiner*—Cathron C Brooks

*Assistant Examiner*—Barbara Fox

(74) *Attorney, Agent, or Firm*—Baker & McKenzie LLP

(57) **CLAIM**

The ornamental design for a light fixture, as shown and described.

**DESCRIPTION**

FIG. 1 is a perspective view of a light fixture in accordance with my design, illustrating movable portions;

FIG. 2 is a side elevation view of the light fixture in accordance with my design, illustrating movable portions;

FIG. 3 is an opposite side elevation view of the light fixture in accordance with my design, illustrating movable portions;

FIG. 4 is a bottom plan view of the light fixture in accordance with my design, illustrating movable portions;

FIG. 5 is a top plan view of the light fixture in accordance with my design, illustrating movable portions;

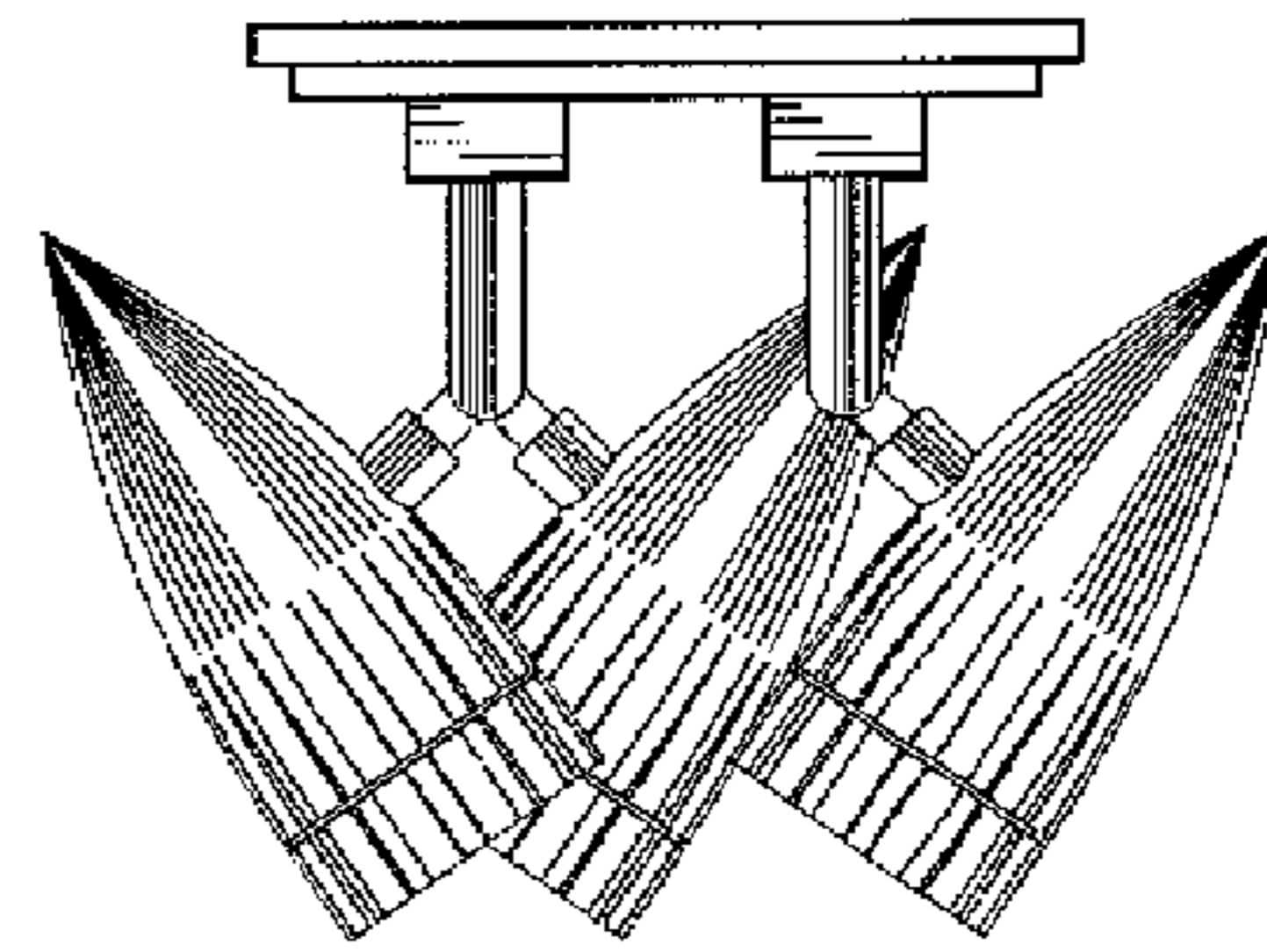
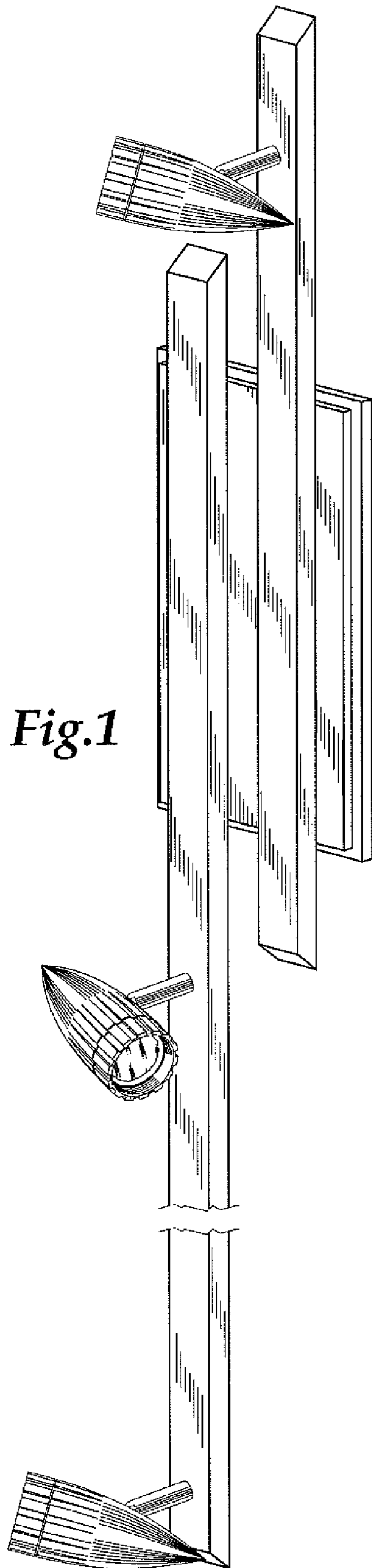
FIG. 6 is a front plan view of the light fixture in accordance with my design, illustrating movable portions; and,

FIG. 7 is a back plan view of the light fixture in accordance with my design, illustrating movable portions.

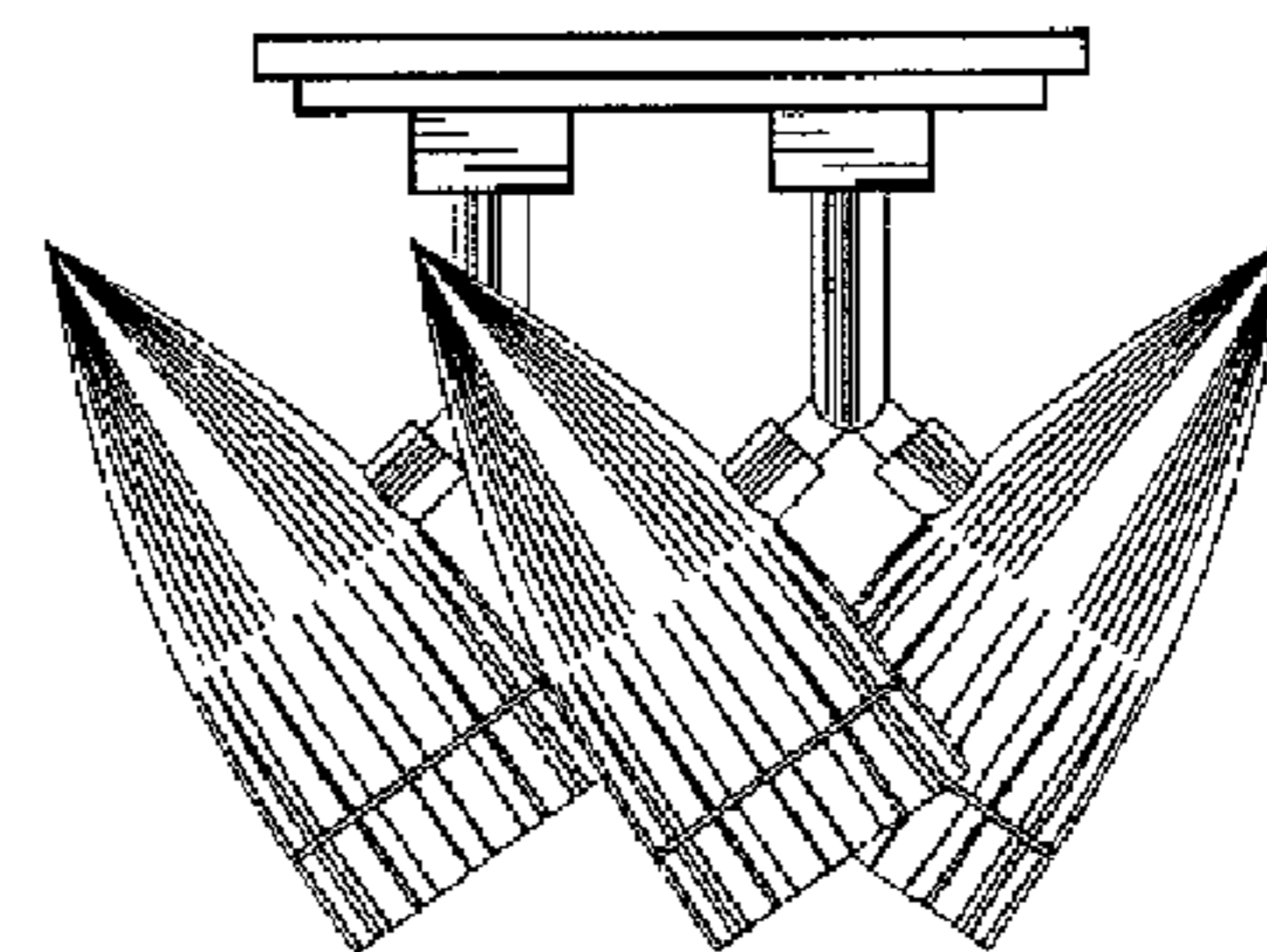
The light fixture of FIGS. 1 and 4–7 is shown broken away to indicate that no specific length is claimed.

**1 Claim, 3 Drawing Sheets**

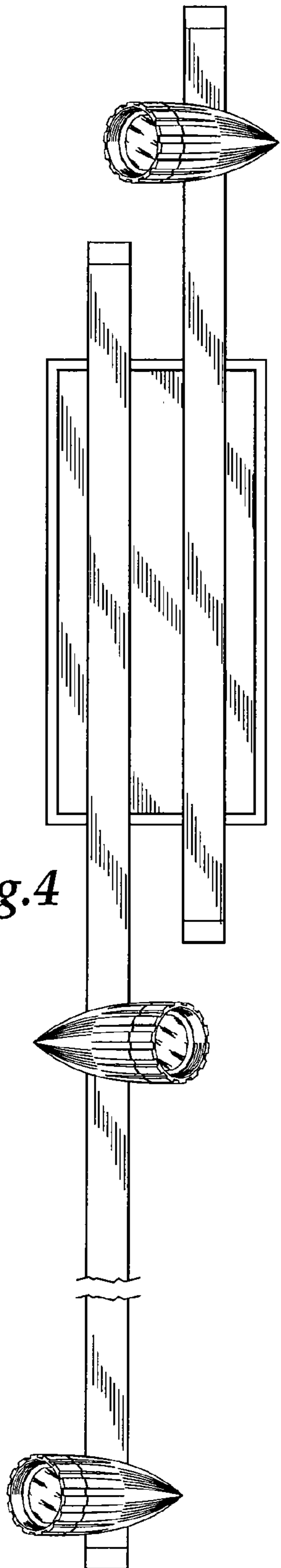




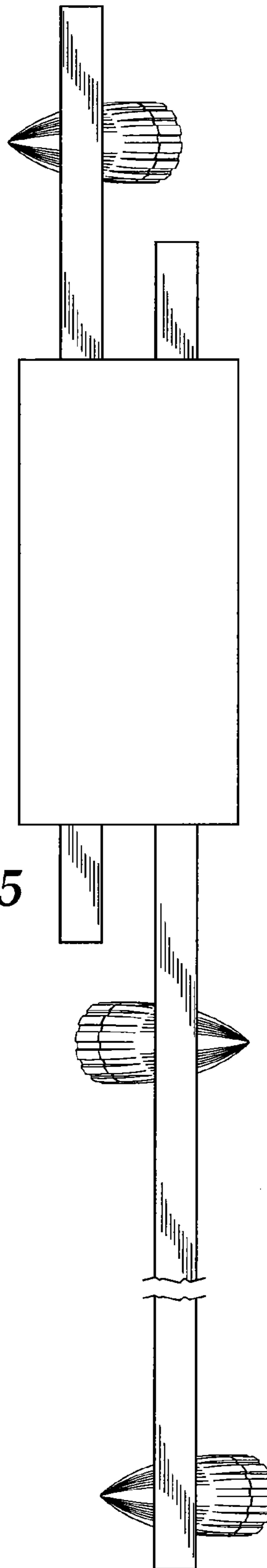
*Fig. 2*



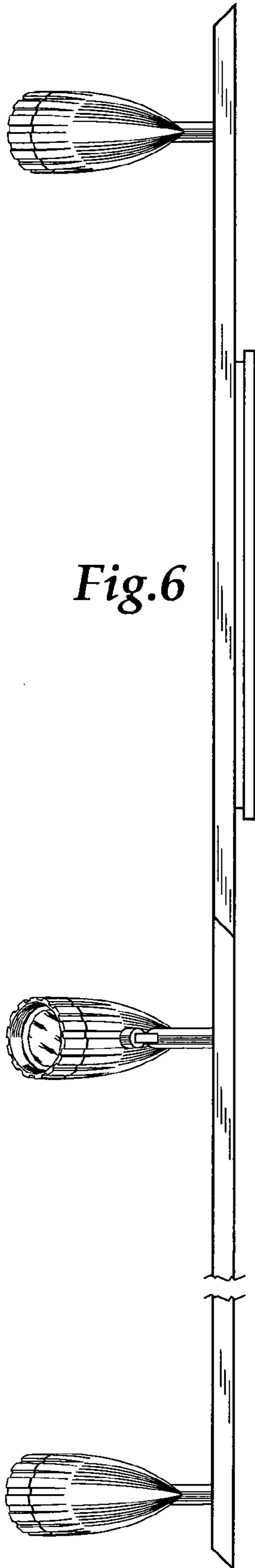
*Fig. 3*



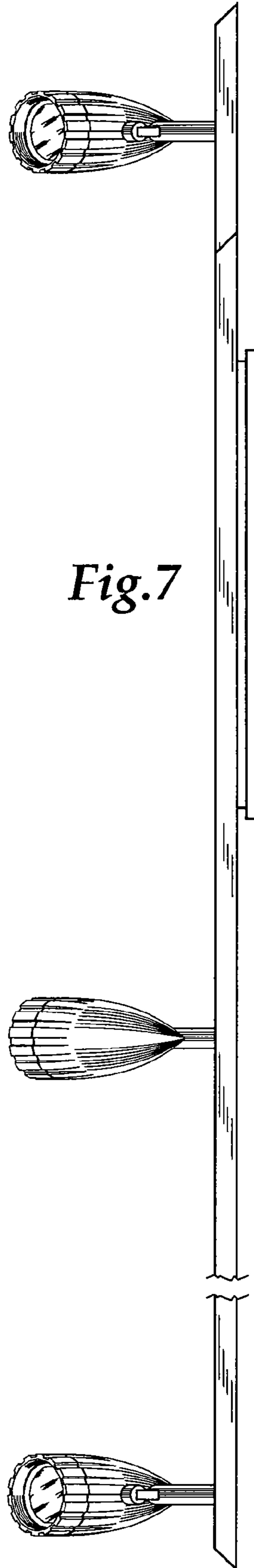
*Fig.4*



*Fig.5*



*Fig.6*



*Fig.7*