



US00D611637S

(12) **United States Design Patent**
Sabernig

(10) **Patent No.:** **US D611,637 S**
(45) **Date of Patent:** **** Mar. 9, 2010**

(54) **LIGHT FIXTURE**

(75) Inventor: **Robert Sabernig**, Munster (AT)

(73) Assignee: **EGLO Leuchten GmbH**, Innsbruck (AT)

(**) Term: **14 Years**

(21) Appl. No.: **29/329,684**

(22) Filed: **Dec. 19, 2008**

Related U.S. Application Data

(63) Continuation of application No. 29/303,067, filed on Jan. 31, 2008, now abandoned.

(51) **LOC (9) Cl.** **26-05**

(52) **U.S. Cl.** **D26/63**

(58) **Field of Classification Search** D26/43,
D26/51, 56, 60-66, 72, 93, 107, 118, 128;
D24/210; 362/147, 191, 230, 231, 232, 238,
362/239, 250, 254, 255, 265, 269, 270, 275,
362/277, 278, 280-288, 306, 310, 311, 362,
362/396, 404, 410-414, 418-430, 449, 640,
362/647, 648, 652, 653, 655, 804, 99; 439/122
See application file for complete search history.

(56) **References Cited**

U.S. PATENT DOCUMENTS

2,293,672	A *	8/1942	Bookman, Jr.	362/355
D179,445	S *	12/1956	Eaton	D14/195
D204,792	S	5/1966	Collins et al.	
D205,463	S *	8/1966	Zelenko	D26/62
D217,063	S	3/1970	Daito et al.	
D243,034	S	1/1977	Marsh, Jr.	
D434,165	S	11/2000	Hiller et al.	
D452,031	S *	12/2001	Brunner et al.	D26/87
D454,219	S *	3/2002	Thompson	D26/63
D470,962	S	2/2003	Chen	
D492,054	S	6/2004	Donegani et al.	
D506,022	S	6/2005	Benghozi	
D506,282	S	6/2005	Benghozi	
D506,283	S	6/2005	Benghozi	

D506,284	S	6/2005	Benghozi	
D507,071	S	7/2005	Benghozi	
D514,738	S *	2/2006	Wachter	D26/142
7,086,759	B2 *	8/2006	Hartmann et al.	362/311.02

(Continued)

OTHER PUBLICATIONS

Welcome to EGLO. Web. Accessed Oct. 20, 2009. <<http://www.eglo.com>>. Product: Halve 1 #88359.*

(Continued)

Primary Examiner—Cathron C Brooks

Assistant Examiner—Barbara Fox

(74) *Attorney, Agent, or Firm*—Baker & McKenzie LLP

(57) **CLAIM**

The ornamental design for a light fixture, as shown and described.

DESCRIPTION

FIG. 1 is a perspective view of a light fixture in accordance with my design, illustrating movable portions;

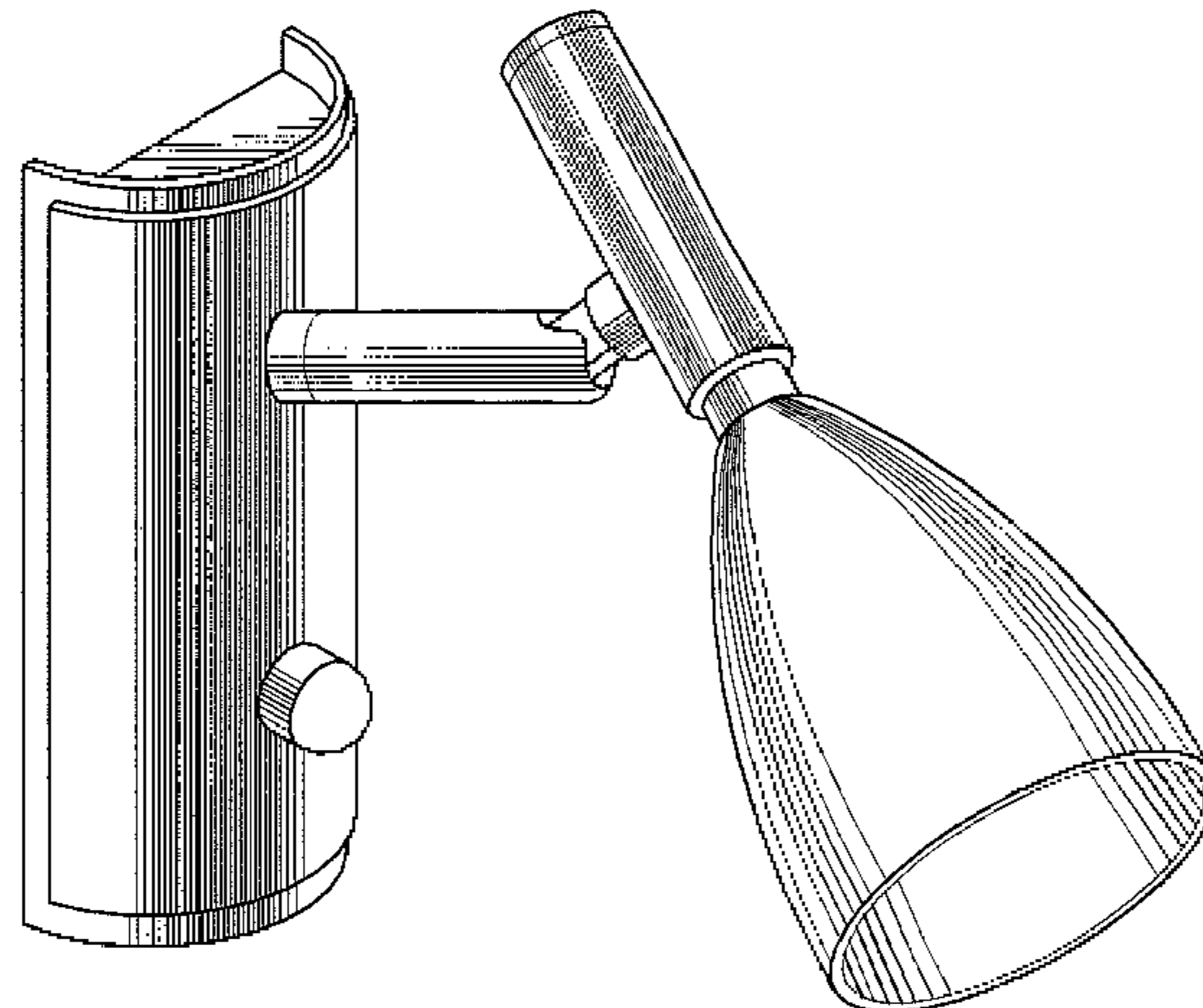
FIG. 2 is a front elevation view of the light fixture in accordance with my design, illustrating movable portions;

FIG. 3 is a side elevation view of the light fixture in accordance with my design, illustrating movable portions, the opposite side being a mirror image of that shown;

FIG. 4 is a bottom plan view of the light fixture in accordance with my design, illustrating movable portions; and,

FIG. 5 is a top plan view of the light fixture in accordance with my design, illustrating movable portions.

1 Claim, 2 Drawing Sheets



US D611,637 S

Page 2

U.S. PATENT DOCUMENTS

D544,131 S * 6/2007 Blackman D26/85
D563,021 S 2/2008 Hetfield et al.
D568,518 S * 5/2008 Schmidt D26/63
D589,188 S * 3/2009 Sabernig D26/62
2007/0291473 A1 12/2007 Traynor

OTHER PUBLICATIONS

Holtkoetter; Antique Brass Round Three Light Spotlight; Model No. 10451; printed from www.lampsplus.com on Feb. 4, 2008.

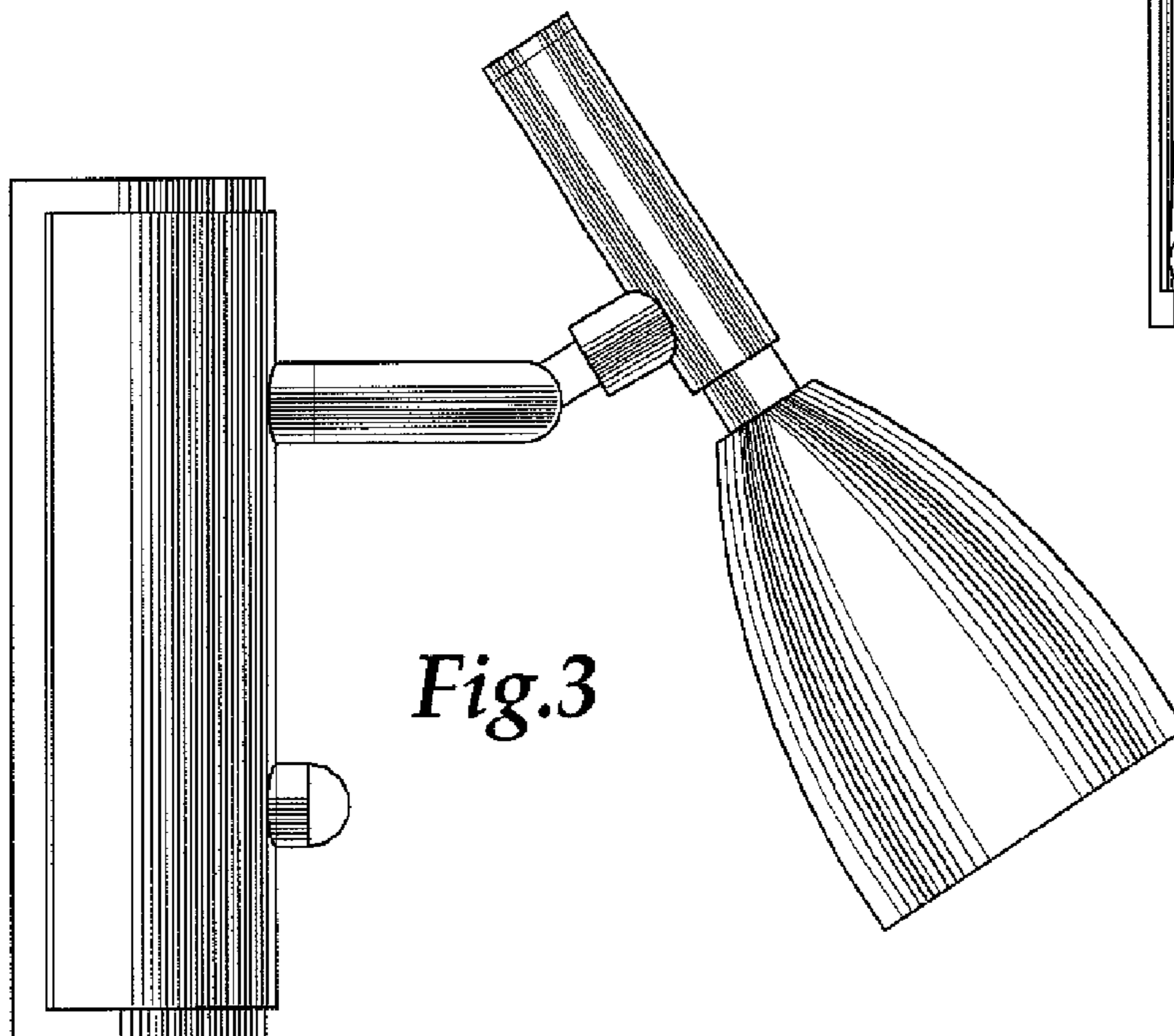
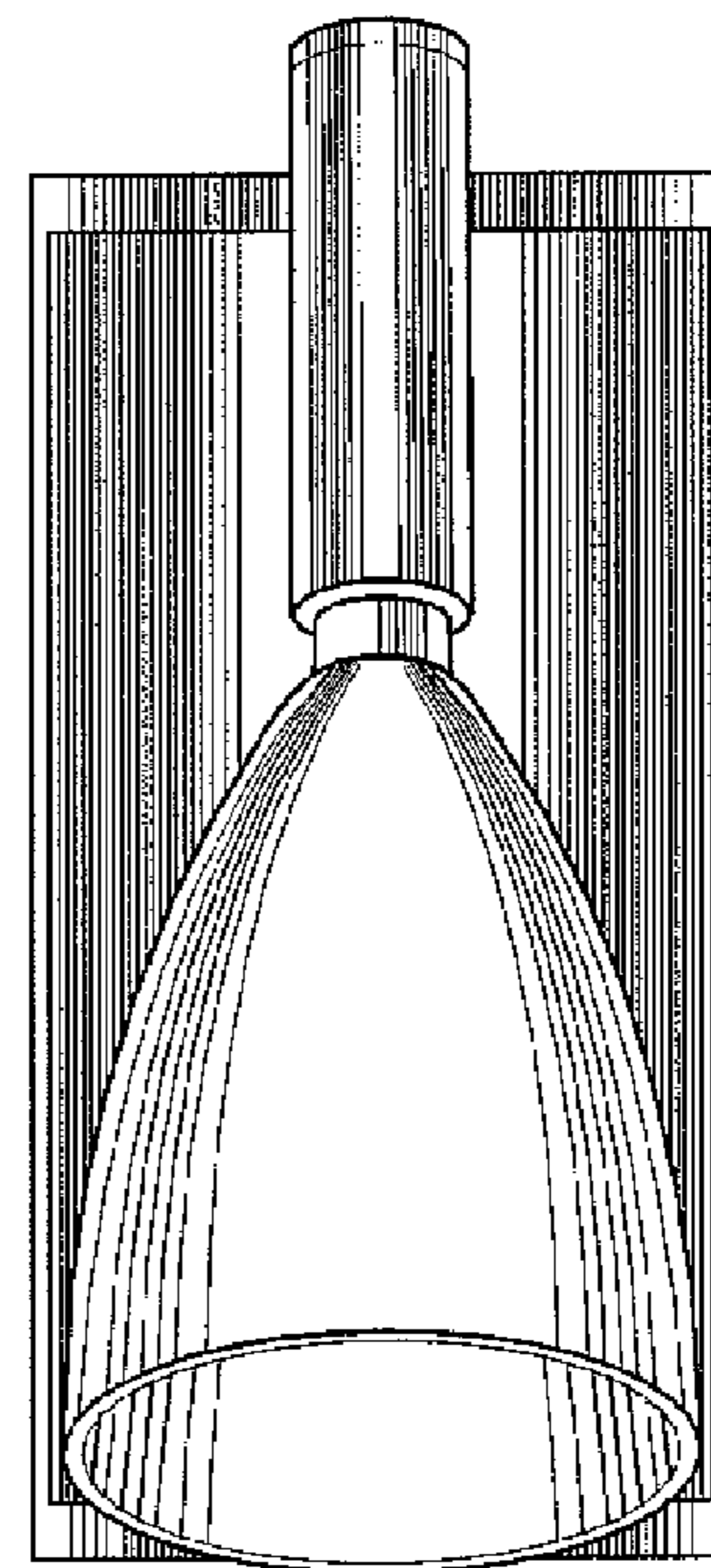
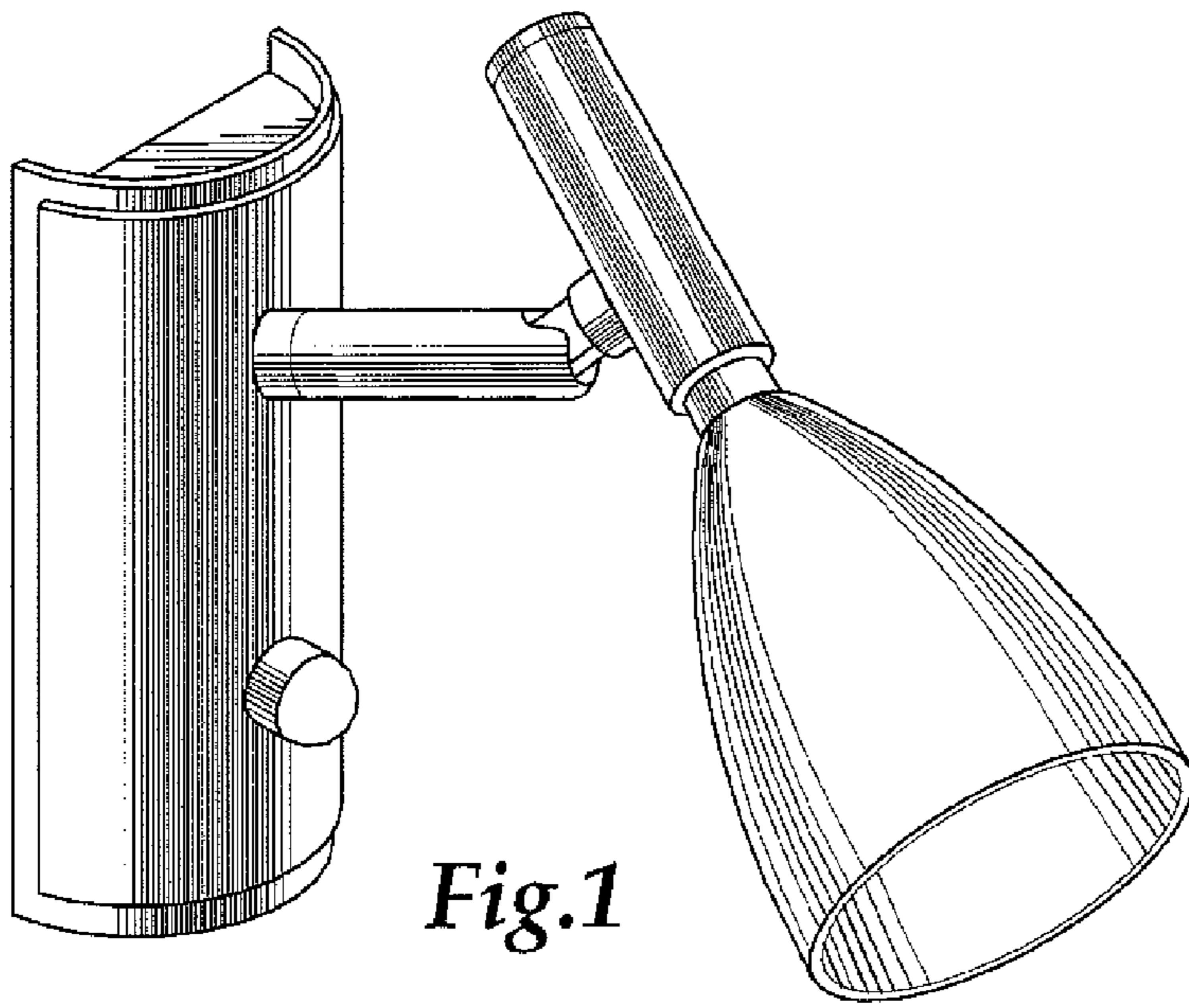
New Mirage; Three-Light Ceiling Mount; Model No. 52221; printed from www.modernlightinguniverse.com on Mar. 19, 2008.

Pro Track®; 150 Watt Three Light Halogen Ceiling Fixture; Model No. 67878; printed from www.lampsplus.com on Feb. 4, 2008.

Three Light Spot Floor Lamp; Model No. 56445; printed from www.lampsplus.com on Mar. 11, 2008.

Light Source; Turtle Halogen Floor Lamp Polished Steel; Model No. LS-8615PS; printed from www.lampsusa.com on Mar. 11, 2008.

* cited by examiner



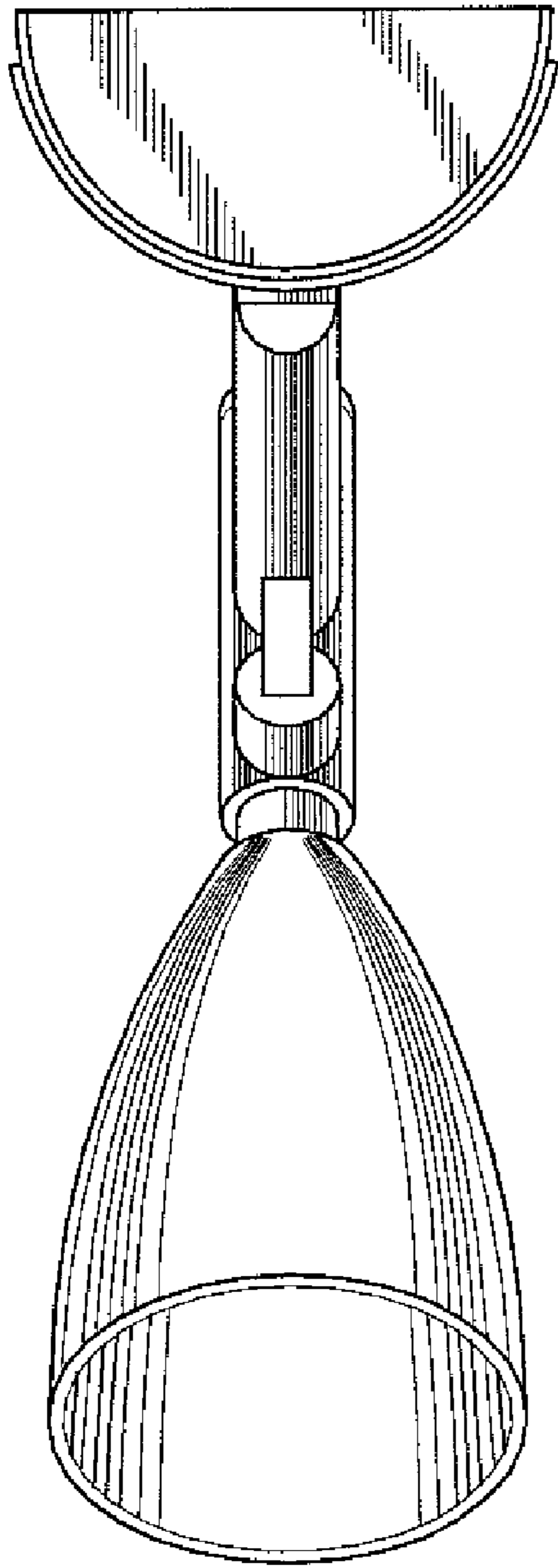


Fig.4

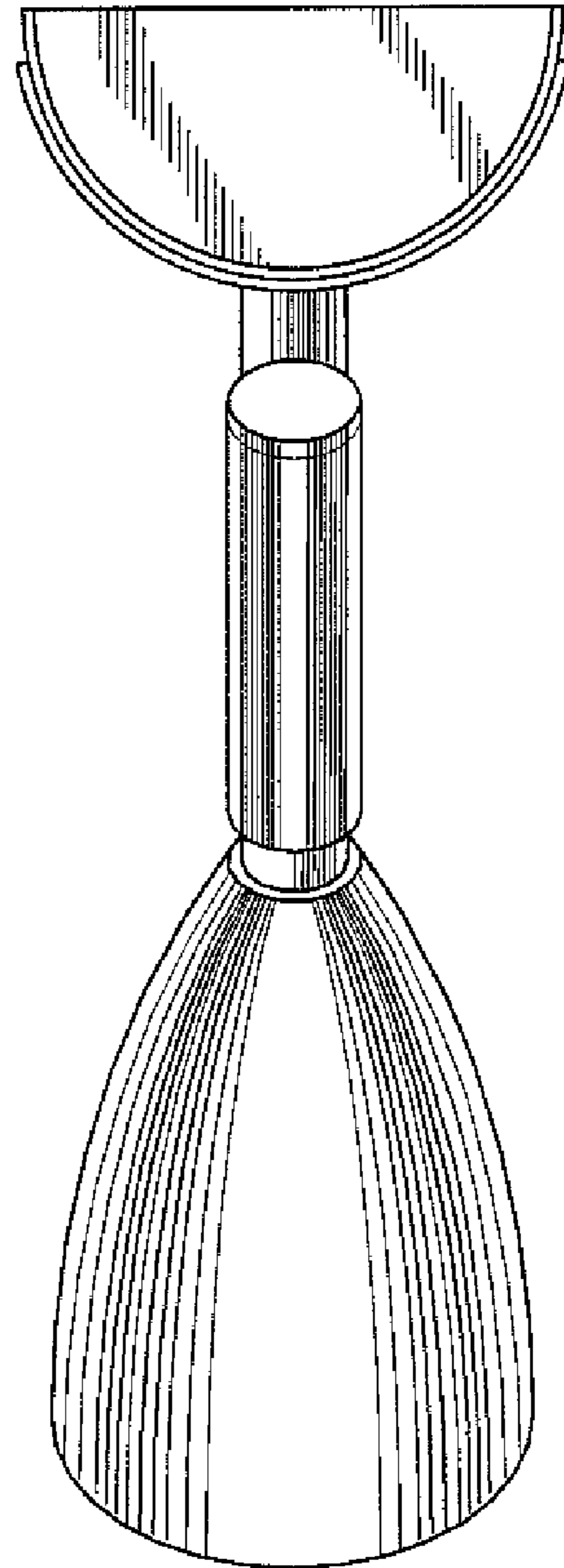


Fig.5