



US00D611636S

(12) **United States Design Patent**
Sabernig

(10) **Patent No.:** **US D611,636 S**
(45) **Date of Patent:** **** Mar. 9, 2010**

(54) **LIGHT FIXTURE**

- (75) Inventor: **Robert Sabernig**, Munster (AT)
- (73) Assignee: **EGLO Leuchten GmbH**, Innsbruck (AT)
- (**) Term: **14 Years**
- (21) Appl. No.: **29/325,099**
- (22) Filed: **Sep. 25, 2008**

Related U.S. Application Data

- (63) Continuation-in-part of application No. 29/303,065, filed on Jan. 31, 2008, now abandoned.

- (51) **LOC (9) Cl.** **26-05**
- (52) **U.S. Cl.** **D26/63**
- (58) **Field of Classification Search** D26/43, D26/51, 56, 60–66, 72, 93, 107, 118, 128; D24/210; 362/147, 191, 230, 231, 232, 238, 362/239, 250, 254, 255, 265, 269, 270, 275, 362/277, 278, 280–288, 306, 310, 311, 362, 362/396, 404, 410–414, 418, 430, 449, 640, 362/647, 648, 652, 653, 655, 804, 99; 439/122
See application file for complete search history.

(56) **References Cited**

U.S. PATENT DOCUMENTS

- D179,445 S * 12/1956 Eaton D14/195

(Continued)

OTHER PUBLICATIONS

Welcome to Eglo. Web. Accessed Oct. 20, 2009. <<http://www.eglo.com>>. Product: Halve 1 #88374.*

(Continued)

Primary Examiner—Cathron C Brooks
Assistant Examiner—Barbara Fox
(74) *Attorney, Agent, or Firm*—Baker & McKenzie LLP

(57) **CLAIM**

The ornamental design for a light fixture, as shown and described.

DESCRIPTION

FIG. 1 is a bottom perspective view of a light fixture in accordance with my design, illustrating multiple adjustable positions of various portions of the light fixture;

FIG. 2 is a front elevation view of the light fixture in accordance with my design, illustrating multiple adjustable positions of various portions of the light fixture;

FIG. 3 is a back elevation view of the light fixture in accordance with my design, illustrating multiple adjustable positions of various portions of the light fixture;

FIG. 4 is a top plan view of the light fixture in accordance with my design, illustrating multiple adjustable positions of various portions of the light fixture;

FIG. 5 is a bottom plan view of the light fixture in accordance with my design, illustrating multiple adjustable positions of various portions of the light fixture;

FIG. 6 is a side elevation view of the light fixture in accordance with my design illustrating multiple adjustable positions of various portions of the light fixture;

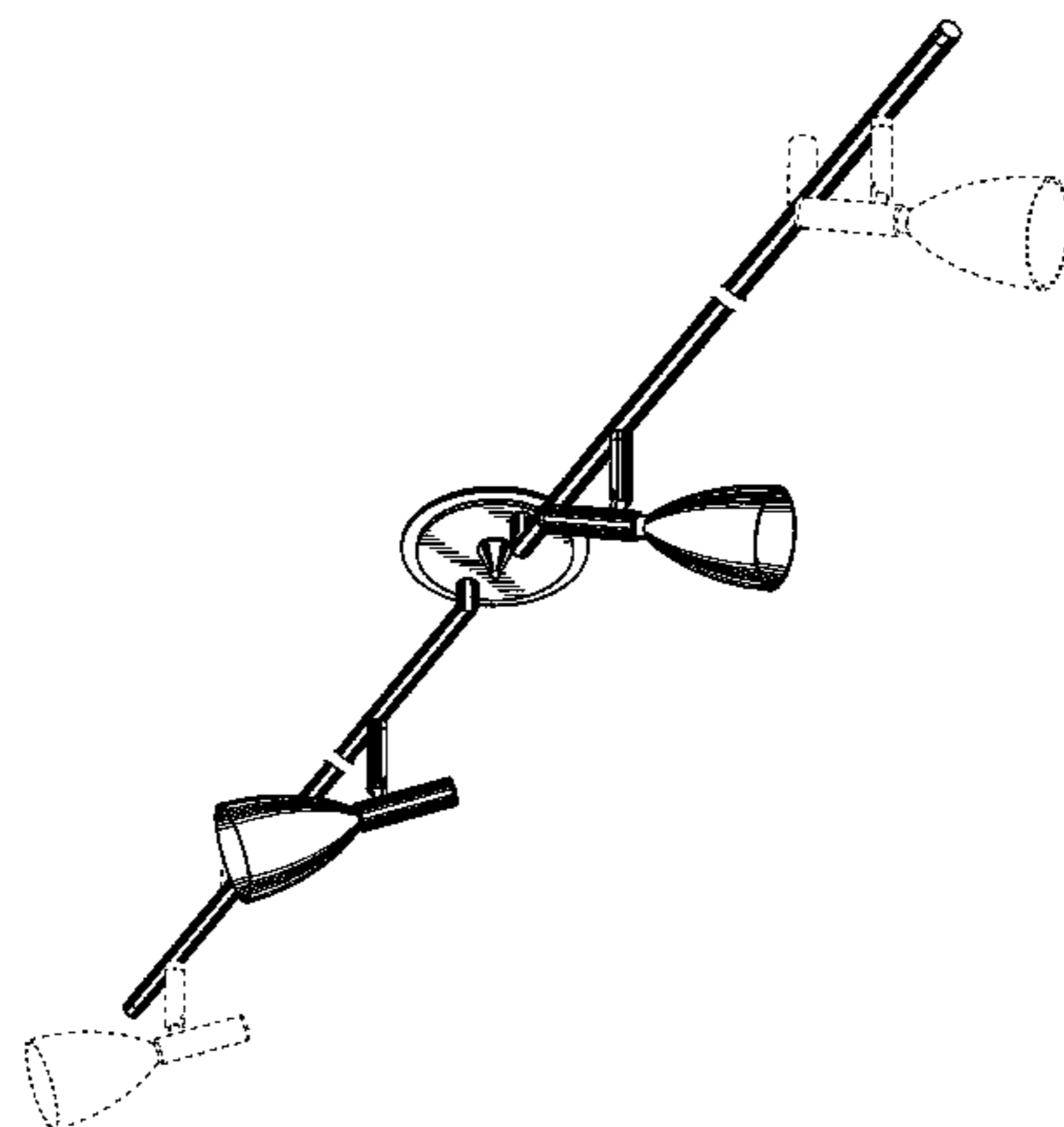
FIG. 7 is an opposite side elevation view of the light fixture in accordance with my design, illustrating adjustable positions; and,

FIG. 8 is a bottom perspective view of the light fixture in accordance with my design, illustrating multiple adjustable positions of various portions of the light fixture.

The broken lines showing environmental structure are for illustrative purposes only and form no part of the claimed design.

The light fixture of FIGS. 1 and 4–8 is shown broken away to indicate that no specific length is claimed.

1 Claim, 4 Drawing Sheets



US D611,636 S

Page 2

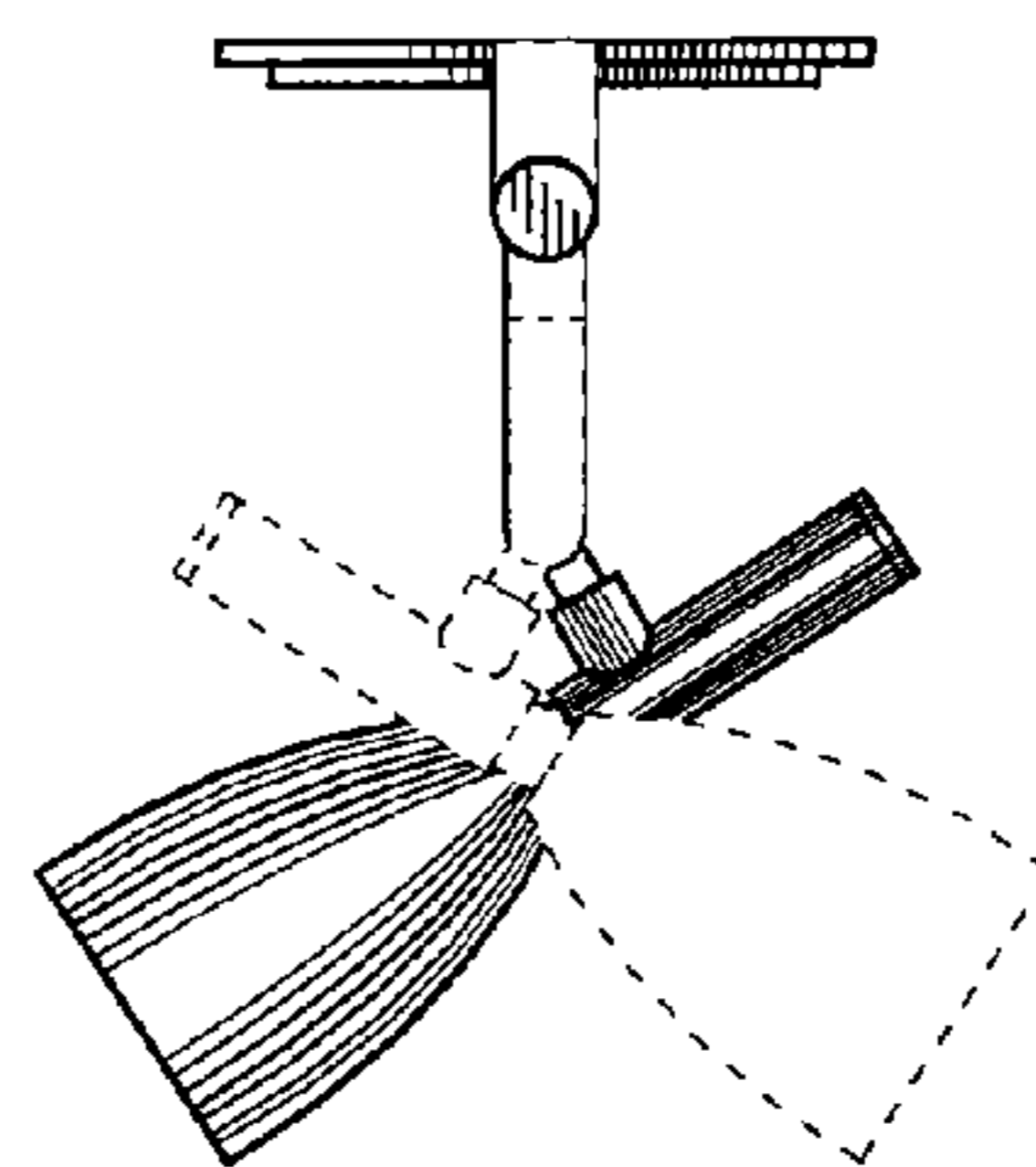
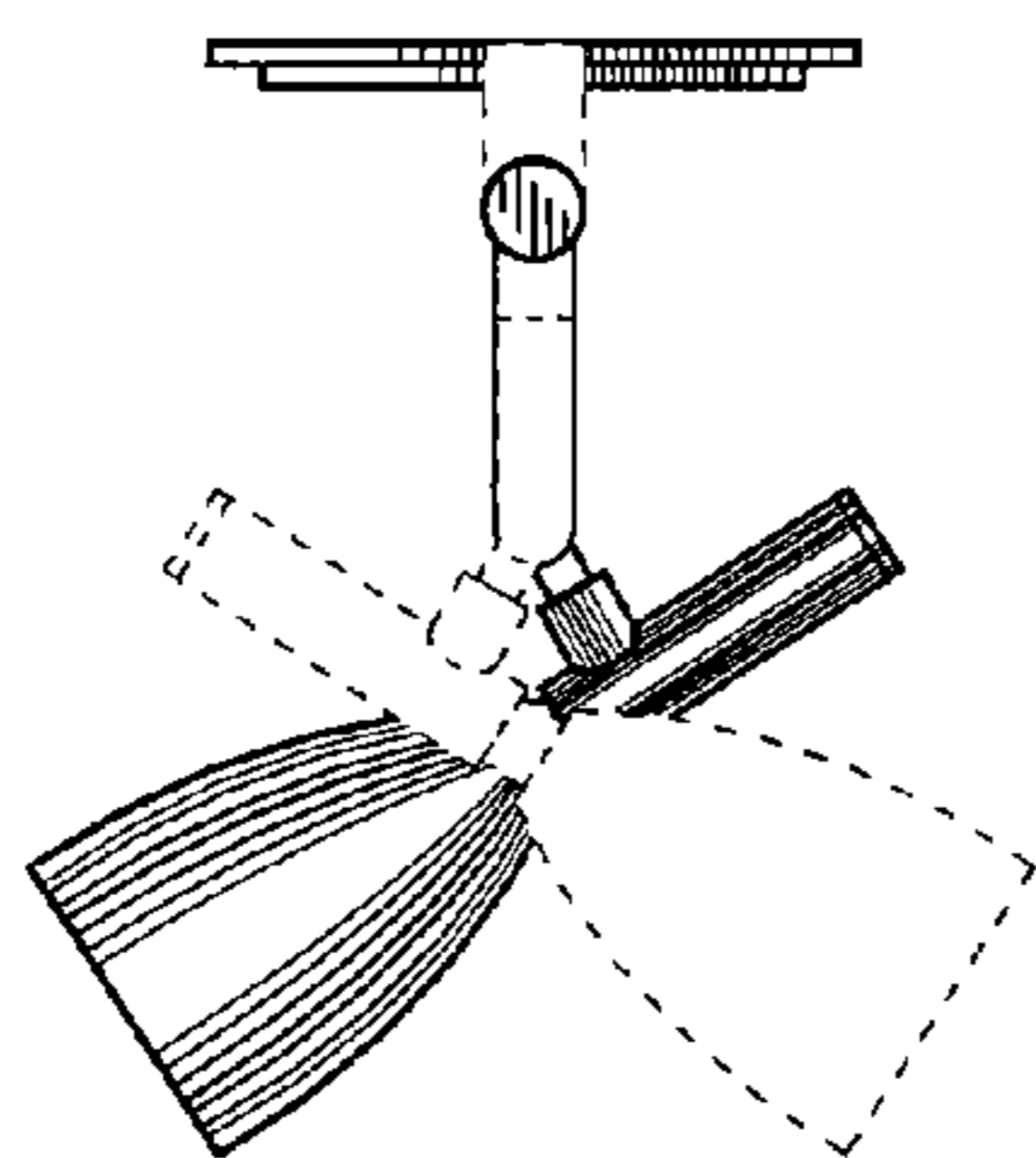
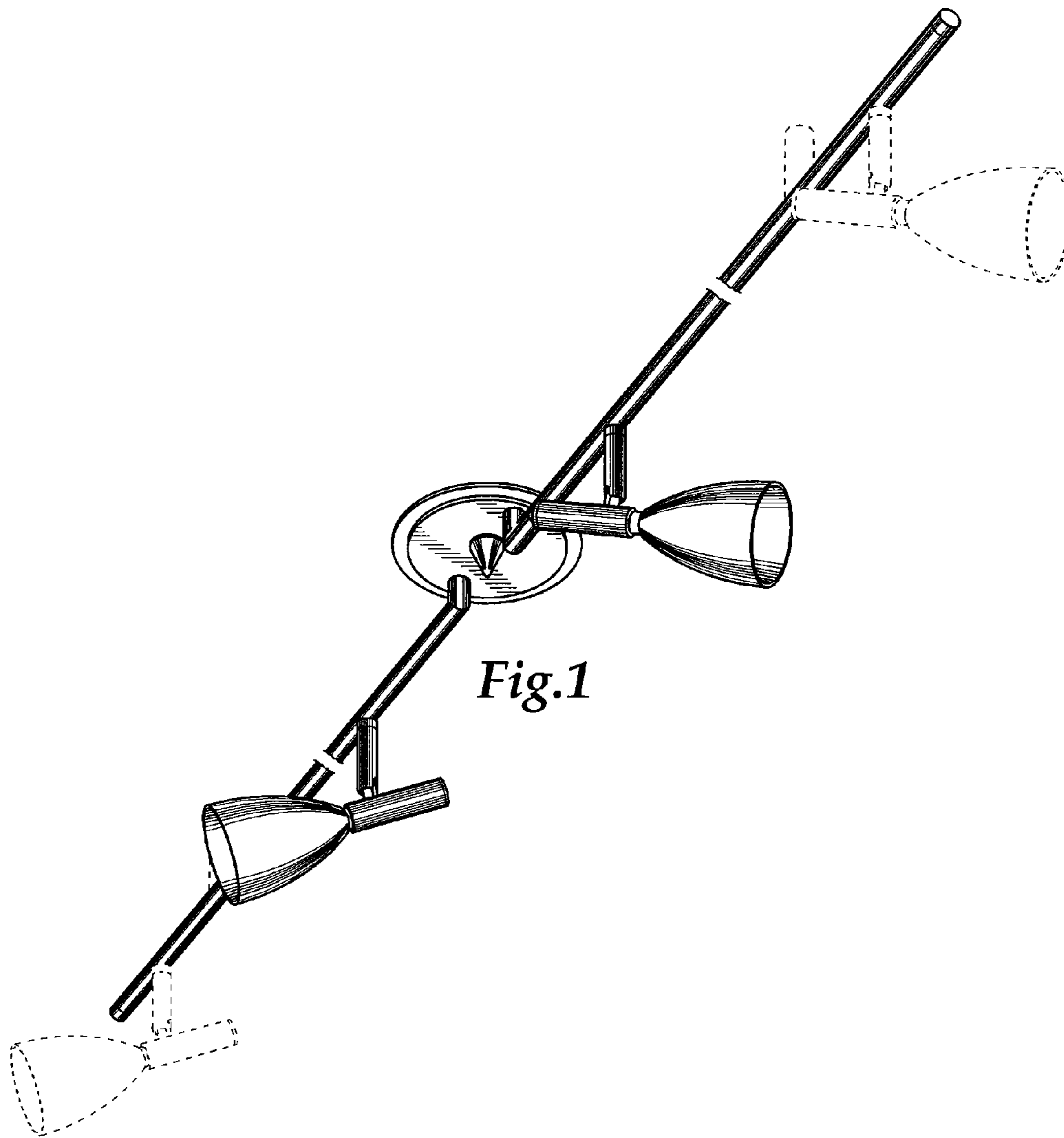
U.S. PATENT DOCUMENTS

D205,463 S * 8/1966 Zelenko D26/62
D217,063 S 3/1970 Dalto et al.
D261,180 S 10/1981 Lagin
6,135,615 A 10/2000 Lee
D542,456 S 5/2007 Swanson
7,210,811 B1 5/2007 Swanson
D568,518 S * 5/2008 Schmidt D26/63
D589,188 S * 3/2009 Sabernig D26/62
D596,334 S * 7/2009 Sabernig D26/88
2002/0067613 A1* 6/2002 Grove 362/267
2005/0207173 A1 9/2005 Benghozi et al.

OTHER PUBLICATIONS

Holtkoetter; Antique Brass Round Three Light Spotlight; Model No. 10451; printed from www.lampsplus.com on Feb. 4, 2008.
New Mirage; Three-Light Ceiling Mount; Model No. 52221; printed from www.modernlightinguniverse.com on Mar. 19, 2008.
Pro Track®; 150 Watt Three Light Halogen Ceiling Fixture; Model No. 67878; printed from www.lampsplus.com on Feb. 4, 2008.
Three Light Spot Floor Lamp; Model No. 56445; printed from www.lampsplus.com on Mar. 11, 2008.
Light Source; Turtle Halogen Floor Lamp Polished Steel; Model No. LS-8615PS; printed from www.lampsusa.com on Mar. 11, 2008.

* cited by examiner



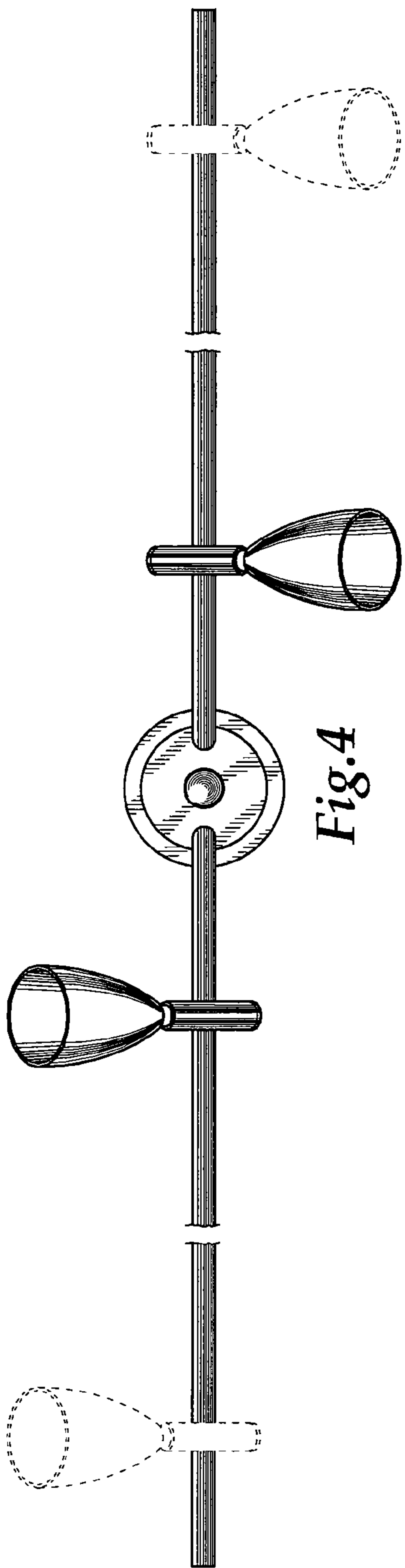


Fig. 4

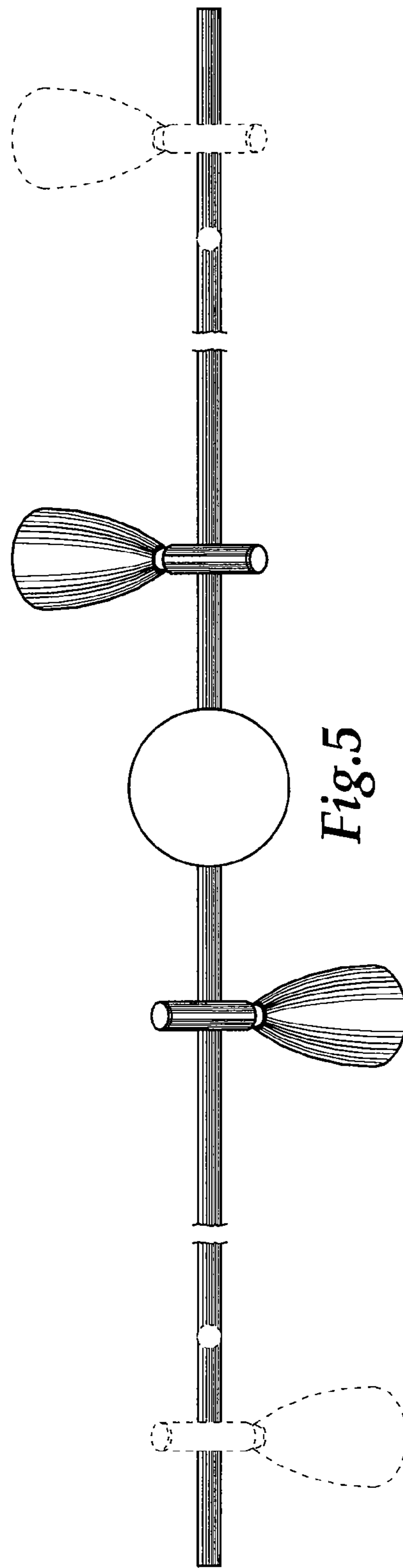
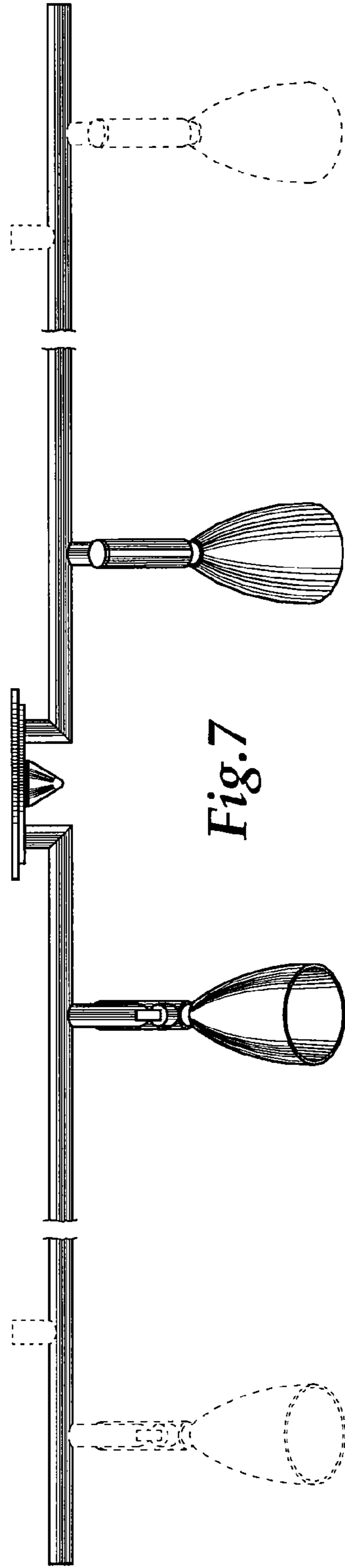
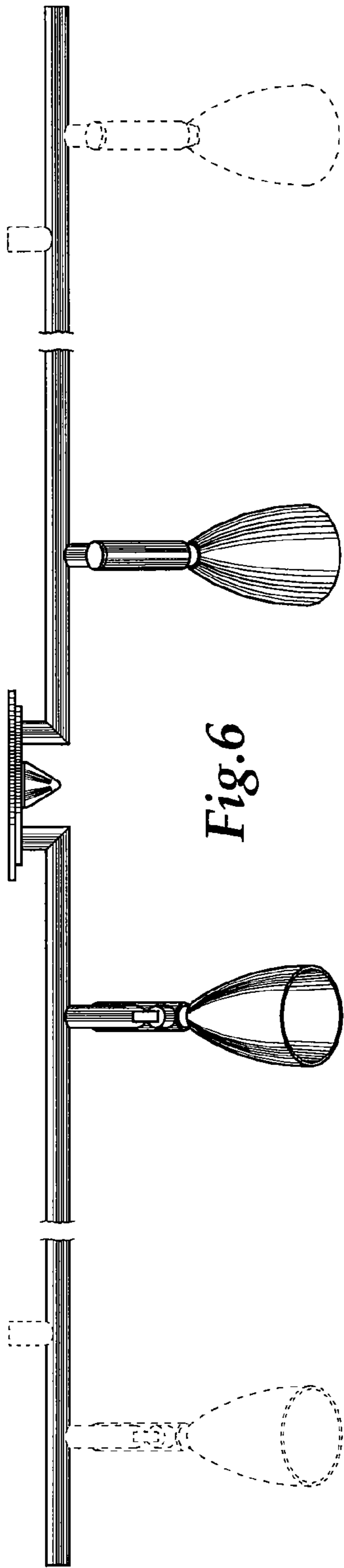


Fig. 5



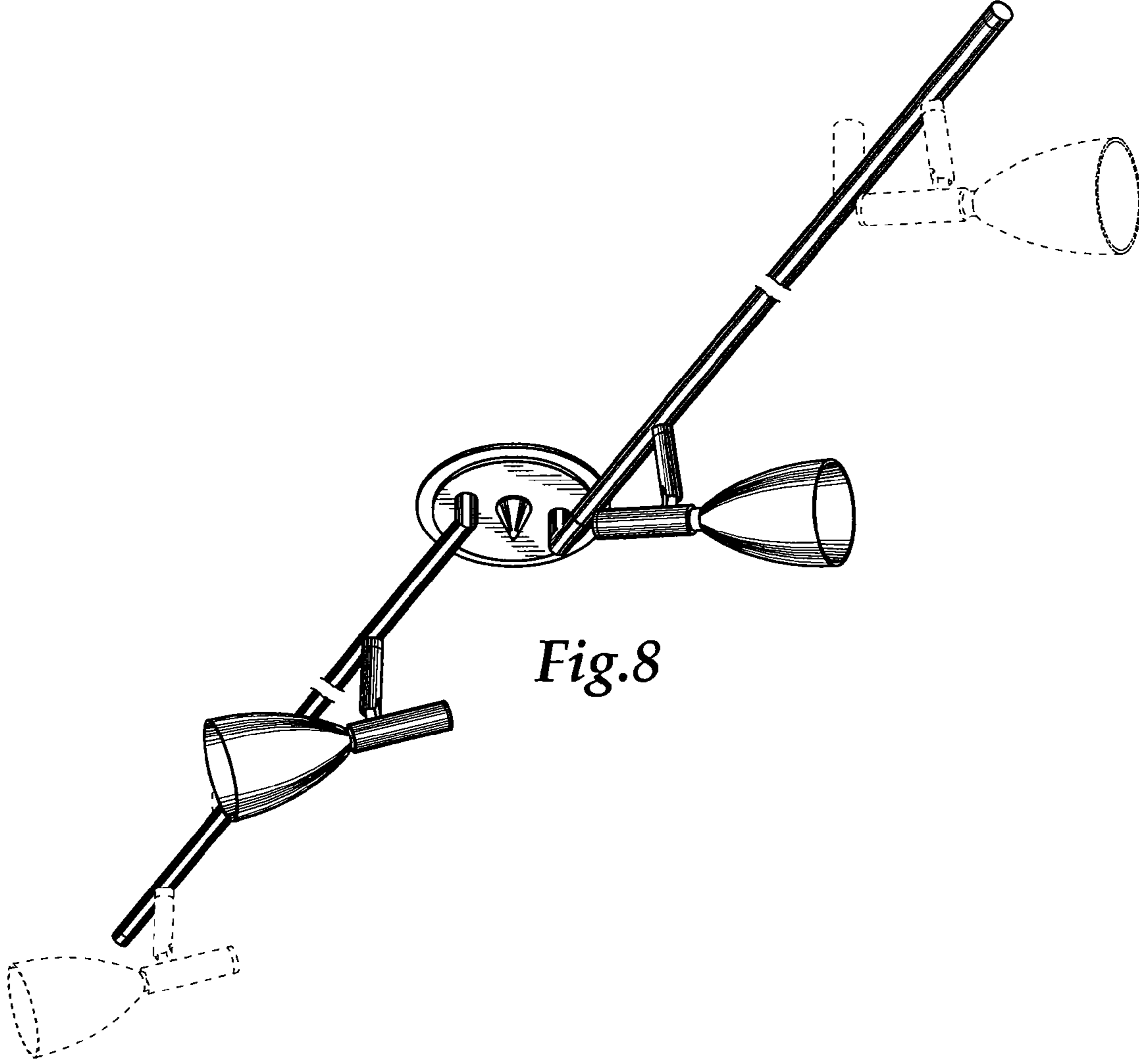


Fig. 8