



US00D611635S

(12) **United States Design Patent**
Gordin

(10) **Patent No.:** **US D611,635 S**
(45) **Date of Patent:** **** Mar. 9, 2010**

(54) **ELECTRICAL FIXTURE**

(75) Inventor: **Myron Gordin**, Oskaloosa, IA (US)

(73) Assignee: **Musco Corporation**, Oskaloosa, IA (US)

(**) Term: **14 Years**

(21) Appl. No.: **29/324,570**

(22) Filed: **Sep. 15, 2008**

(51) **LOC (9) Cl.** **26-05**

(52) **U.S. Cl.** **D26/63**

(58) **Field of Classification Search** D26/60,
D26/61, 62, 63, 64, 65, 66, 72, 81, 88, 89,
D26/90, 91, 154, 24, 44, 77, 119, 121, 152,
D26/75, 85; 362/145, 147, 148, 150, 218,
362/220, 223, 648, 227, 238, 239, 249, 250,
362/372, 418, 430, 269, 270, 271, 272, 273,
362/274, 277, 278, 282, 283, 285, 287, 288,
362/290, 309, 427

See application file for complete search history.

(56) **References Cited**

U.S. PATENT DOCUMENTS

D163,969 S *	7/1951	Schoenbrod	D26/77
D297,769 S *	9/1988	Mann	D26/29
D300,864 S *	4/1989	Titmarsh	D26/24
D316,306 S *	4/1991	Shemitz	D26/85
D322,135 S *	12/1991	Wierzbicki et al.	D26/24
D345,226 S *	3/1994	Tsao	D26/63
D353,474 S *	12/1994	Shyan	D26/63
D407,836 S *	4/1999	Leen	D26/63
D494,697 S *	8/2004	Leen	D26/63
D500,884 S *	1/2005	O'Rourke	D26/138
D566,318 S *	4/2008	Quiogue et al.	D26/63

D574,102 S *	7/2008	Quiogue et al.	D26/63
D577,141 S *	9/2008	Monroe	D26/61

OTHER PUBLICATIONS

File History for U.S. Appl. No. 29/324,569 (Notice of Allowance for U.S. Appl. No. 29/324,569 at pp. 2 to 8 of Exhibit 1).
File History for U.S. Appl. No. 29/327,919 (Office Action for U.S. Appl. No. 29/327,919, at pp. 2 to 9 of Exhibit 2; and U.S. Appl. No. 29/327,919, at pp. 19 to 29 of Exhibit 2).

* cited by examiner

Primary Examiner—Jennifer Rivard

Assistant Examiner—Angela J Lee

(74) *Attorney, Agent, or Firm*—Faegre & Benson, LLP

(57) **CLAIM**

The ornamental design for electrical fixture, as shown and described.

DESCRIPTION

FIG. 1 is a side and front perspective view.

FIG. 2 is an opposite side and front perspective view.

FIG. 3 is a side and back perspective view.

FIG. 4 is a side, back, and bottom perspective view.

FIG. 5 is a front view.

FIG. 6 is a side view.

FIG. 7 is an opposite side view.

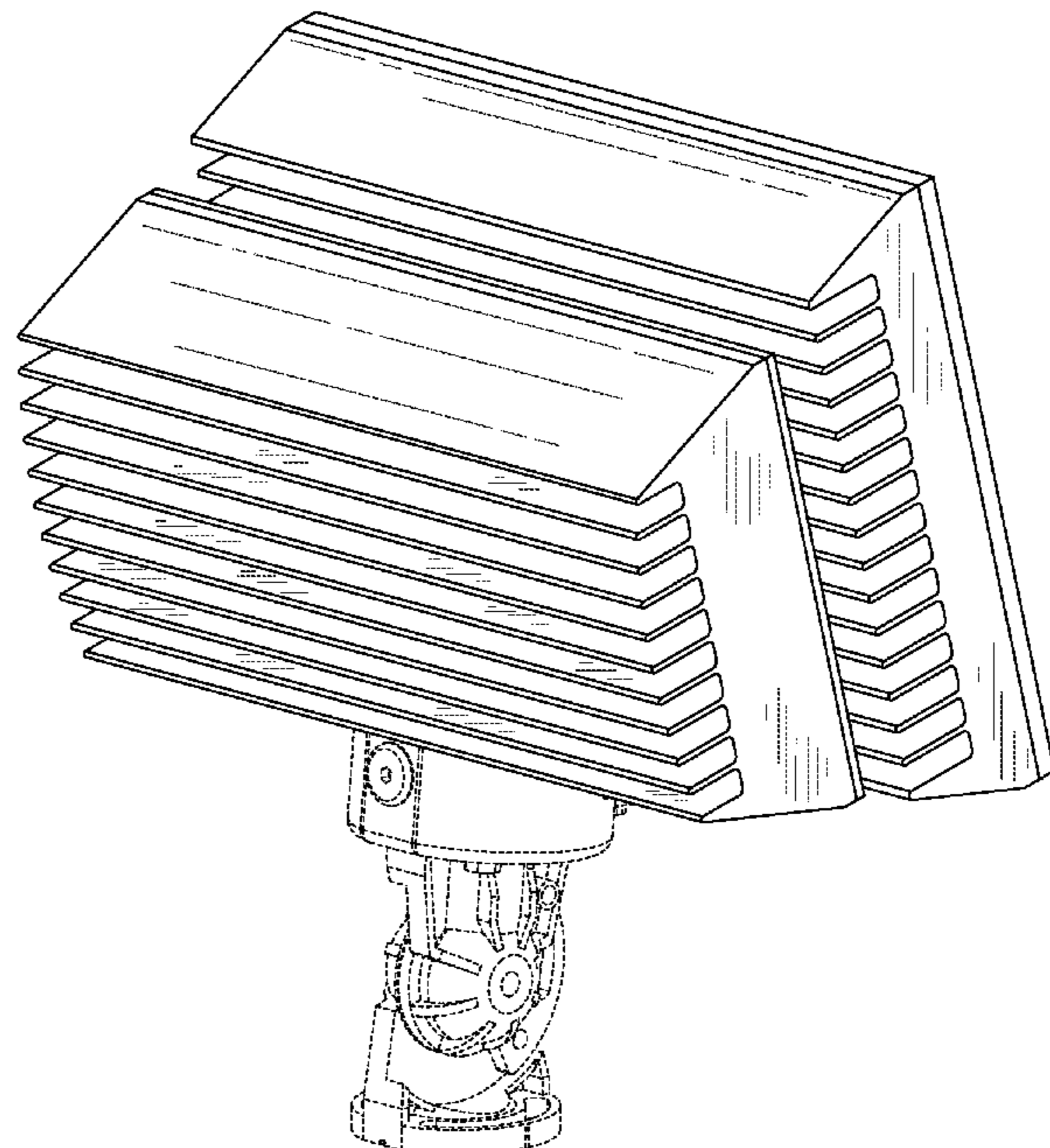
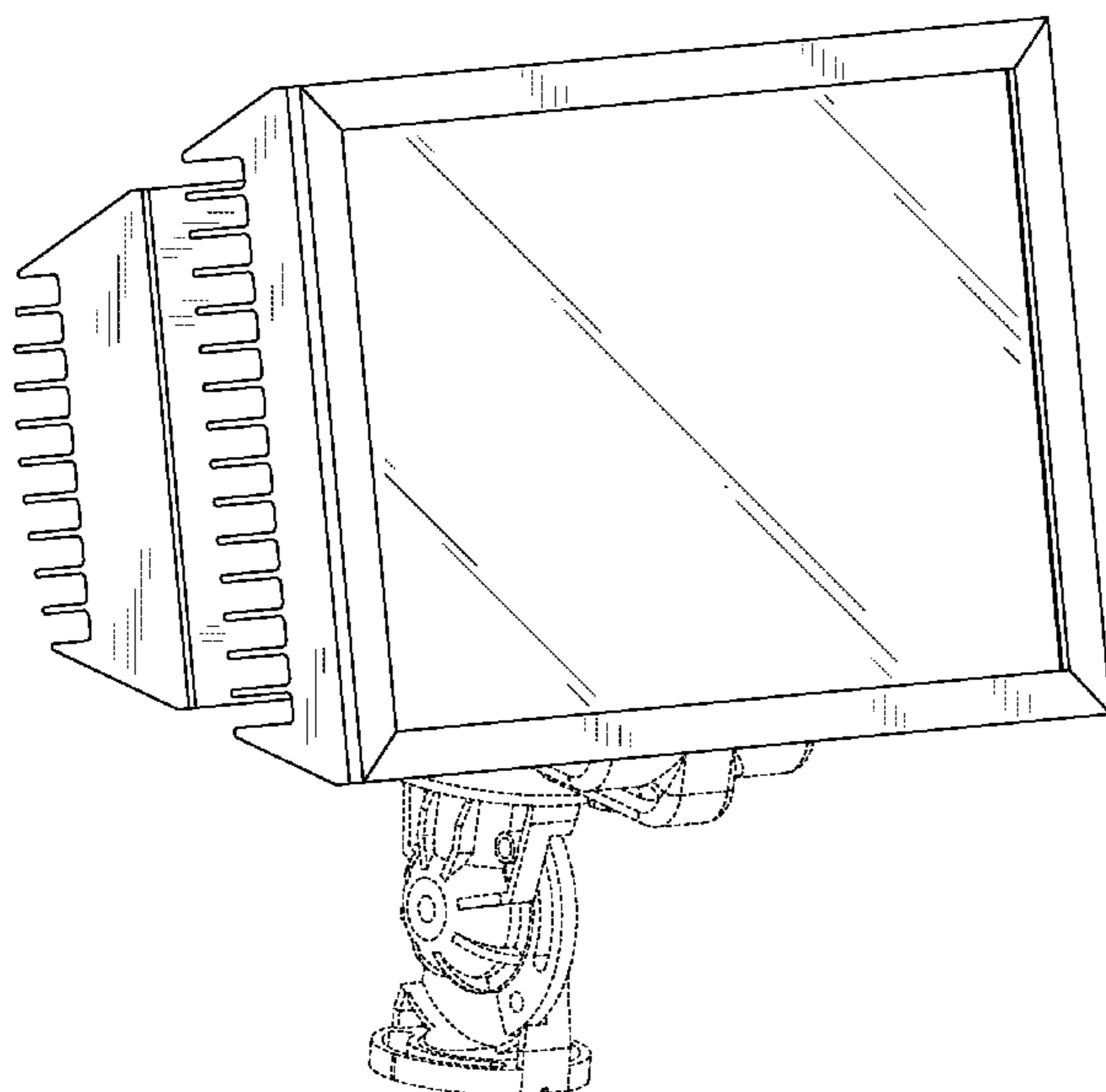
FIG. 8 is a back view.

FIG. 9 is a bottom view; and,

FIG. 10 is a top view.

The portions of the electrical fixture shown in broken lines form no part of the claimed design.

1 Claim, 10 Drawing Sheets



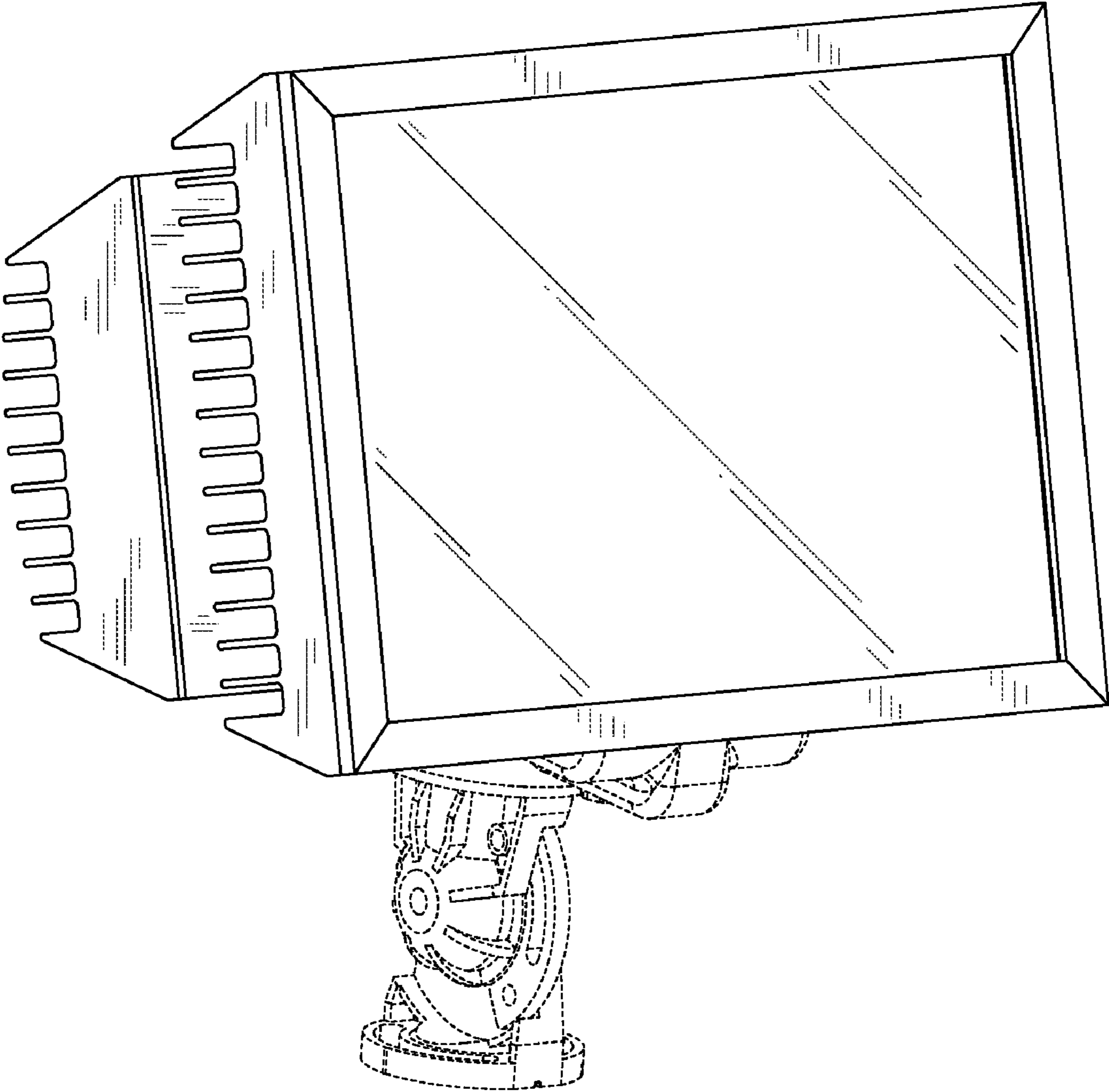


FIG. 1

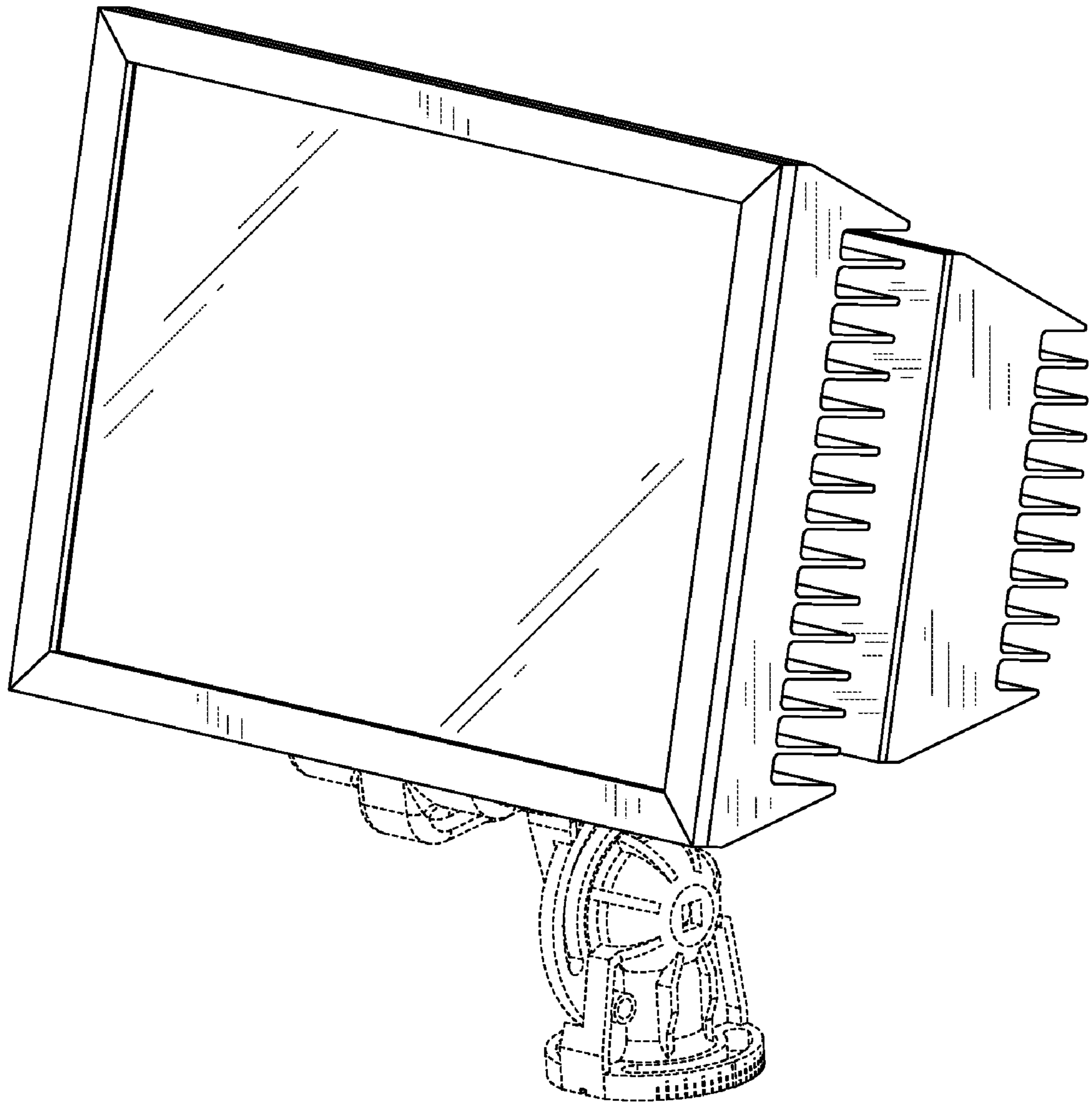


FIG.2

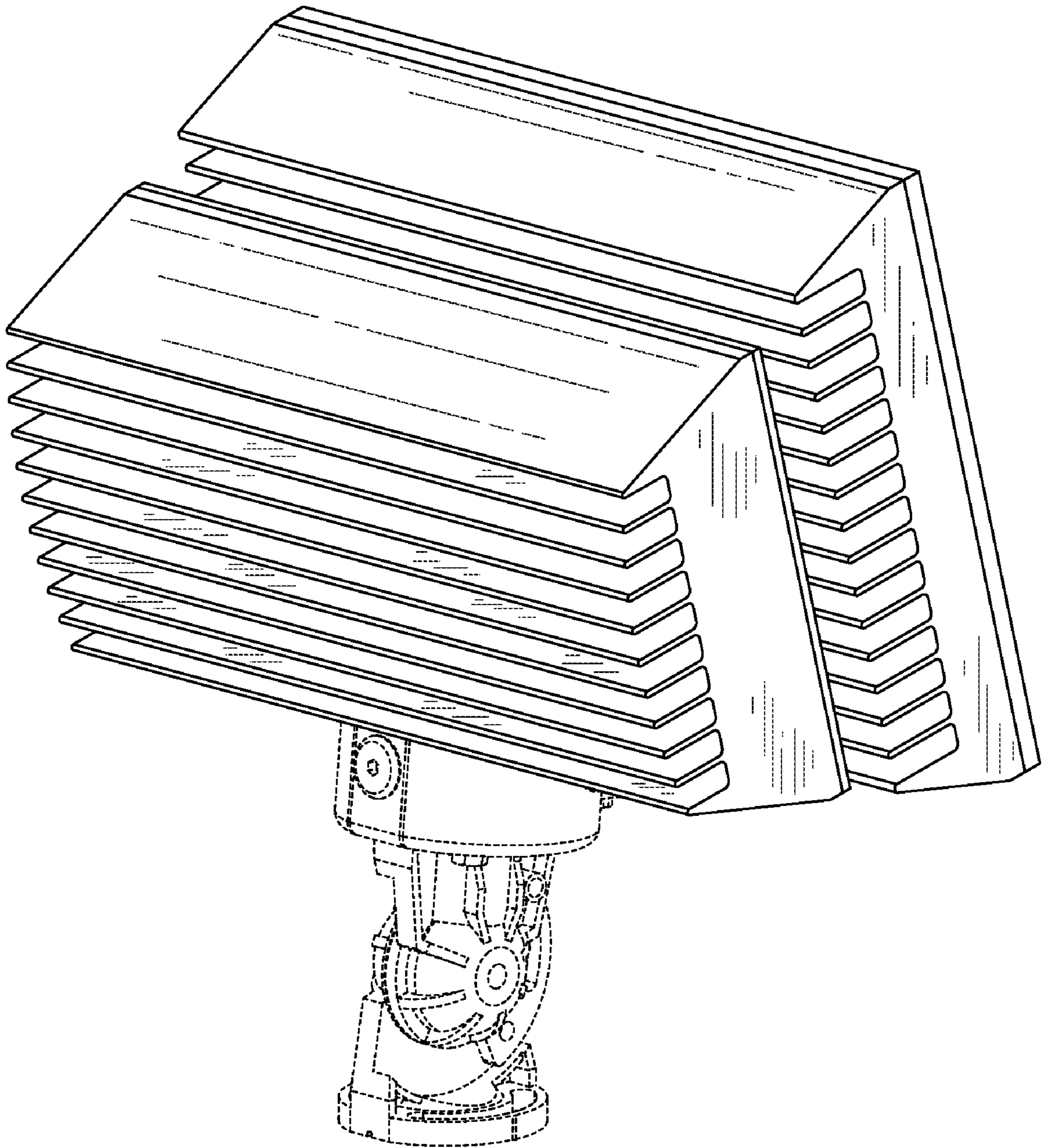


FIG.3

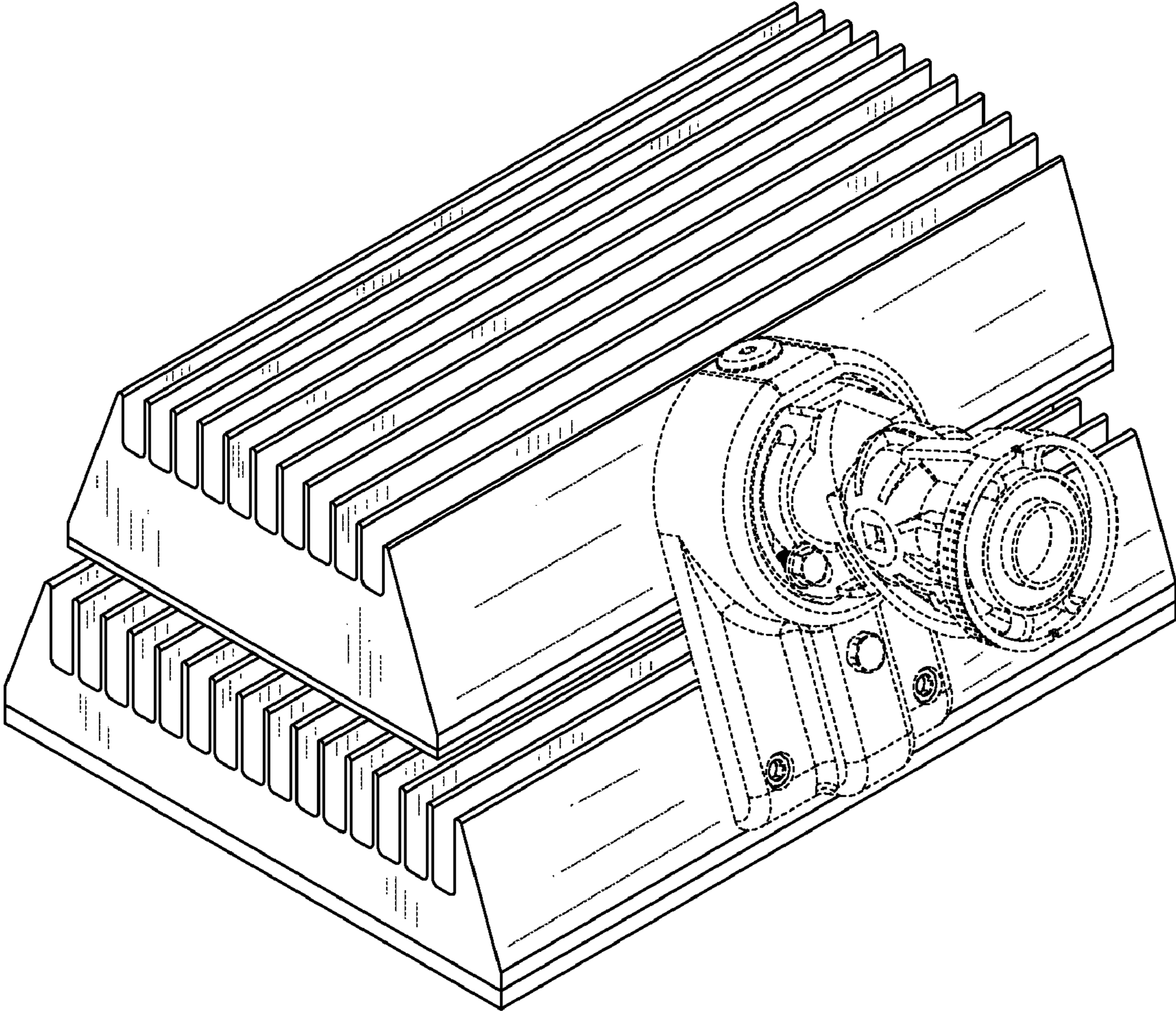


FIG.4

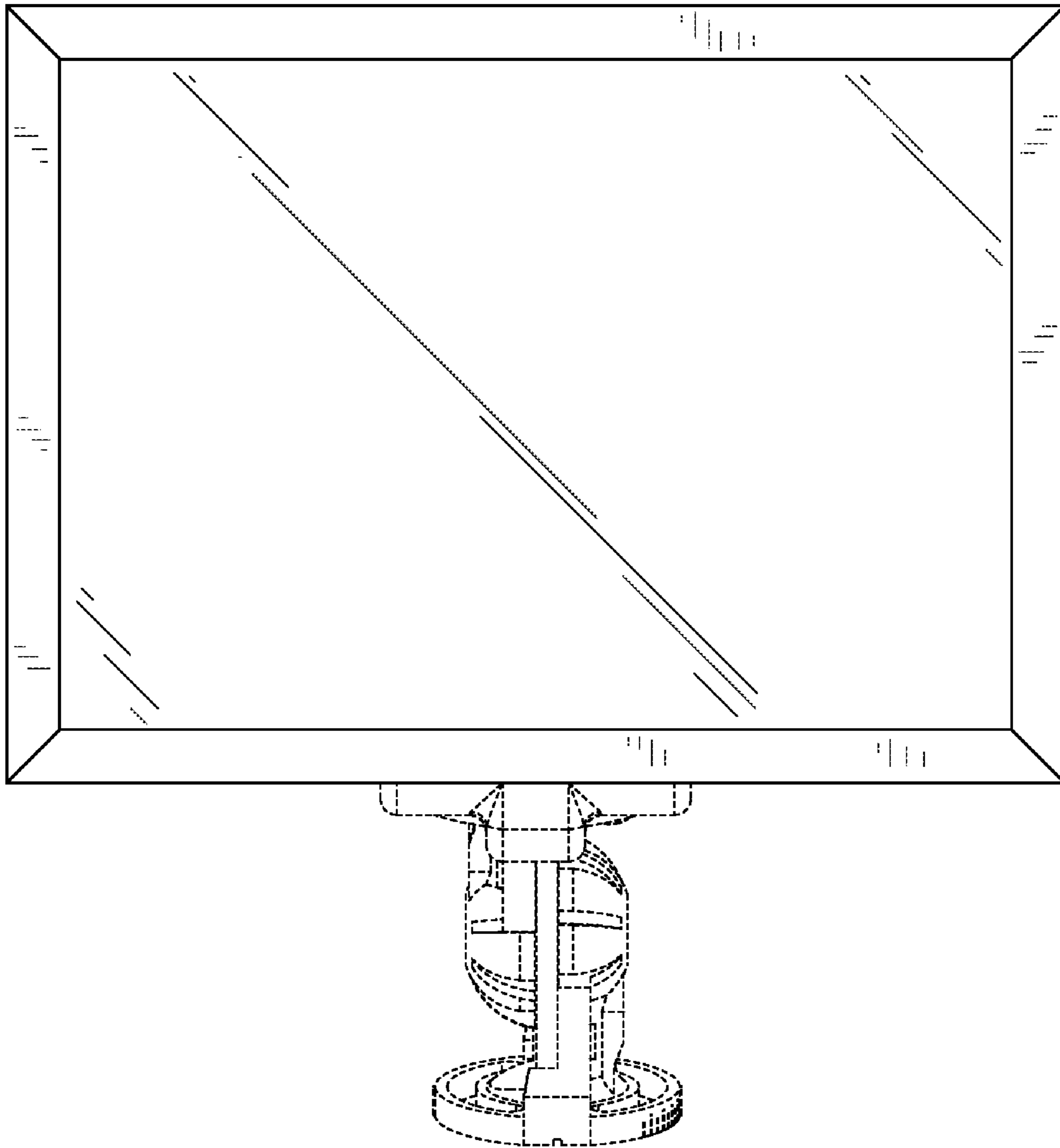


FIG. 5

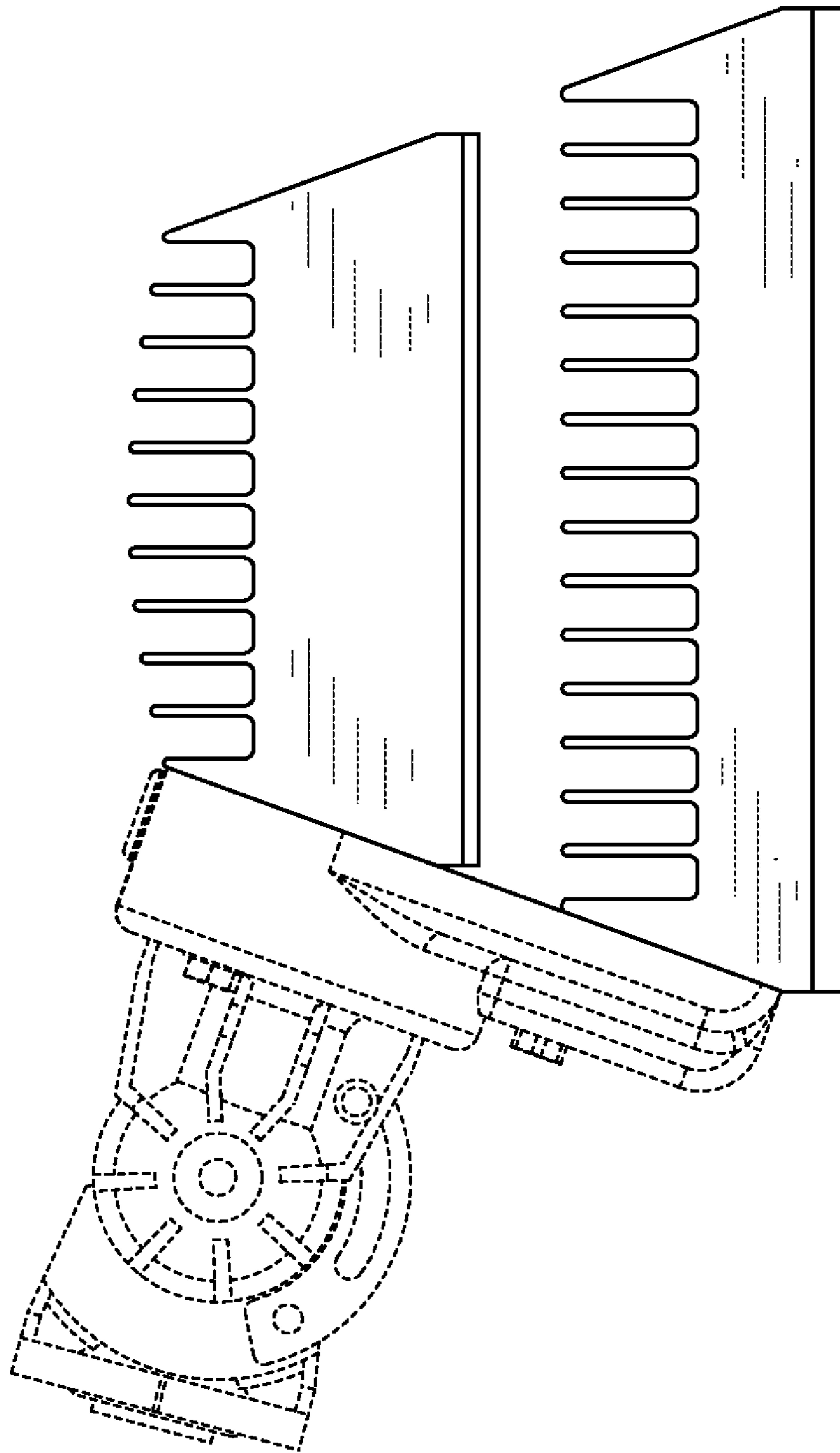


FIG. 6

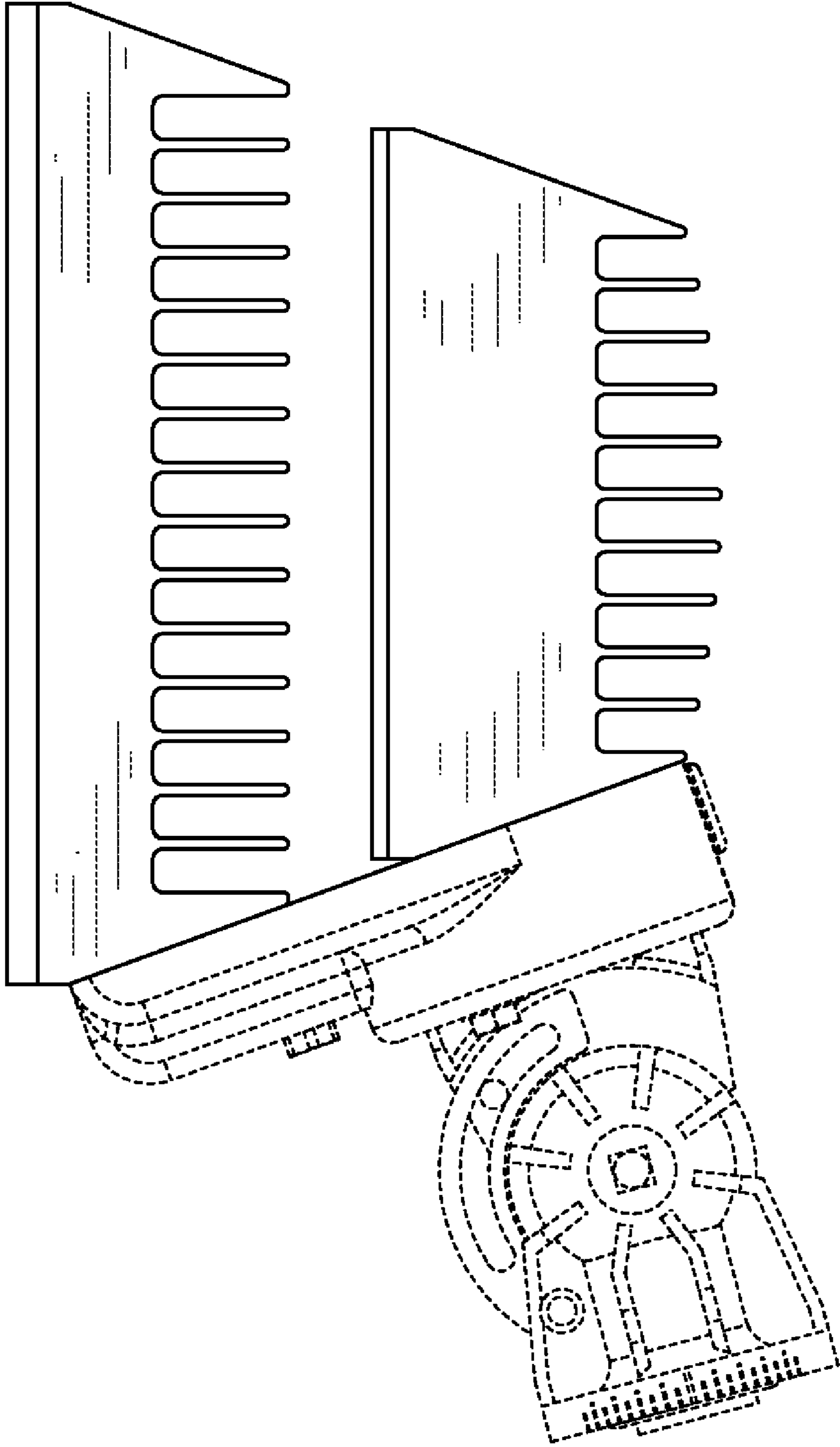


FIG. 7

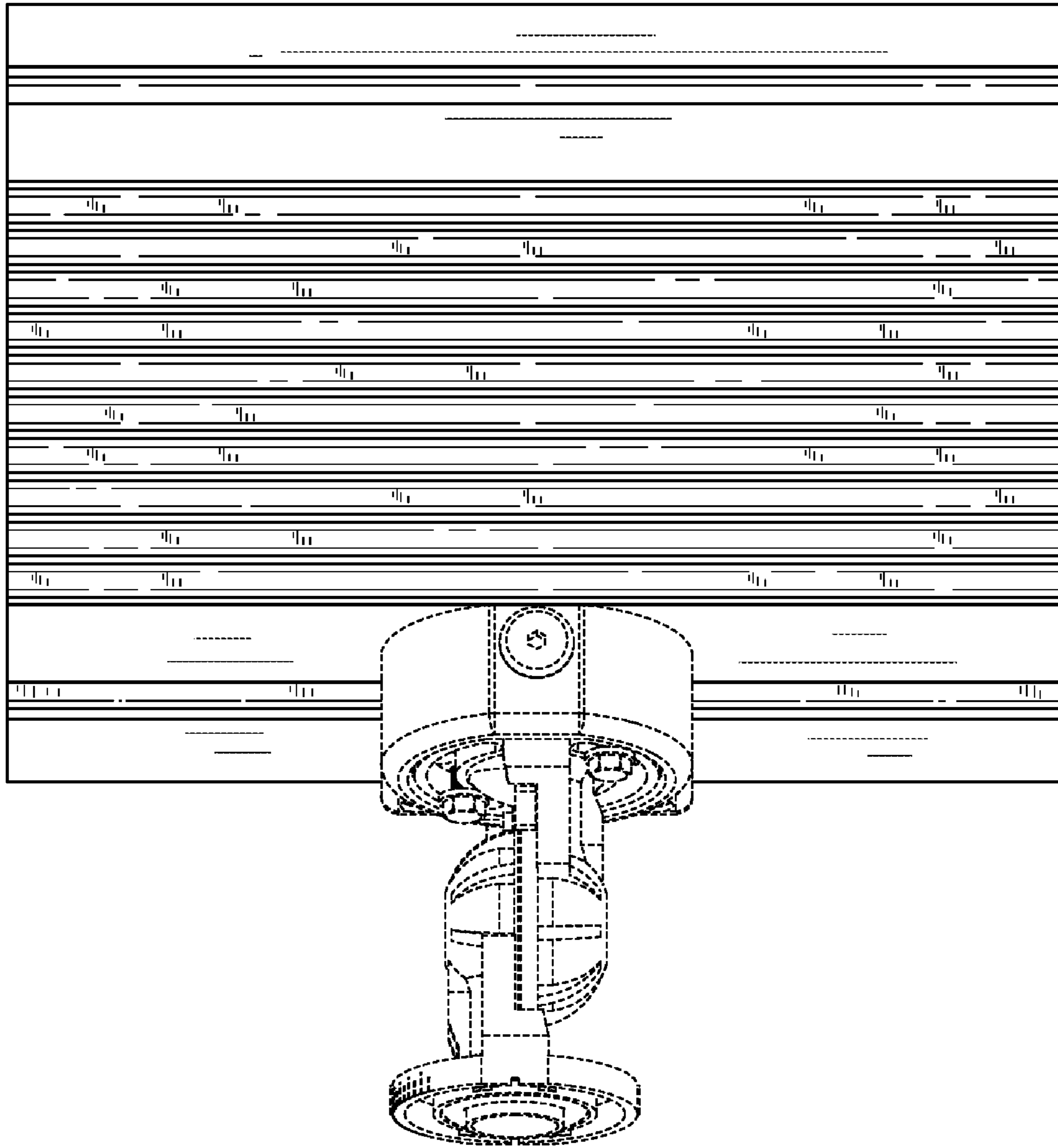


FIG. 8

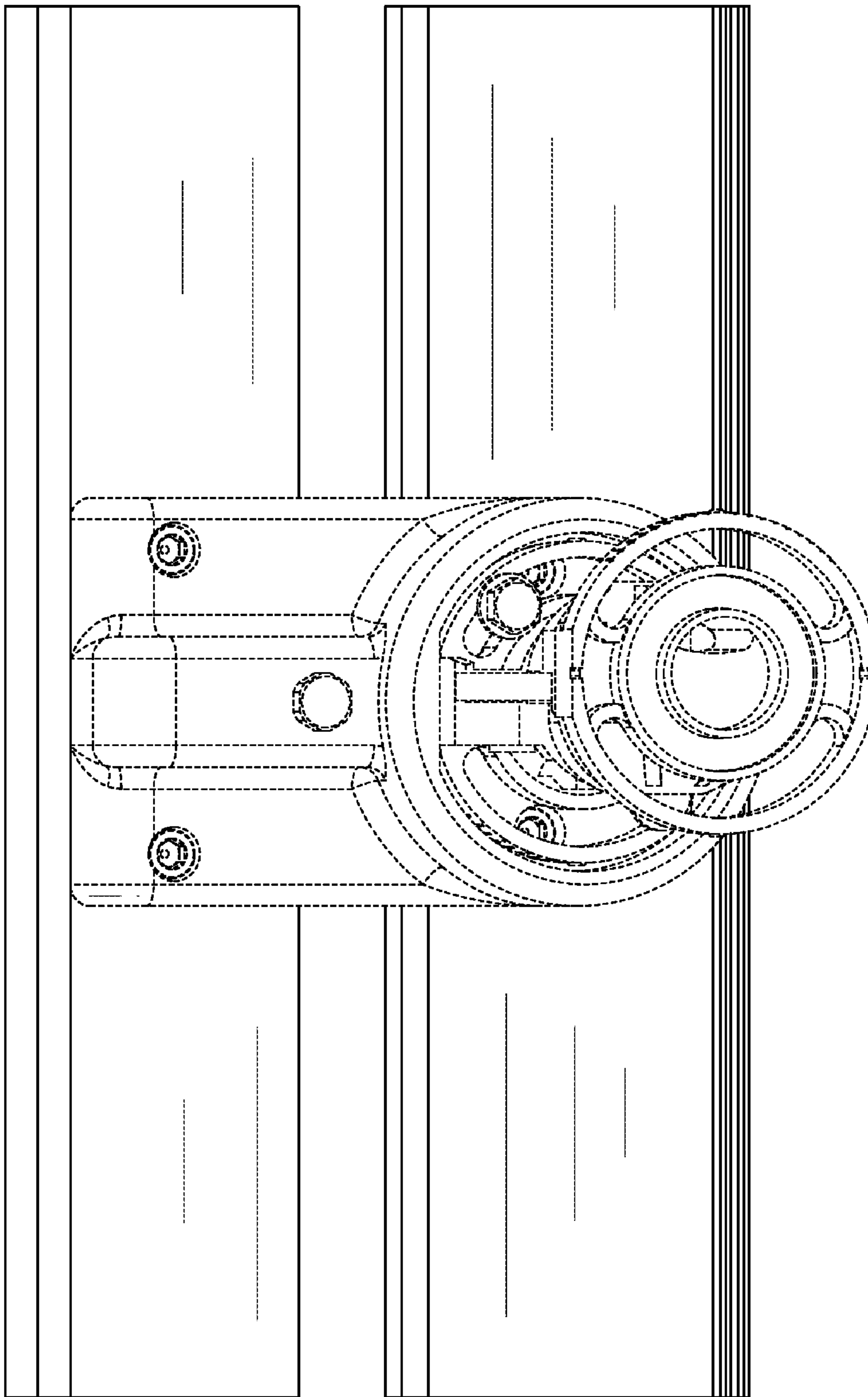


FIG. 9

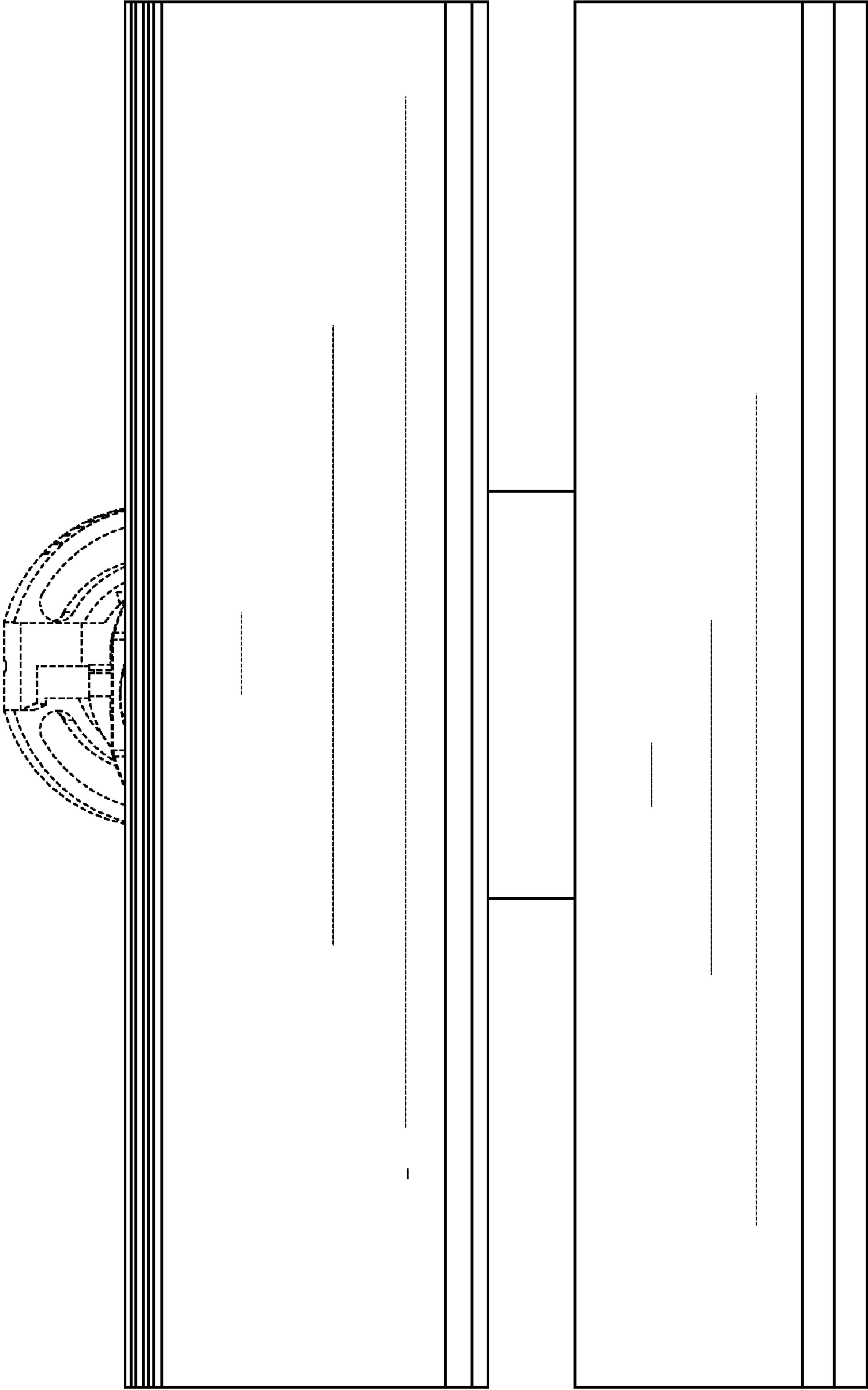


FIG. 10