



US00D611634S

(12) **United States Design Patent**
Newhouse

(10) **Patent No.:** **US D611,634 S**
(45) **Date of Patent:** **** Mar. 9, 2010**

(54) **LIGHT**

(75) Inventor: **Thomas J. Newhouse**, Grand Rapids, MI (US)

(73) Assignee: **Herman Miller, Inc.**, Zeeland, MI (US)

(**) Term: **14 Years**

(21) Appl. No.: **29/340,938**

(22) Filed: **Jul. 28, 2009**

(51) **LOC (9) Cl.** **26-03**

(52) **U.S. Cl.** **D26/61**

(58) **Field of Classification Search** D26/37,
D26/39, 60–63, 93; 362/98–99, 107–109,
362/116, 191, 197, 198, 155–156, 414, 473–474
See application file for complete search history.

(56) **References Cited**

U.S. PATENT DOCUMENTS

D262,407 S *	12/1981	Ball	D26/93
D473,676 S *	4/2003	Barber	D26/93
6,758,585 B1 *	7/2004	Chan	362/414
D522,157 S *	5/2006	Schnell	D26/60
D522,679 S *	6/2006	Hodgson	D26/60
D525,381 S *	7/2006	Hodgson	D26/60
D566,317 S *	4/2008	Meda et al.	D26/107
D579,597 S *	10/2008	Ng	D26/61
D590,534 S *	4/2009	Levine	D26/62

OTHER PUBLICATIONS

Kast™ Task Light, Details—Lighting [online] [retrieved from Internet: URL http://www.details-worktools.com/product_details.php?pid=679], [retrieved on Sep. 23, 2009], 1 page.

Wästerberg, James Irvine, Irvine w082 [online] [retrieved from Internet: URL <http://www.wastberg.com/>] [retrieved on Sep. 23, 2009], 1 page.

Wästerberg, Jean-Marie Massaud, Massaud w083 [online] [retrieved from Internet: URL <http://www.wastberg.com/>] [retrieved on Sep. 23, 2009], 1 page.

Terea | Luxo, Ryann Aoukar, [online] [retrieved from Internet: URL <http://www.luxous.com/product/terea-475.aspx>] [retrieved on Sep. 23, 2009], 1 page.

Air | Luxo, Jukka Setälä, [online] [retrieved from Internet: URL <http://www.luxous.com/product/terea-249.aspx>] [retrieved on Sep. 23, 2009], 1 page.

Ninety| Luxo, Shawn Littrell, [online] [retrieved from Internet: URL <http://www.luxous.com/product/terea-236.aspx>] [retrieved on Sep. 23, 2009], 2 pages.

Personal Lighting System by Finelite brochure, Finelite, Union City, CA 2007 ©, dated Jul. 7, 16 pages.

Artemide Product Data Sheet, Itis Naoto Fukasawa, [online] [retrieved from Internet: URL <http://artemide.com/>] [retrieved Sep. 23, 2009], 2 pages.

(Continued)

Primary Examiner—Brian N Vinson

(74) *Attorney, Agent, or Firm*—Brinks Hofer Gilson & Lione

(57) **CLAIM**

The ornamental design for a lamp, as shown and described.

DESCRIPTION

FIG. 1 is a top, front, and left side perspective view of a light showing my new design;

FIG. 2 is a front elevational view thereof;

FIG. 3 is a rear elevational view thereof;

FIG. 4 is a right side elevational view thereof;

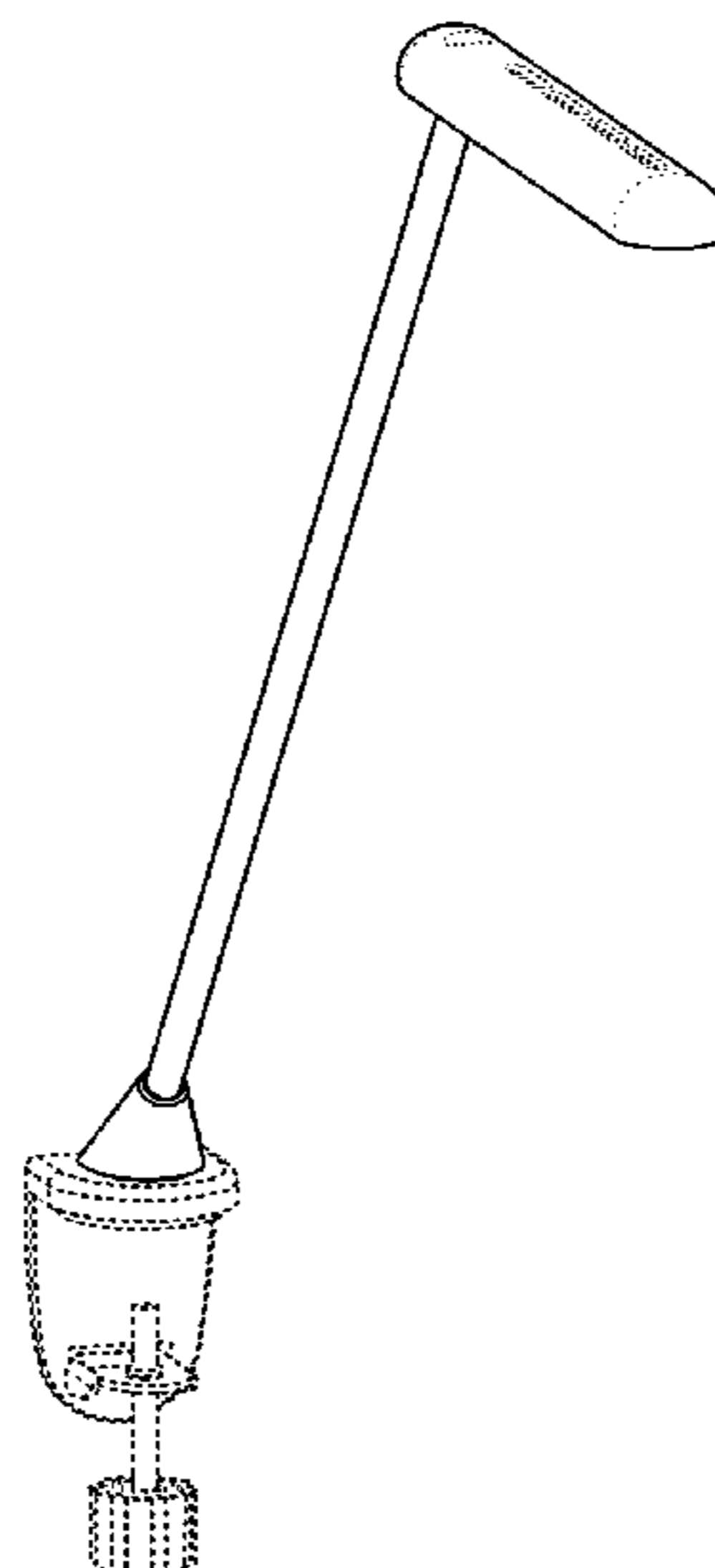
FIG. 5 is a left side elevational view thereof;

FIG. 6 is a top plan view thereof; and,

FIG. 7 is a bottom plan view thereof.

The broken-line disclosure in the views is understood to represent portions of the article in which the claimed design is embodied, but which forms no part of the claimed design.

1 Claim, 3 Drawing Sheets



OTHER PUBLICATIONS

Artemide Product Data Sheet, Sui, Carlotta de Bevilacqua, [online] [retrieved from Internet: URL <http://artemide.com/>] [retrieved Sep. 23, 2009], 2 pages.

Koncept Technologies Inc., Icelight™ LED Desk Lamp, © 2002-2009 [online] [retrieved from Internet: URL <http://www.konceptech.com/icelighthighpower.html>] [retrieved Sep. 23, 2009], 1 page.

Koncept Technologies Inc., i-BAR™ LED Desk Lamp, © 2002-2009 [online] [retrieved from Internet: URL <http://www.konceptech.com/ibar.html>] [retrieved Sep. 23, 2009], 2 pages.

Haworth© LIM™ brochure, © Jun. 9, 2009 [online] [retrieved from Internet: URL <http://www.haworth.com/haworth-europe.com/haworth-asia.com>], date unknown, 2 pages.

Haworth© BRAZO Light Glowing, [online] [retrieved from Internet: URL <http://www.haworth.com>] [retrieved Sep. 23, 2009], 3 pages.

U.S. Appl. No. 29/283,937, filed Aug. 28, 2007, for Office Tasklight, inventor Thomas J. Newhouse, with an Official Filing Receipt mailed Sep. 4, 2007, 12 pages.

* cited by examiner

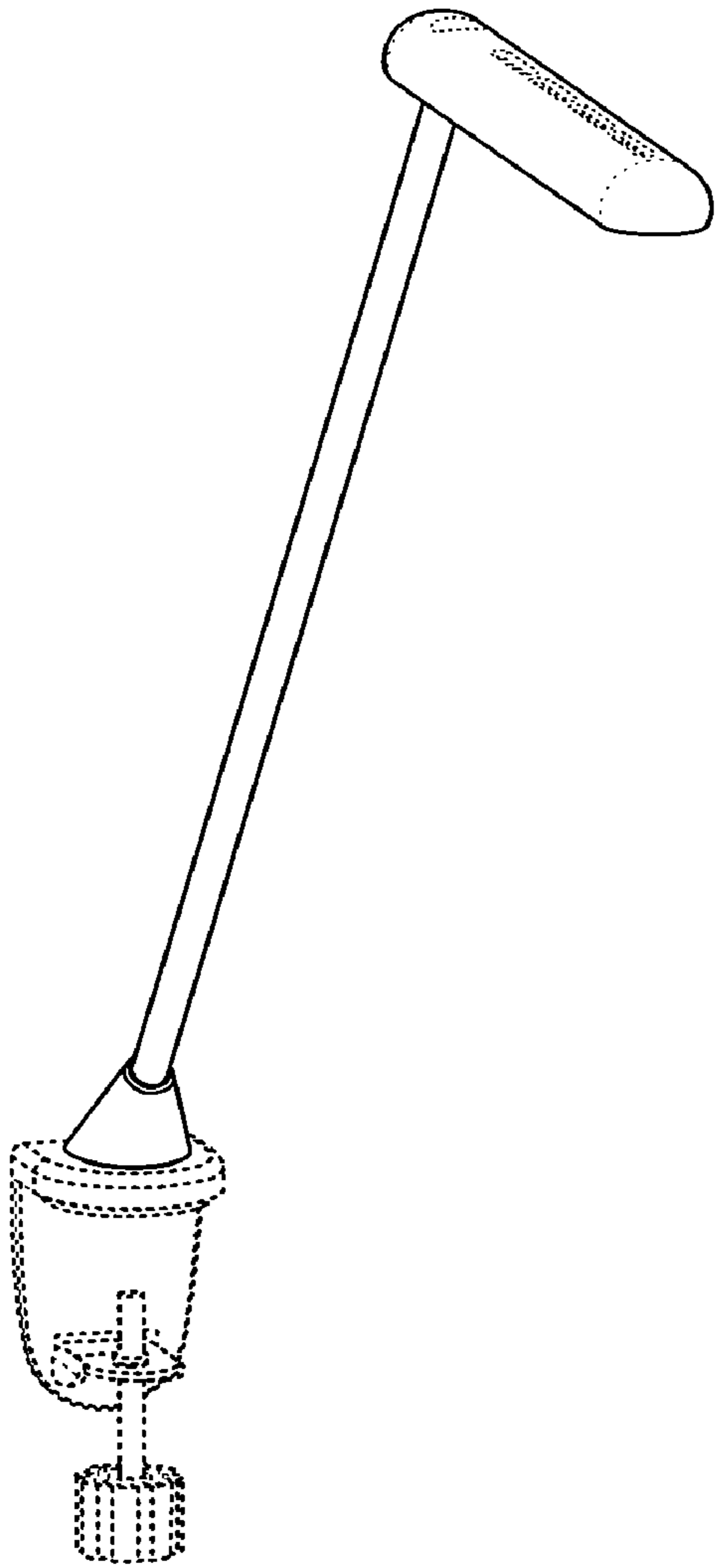


Fig. 1

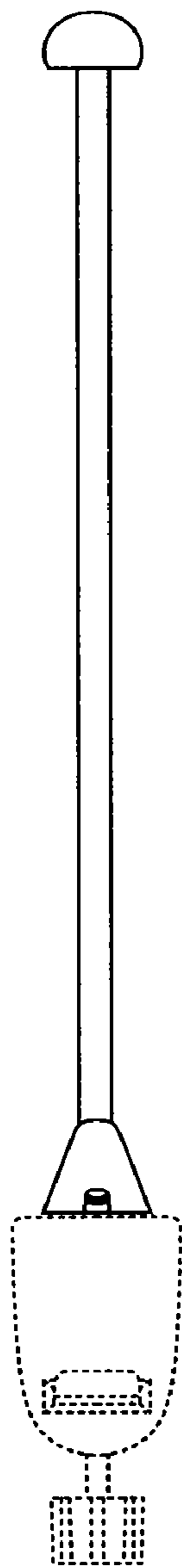


Fig. 2

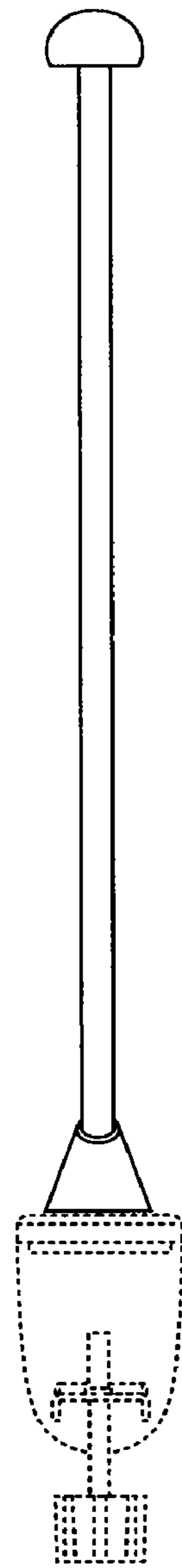


Fig. 3

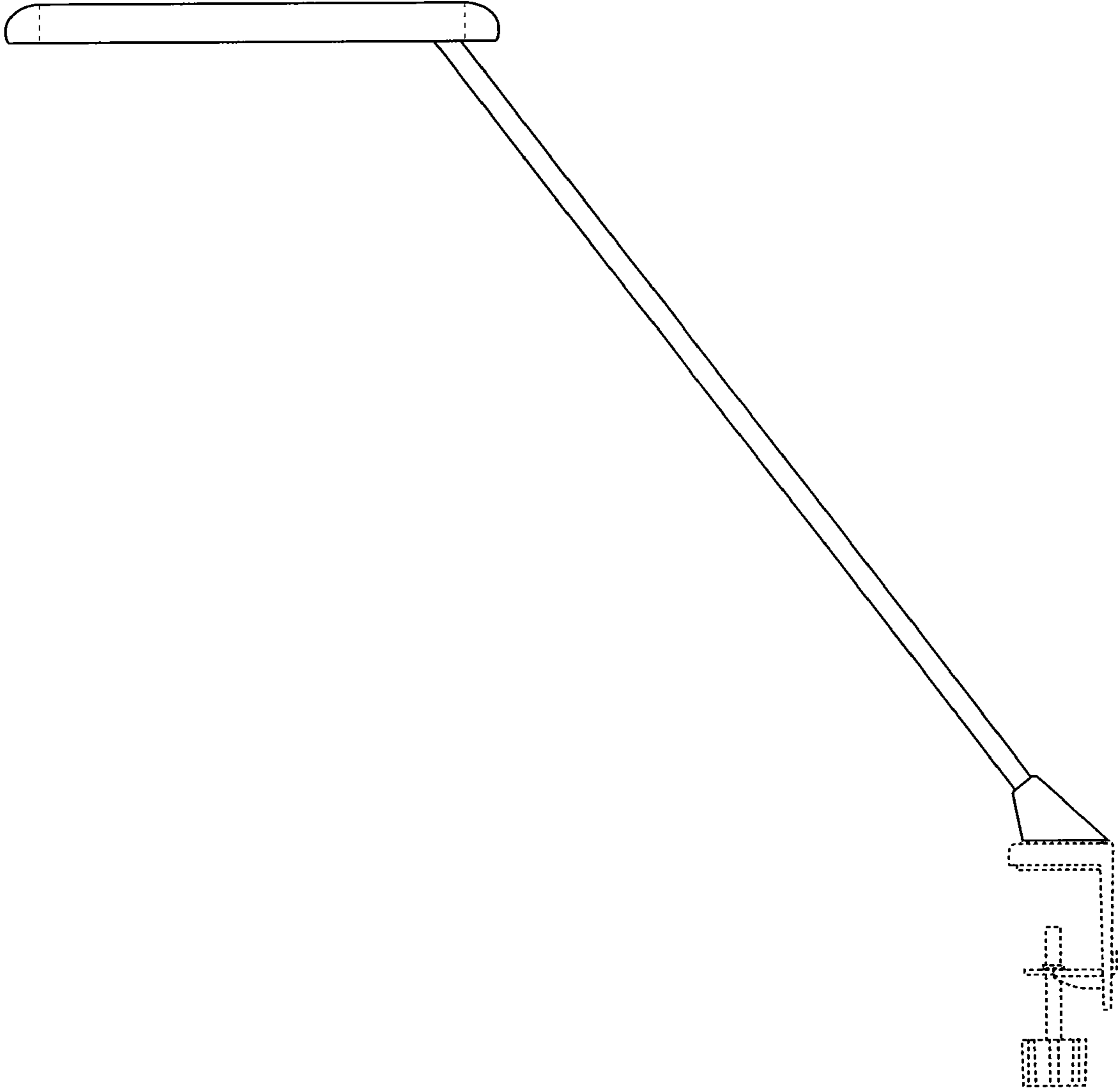


Fig. 4

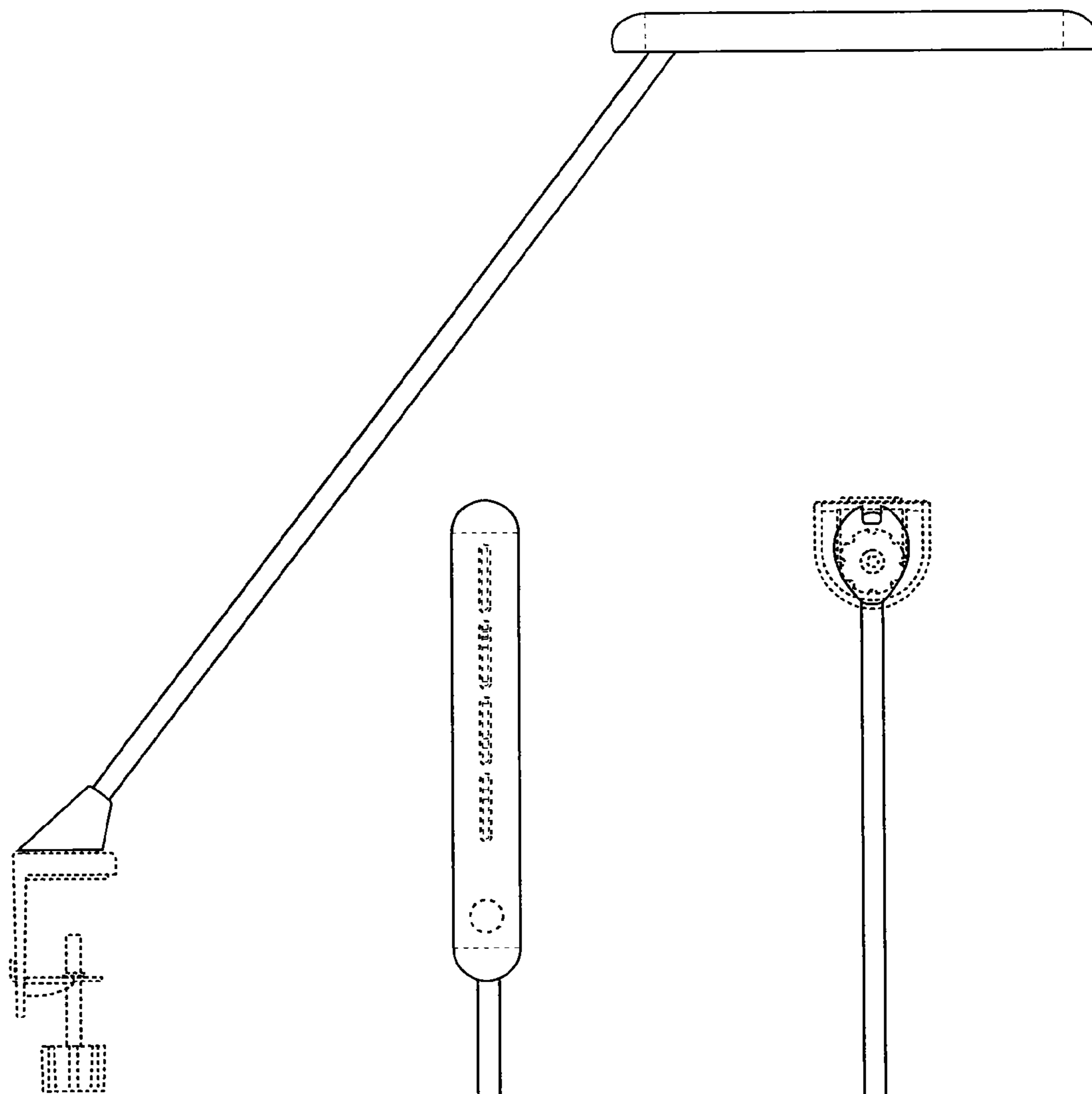


Fig. 5

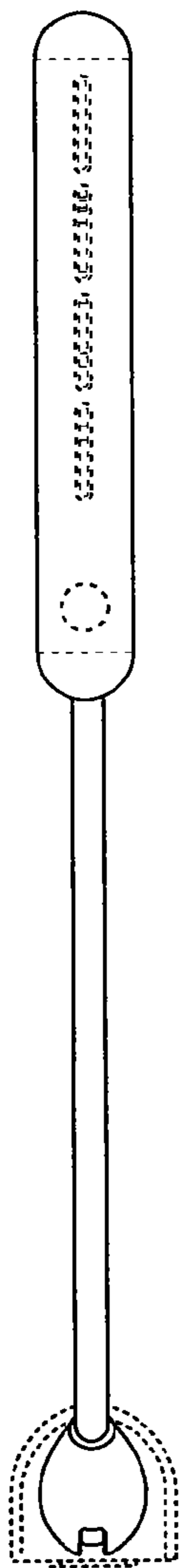


Fig. 6

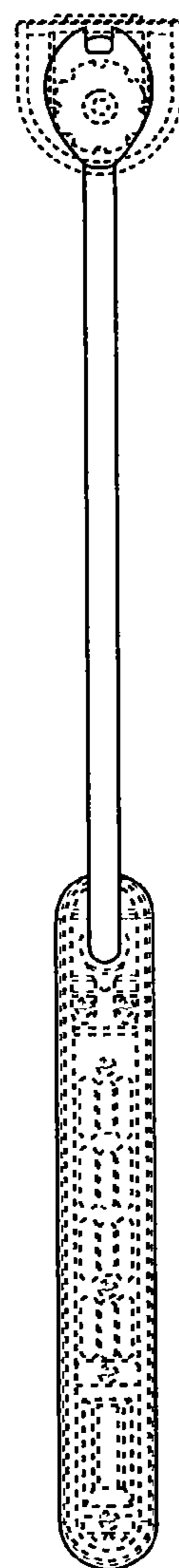


Fig. 7

UNITED STATES PATENT AND TRADEMARK OFFICE
CERTIFICATE OF CORRECTION

PATENT NO. : D611,634 S
APPLICATION NO. : 29/340938
DATED : March 9, 2010
INVENTOR(S) : Thomas J. Newhouse

Page 1 of 1

It is certified that error appears in the above-identified patent and that said Letters Patent is hereby corrected as shown below:

On the Title Page

Right column, item (57), line 1, under “CLAIM”, after “design for a” replace “lamp” with
--light--.

Signed and Sealed this
Ninth Day of August, 2011

A handwritten signature in black ink that reads "David J. Kappos". The signature is written in a cursive style with a large initial "D" and "K".

David J. Kappos
Director of the United States Patent and Trademark Office