



US00D611633S

(12) **United States Design Patent**
Thomson et al.

(10) **Patent No.:** **US D611,633 S**
(45) **Date of Patent:** **** Mar. 9, 2010**

(54) **BOOK LIGHT**

D550,385 S * 9/2007 Hamilton et al. D26/37

(75) Inventors: **John Matthew Thomson**, Tampa, FL (US); **Kelly Martelli**, Tampa, FL (US); **Kelly Shea Keuthe**, Lutz, FL (US)

* cited by examiner

Primary Examiner—Ian Simmons
Assistant Examiner—Carissa C Fitts

(73) Assignee: **Ottlite Technologies, Inc.**, Tampa, FL (US)

(74) *Attorney, Agent, or Firm*—Christopher Paradies; Fowler White Boggs P.A.

(**) Term: **14 Years**

(57) **CLAIM**

(21) Appl. No.: **29/337,211**

The ornamental design for a book light, as shown and described.

(22) Filed: **May 18, 2009**

DESCRIPTION

(51) **LOC (9) Cl.** **26-05**

FIG. 1 is a front elevational view of a book light, in its closed position, showing our new design;

(52) **U.S. Cl.** **D26/51**

FIG. 2 is a bottom perspective view of the front, in its open position, thereof;

(58) **Field of Classification Search** D26/37,
D26/38, 39, 42, 43, 46, 47, 51, 56, 57; 362/157,
362/158, 183, 184, 187, 194, 195, 196, 197,
362/200, 208, 253, 396

FIG. 3 is a bottom plan view, in its closed position, thereof;

FIG. 4 is a rear elevational view, in its closed position, thereof;

FIG. 5 is a bottom perspective view of the rear, in its open position, thereof;

See application file for complete search history.

FIG. 6 is a top perspective view of the rear, in its open position thereof;

(56) **References Cited**

FIG. 7 is a left side elevational view, in its closed position thereof;

U.S. PATENT DOCUMENTS

D113,753 S *	3/1939	McCarthy	D6/399
D165,036 S *	10/1951	Wagner	D6/511
D167,785 S *	9/1952	Whitaker	D6/399
D239,531 S *	4/1976	Clowe	D19/91
4,021,013 A *	5/1977	Wiersma	248/453
D256,072 S *	7/1980	Parker	D6/524
D279,482 S *	7/1985	Ermanski	D19/91
D295,589 S *	5/1988	Walker	D6/399
D296,629 S *	7/1988	Tong	D6/399
D330,090 S *	10/1992	Walter et al.	D26/51
D330,602 S *	10/1992	Bay et al.	D26/39
6,022,119 A *	2/2000	Booty, Jr.	362/98
D435,677 S *	12/2000	Hollinger	D26/60
D498,551 S *	11/2004	Chan	D26/37
D549,859 S *	8/2007	Kovacik et al.	D26/37

FIG. 8 is a left side elevational view, in its open position thereof;

FIG. 9 is a right side elevational view, in its closed position thereof;

FIG. 10 is a right side elevational view, in its open position thereof;

FIG. 11 is a top plan view, in its closed position thereof;

FIG. 12 is a top perspective view of the front, in its open position thereof; and,

FIG. 13 is a bottom, right perspective view of the front, in its open position thereof.

1 Claim, 9 Drawing Sheets

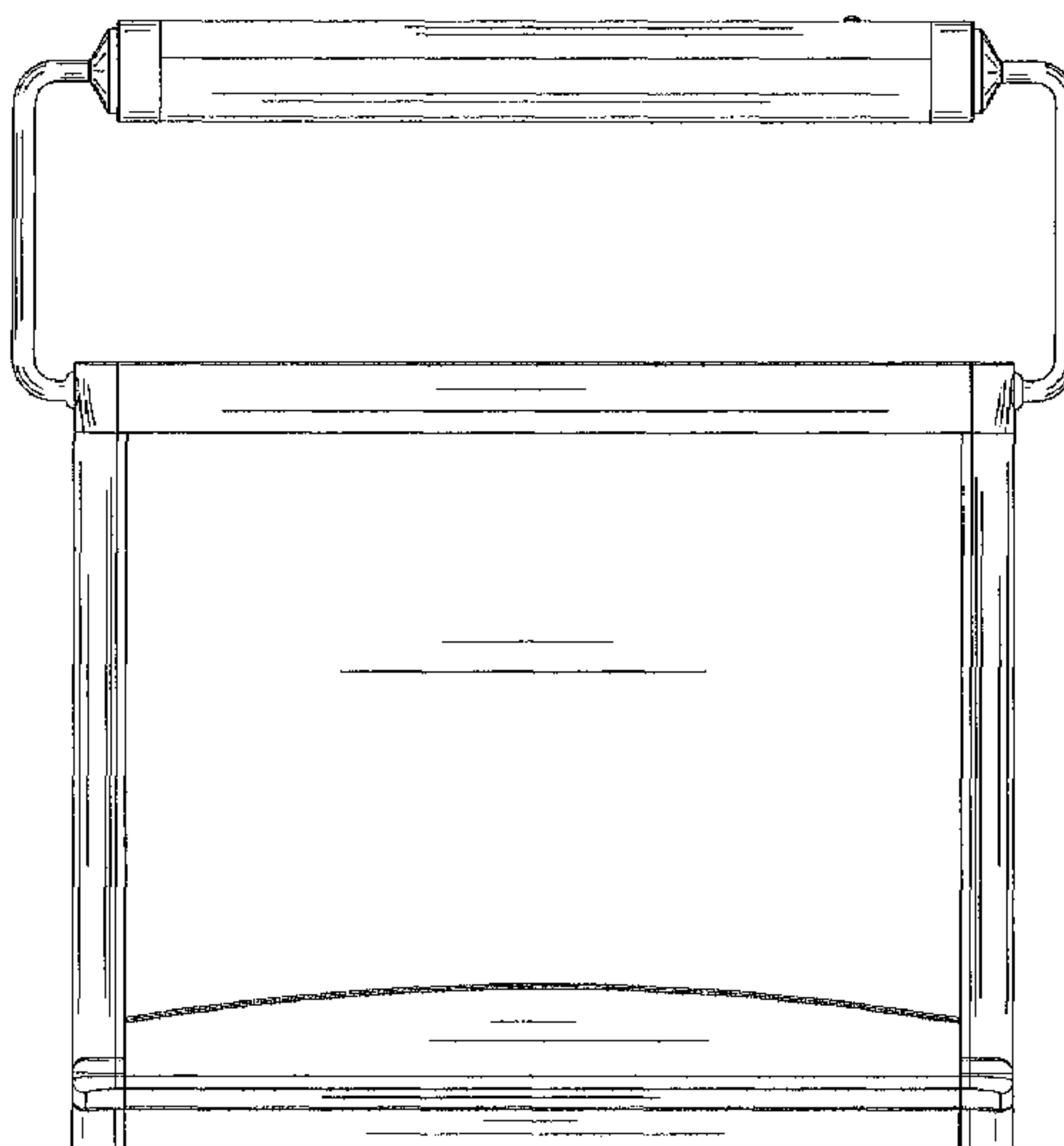
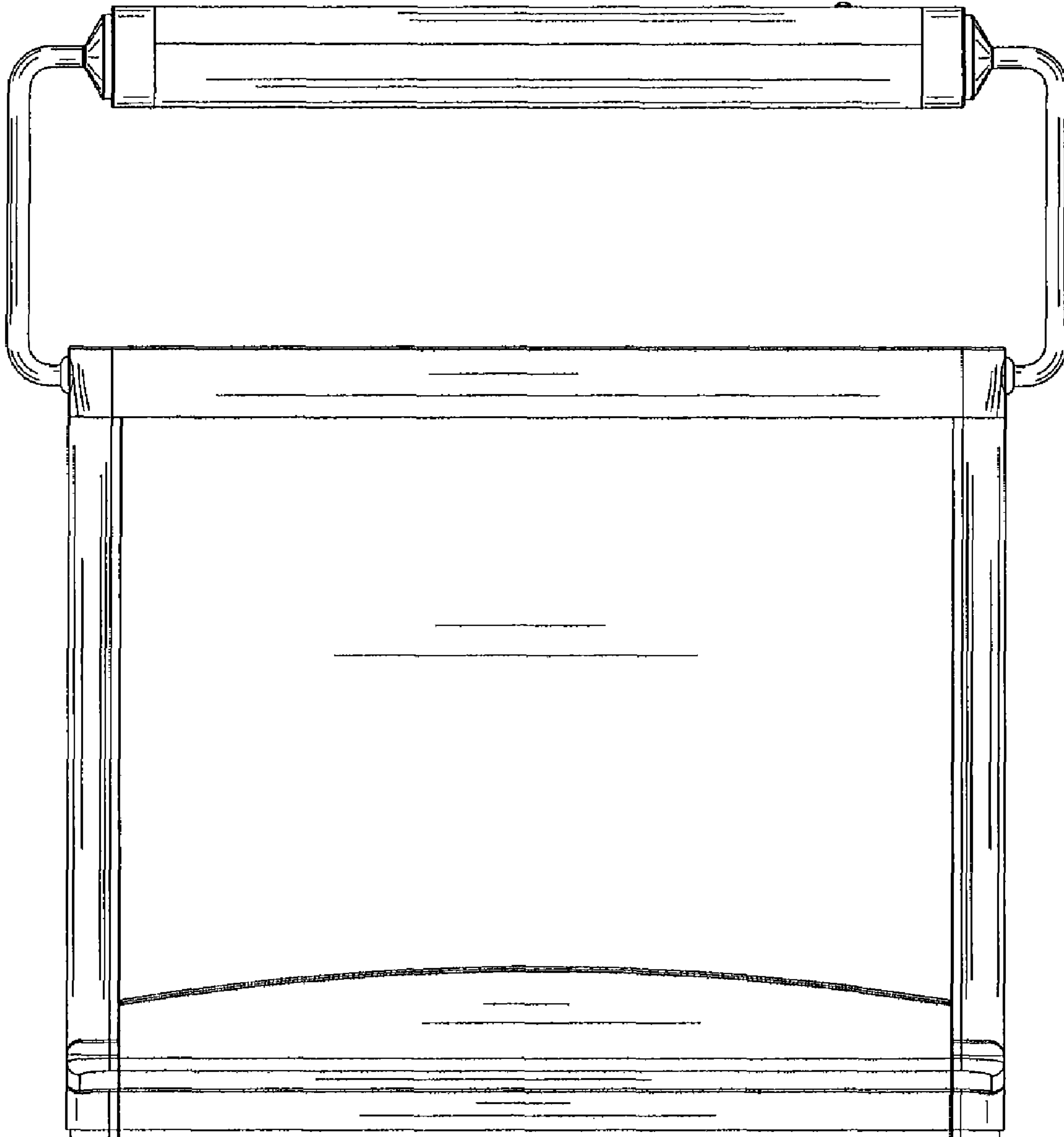


FIG. 1



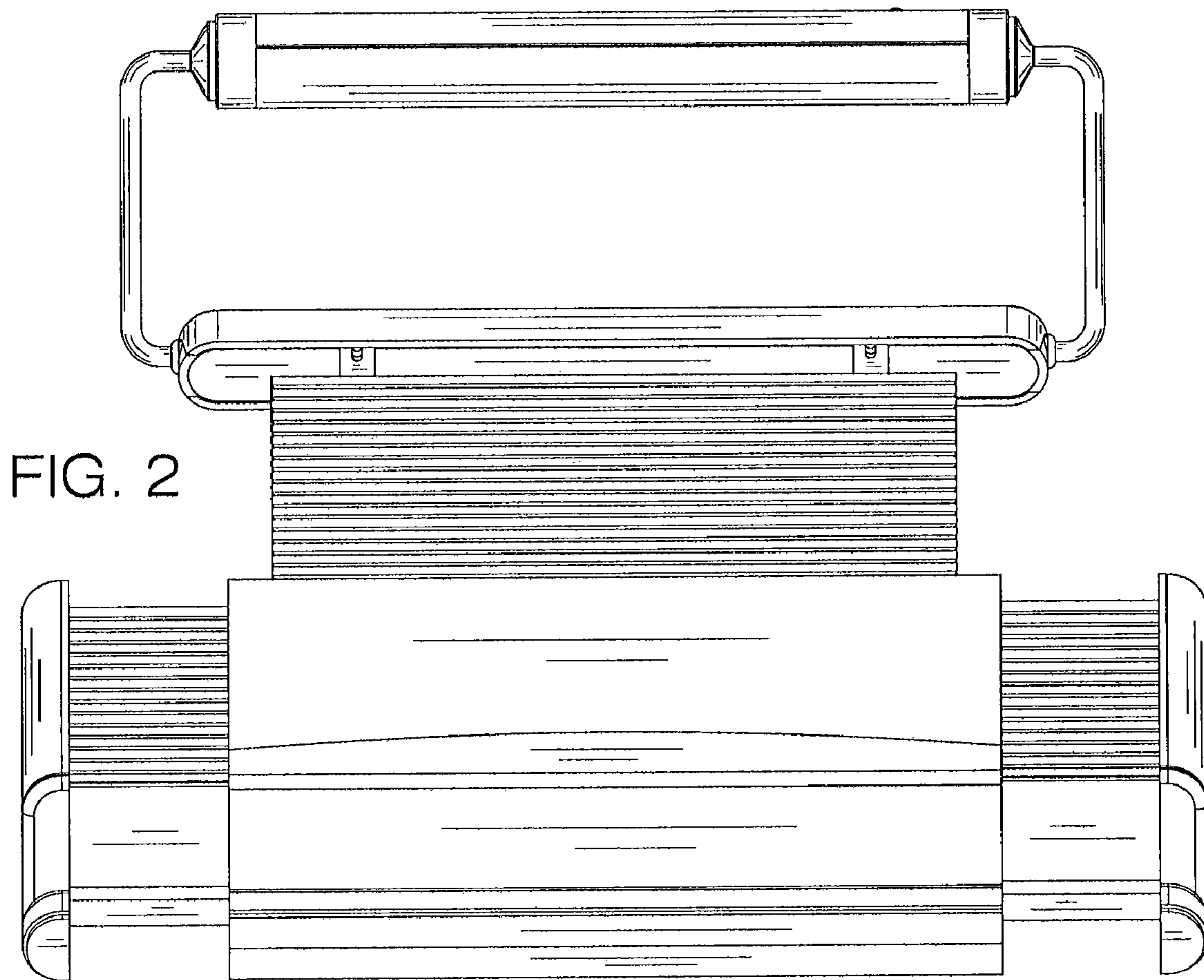


FIG. 3

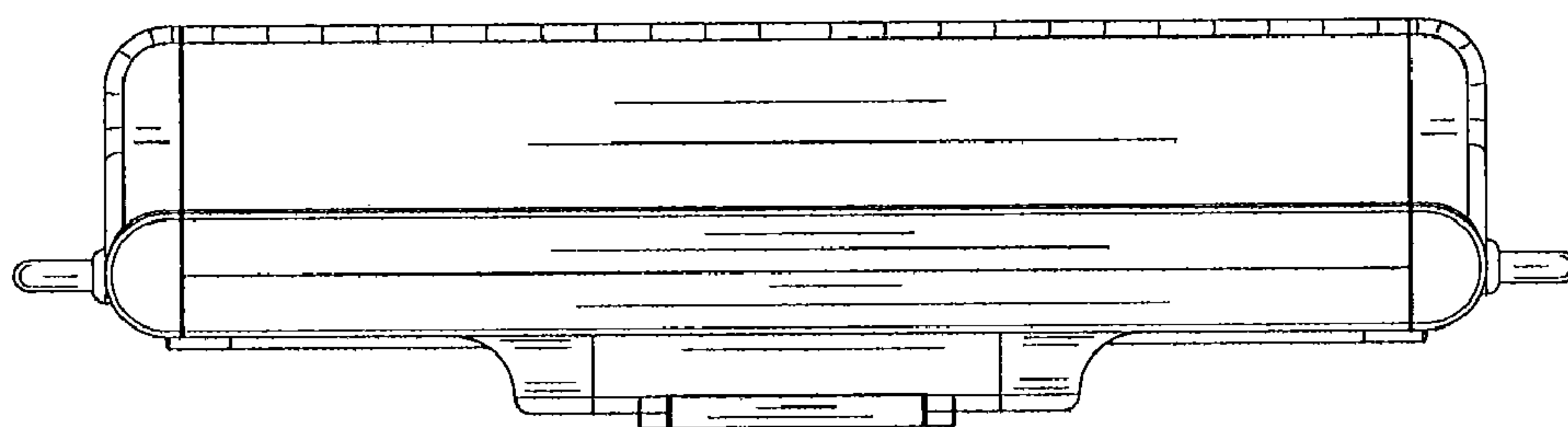


FIG. 4

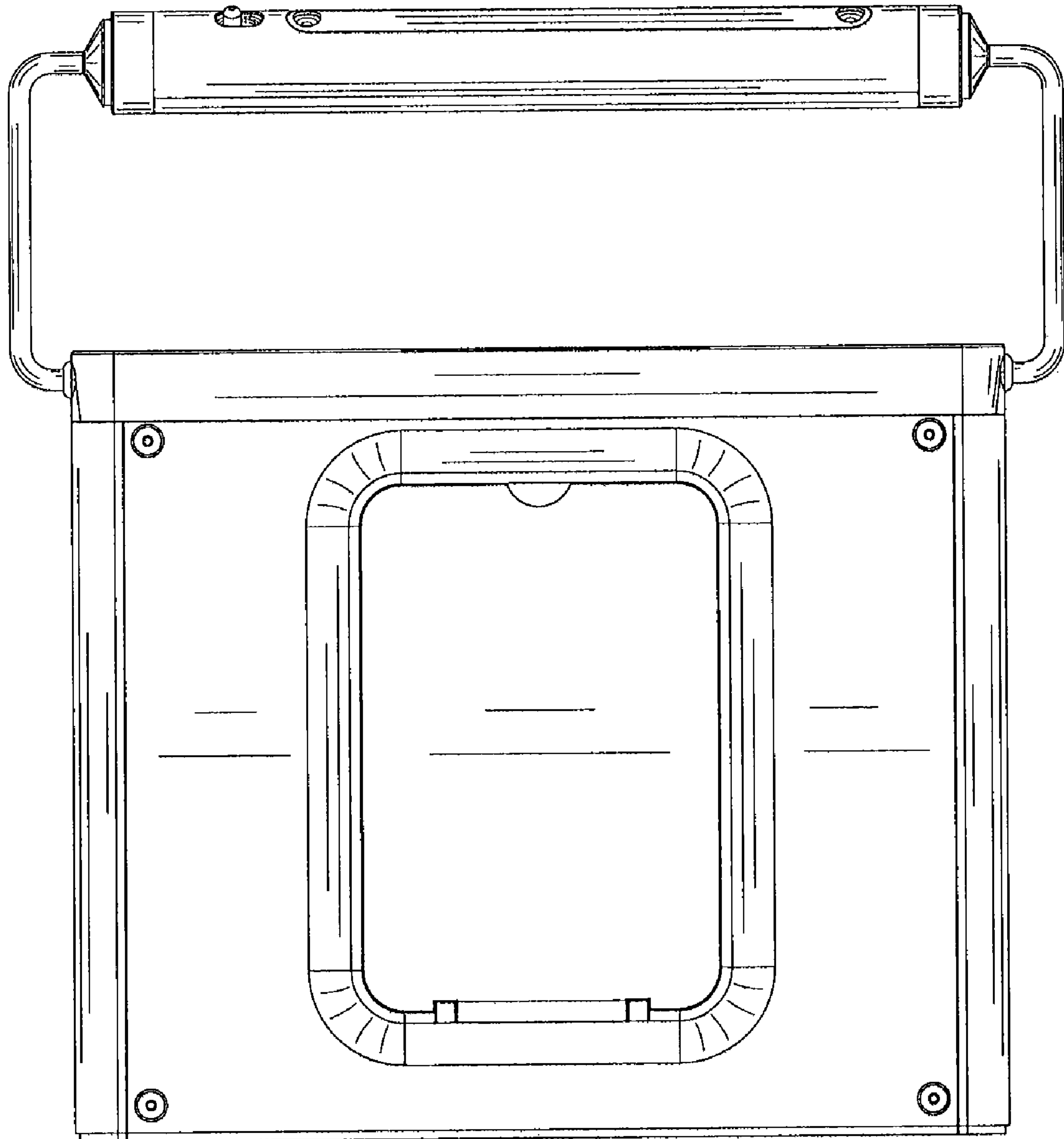
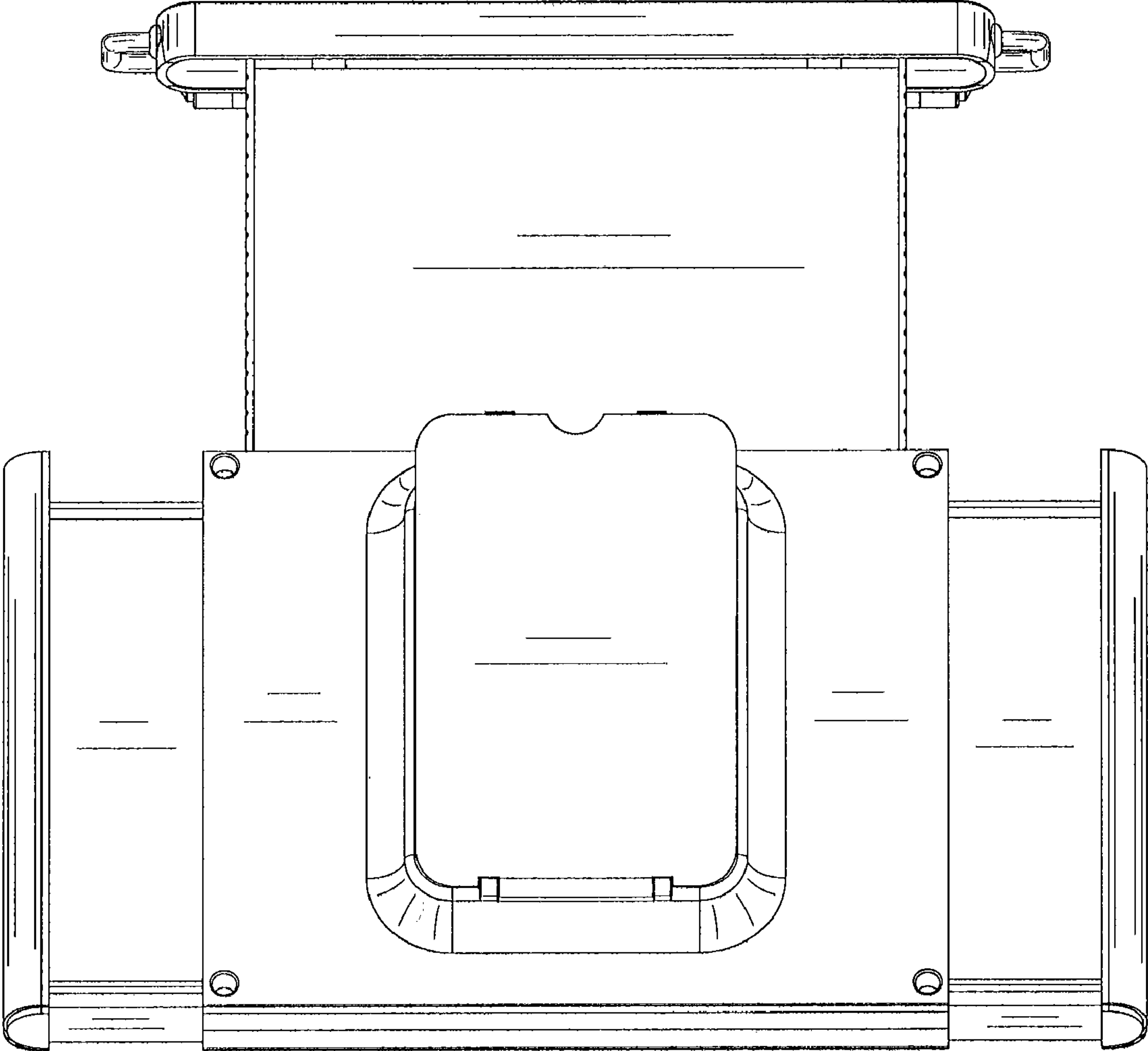


FIG. 5



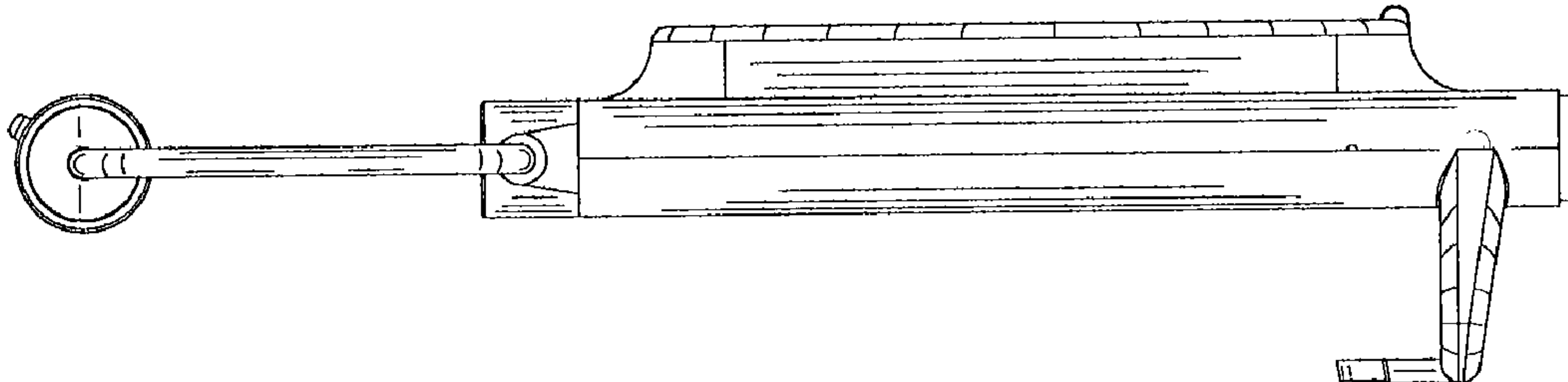


FIG. 7

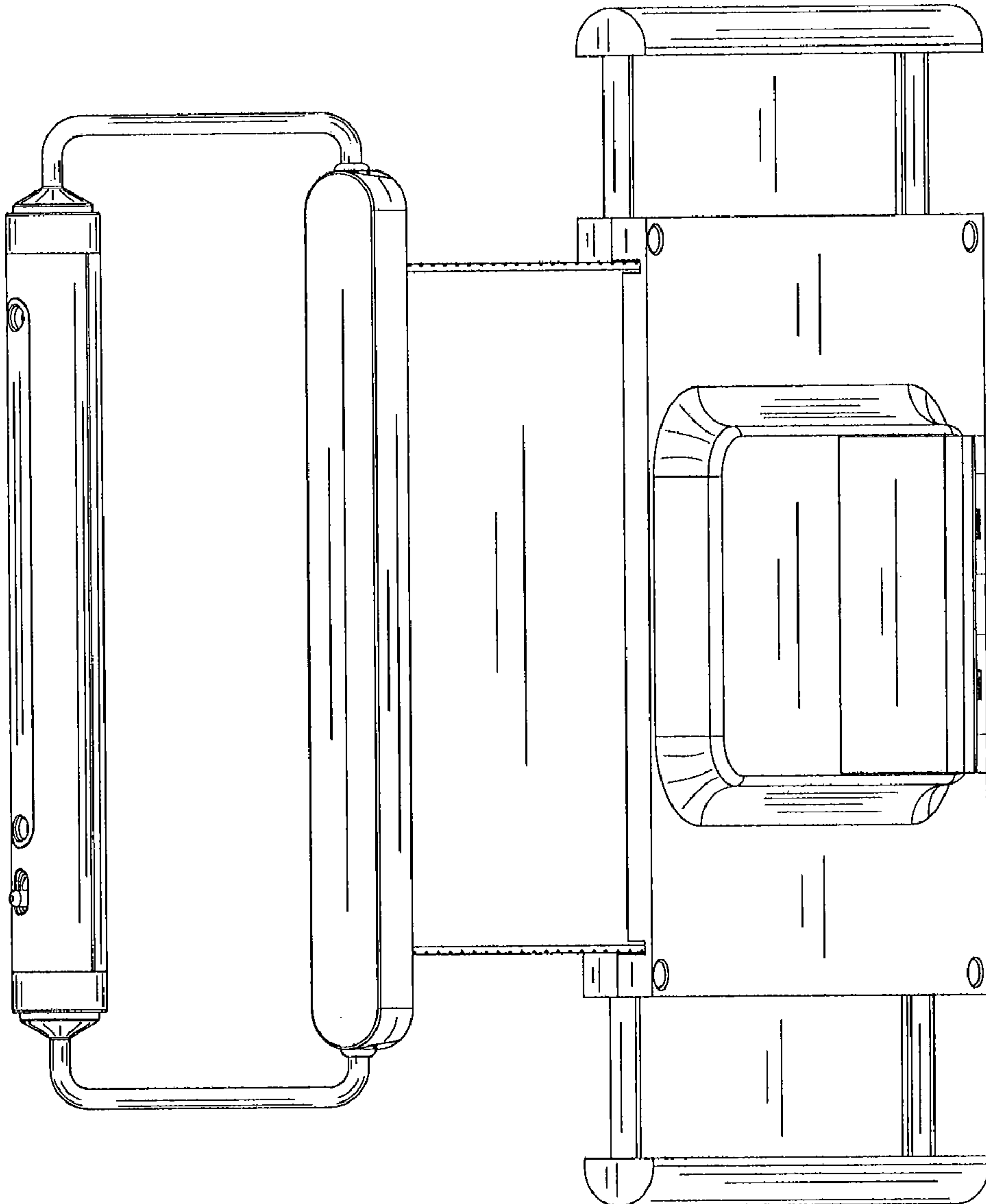
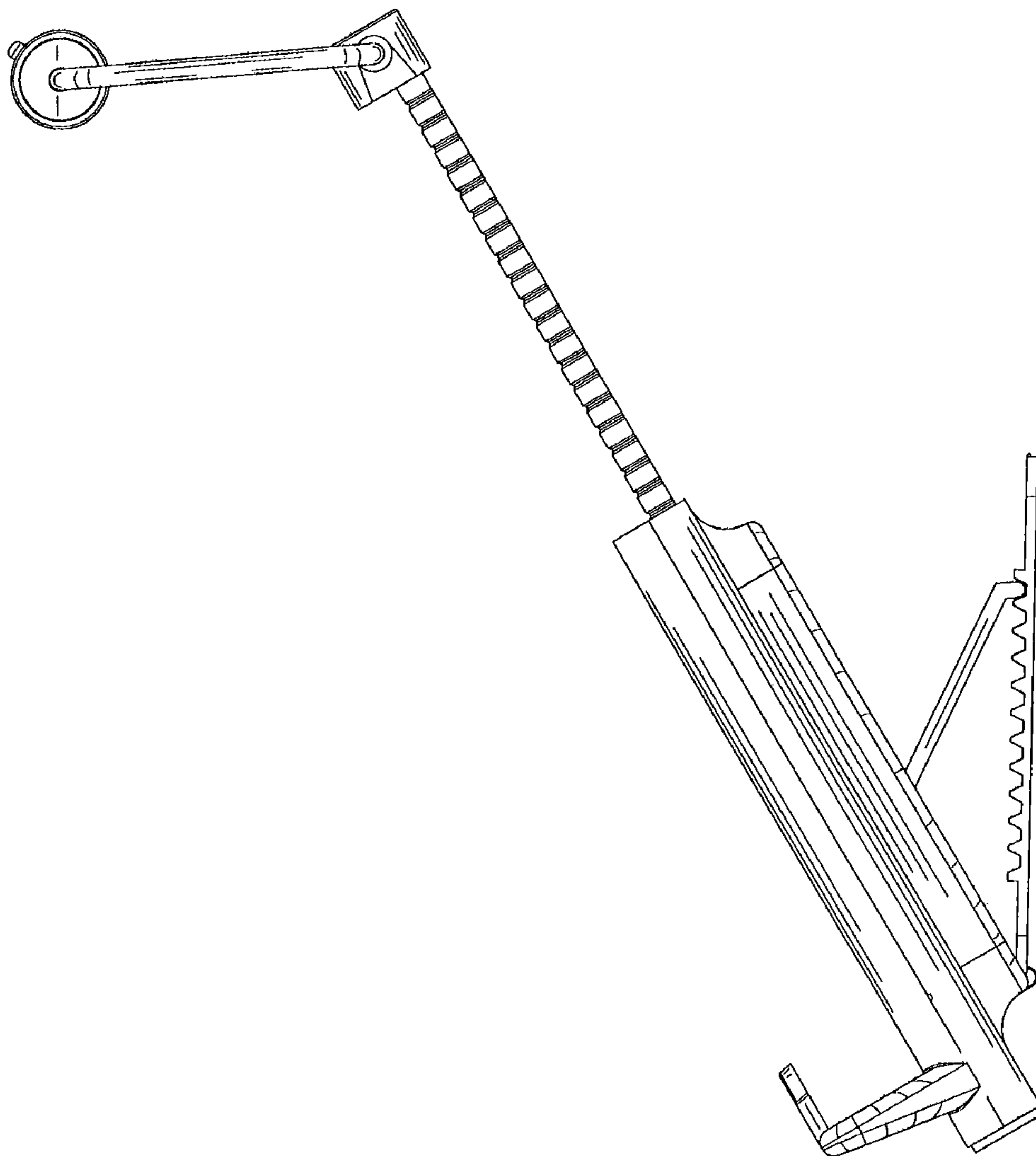
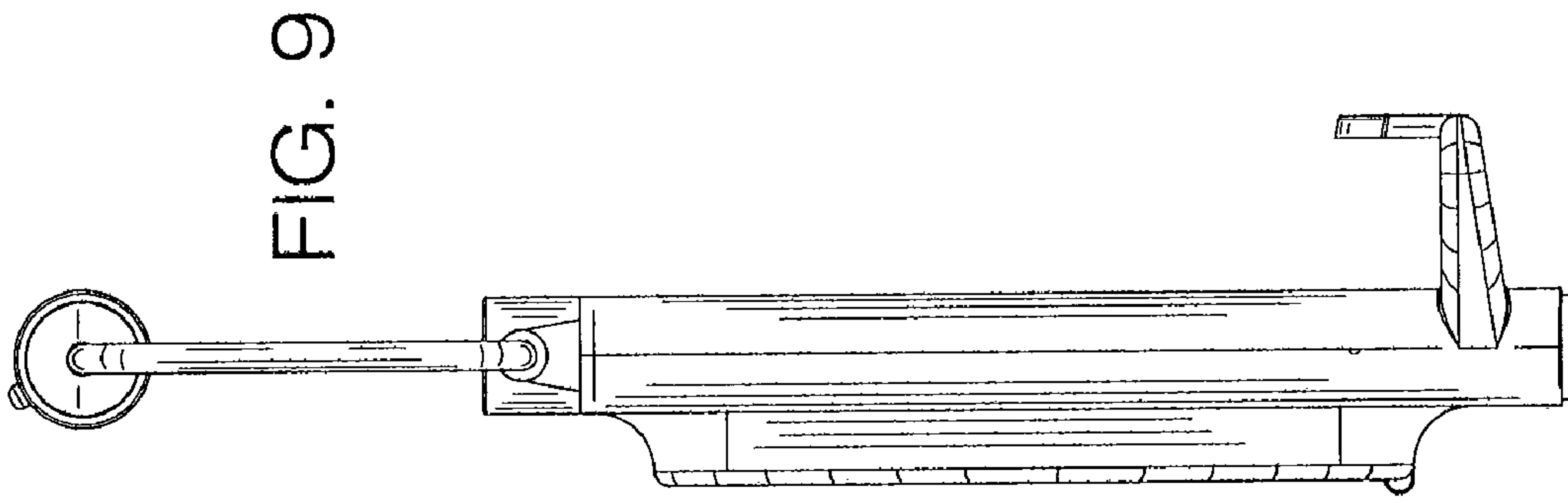


FIG. 6



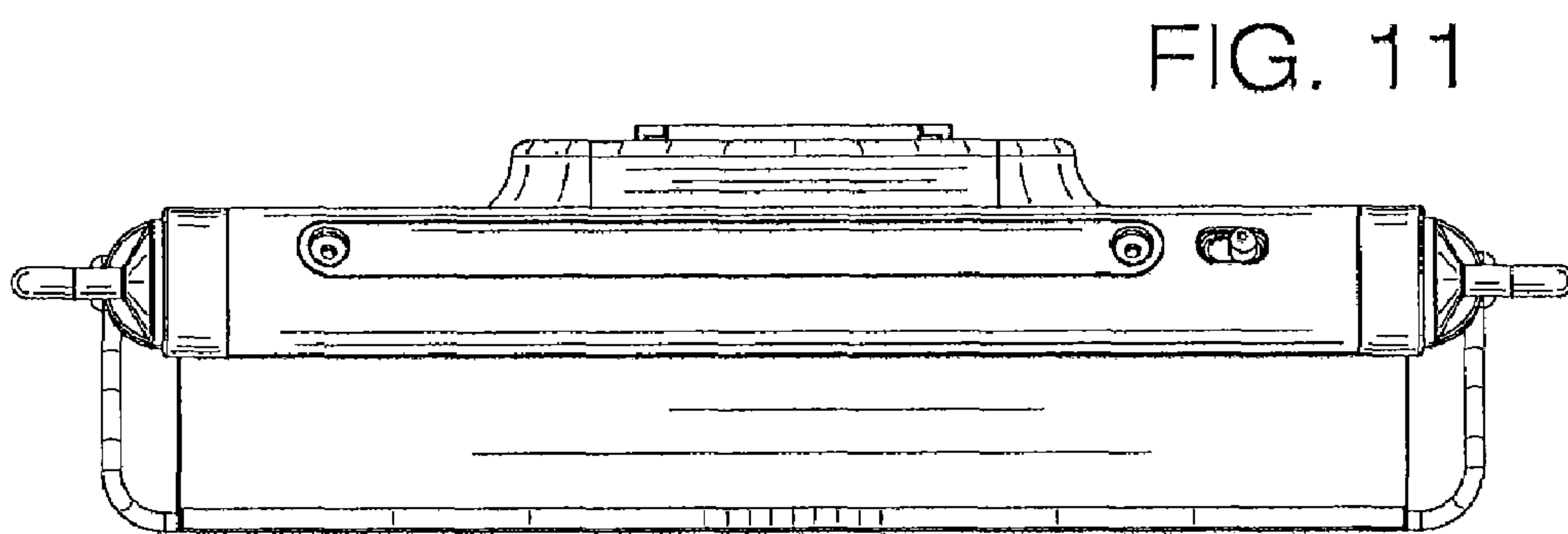
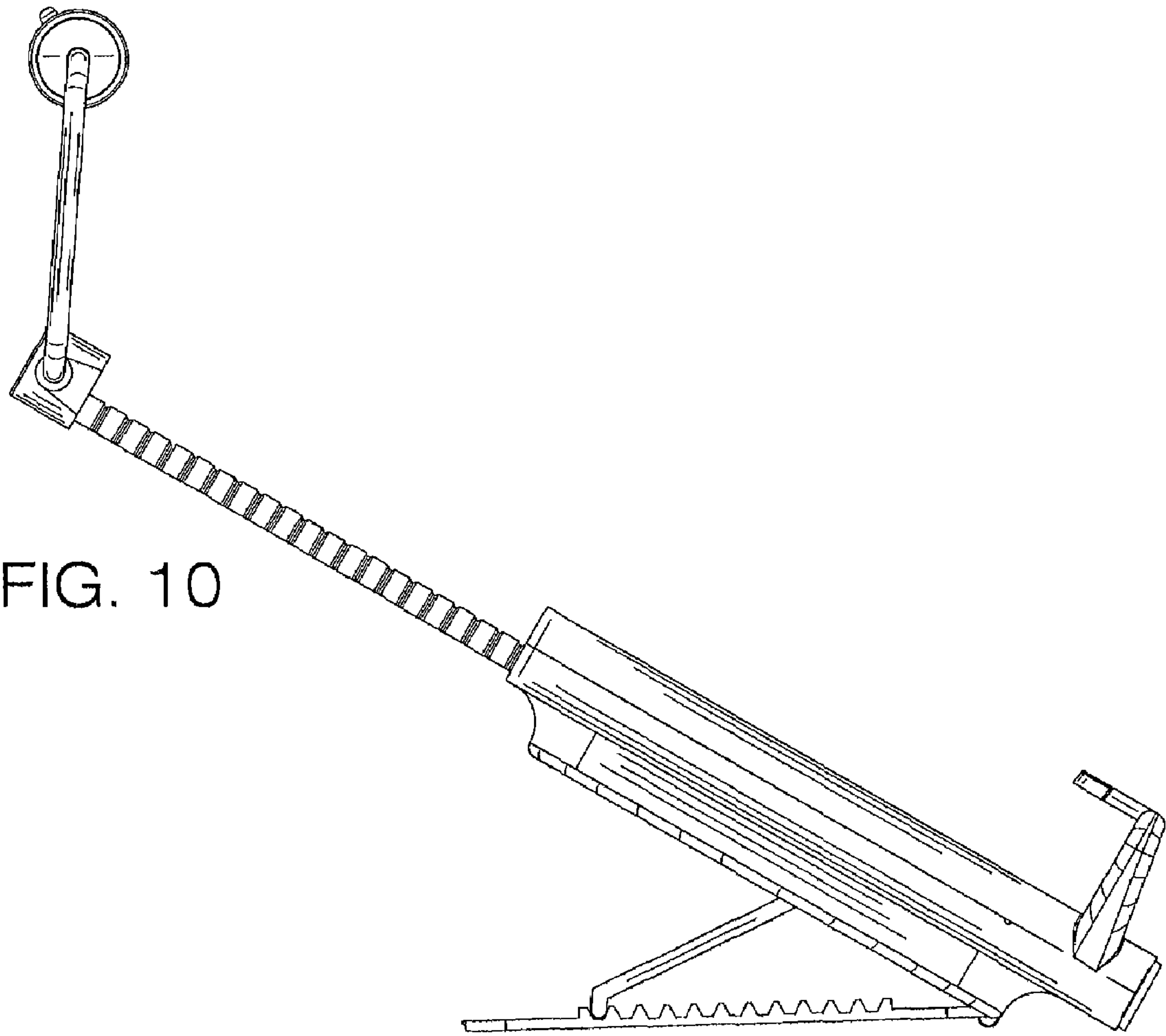
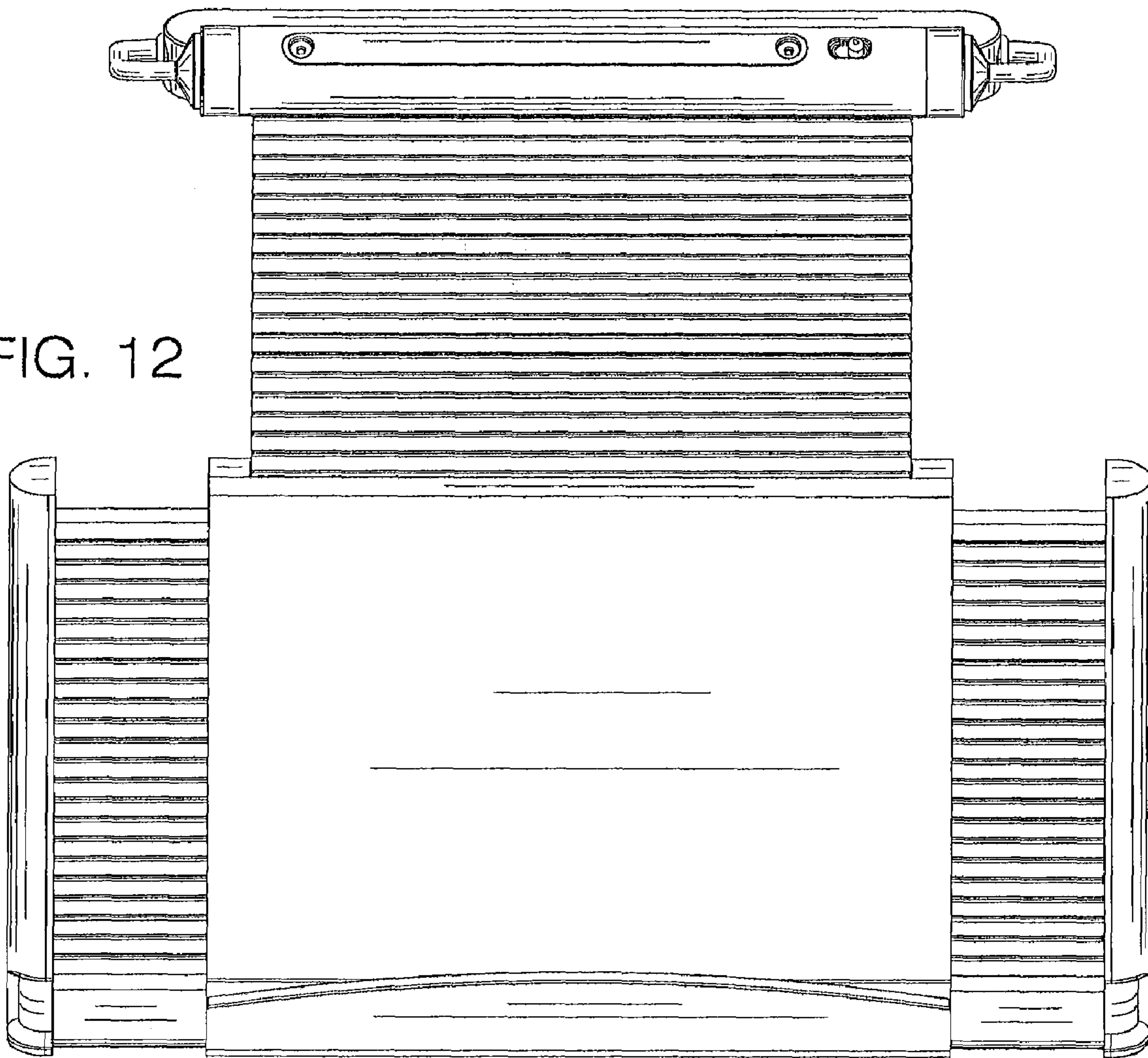


FIG. 12



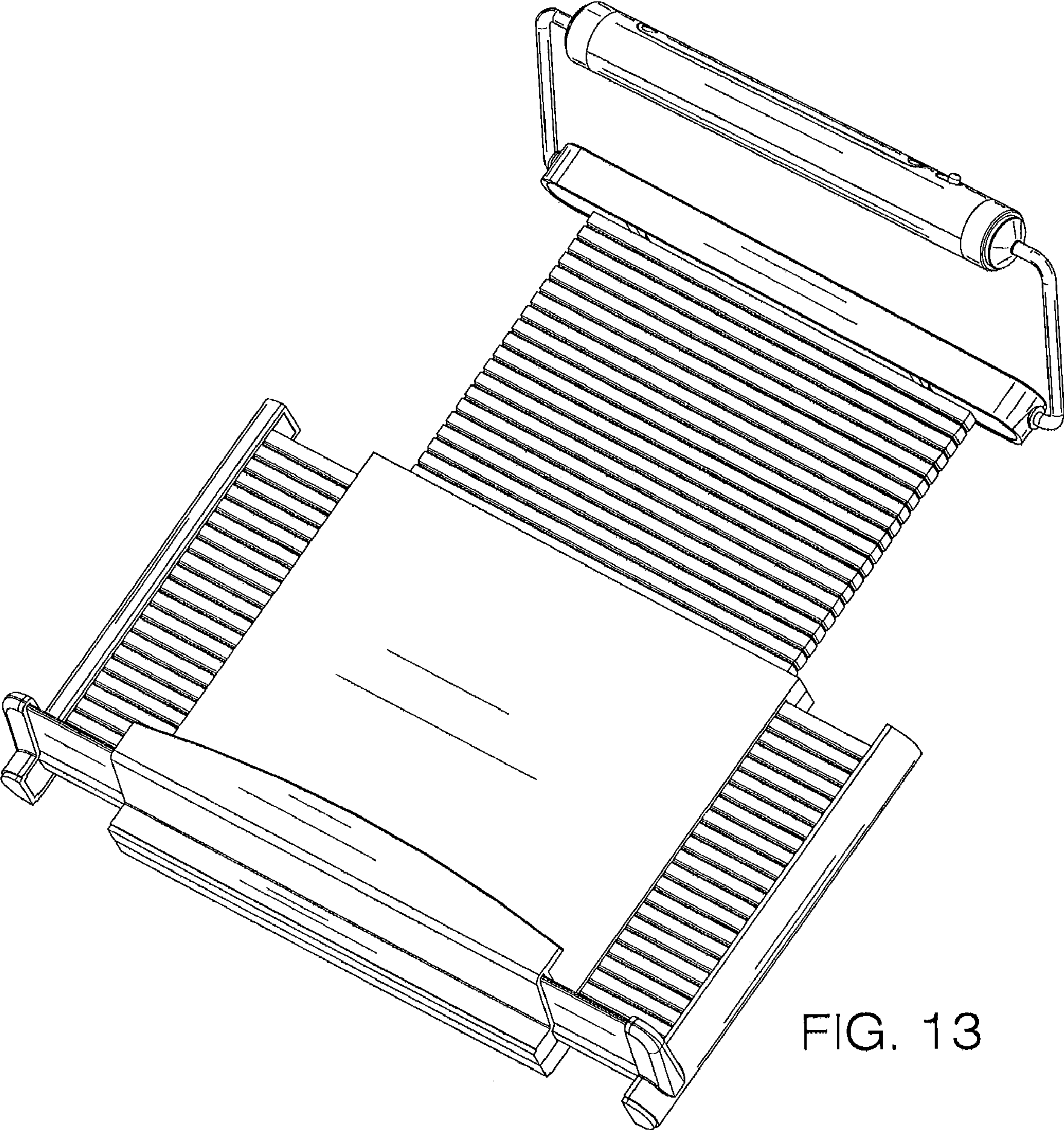


FIG. 13