



US00D611631S

(12) **United States Design Patent**  
**Hsu**

(10) **Patent No.:** **US D611,631 S**  
(45) **Date of Patent:** **\*\* Mar. 9, 2010**

(54) **COMBINED SPOTLIGHT AND LED LANTERN**

*Primary Examiner*—Ian Simmons  
*Assistant Examiner*—Carissa C Fitts

(76) **Inventor:** **Po-Jung Hsu**, 38841 Tyson La.,  
Fremont, CA (US) 94536

(57) **CLAIM**

(\*\*) **Term:** **14 Years**

The ornamental design for a combined spotlight and LED lantern, as shown and described.

(21) **Appl. No.:** **29/333,297**

(22) **Filed:** **Mar. 5, 2009**

**DESCRIPTION**

(51) **LOC (9) Cl.** ..... **26-02**

(52) **U.S. Cl.** ..... **D26/45; D26/40**

(58) **Field of Classification Search** ..... D26/37,  
D26/42, 38, 46.48, 50; 362/157, 158, 183,  
362/190–208

FIG. 1 is a perspective view of the combined spotlight and LED lantern;

FIG. 2 is a right side view of the combined spotlight and LED lantern;

See application file for complete search history.

FIG. 3 is a left side view of the combined spotlight and LED lantern;

(56) **References Cited**

**U.S. PATENT DOCUMENTS**

D390,679 S *	2/1998	Chang	.....	D26/38
D421,659 S *	3/2000	Lei	.....	D26/38
D445,519 S *	7/2001	Burns	.....	D26/38
D445,935 S *	7/2001	Shing	.....	D26/50
D449,899 S *	10/2001	Hayakawa et al.	.....	D26/48
D540,484 S *	4/2007	Bayat et al.	.....	D26/42
D543,301 S *	5/2007	Chen	.....	D26/42
D556,926 S *	12/2007	Thirouin	.....	D26/37
D593,694 S *	6/2009	Bent	.....	D26/37

FIG. 4 is a front view of the combined spotlight and LED lantern;

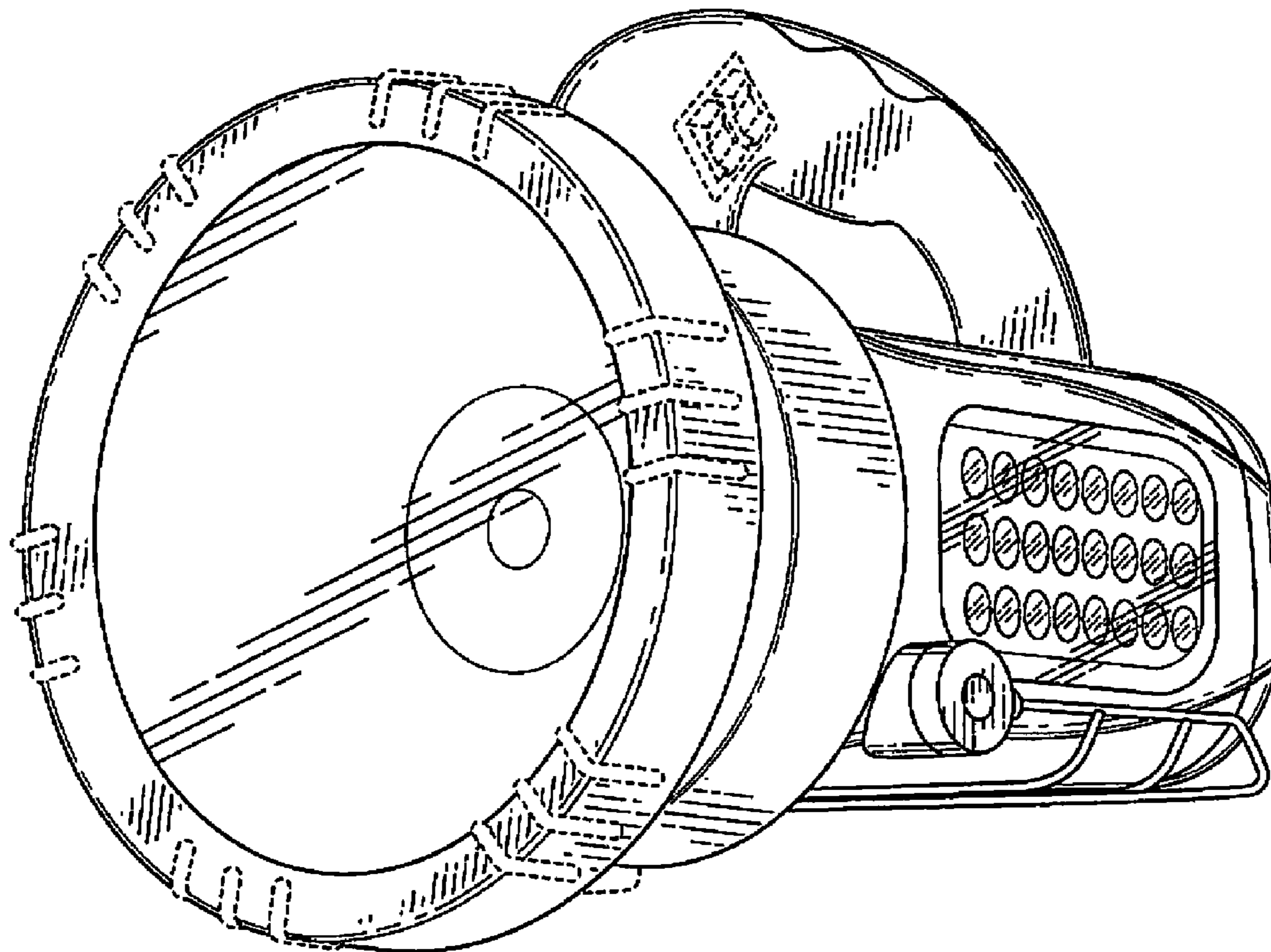
FIG. 5 is a back view of the combined spotlight and LED lantern;

FIG. 6 is a top view of the combined spotlight and LED lantern; and,

FIG. 7 is a bottom view of the combined spotlight and LED lantern.

\* cited by examiner

**1 Claim, 7 Drawing Sheets**



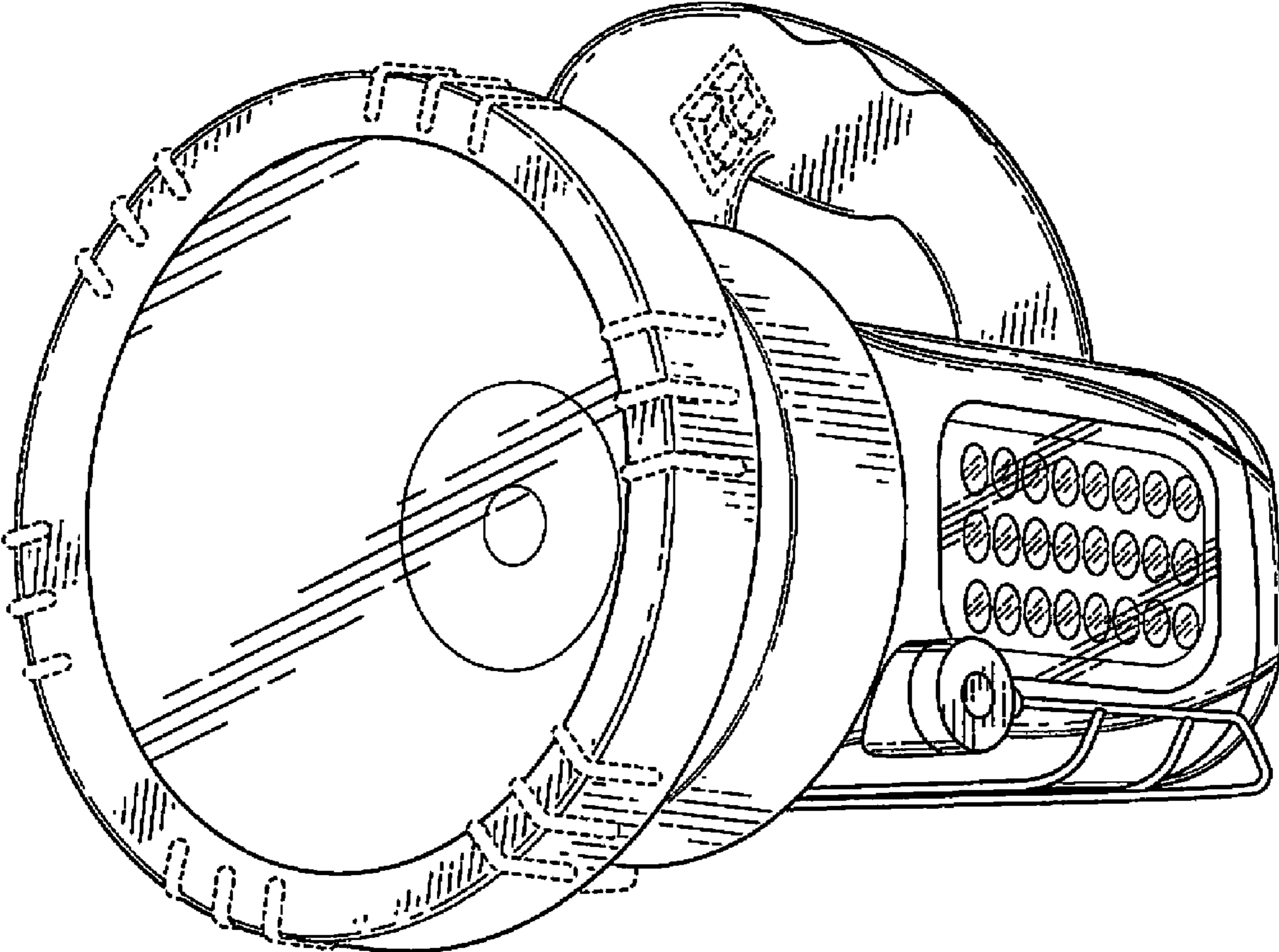


FIG. 1

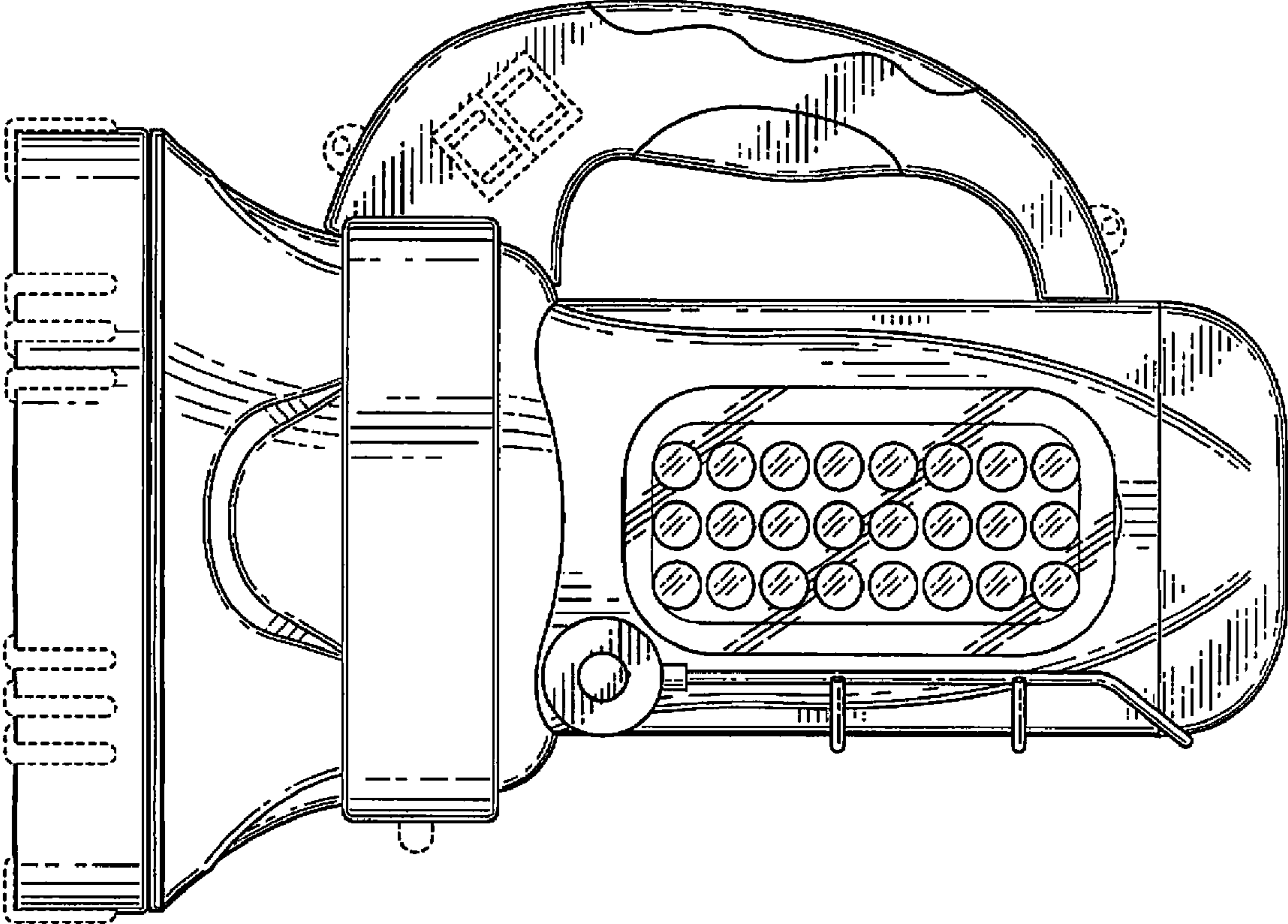


FIG. 2

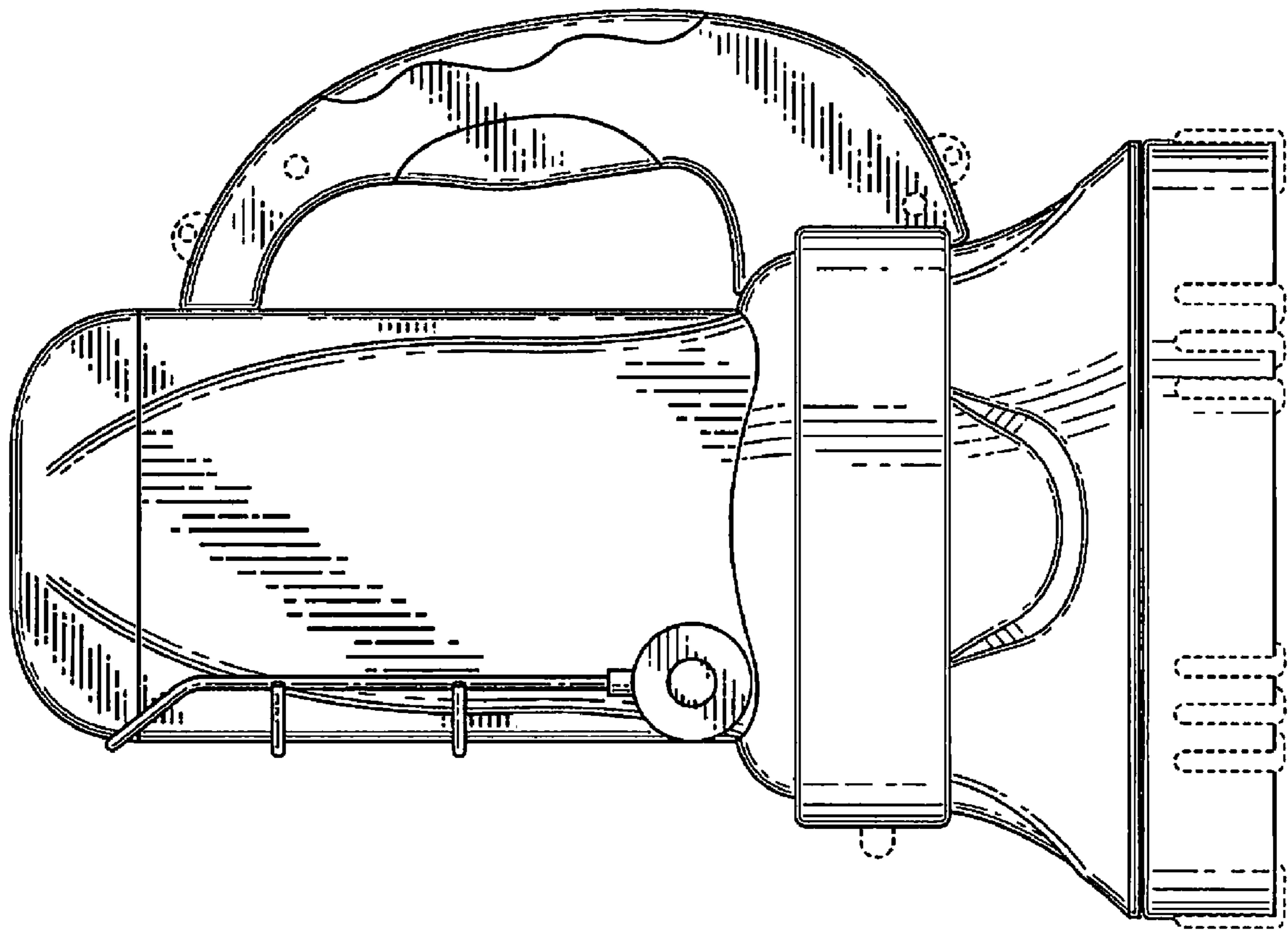


FIG. 3

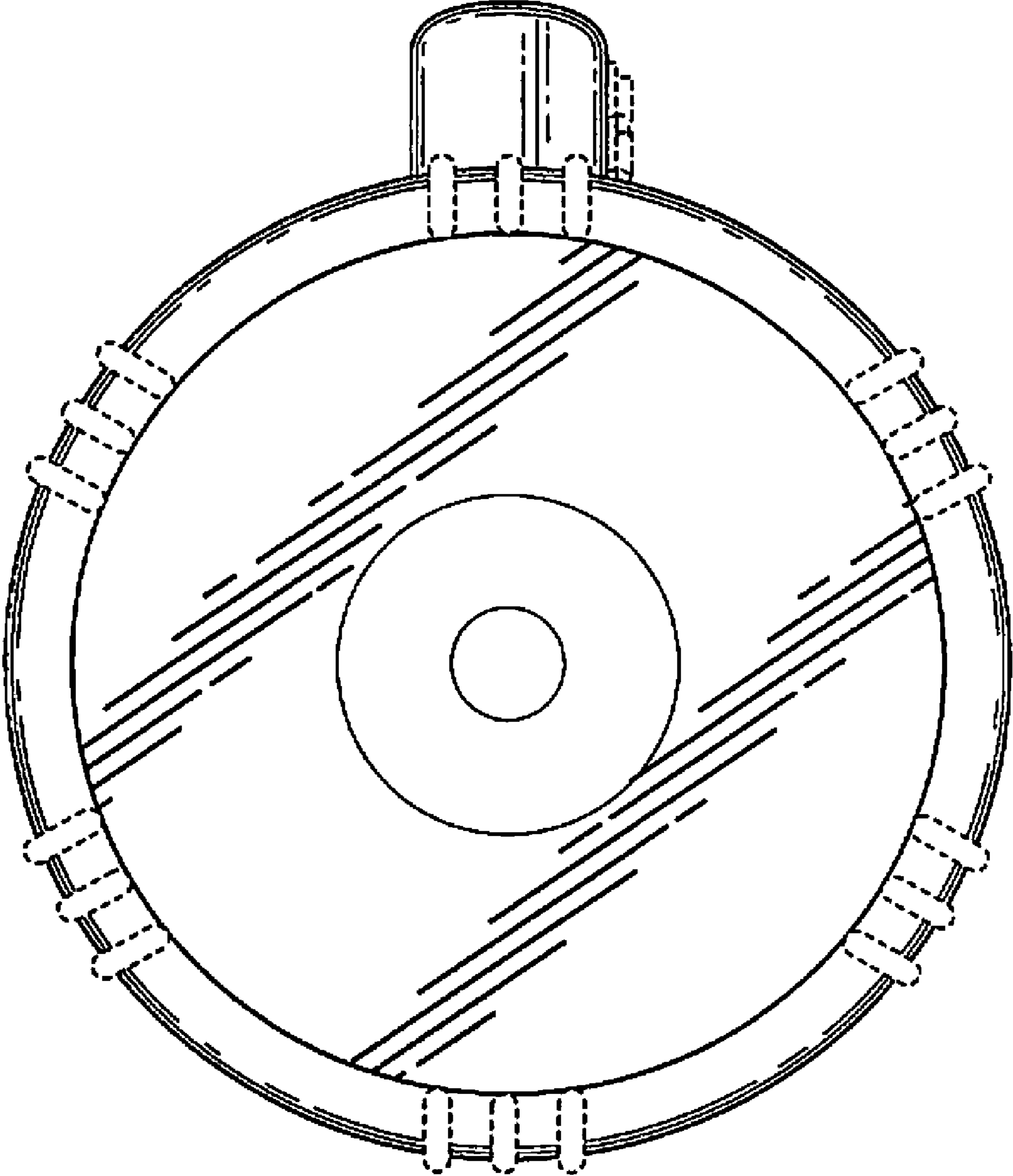


FIG. 4

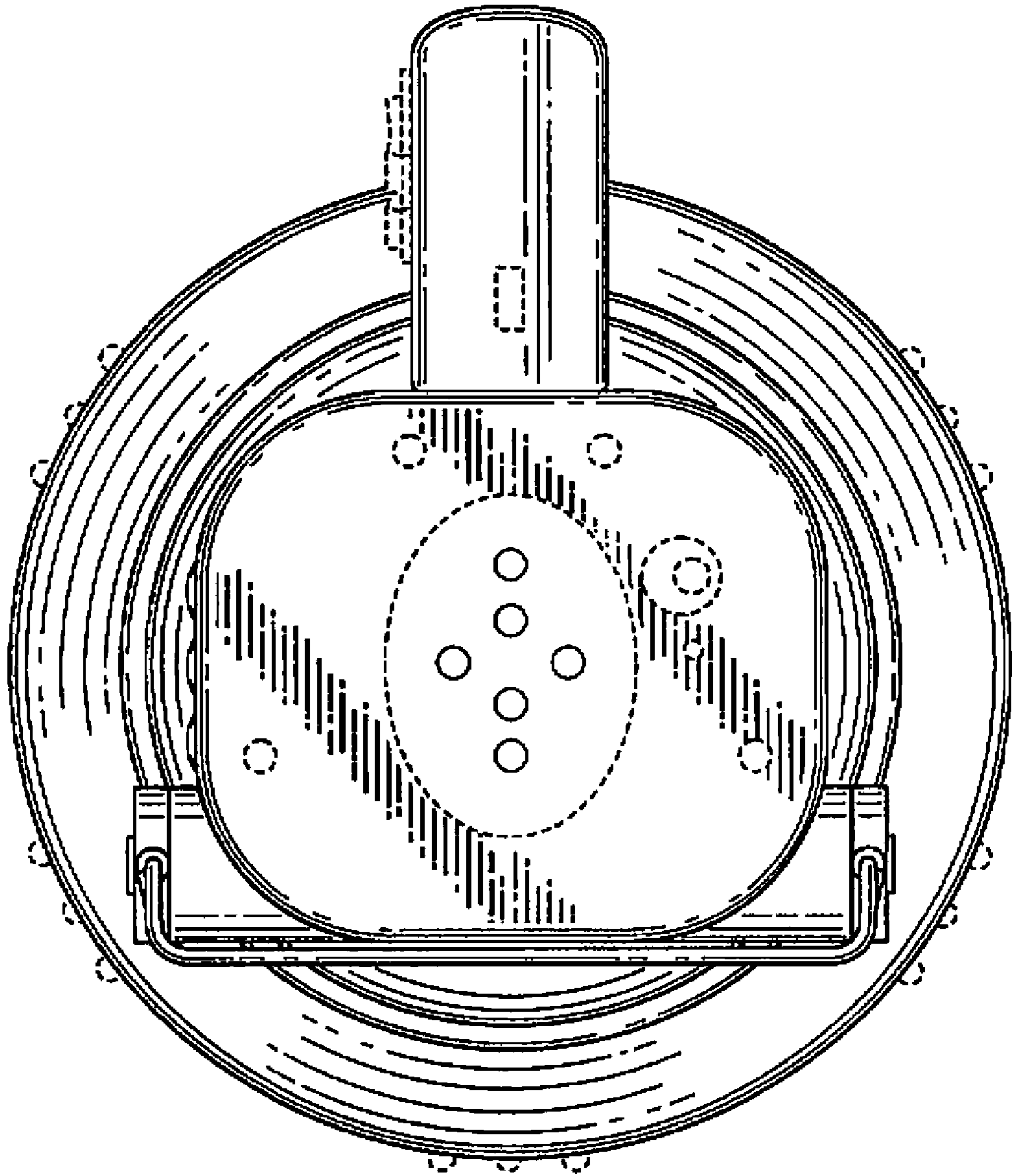


FIG. 5

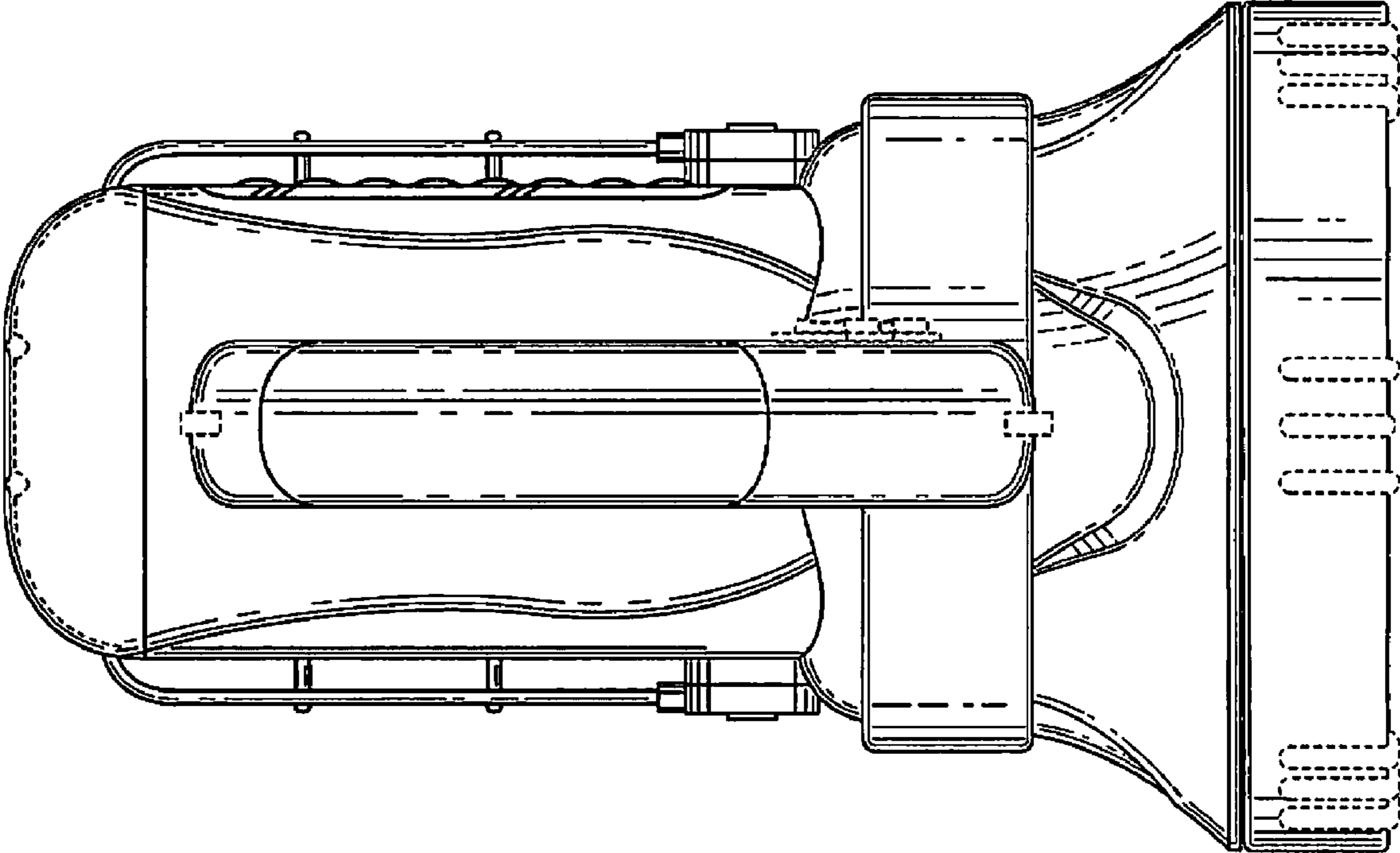


FIG. 6

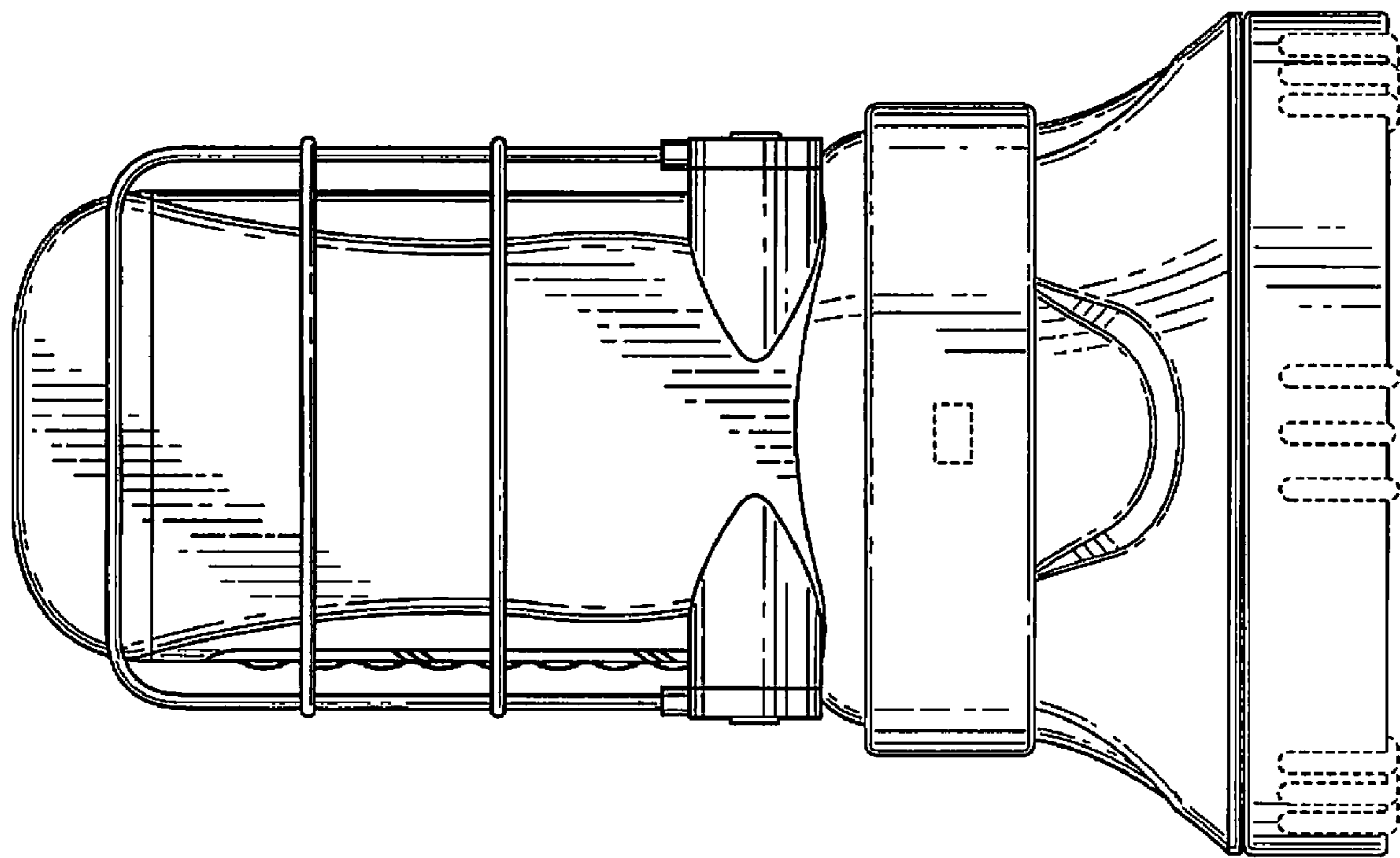


FIG. 7