



US00D611630S

(12) **United States Design Patent**
Chan

(10) **Patent No.:** **US D611,630 S**
(45) **Date of Patent:** **** Mar. 9, 2010**

(54) **LANTERN**

D548,381 S * 8/2007 Tremeer D26/40
D548,864 S * 8/2007 Lee D26/38
D583,492 S * 12/2008 Jen D26/40

(75) Inventor: **Peter Chan**, Kowloon (HK)

(73) Assignee: **Lumilite International Ltd.**, Kowloon (HK)

* cited by examiner

(**) Term: **14 Years**

Primary Examiner—Ian Simmons
Assistant Examiner—Carissa C Fitts

(21) Appl. No.: **29/279,848**

(74) *Attorney, Agent, or Firm*—Schwabe, Williamson & Wyatt

(22) Filed: **May 8, 2007**

(57) **CLAIM**

(51) **LOC (9) Cl.** **26-02**

I claim an ornamental design for a lantern, as shown and described.

(52) **U.S. Cl.** **D26/40**

(58) **Field of Classification Search** D26/37–50,
D26/40, 41, 42, 43, 44, 46, 48, 49, 51; 362/157,
362/158, 171–174, 183–208, 919
See application file for complete search history.

DESCRIPTION

(56) **References Cited**

FIG. 1 illustrates a perspective view of a lantern showing my new design;

FIG. 2 illustrates a partial front perspective view of the invention of FIG. 1 with speakers extended;

FIG. 3 illustrates a rear perspective view invention of FIG. 1 with speakers extended;

FIG. 4 illustrates a partial rear view of the invention of FIG. 1 with player supports extended;

FIG. 5 illustrates a top view of the invention of FIG. 1; and,
FIG. 6 illustrates a top view of the invention of FIG. 1 with the handle extended.

U.S. PATENT DOCUMENTS

D374,098 S *	9/1996	Lo	D26/37
D421,660 S *	3/2000	Shing	D26/40
D433,762 S *	11/2000	Yuen	D26/40
D434,163 S *	11/2000	Lee	D26/40
D443,088 S *	5/2001	Skidmore et al.	D26/40
D483,892 S *	12/2003	Poon	D26/40
D485,928 S *	1/2004	Leung et al.	D26/40
D486,934 S *	2/2004	Leung et al.	D26/40
D509,921 S *	9/2005	Lam	D26/40
D542,953 S *	5/2007	Lee	D26/40

1 Claim, 5 Drawing Sheets

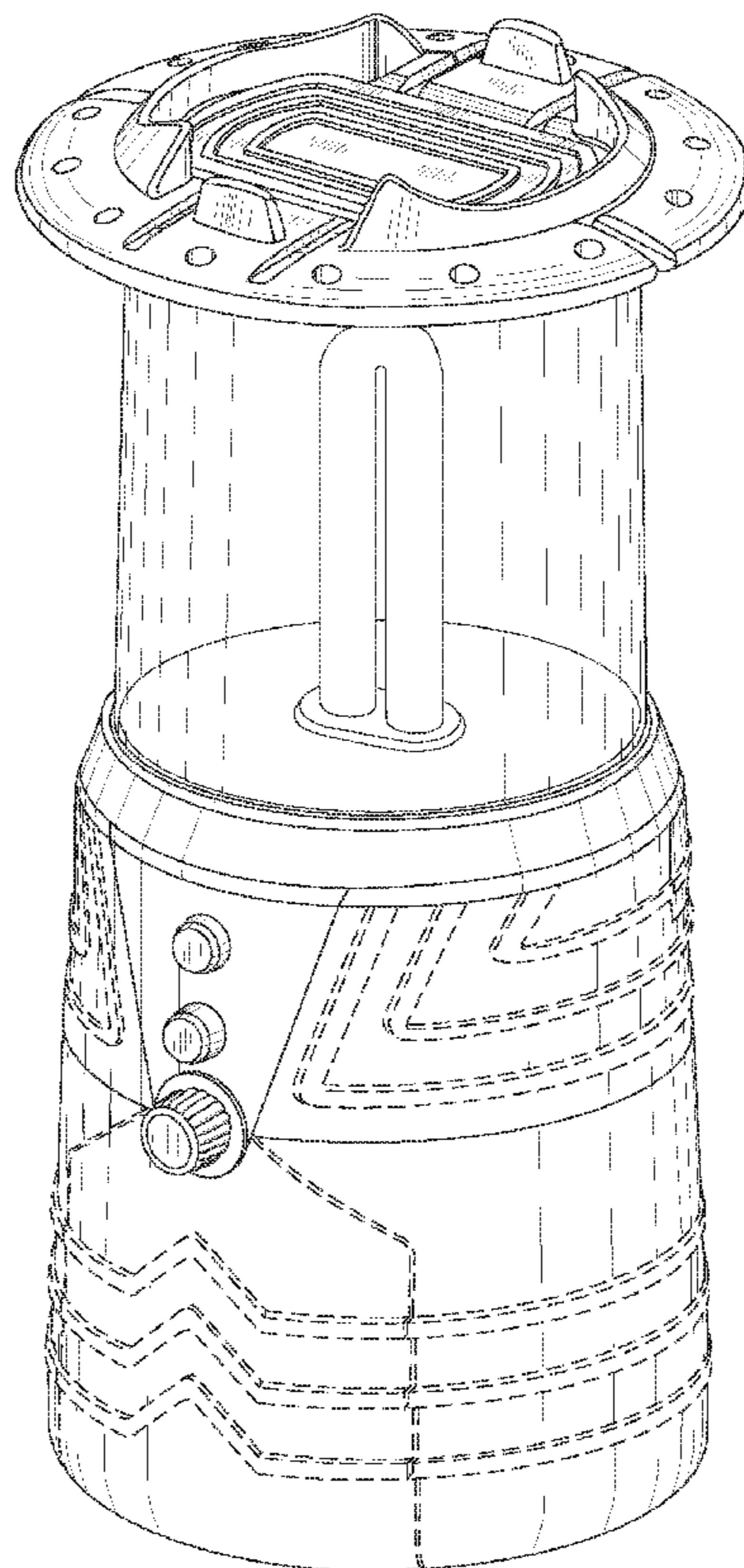


FIG. 1

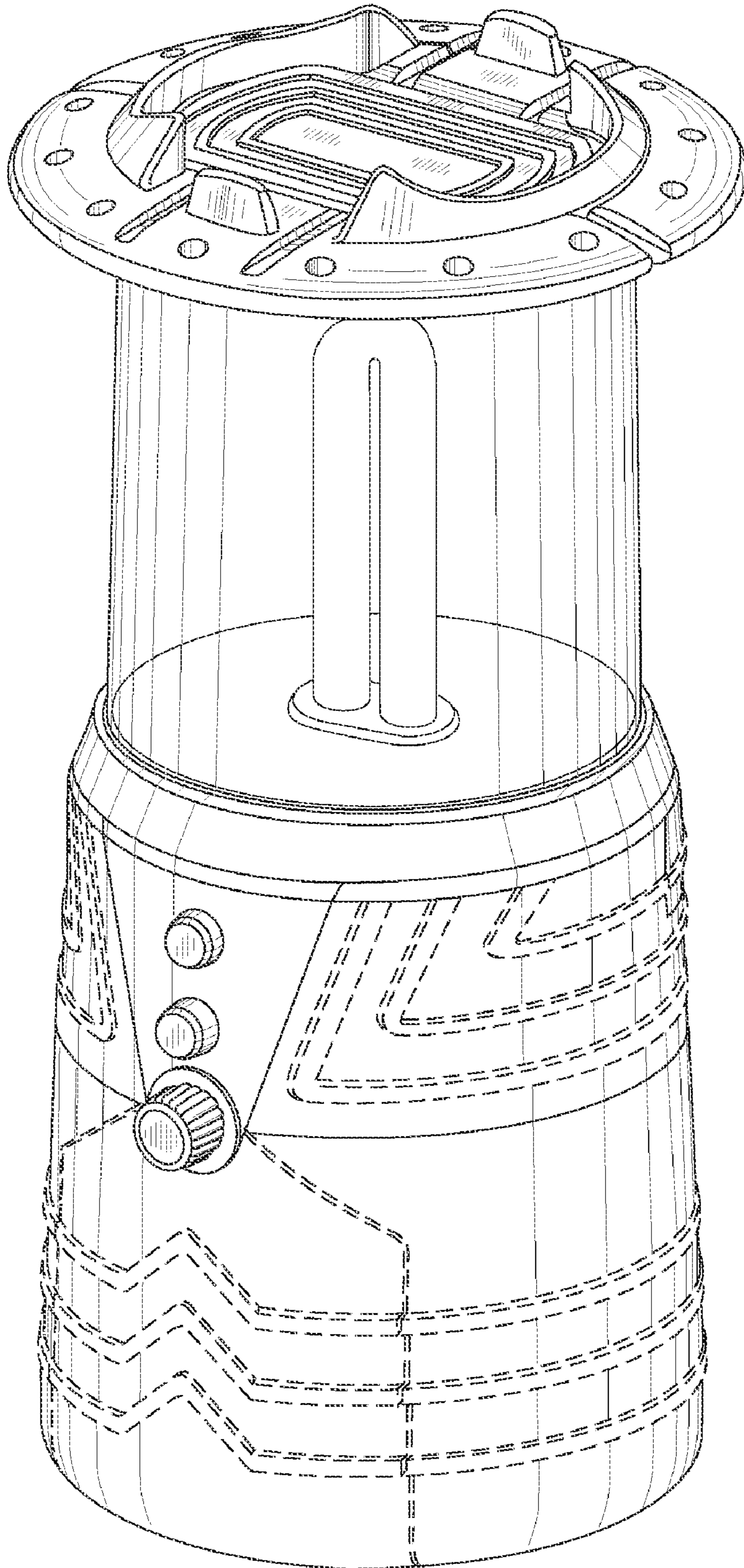


FIG. 2

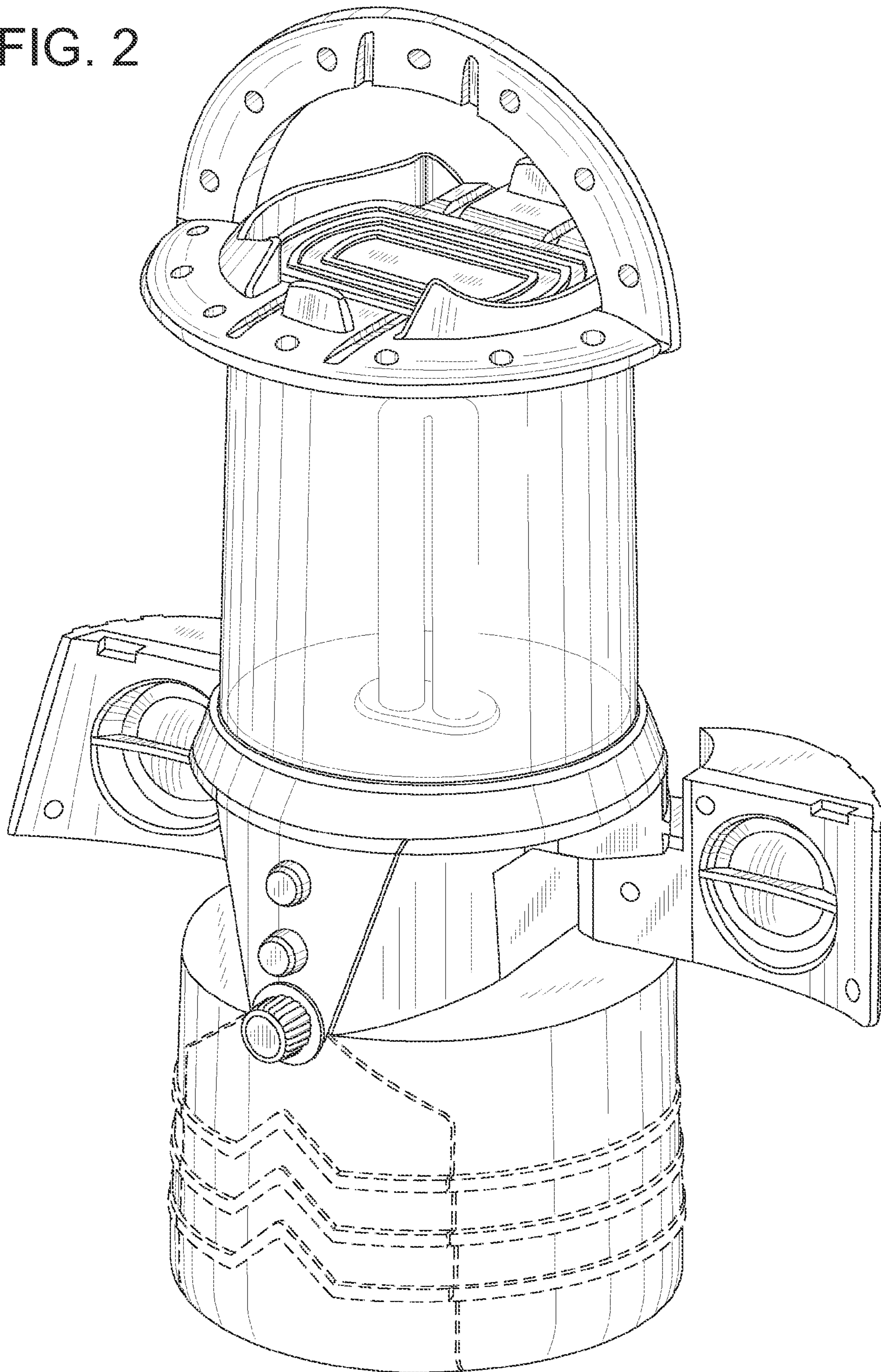


FIG. 3

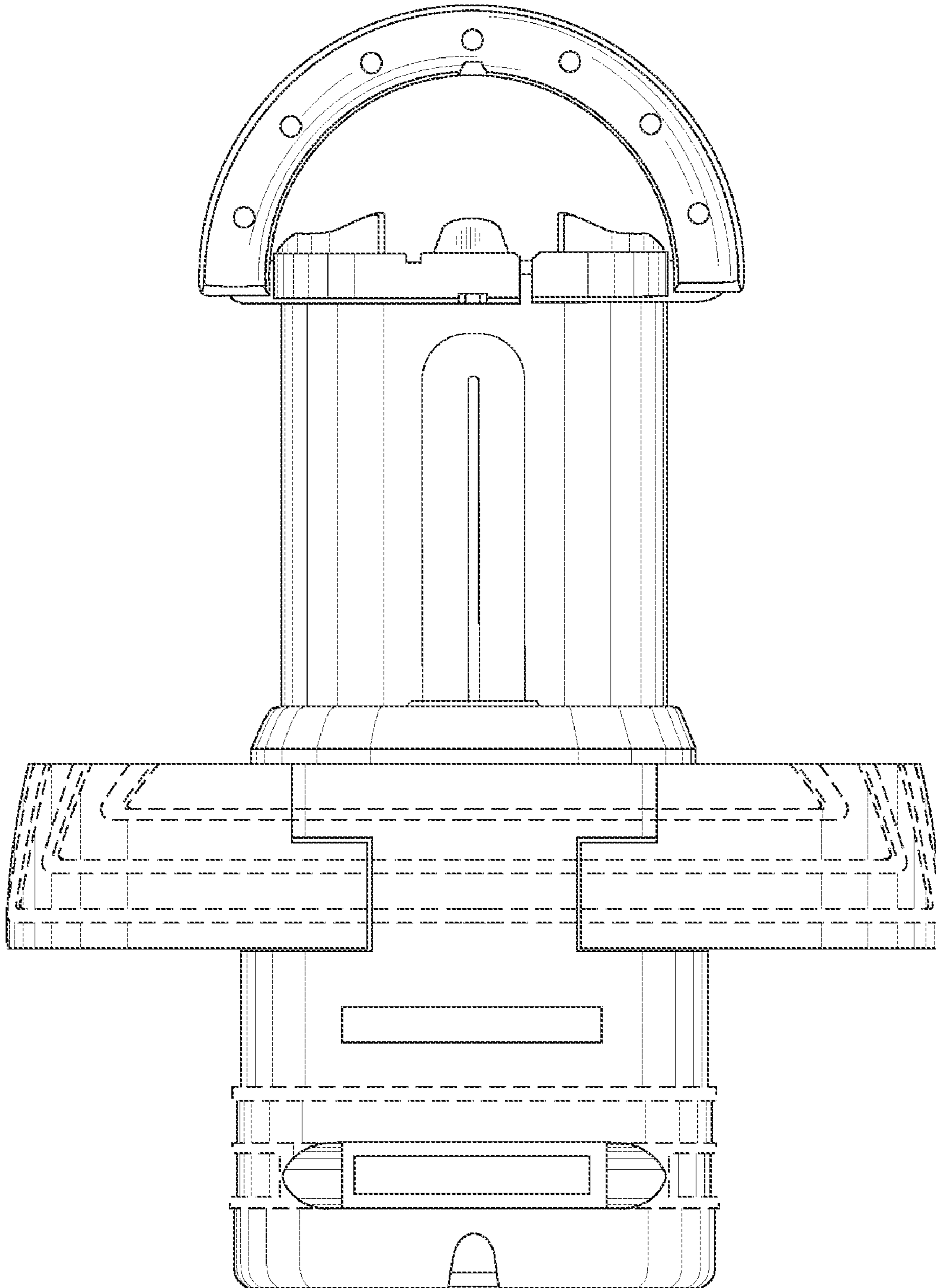


FIG. 4

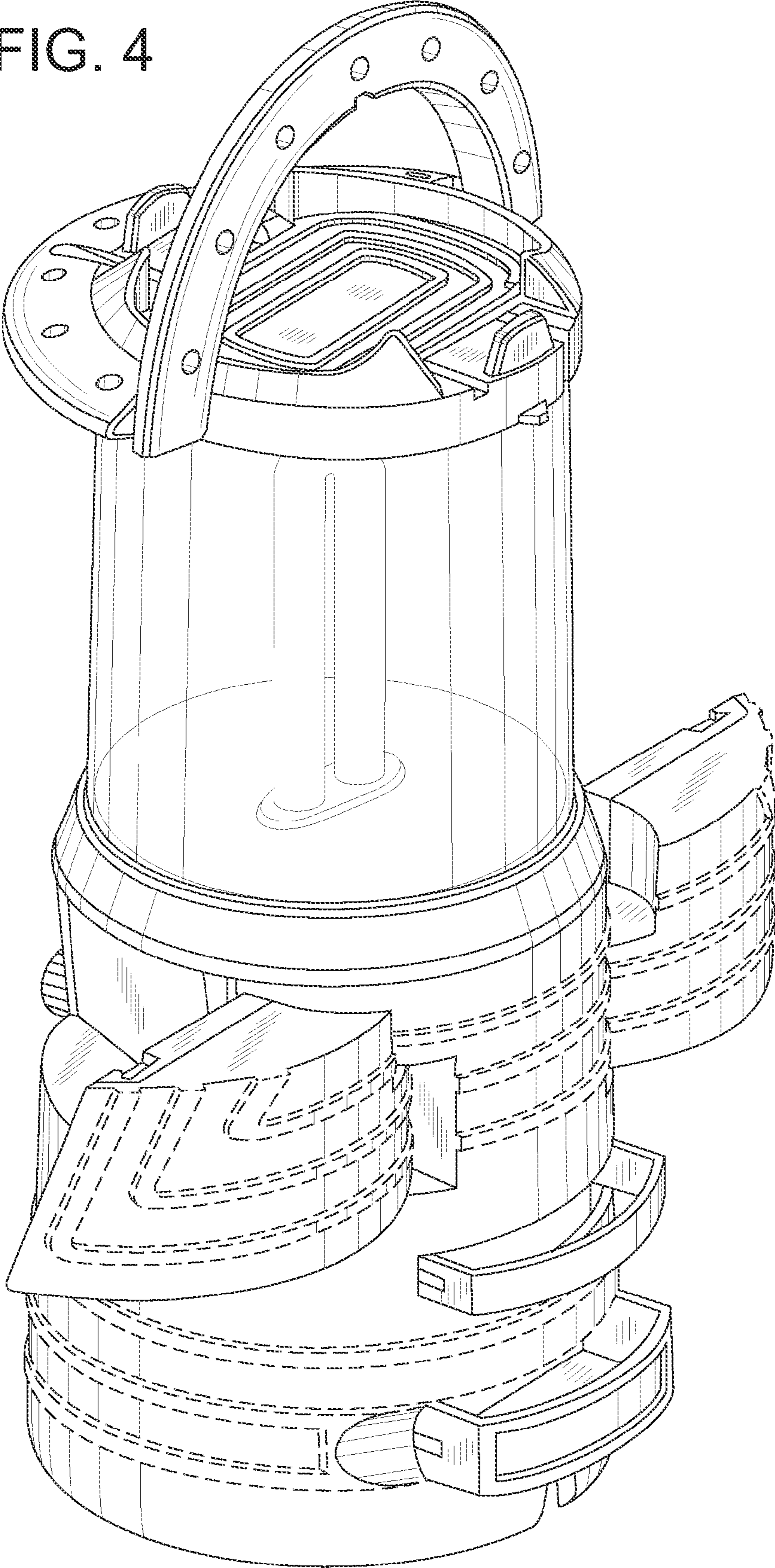


FIG. 6

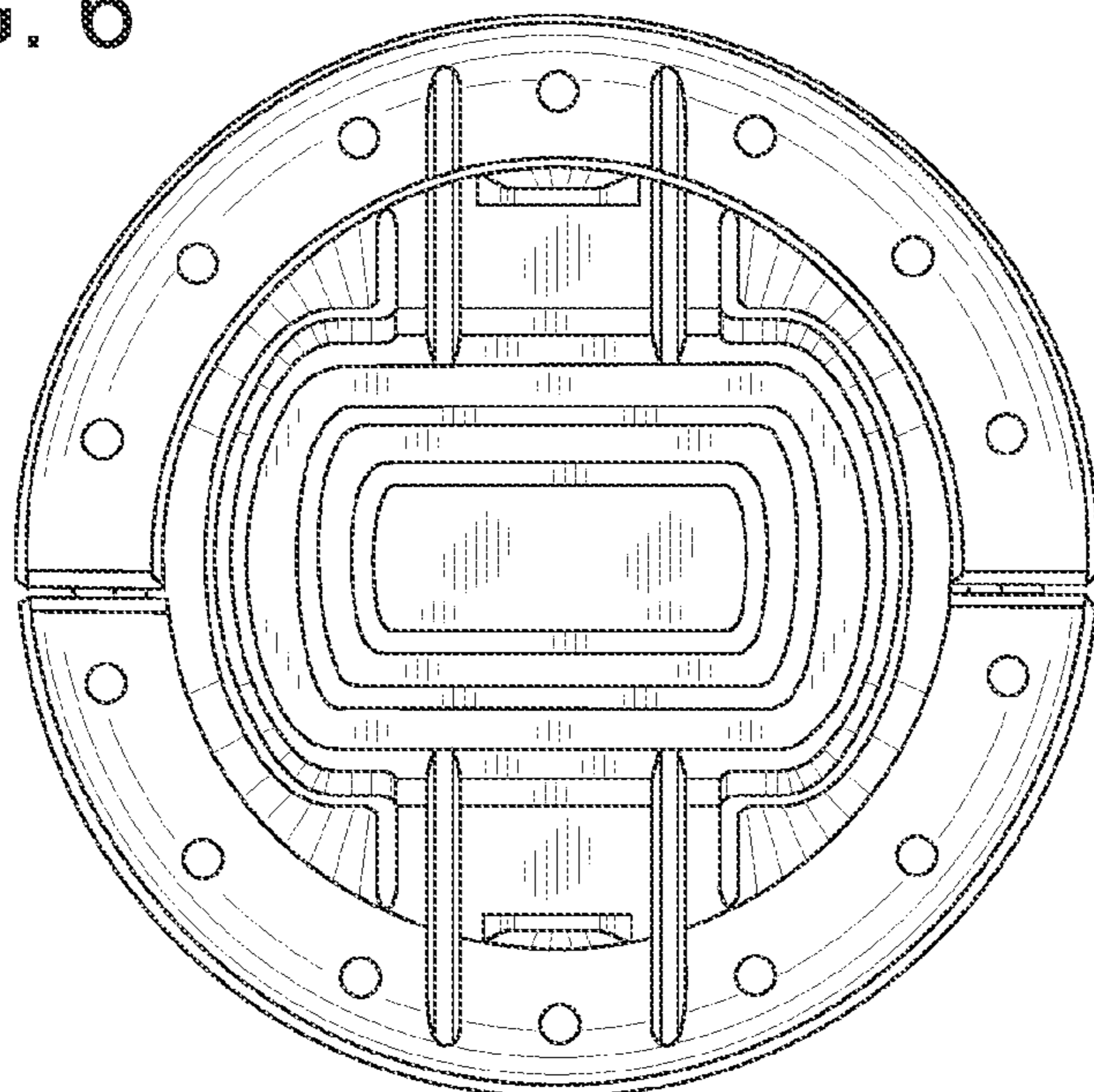


FIG. 5

