



US00D611629S

(12) **United States Design Patent**
Sharrah et al.

(10) **Patent No.:** **US D611,629 S**
(45) **Date of Patent:** **** Mar. 9, 2010**

(54) **PORTABLE LIGHT**

D445,931 S 7/2001 Shiu

(Continued)

(75) Inventors: **Raymond L. Sharrah**, Collegeville, PA (US); **Matthew B. Dalton**, Elkins Park, PA (US)

OTHER PUBLICATIONS

Streamlight, "Argo Luxeon Headlamp," http://www.streamlight.com/argo_info.htm, Printed Oct. 18, 2004, 2 Pages.

(73) Assignee: **Streamlight, Inc.**, Eagleville, PA (US)

(Continued)

(**) Term: **14 Years**

Primary Examiner—Philip S Hyder
Assistant Examiner—Linda G. Brooks

(21) Appl. No.: **29/336,433**

(74) *Attorney, Agent, or Firm*—Clement A. Berard, Esq.; Dann, Dorfman, Herrell & Skillman, PC

(22) Filed: **May 4, 2009**

(51) **LOC (9) Cl.** **26-02**

(57) **CLAIM**

(52) **U.S. Cl.** **D26/39**

(58) **Field of Classification Search** D26/37-50,
D26/60-66; 362/98, 99, 157, 158, 183, 184,
362/187, 194-208, 103, 105, 107, 171-174,
362/253

The ornamental design for a portable light, substantially as shown and described.

See application file for complete search history.

DESCRIPTION

(56) **References Cited**

U.S. PATENT DOCUMENTS

D221,895 S	9/1971	Angibaud	
D296,827 S	7/1988	Yuen	
D324,430 S	3/1992	Sharrah et al.	
D328,144 S	7/1992	Yuen	
D335,715 S	5/1993	Wan	
D344,358 S	2/1994	Yuen	
D349,776 S	8/1994	Yuen	
D367,087 S	2/1996	Mathews	
D368,145 S	3/1996	Smith	
D380,858 S	7/1997	Sharrah et al.	
D381,812 S	8/1997	Sharrah et al.	
D405,202 S *	2/1999	Fattori et al.	D26/39
D413,993 S	9/1999	Yuen	
D425,642 S	5/2000	Zeller	
D435,922 S	1/2001	Shing	
D445,929 S *	7/2001	Shing	D26/39

FIG. 1 is a perspective view of an ornamental design for a portable light;

FIG. 2 is a second perspective view of the ornamental design;

FIG. 3 is a side view of a first side of the ornamental design;

FIG. 4 is a side view of a second side of the ornamental design;

FIG. 5 is a side view of a third side of the ornamental design;

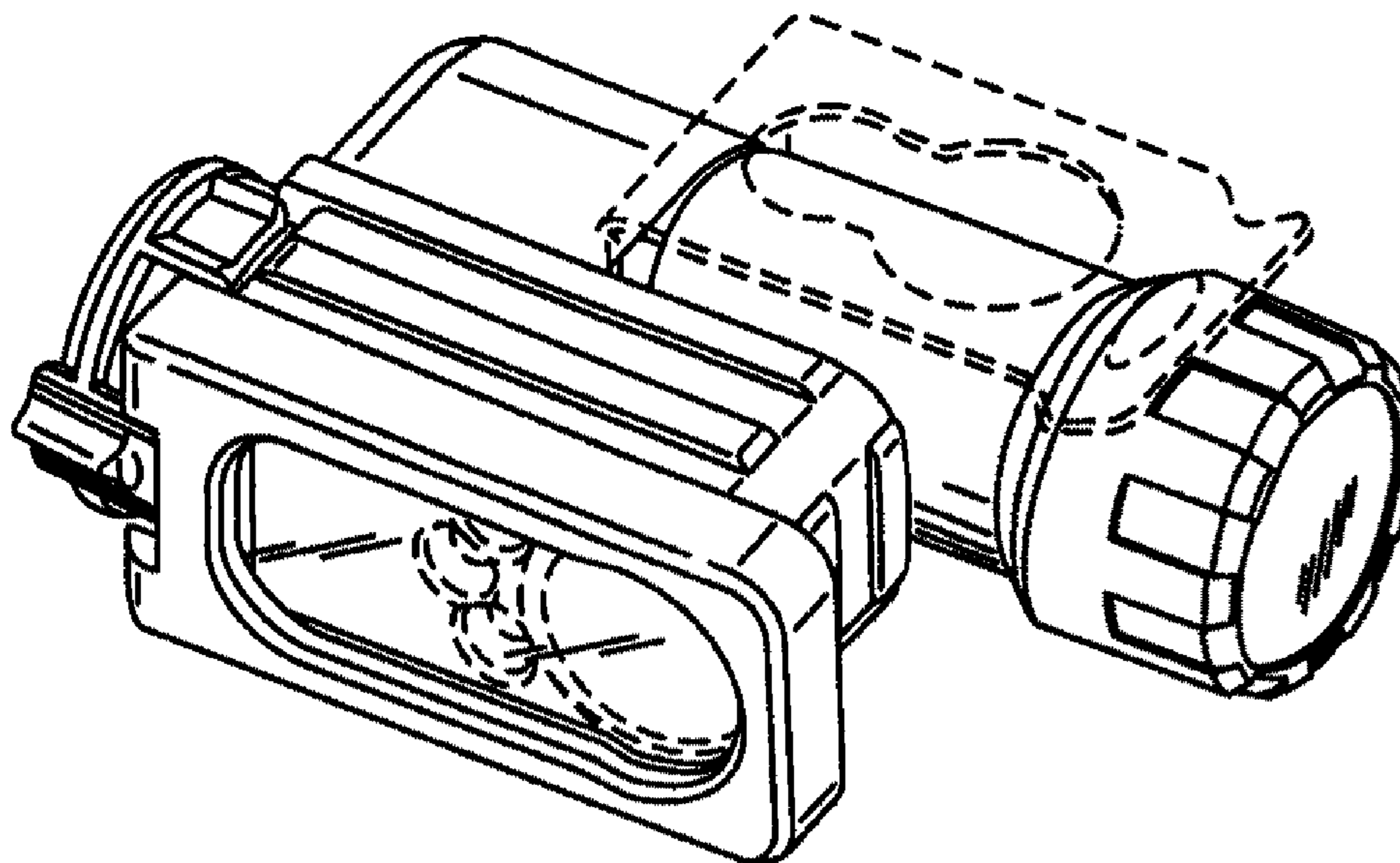
FIG. 6 is a side view of a fourth side of the ornamental design;

FIG. 7 is an end view of a first end of the ornamental design; and,

FIG. 8 is an end view of a second end of the ornamental design.

Broken lines in the drawing indicate unclaimed parts of the article and/or unclaimed environment that are not part of the design illustrated and claimed herein.

1 Claim, 4 Drawing Sheets



US D611,629 S

Page 2

U.S. PATENT DOCUMENTS

D447,587 S 9/2001 Poon
D470,615 S * 2/2003 Janice et al. D26/39
D482,472 S 11/2003 Shiu
D508,140 S 8/2005 Sharrah
D525,734 S * 7/2006 Shiao D26/39
D534,289 S * 12/2006 Shiu D26/39
D536,115 S * 1/2007 Shiu D26/39
D549,379 S 8/2007 Sharrah et al.
D553,277 S * 10/2007 Ho et al. D26/39
2008/0049433 A1 2/2008 Sharrah et al.

OTHER PUBLICATIONS

Streamlight, "Argo Luxeon Headlamp Specifications," http://www.streamlight.com/argo_spec.htm, Printed Oct. 18, 2004, 1 Page.

Streamlight, "Septor Information," http://www.streamlight.com/septor_info.htm, Printed Oct. 21, 2004, 2 Pages.

Streamlight, "Septor Specifications," http://www.streamlight.com/septor_spec.htm, Printed Oct. 21, 2004, 1 Page.

Streamlight, "Trident Information," http://www.streamlight.com/trident_info.htm, Printed Oct. 21, 2004, 2 Pages.

Streamlight, "Trident Specifications," http://www.streamlight.com/trident_spec.htm, Printed Oct. 21, 2004, 1 Page.

Streamlight, "New Trident/New Septor/New ClipMate," Led Technology Meets Streamlight Quality, Sep. 2002, Pamphlet. #990633.

Streamlight, "New Argo Luxeon LED Headlamp," Feb. 2004, Pamphlet.: #990661.

* cited by examiner

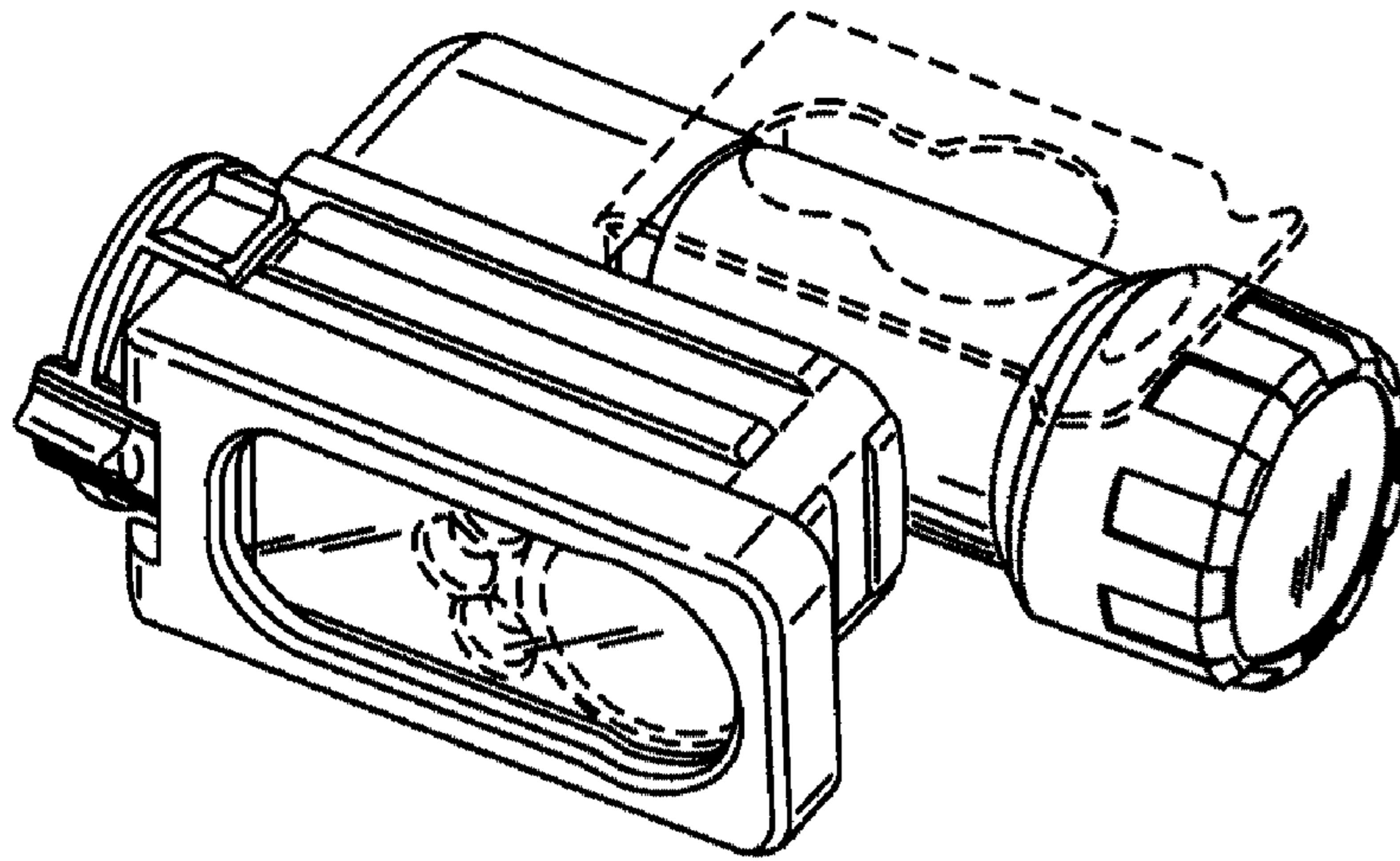


Fig. 1

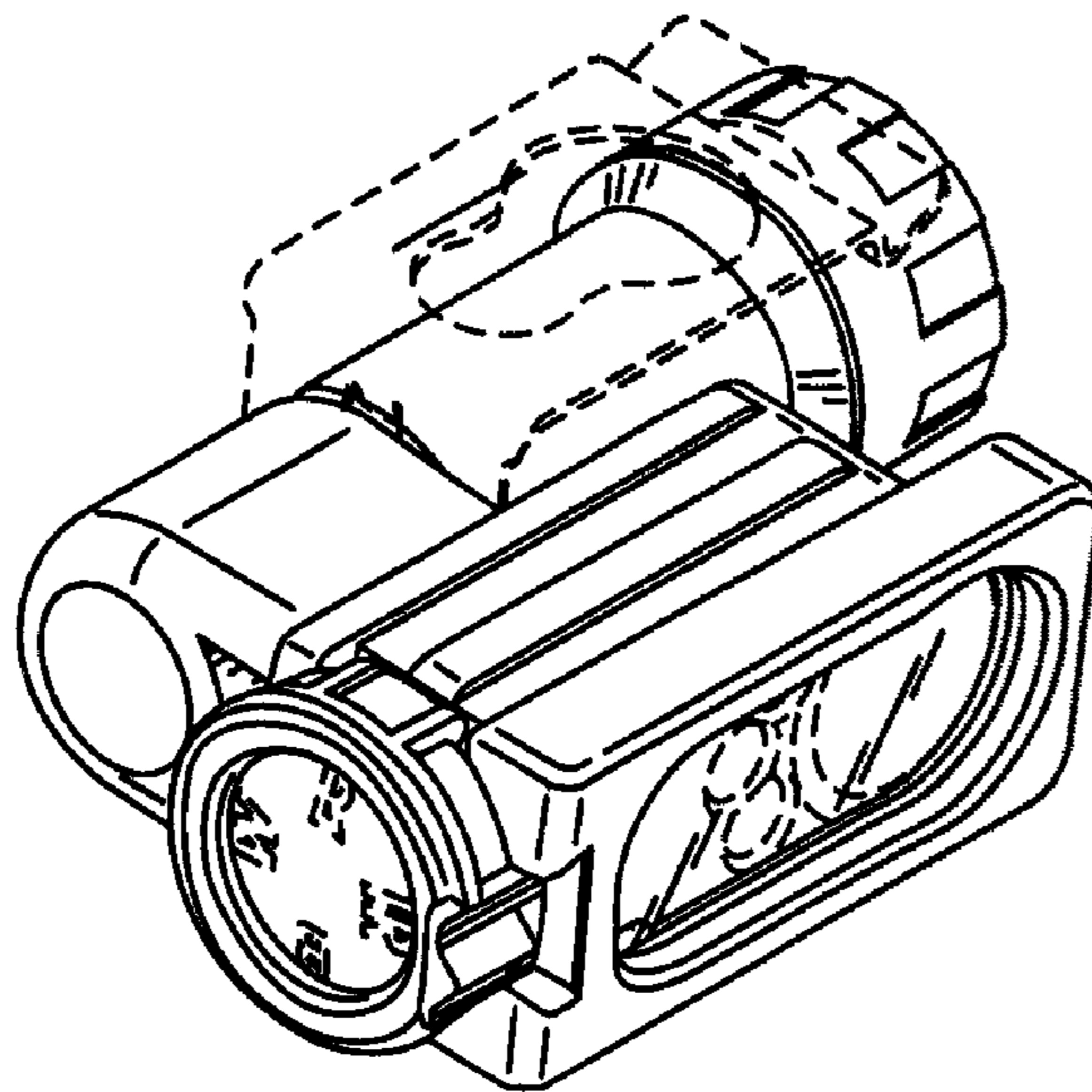


Fig. 2

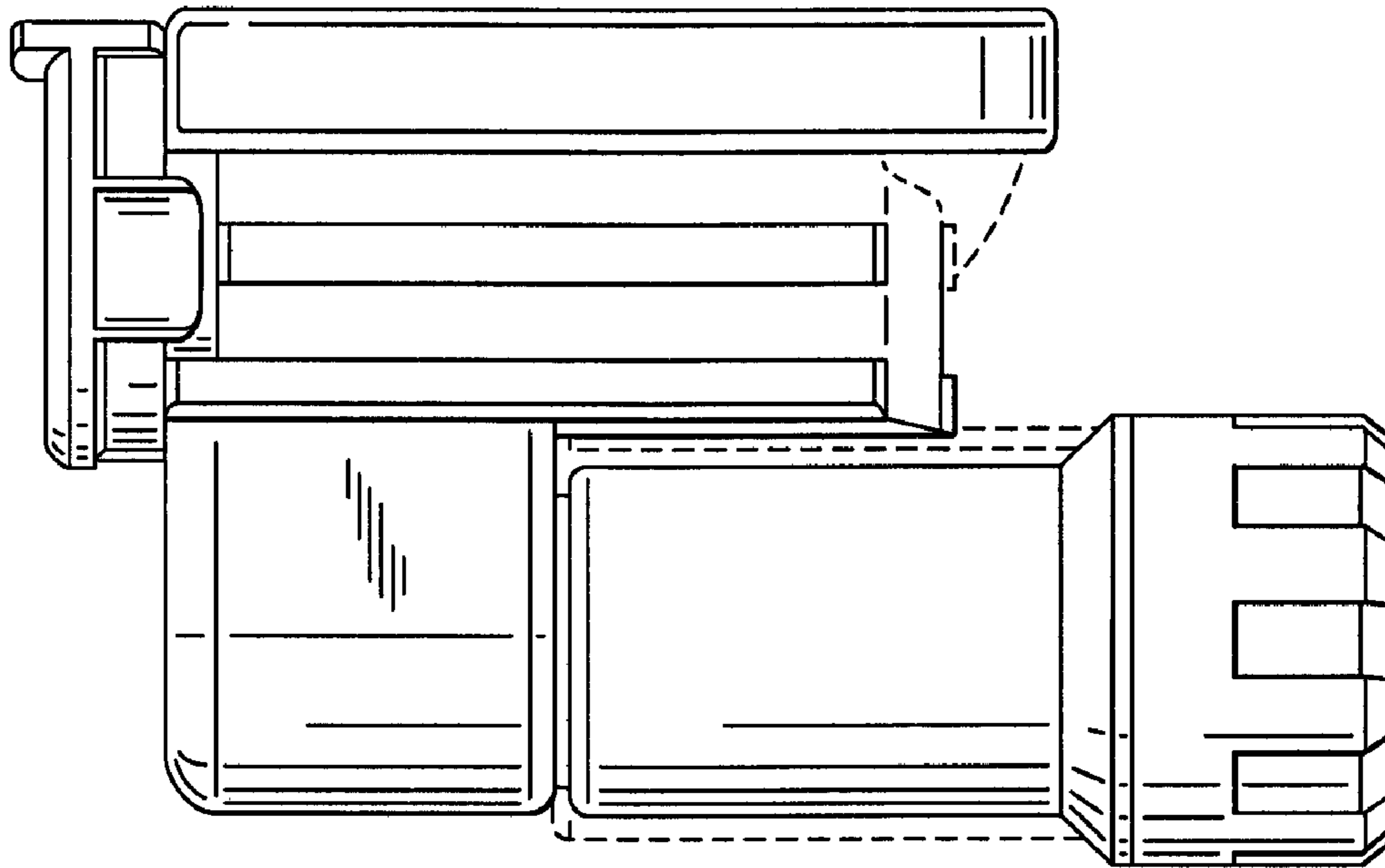


Fig. 3

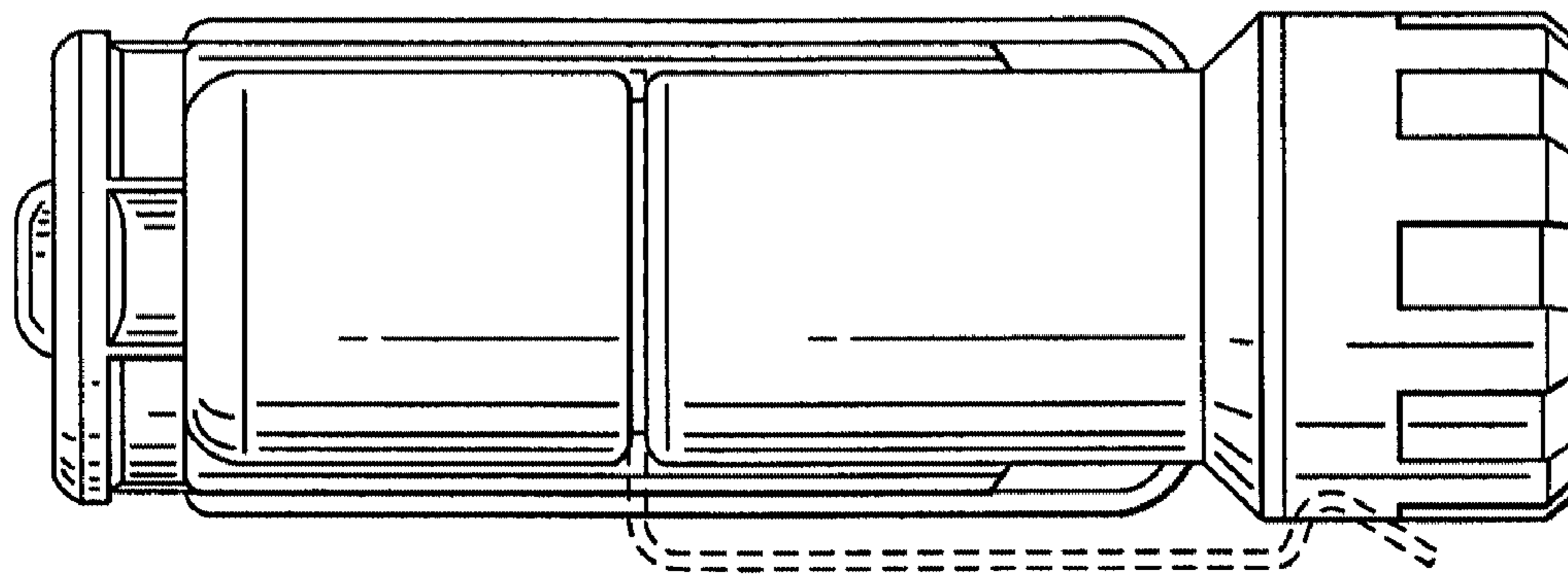


Fig. 4

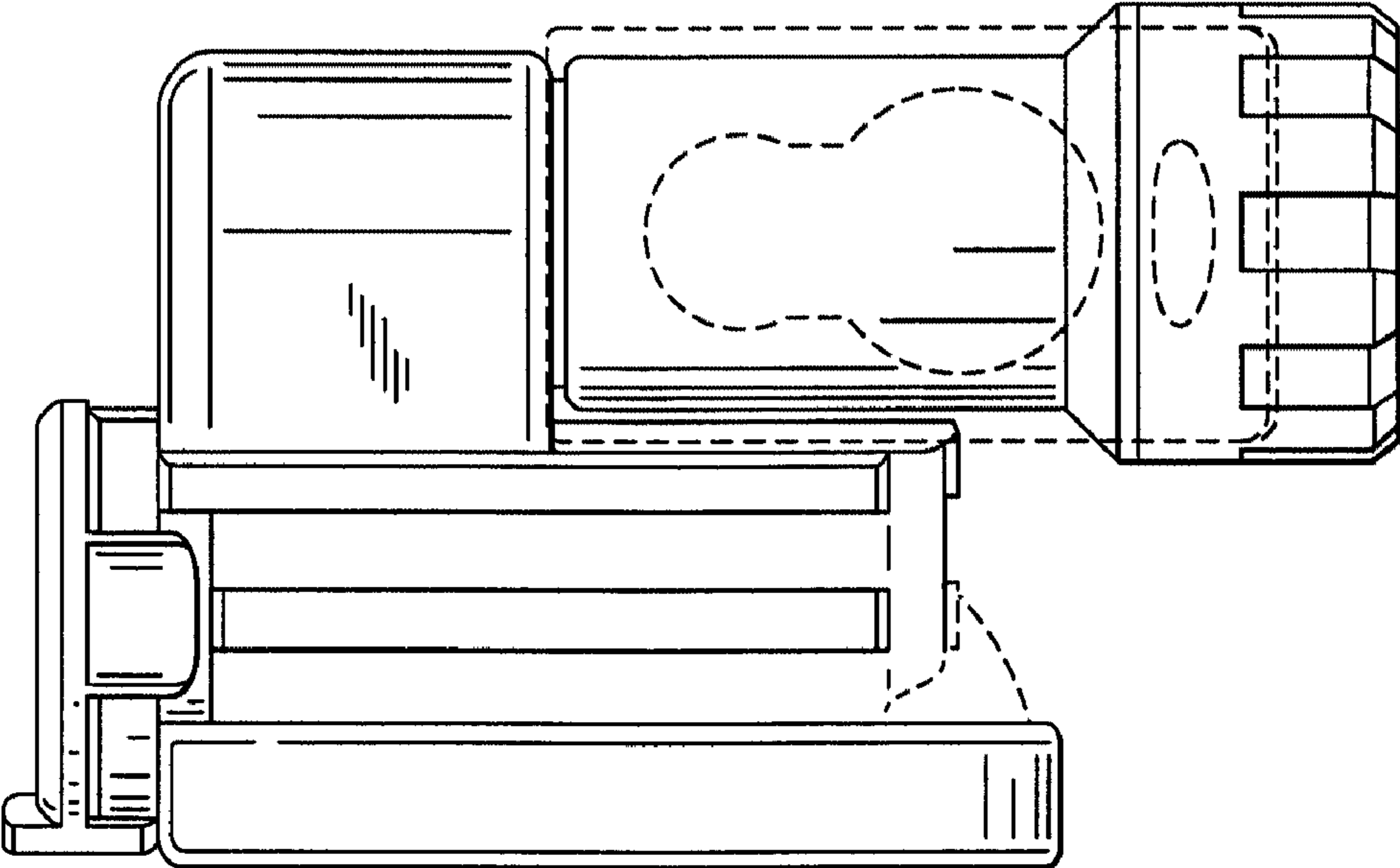


Fig. 5

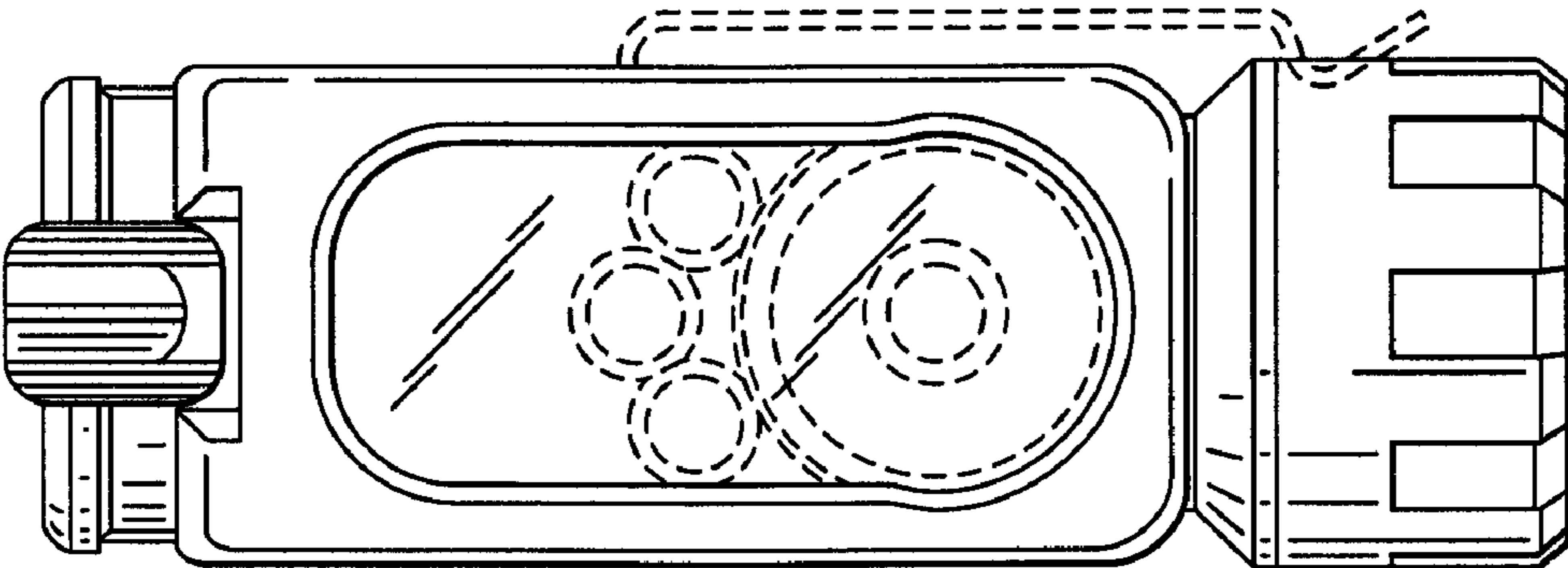


Fig. 6

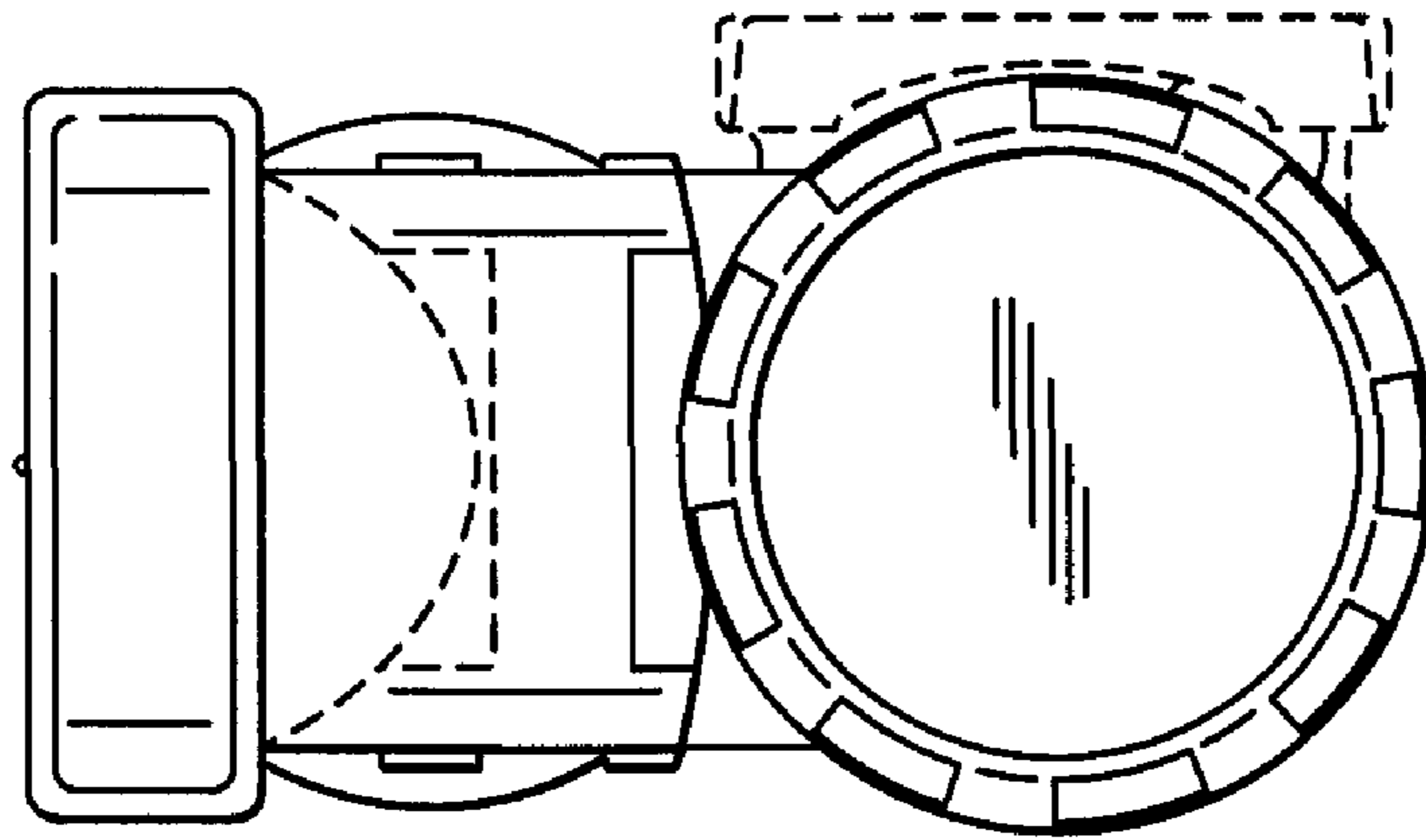


Fig. 7

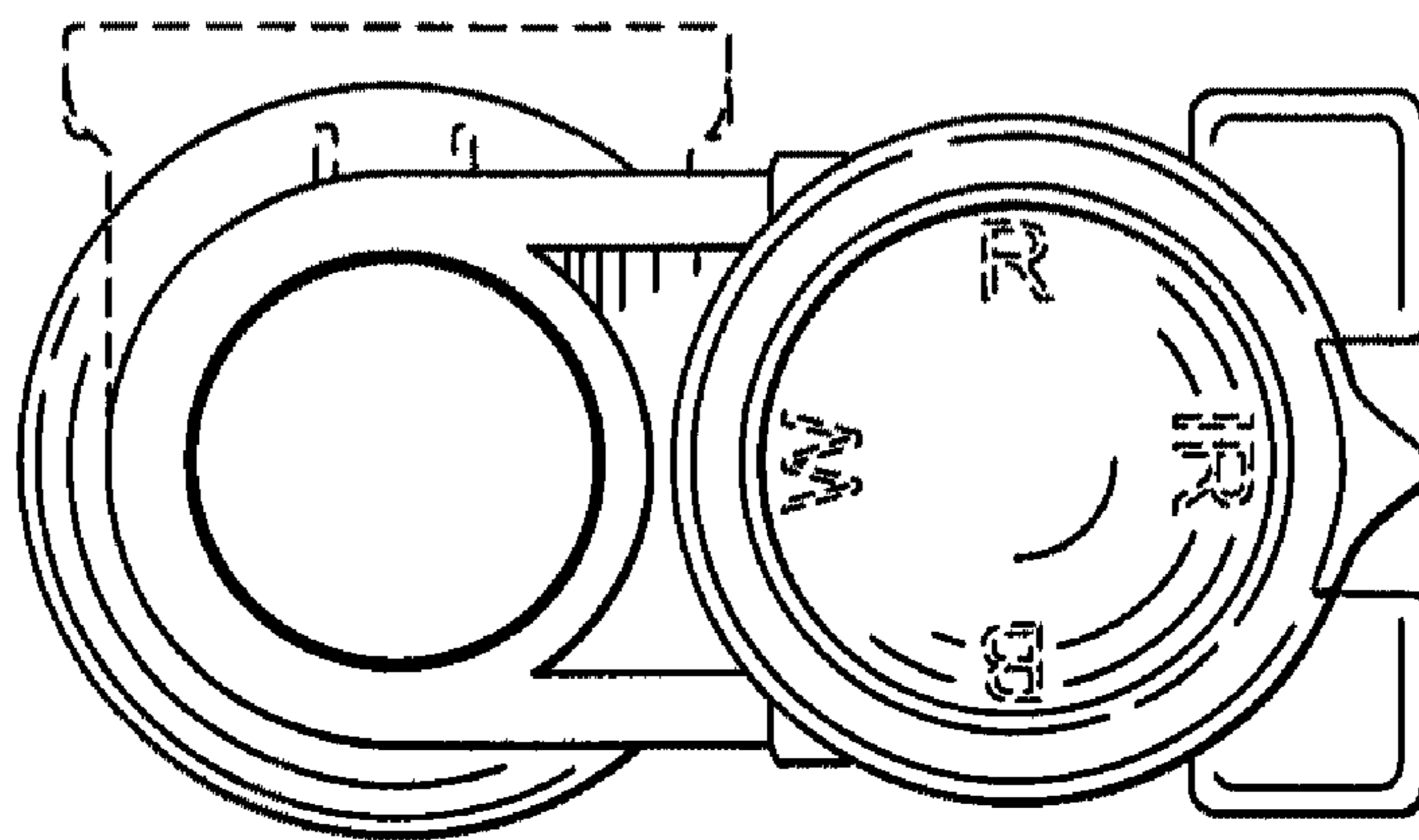


Fig. 8