



US00D611628S

(12) **United States Design Patent**  
**Uemoto et al.**

(10) **Patent No.:** **US D611,628 S**  
(45) **Date of Patent:** **\*\* \*Mar. 9, 2010**

(54) **LIGHTING APPARATUS**

(75) Inventors: **Takaari Uemoto**, Kadoma (JP); **Keiji Nishimoto**, Kadoma (JP); **Yasuharu Ueno**, Kadoma (JP); **Satoshi Shida**, Kadoma (JP); **Yuji Omata**, Kadoma (JP)

(73) Assignee: **Panasonic Corporation**, Osaka (JP)

(\*) Notice: This patent is subject to a terminal disclaimer.

(\*\*) Term: **14 Years**

(21) Appl. No.: **29/270,341**

(22) Filed: **Dec. 19, 2006**

(30) **Foreign Application Priority Data**

Jun. 20, 2006	(JP)	.....	2006-015918
Jun. 20, 2006	(JP)	.....	2006-015919
Jun. 20, 2006	(JP)	.....	2006-015920

(51) **LOC (9) Cl.** ..... **26-04**

(52) **U.S. Cl.** ..... **D26/24; D26/1**

(58) **Field of Classification Search** ..... D26/24,  
D26/1, 2, 3, 113, 120; D13/180, 182; 362/612,  
362/555, 257, 800; 313/500; 257/82, 83,  
257/433

See application file for complete search history.

(56) **References Cited**

**U.S. PATENT DOCUMENTS**

7,101,061	B2 *	9/2006	Nagai et al.	.....	362/294
D560,293	S *	1/2008	Uemoto et al.	.....	D26/37
D565,208	S *	3/2008	Uemoto et al.	.....	D26/24
D565,753	S *	4/2008	Uemoto et al.	.....	D26/24
D565,754	S *	4/2008	Uemoto et al.	.....	D26/24
D565,755	S *	4/2008	Uemoto et al.	.....	D26/24
D565,756	S *	4/2008	Uemoto et al.	.....	D26/24
D568,500	S *	5/2008	Uemoto et al.	.....	D26/24

D572,387	S *	7/2008	Uemoto et al.	.....	D26/24
D573,553	S *	7/2008	Uemoto et al.	.....	D13/180
D573,730	S *	7/2008	Uemoto et al.	.....	D26/24
D586,764	S *	2/2009	Uemoto et al.	.....	D13/180
2004/0016932	A1 *	1/2004	Kondo	.....	257/80
2004/0223328	A1 *	11/2004	Lee et al.	.....	362/249
2007/0023769	A1 *	2/2007	Nishimoto et al.	.....	257/88

**FOREIGN PATENT DOCUMENTS**

JP 2003-124528 4/2003

**OTHER PUBLICATIONS**

Uemoto et al., U.S. Design Application entitled "Lighting Apparatus," U.S. Appl. No. 29/270,316, filed Dec. 19, 2006.  
Uemoto et al., U.S. Design Application entitled "Lighting Apparatus," U.S. Appl. No. 29/270,326, filed Dec. 19, 2006.

\* cited by examiner

*Primary Examiner*—Jennifer Rivard

*Assistant Examiner*—Angela J Lee

(74) *Attorney, Agent, or Firm*—Brinks Hofer Gilson & Lione

(57) **CLAIM**

We claim the ornamental design for a lighting apparatus, as shown and described.

**DESCRIPTION**

FIG. 1 is a top perspective view of a lighting apparatus of the present invention;

FIG. 2 is a front view thereof, the rear view being a mirror image thereof;

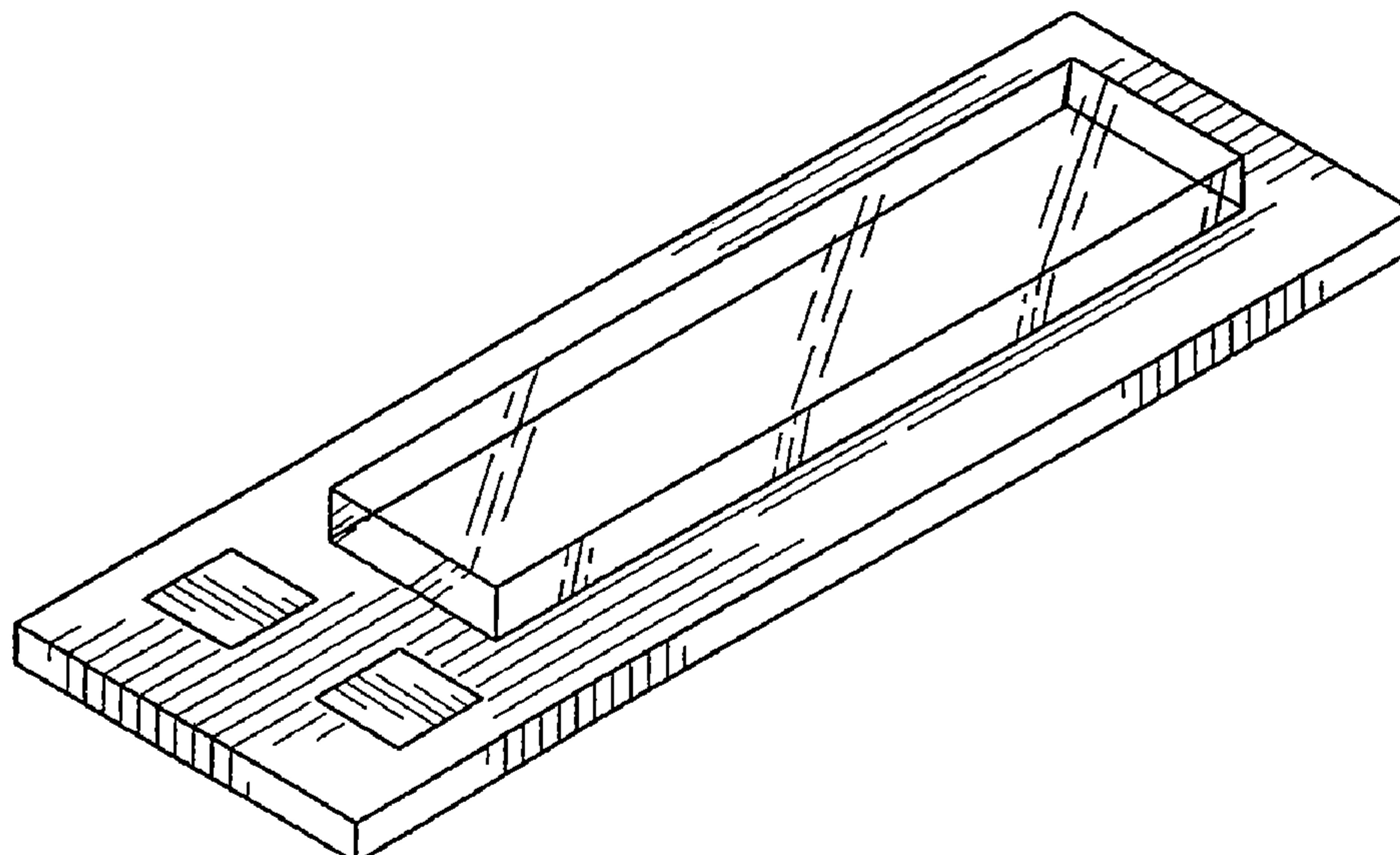
FIG. 3 is a left side view thereof, the right side view being a mirror image thereof;

FIG. 4 is a top view thereof; and,

FIG. 5 is a bottom view thereof.

A rectangular elevation on a substrate is transparent and thus light comes through. Two squares are electrodes.

**1 Claim, 2 Drawing Sheets**



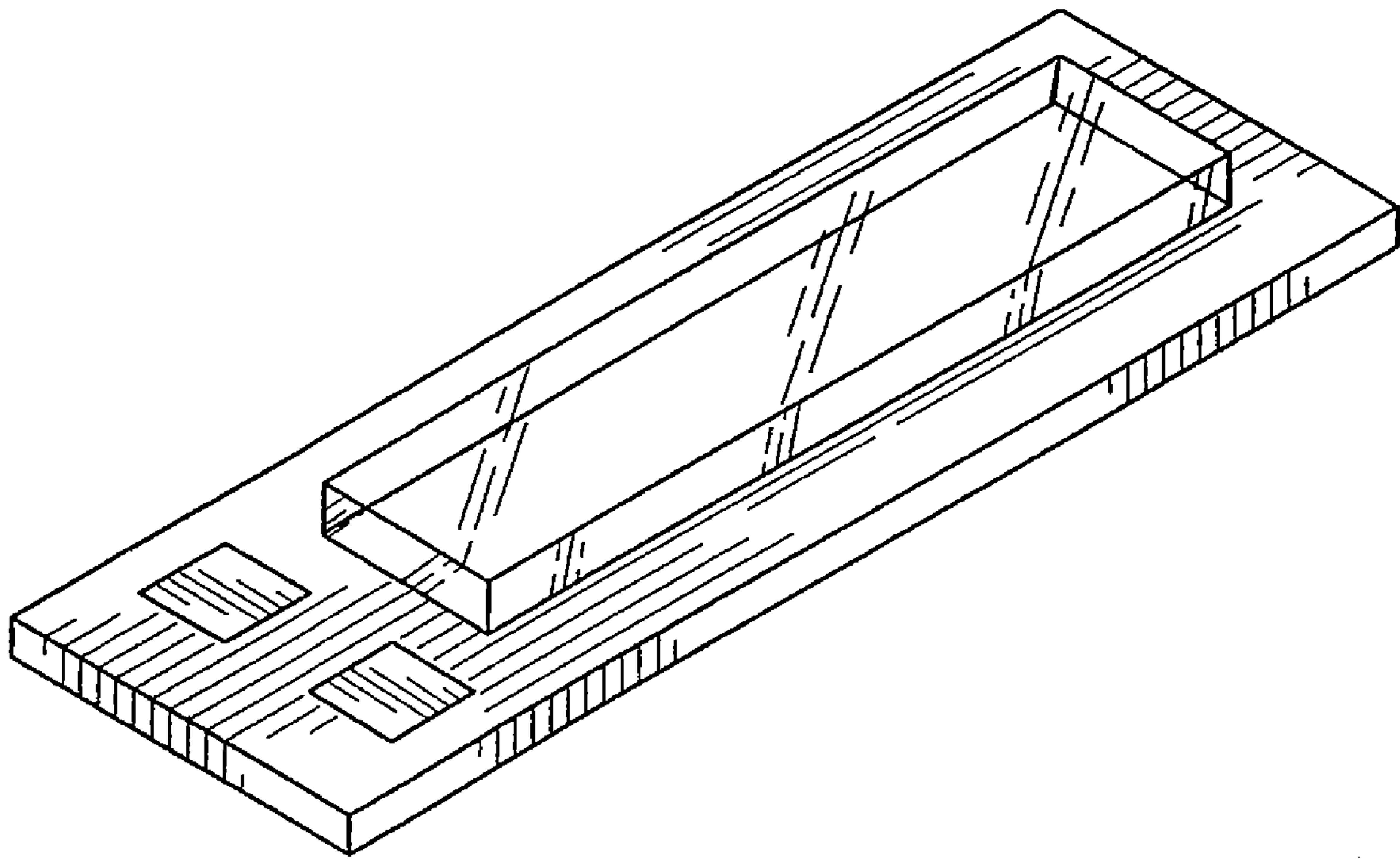


FIG. 1

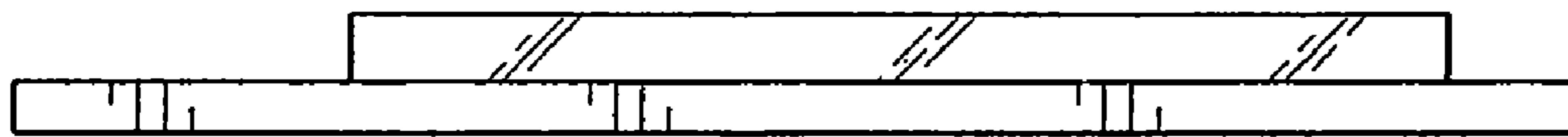


FIG. 2

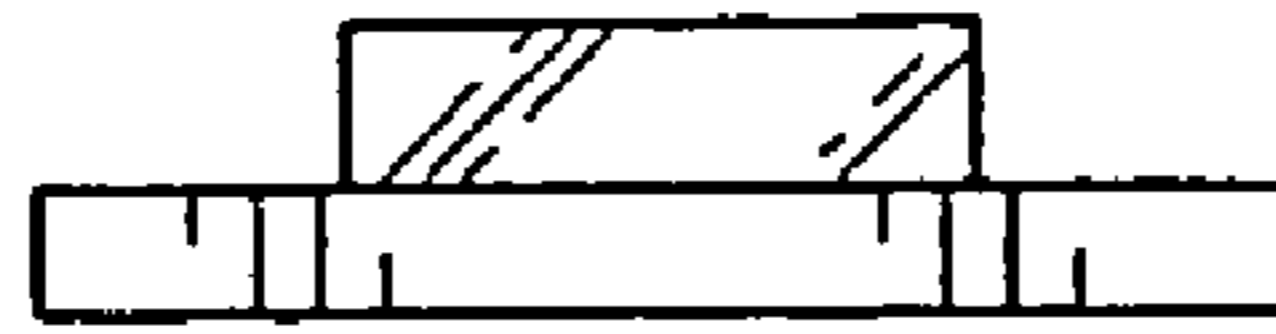


FIG. 3

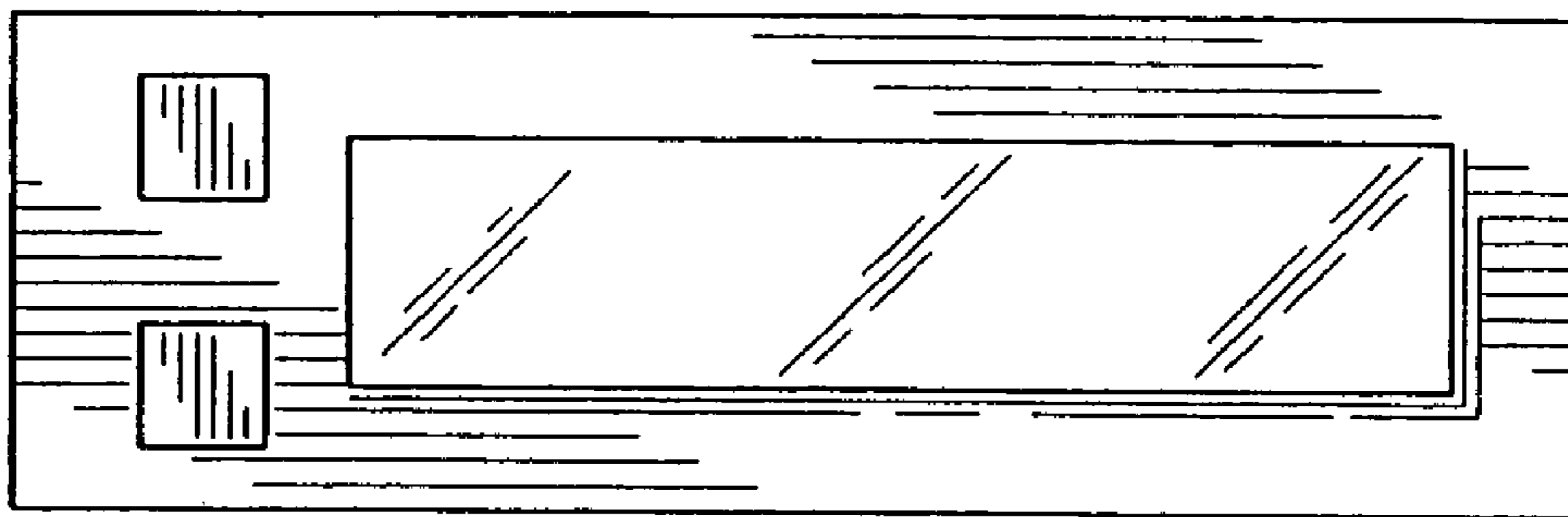


FIG. 4

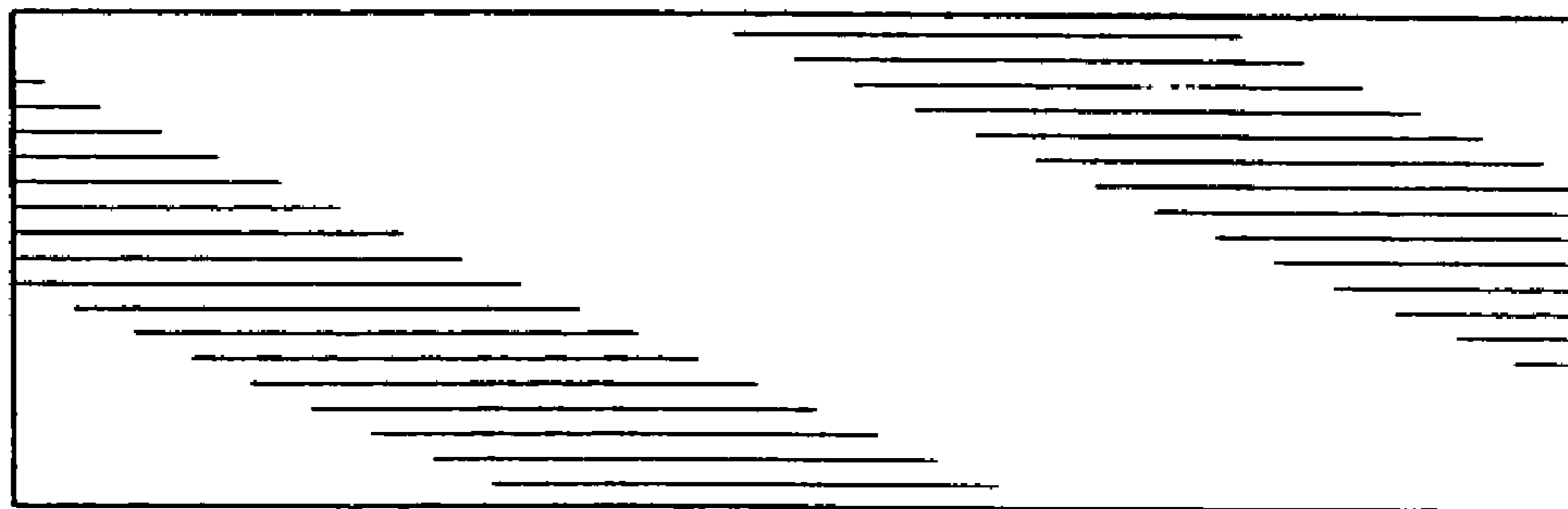


FIG. 5