



US00D611616S

(12) **United States Design Patent**
Canham et al.

(10) **Patent No.:** **US D611,616 S**
(45) **Date of Patent:** **** Mar. 9, 2010**

(54) **STABILIZING SCAFFOLDING FRAME MEMBER**

(75) Inventors: **Luke Canham**, 26 Burrundulla Ave, Mudgee, NSW 2850 (AU); **Peter Hartnett**, Via Mudgee (AU)

(73) Assignee: **Luke Canham**, Mudgee (AU)

(**) Term: **14 Years**

(21) Appl. No.: **29/330,223**

(22) Filed: **Dec. 31, 2008**

(30) **Foreign Application Priority Data**

Jul. 4, 2008 (AU) 13148/2008
Jul. 4, 2008 (AU) 13149/2008
Aug. 22, 2008 (AU) 2008904304

(51) **LOC (9) Cl.** **25-04**

(52) **U.S. Cl.** **D25/68**

(58) **Field of Classification Search** D25/68;
403/49, 170; 182/45, 128, 187
See application file for complete search history.

(56) **References Cited**

U.S. PATENT DOCUMENTS

D270,476 S * 9/1983 Black D25/68

6,004,063 A * 12/1999 Adams, Sr. 403/205
D422,091 S * 3/2000 Michelsen D25/68
2003/0175070 A1 * 9/2003 Booyesen et al. 403/231
2006/0237263 A1 * 10/2006 Gaines 182/113

OTHER PUBLICATIONS

www.roofrail.com.au; Roof Rails Australia—Guardrail Edge Protection.

www.hookonscaffolding.com.au; Hook-on Scaffolding.
www.adamhire.com.au; Construction Scaffolding and General Equipment Hire in Melbourne and Victoria (Austra

www.wallwalker.com; Wall Walker—Hanging scaffold with unlimited uses.

www.supersafescaffolds.com.au; Welcome to Super Safe Scaffolds.

* cited by examiner

Primary Examiner—Doris Clark

(74) *Attorney, Agent, or Firm*—Rankin Hill & Clark LLP

(57) **CLAIM**

The ornamental design for a stabilizing scaffolding frame member, as shown and described.

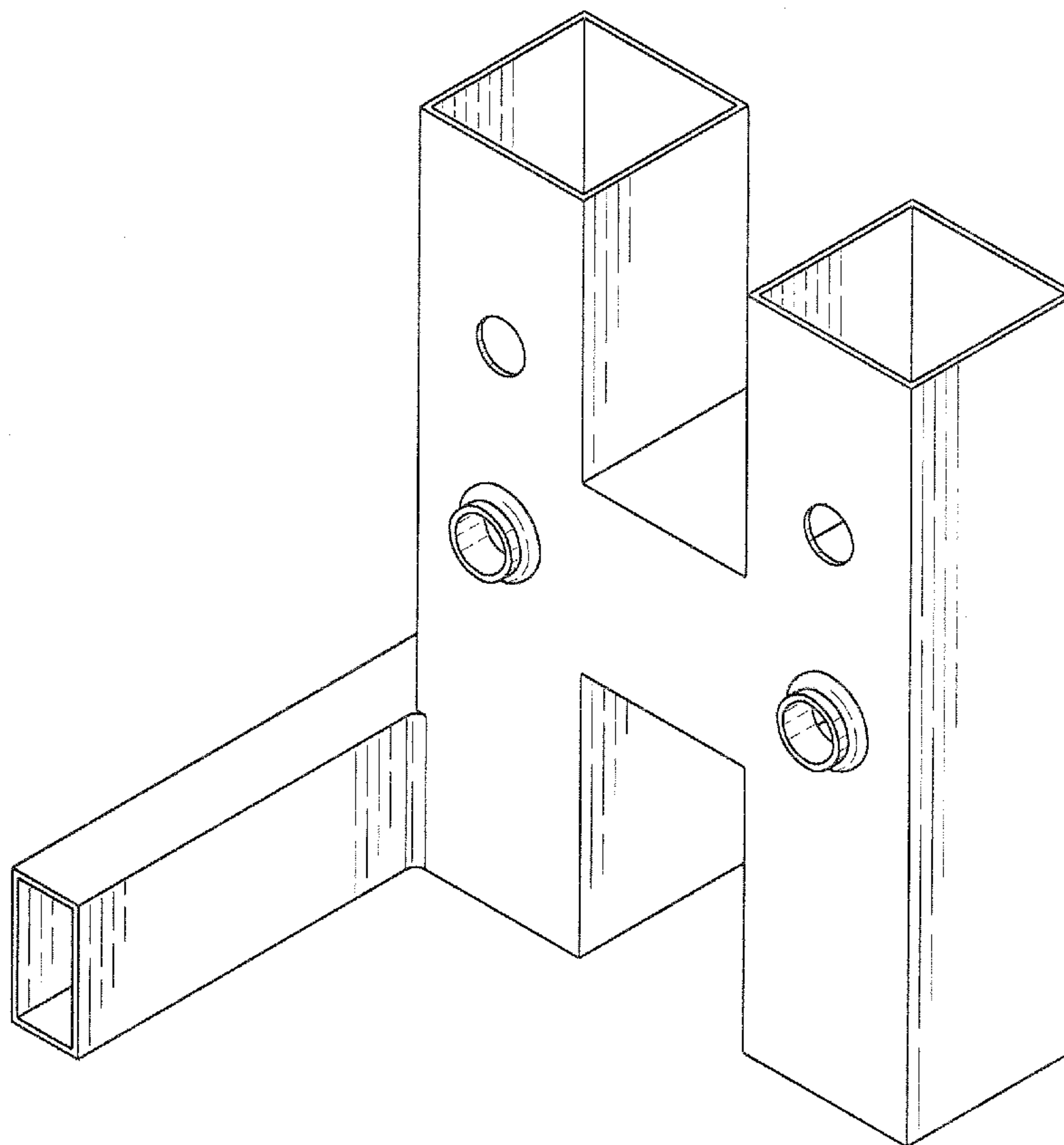
DESCRIPTION

FIG. 1 is a perspective view of a stabilizing scaffolding frame member illustrating our new design;

FIG. 2 is a right side elevational view thereof; and,

FIG. 3 is an underside plan view thereof.

1 Claim, 3 Drawing Sheets



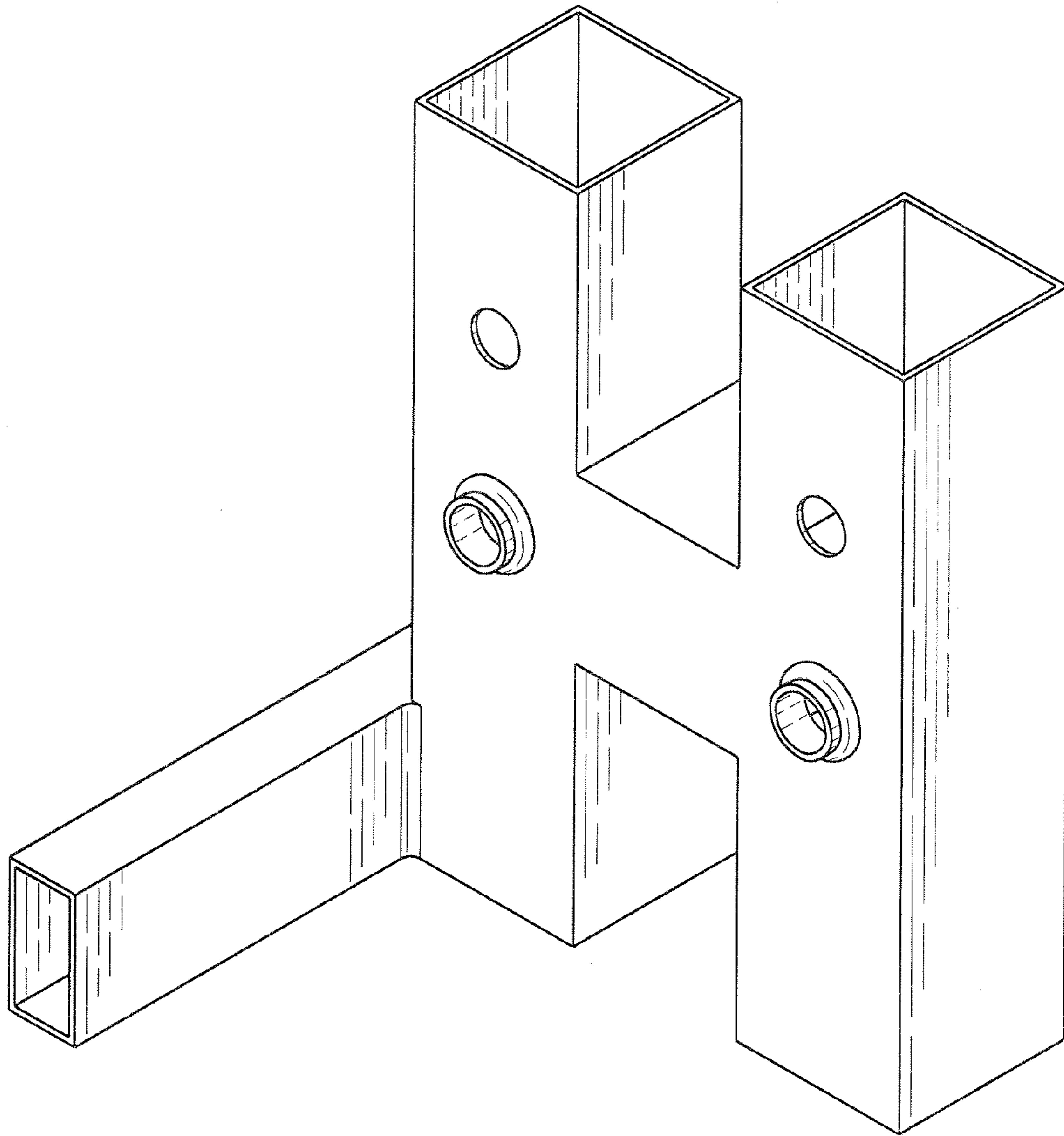


Fig. 1

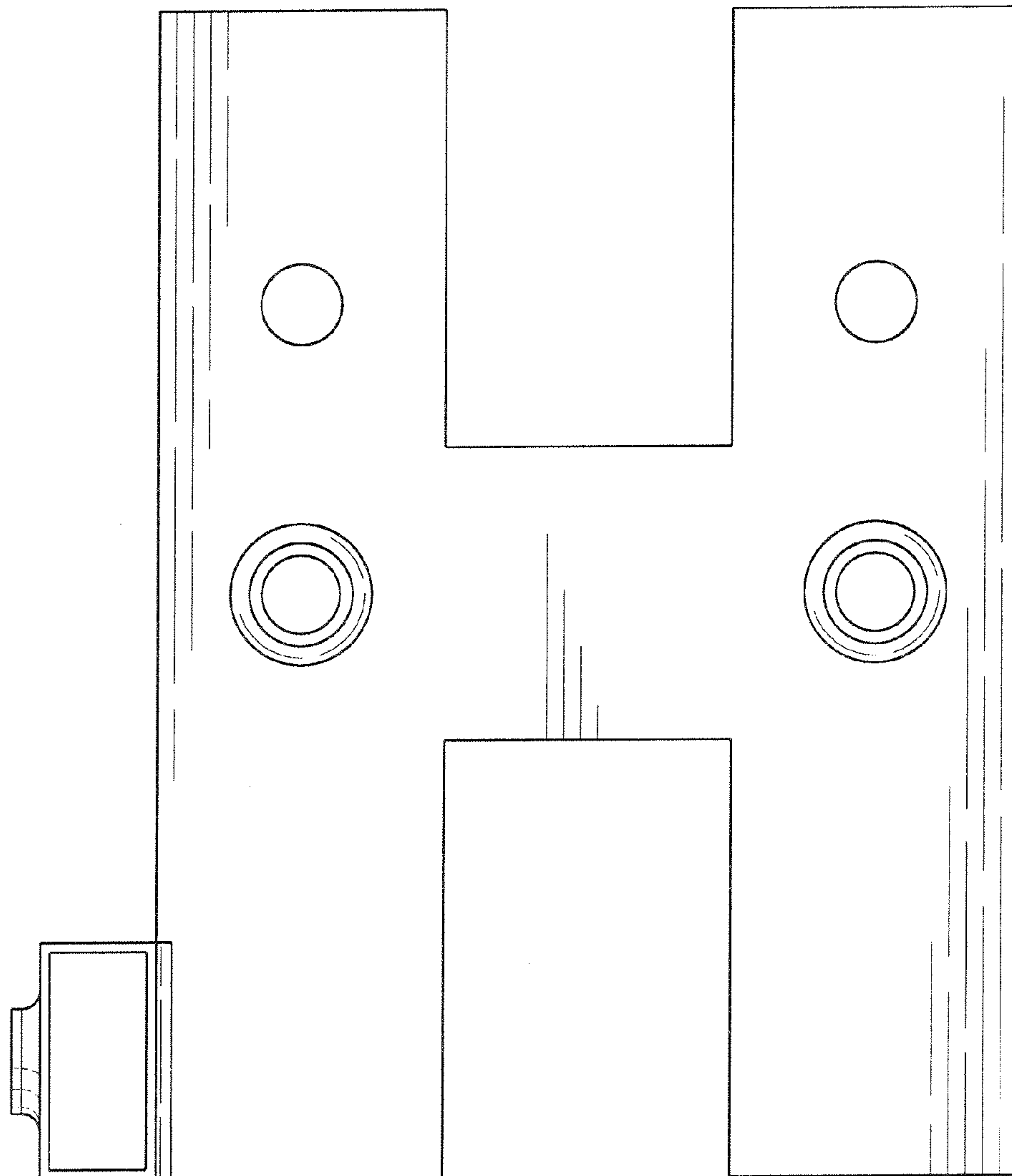


Fig. 2

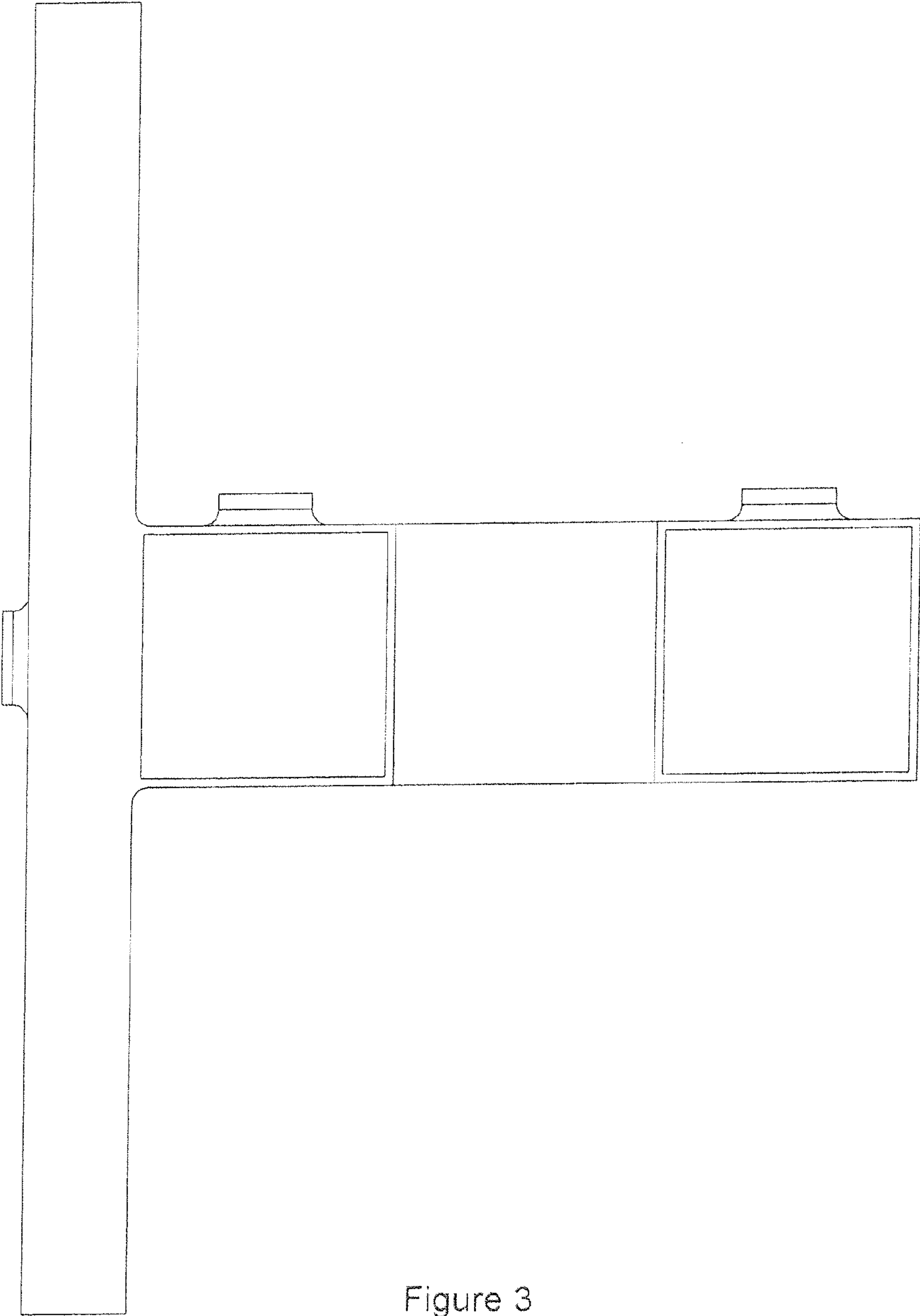


Figure 3