



US00D611610S

(12) **United States Design Patent**
Fleck et al.

(10) **Patent No.:** **US D611,610 S**
(45) **Date of Patent:** **** Mar. 9, 2010**

(54) **MEDICAL CART**

(75) Inventors: **Steven Fleck**, Carnegie, PA (US); **David Szakelyhidi**, Pittsburgh, PA (US); **Thomas Kubilius**, Mt. Lebanon, PA (US); **Zachary B. Beard**, Pittsburgh, PA (US); **Melissa R. Appel**, Pittsburgh, PA (US)

(73) Assignee: **ClearCount Medical Solutions, Inc.**, Pittsburgh, PA (US)

(**) Term: **14 Years**

(21) Appl. No.: **29/344,785**

(22) Filed: **Oct. 5, 2009**

Related U.S. Application Data

(63) Continuation of application No. 29/292,137, filed on Sep. 28, 2007, now Pat. No. Des. 603,048.

(51) **LOC (9) Cl.** **24-01**

(52) **U.S. Cl.** **D24/185**

(58) **Field of Classification Search** D24/107,
D24/164, 169, 172, 185-186, 234; D34/12-27;
D6/396, 407, 436, 449, 460; 280/47.18,
280/47.26, 47.34, 33.991, 33.992, 33.993;
600/300, 301, 368, 372, 437, 481, 529, 544,
600/554, 561; 248/282.1

See application file for complete search history.

(56) **References Cited**

U.S. PATENT DOCUMENTS

4,625,731 A 12/1986 Quedens et al.
D347,896 S 6/1994 Dickinson et al.
D367,534 S 2/1996 DiPerna et al.
D387,168 S 12/1997 Edelman et al.
D389,917 S 1/1998 Hornback et al.
D410,544 S 6/1999 Metzler et al.
D438,952 S 3/2001 Cimino et al.

D459,477 S 6/2002 Stocks et al.
D465,895 S 11/2002 Pfefferle et al.
D467,001 S 12/2002 Buczek et al.
6,626,445 B2 9/2003 Murphy et al.
6,629,927 B1 10/2003 Mesaros et al.
D486,915 S 2/2004 Warschewske et al.
D517,768 S 3/2006 Arceta
D518,267 S 3/2006 Arceta
D525,592 S 7/2006 Nguyen
D539,794 S 4/2007 Rossini et al.
D541,942 S 5/2007 Hirson et al.
D544,103 S 6/2007 Meziere
D557,421 S 12/2007 Fleck et al.
D568,481 S 5/2008 Martinson
7,461,825 B2 12/2008 Olivera et al.
D603,048 S * 10/2009 Fleck et al. D24/185

* cited by examiner

Primary Examiner—T. Chase Nelson

Assistant Examiner—Mark Cavanna

(74) *Attorney, Agent, or Firm*—Jones Day; Edward L. Pencoske

(57) **CLAIM**

The ornamental design for a medical cart, as shown and described.

DESCRIPTION

FIG. 1 is a perspective view of a medical cart depicting our new design;

FIG. 2 is a front elevation thereof;

FIG. 3 is a rear elevation thereof;

FIG. 4 is a left-side elevation thereof;

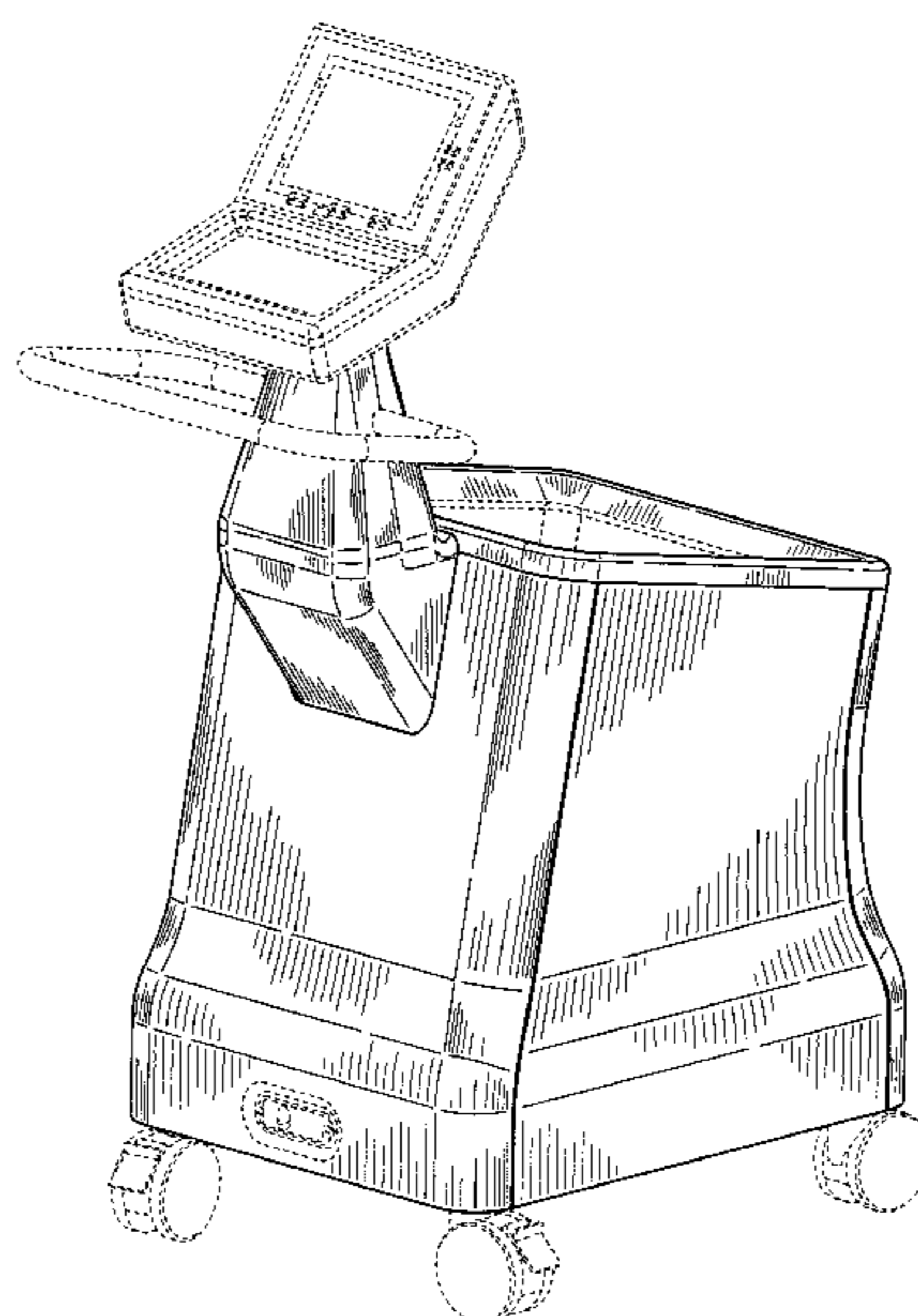
FIG. 5 is a right-side elevation thereof;

FIG. 6 is a top plan view thereof; and,

FIG. 7 is a bottom plan view thereof.

The broken lines in the drawings illustrate parts of the medical cart that form no part of the design.

1 Claim, 6 Drawing Sheets



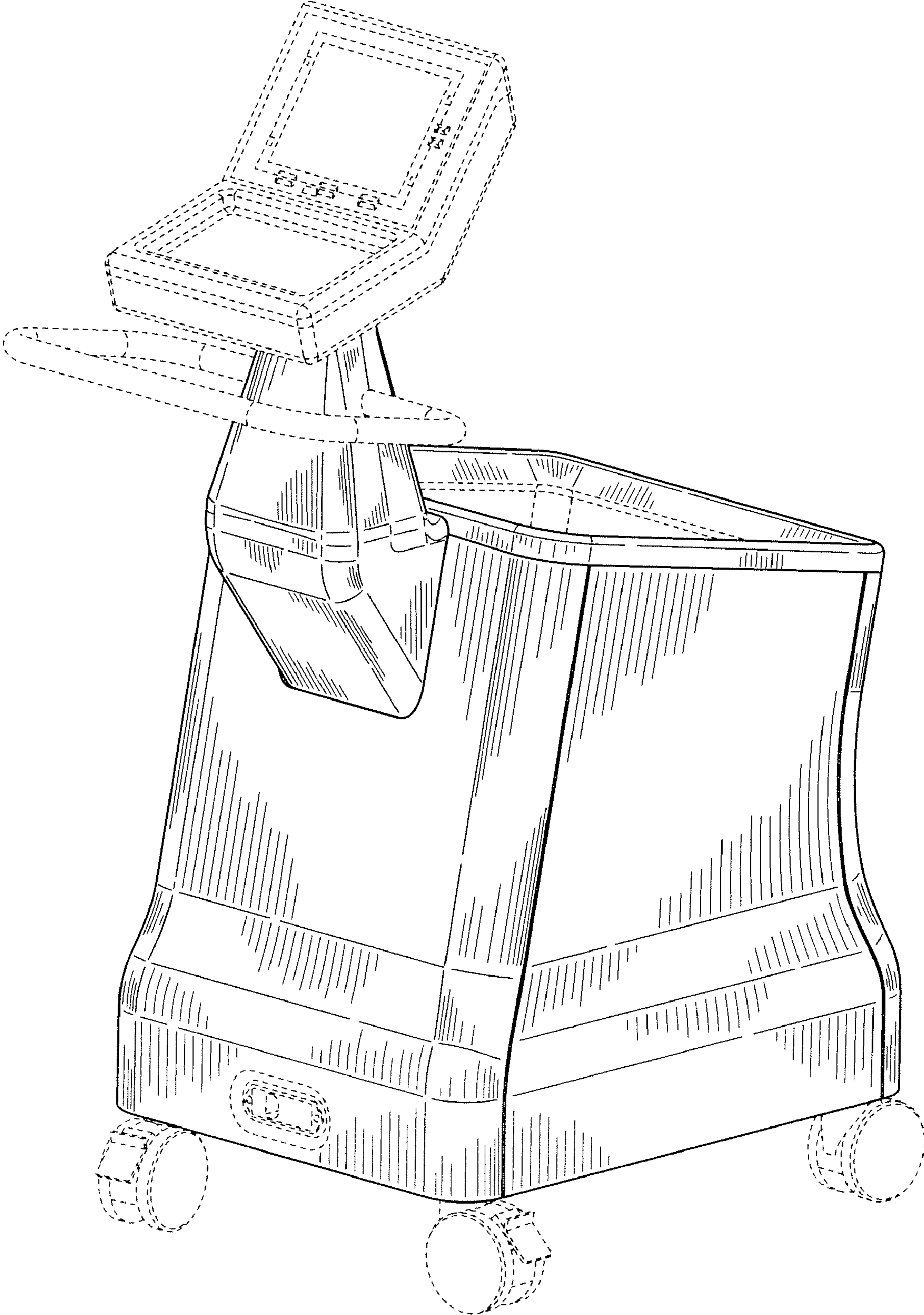


FIG. 1

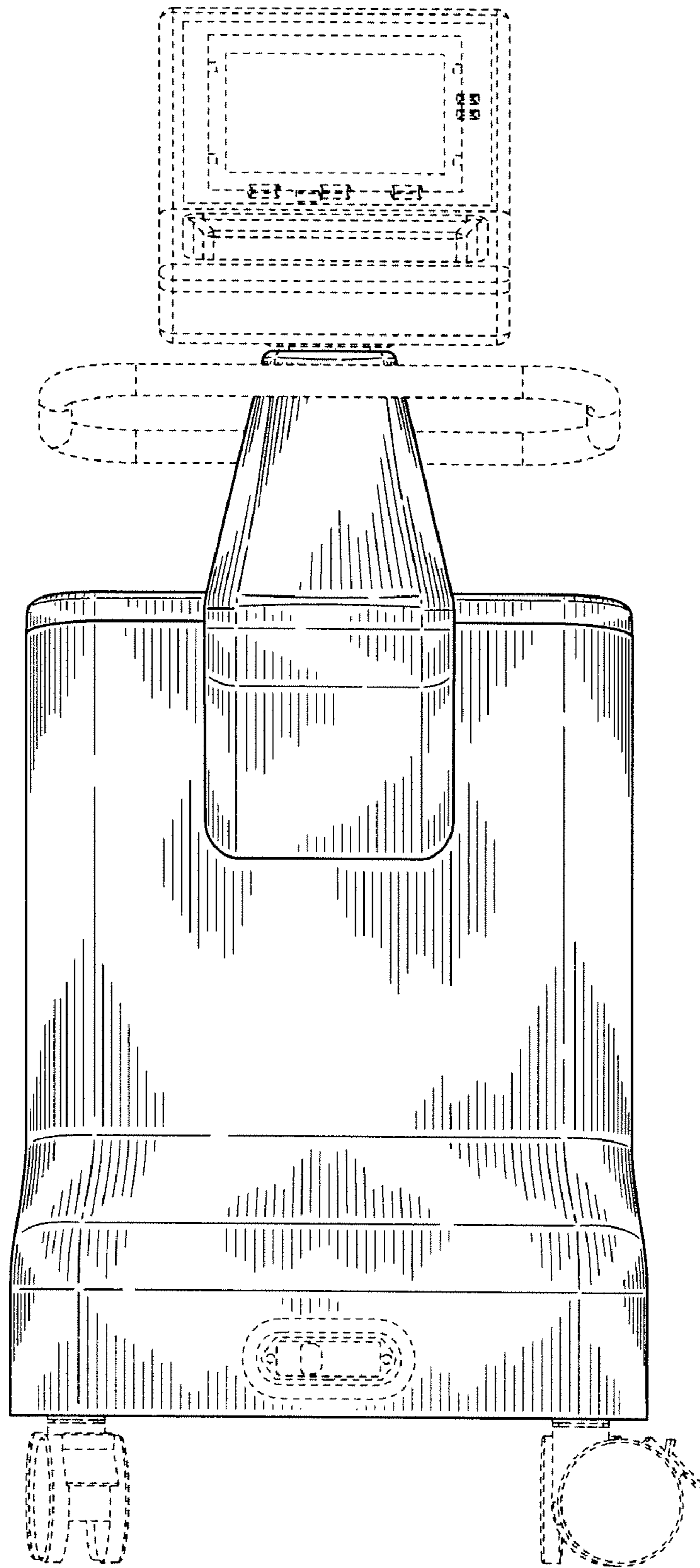


FIG. 2

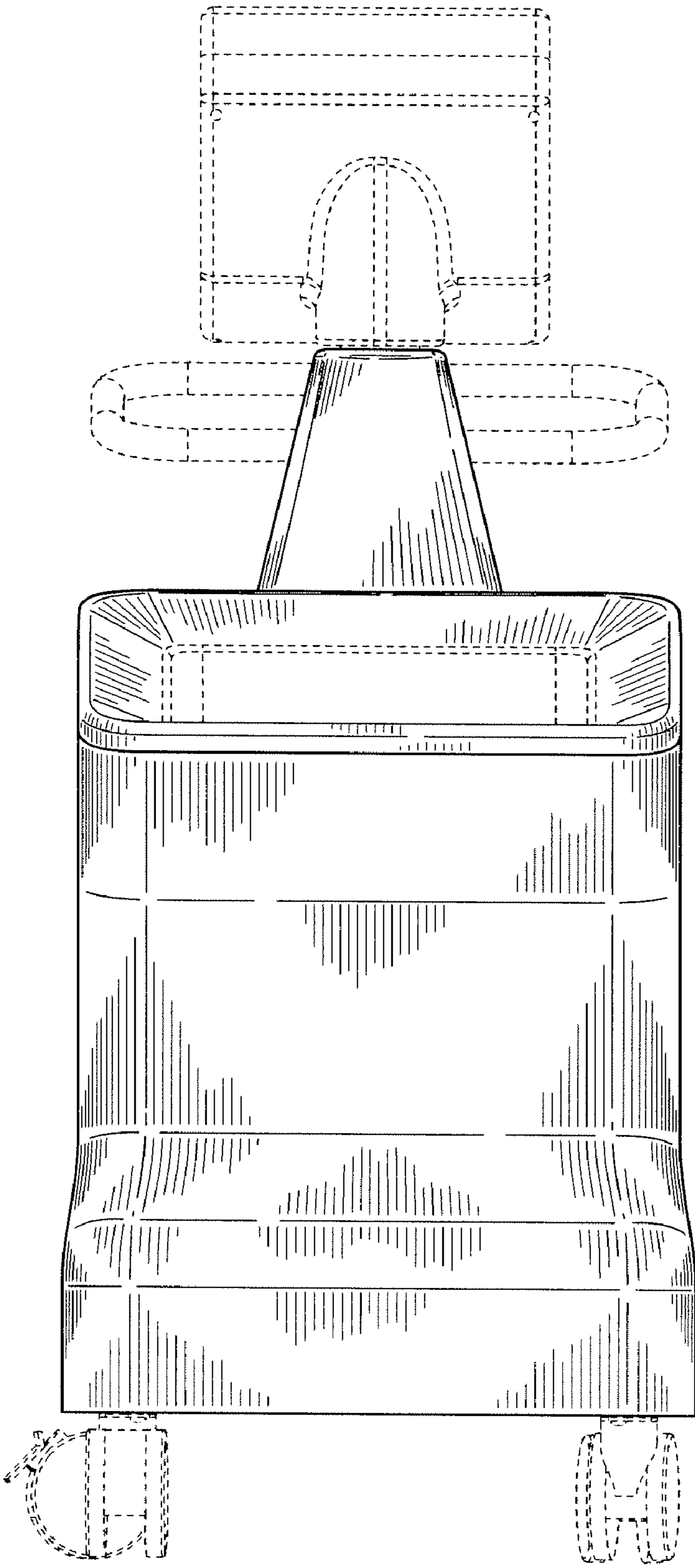


FIG. 3



FIG. 4

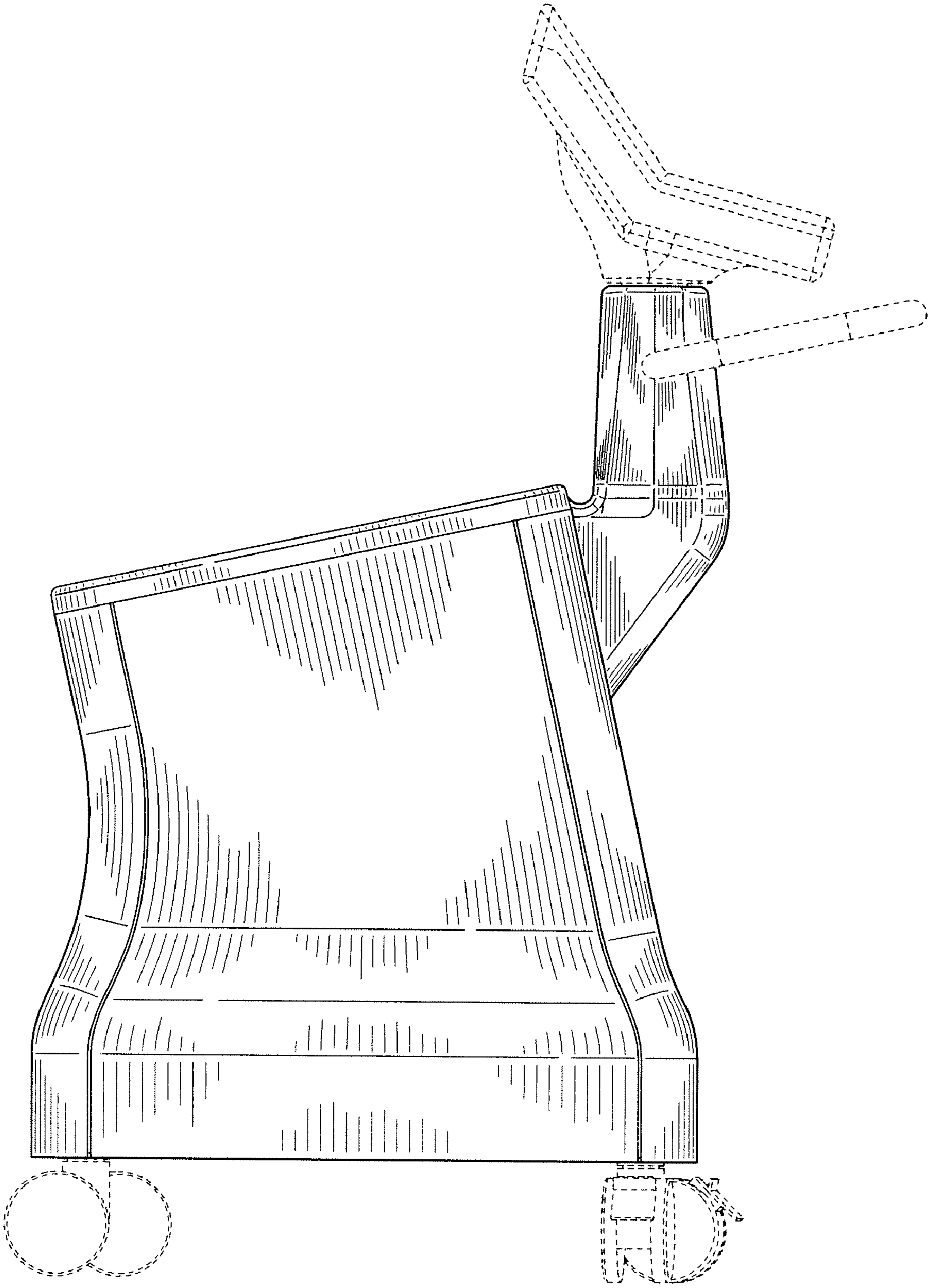


FIG. 5

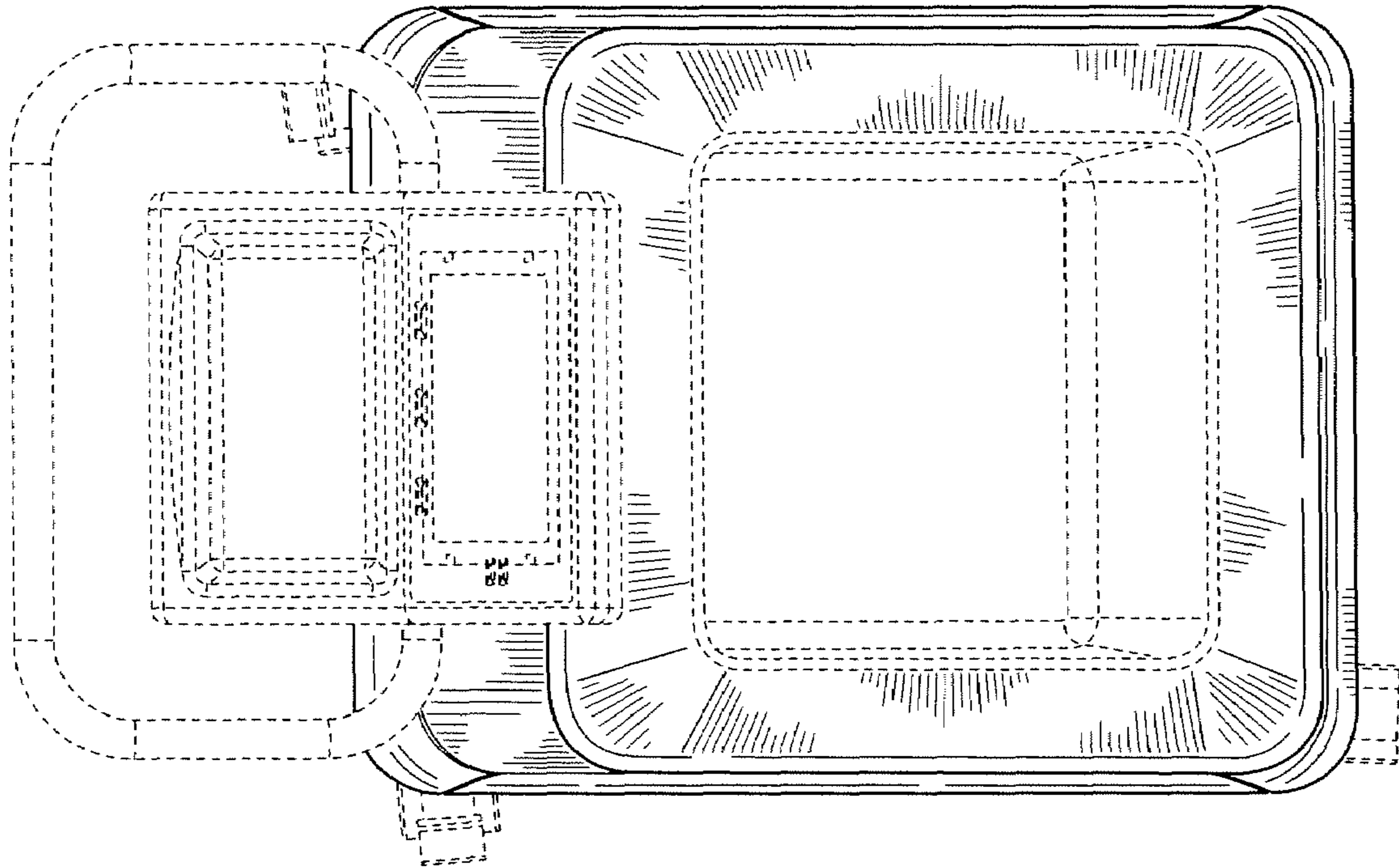


FIG. 6

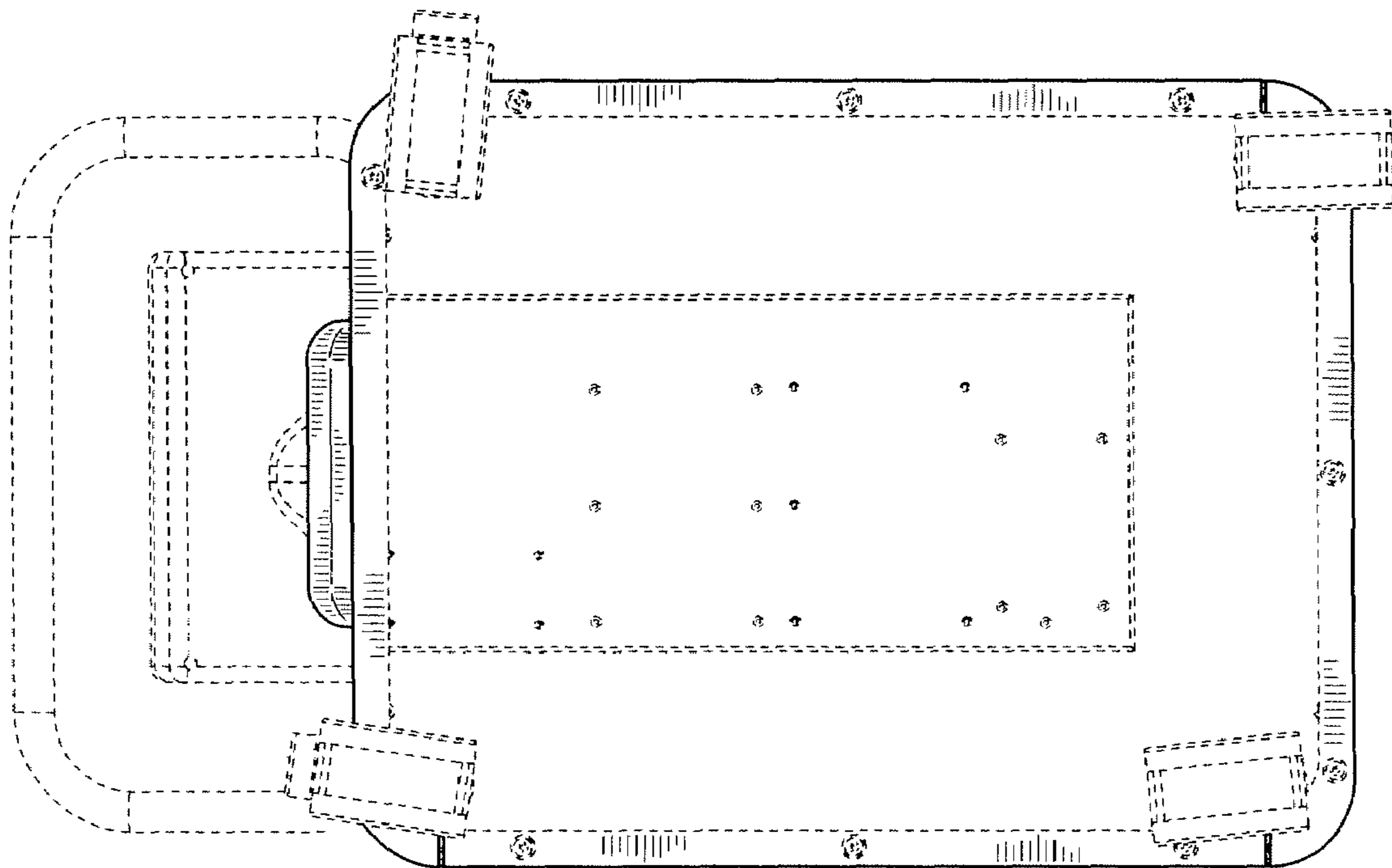


FIG. 7