



US00D611608S

(12) **United States Design Patent**
Mori et al.

(10) **Patent No.:** **US D611,608 S**
(45) **Date of Patent:** **** Mar. 9, 2010**

(54) **HEARING AID**
(75) Inventors: **Masakazu Mori**, Ehime (JP); **Masaki Takemoto**, Ehime (JP)
(73) Assignee: **Panasonic Corporation**, Osaka (JP)
(**) Term: **14 Years**
(21) Appl. No.: **29/340,859**
(22) Filed: **Jul. 27, 2009**

D557,419 S 12/2007 Jurkiewicz
D558,880 S 1/2008 Le
D560,808 S 1/2008 Jurkiewicz
D562,459 S 2/2008 Jurkiewicz
D562,983 S 2/2008 Jurkiewicz
D568,480 S 5/2008 Lockenwitz
D572,823 S 7/2008 Niccolai et al.
D575,872 S 8/2008 Pedersen
D579,567 S 10/2008 Pedersen
D587,378 S 2/2009 Powers et al.
D595,856 S * 7/2009 Tronza D24/174

(30) **Foreign Application Priority Data**
Feb. 19, 2009 (JP) 2009-003357

FOREIGN PATENT DOCUMENTS

JP D814315 7/1991

(51) **LOC (9) Cl.** **24-99**
(52) **U.S. Cl.** **D24/174**
(58) **Field of Classification Search** D24/173-175,
D24/182, 106; D14/205, 223, 224, 249;
381/23.1, 312, 322-324, 328-330, 334, 381;
181/129, 137
See application file for complete search history.

(Continued)

Primary Examiner—T. Chase Nelson
Assistant Examiner—Anhdao Doan
(74) *Attorney, Agent, or Firm*—Brinks Hofer Gilson & Lione

(56) **References Cited**

(57) **CLAIM**

The ornamental design for a hearing aid, as shown and described.

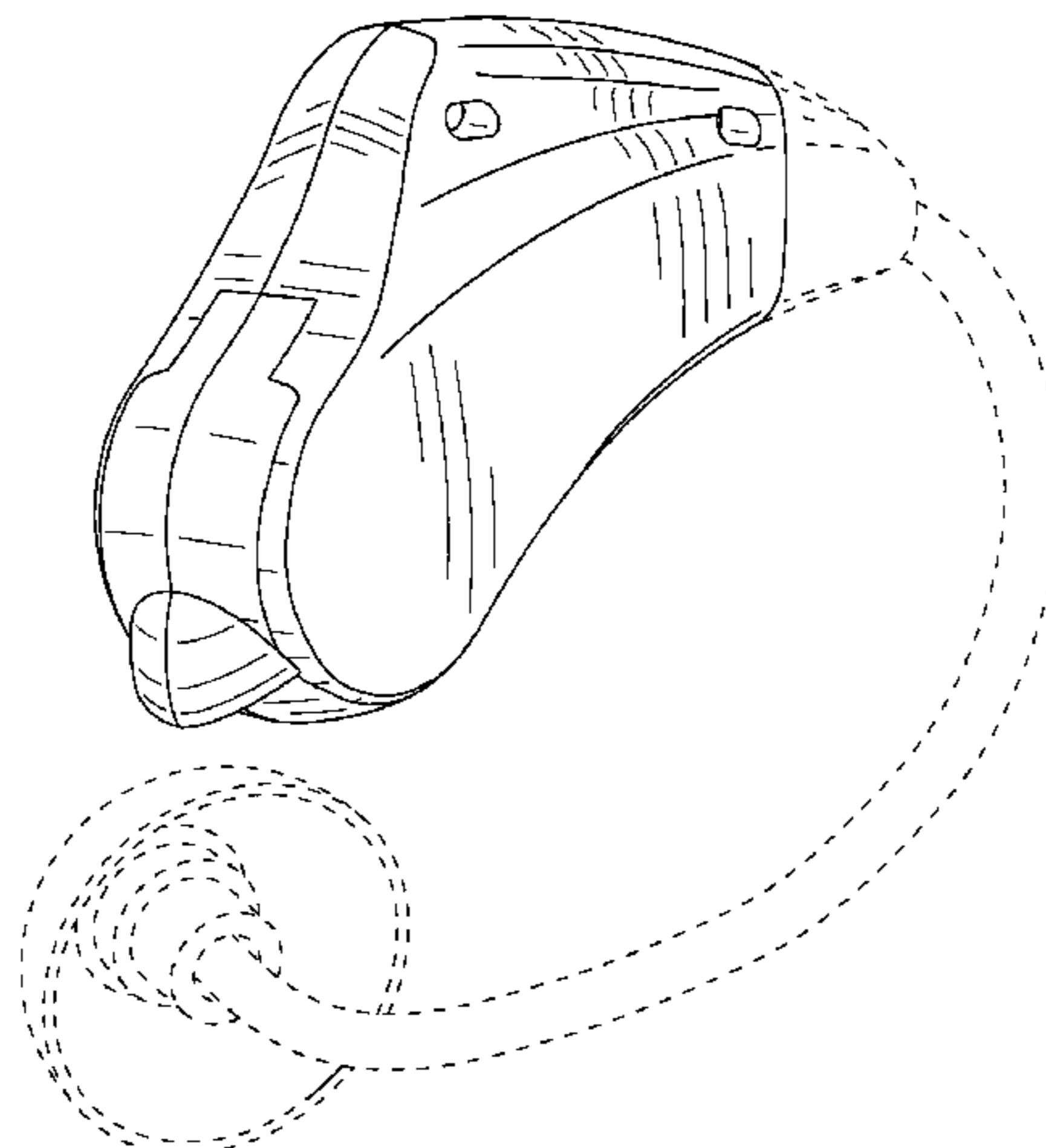
U.S. PATENT DOCUMENTS

DESCRIPTION

D251,234 S 3/1979 Hakansson et al.
D273,706 S 5/1984 McCall
D294,862 S 3/1988 Diefenbach
D322,319 S 12/1991 van Mourik
D354,568 S 1/1995 Araki et al.
5,606,621 A * 2/1997 Reiter et al. 381/328
D385,036 S 10/1997 Nielsen
5,802,183 A * 9/1998 Scheller et al. 381/322
D411,885 S 7/1999 Mavrakis et al.
D457,635 S 5/2002 Dittli et al.
D471,630 S 3/2003 Schelbach
D473,652 S * 4/2003 Darley et al. D24/173
D506,258 S 6/2005 Nielsen
D516,216 S 2/2006 Portmann
D529,612 S 10/2006 Feeley et al.
D530,819 S 10/2006 Jurkiewicz et al.
D532,111 S 11/2006 Espersen
D541,420 S 4/2007 Darbut et al.
D546,455 S 7/2007 Darbut et al.

FIG. 1 is a front and right side perspective view of hearing aid of the present invention;
FIG. 2 is a front view thereof;
FIG. 3 is a rear view thereof;
FIG. 4 is a left side view thereof;
FIG. 5 is a right side view thereof;
FIG. 6 is a top view thereof;
FIG. 7 is a bottom view thereof; and,
FIG. 8 is a rear and left side perspective view thereof.
The broken line showing of hearing aid is included for the purpose of illustrating environment and forms no part of the claimed design.

1 Claim, 8 Drawing Sheets



US D611,608 S

Page 2

FOREIGN PATENT DOCUMENTS					
			JP	D1191480	12/2003
			JP	D1194501	1/2004
			JP	D1309272	9/2007
			JP	D1323108	3/2008
			JP	D1323110	3/2008
			JP	D1333147	6/2008
			JP	D1333148	6/2008
			JP	D1265177	2/2009
			* cited by examiner		
JP	D847917	9/1992			
JP	D872059	7/1993			
JP	D951266	4/1996			
JP	D1009144	5/1998			
JP	D1009144/1	4/2000			
JP	D1090215	11/2000			
JP	D1160851	12/2002			
JP	D1191477	12/2003			

FIG.1

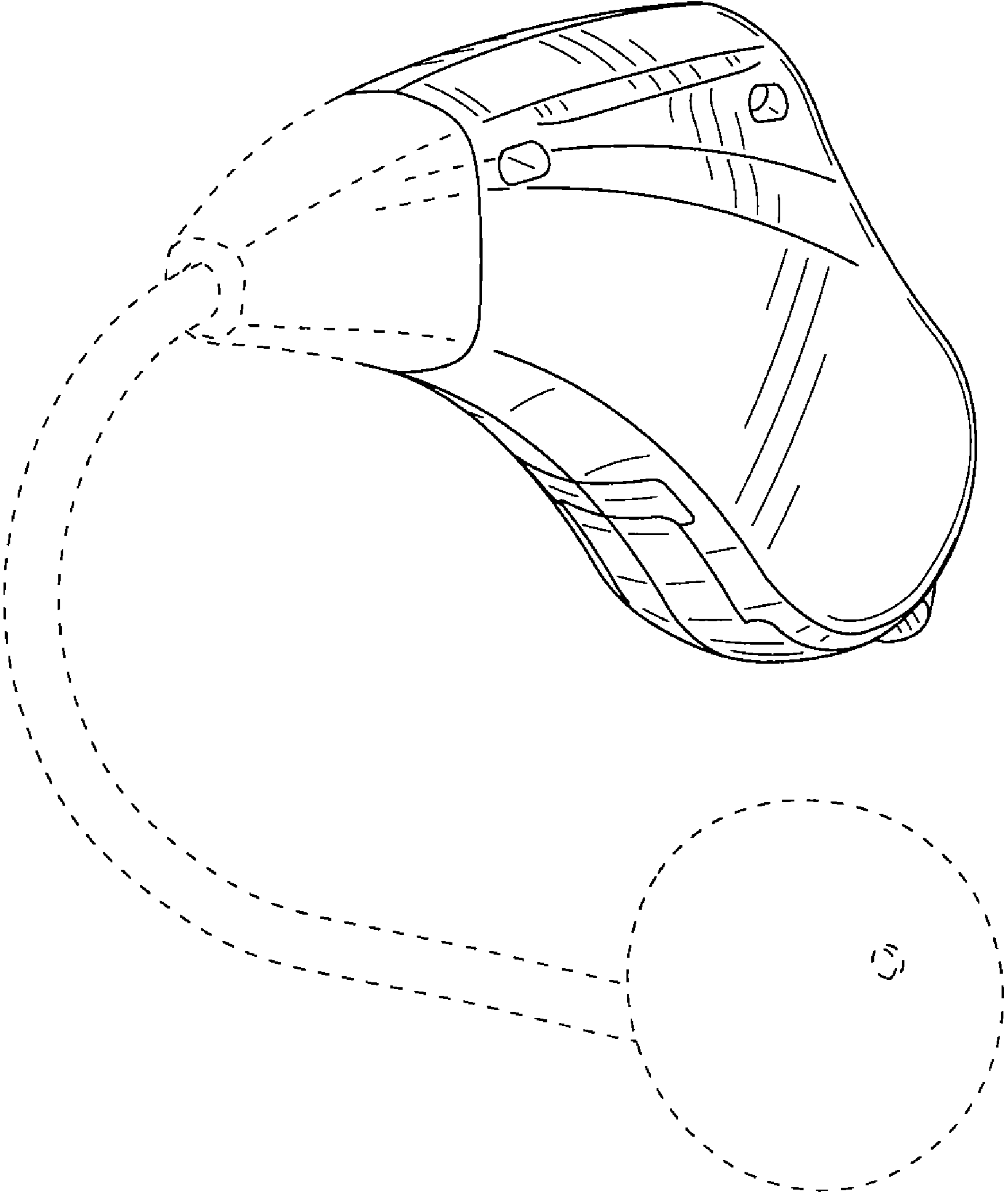


FIG.2

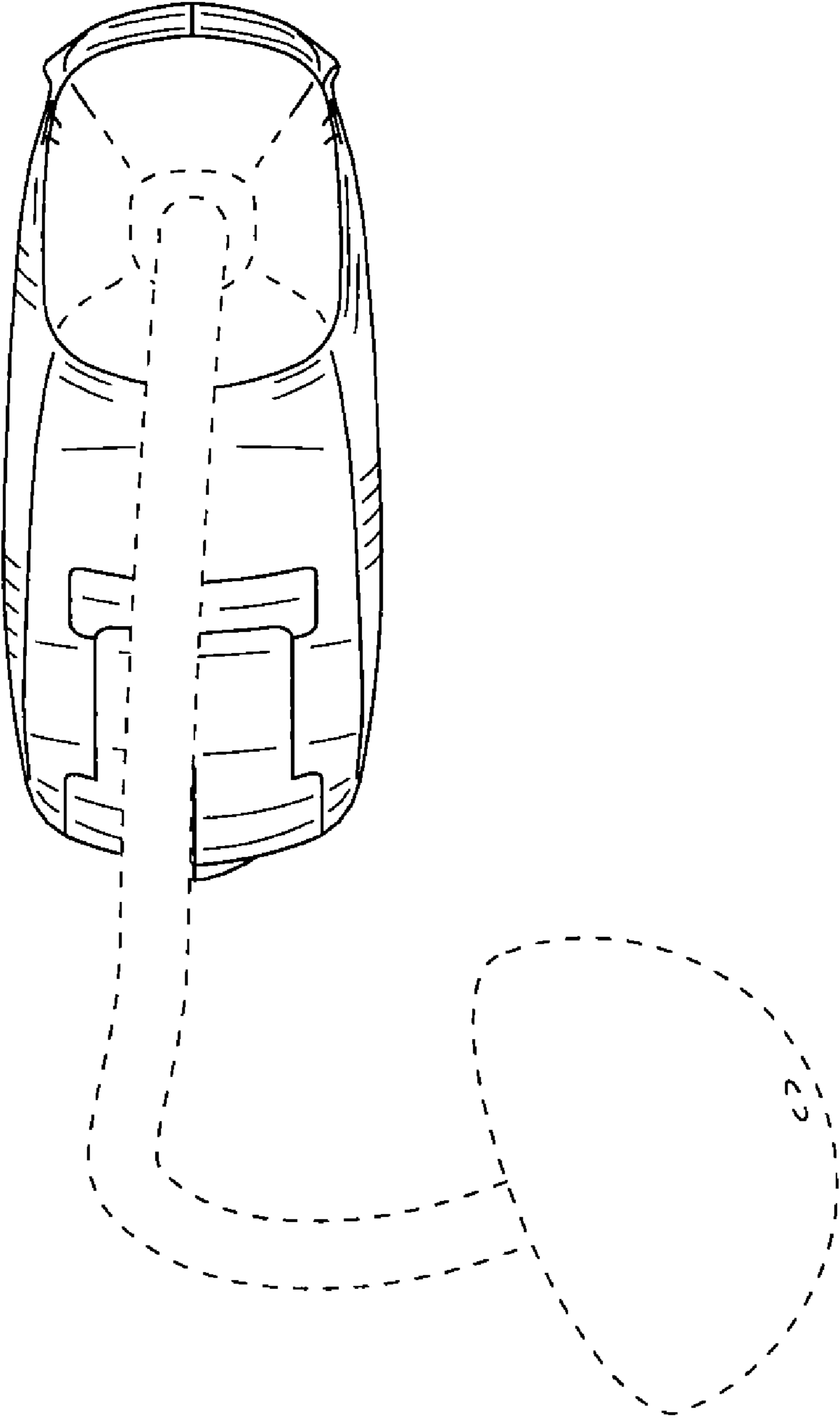


FIG.3

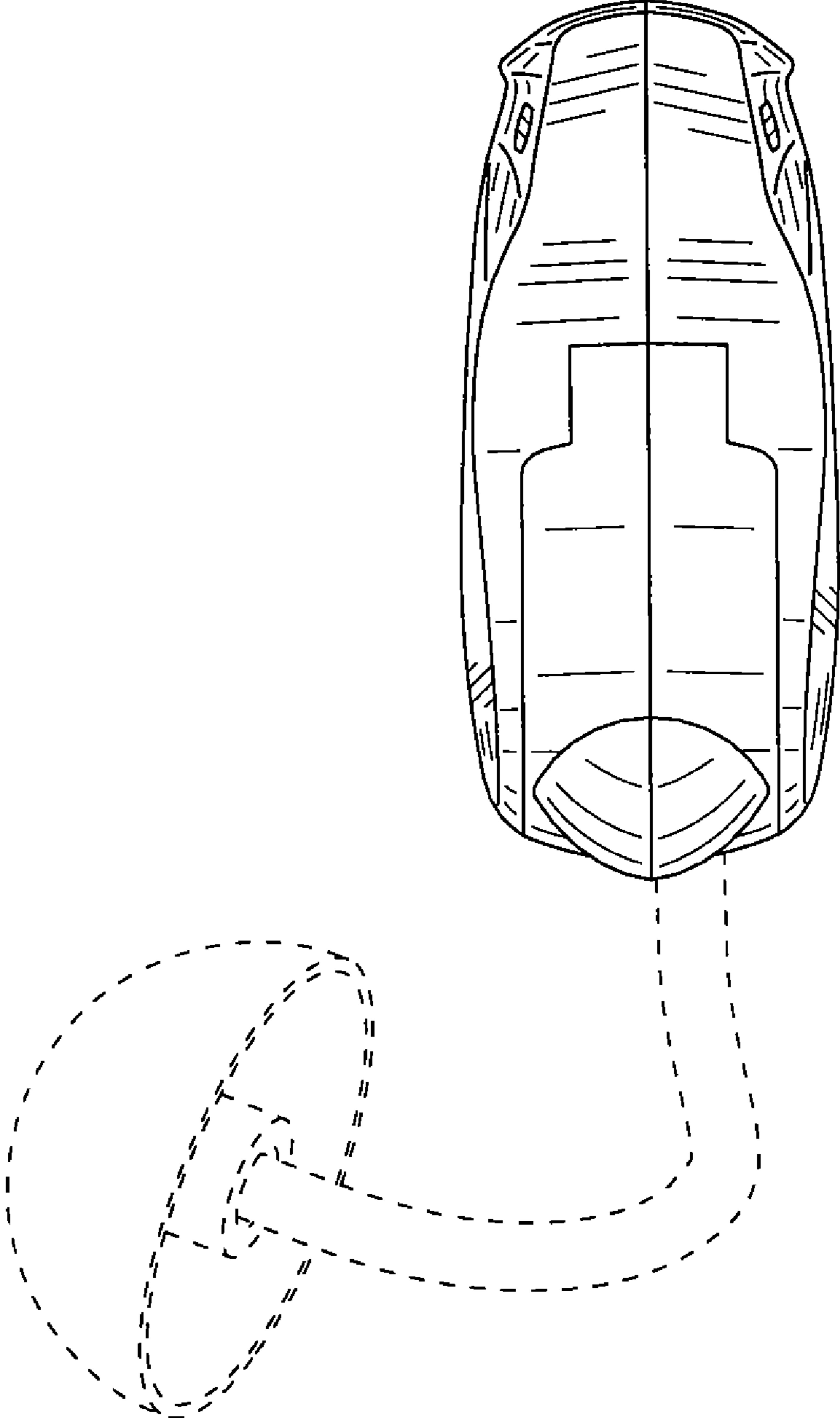


FIG.4

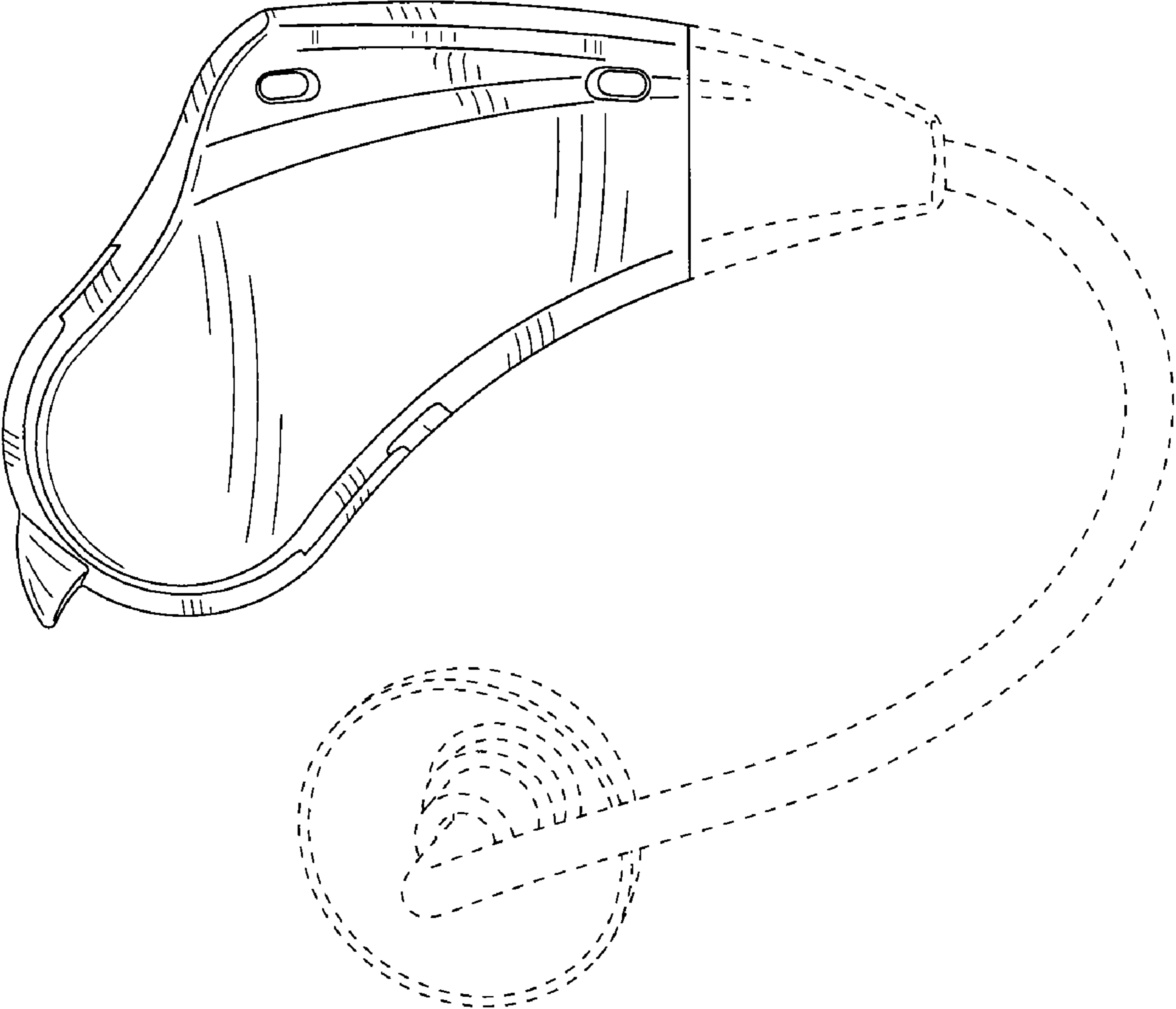


FIG.5

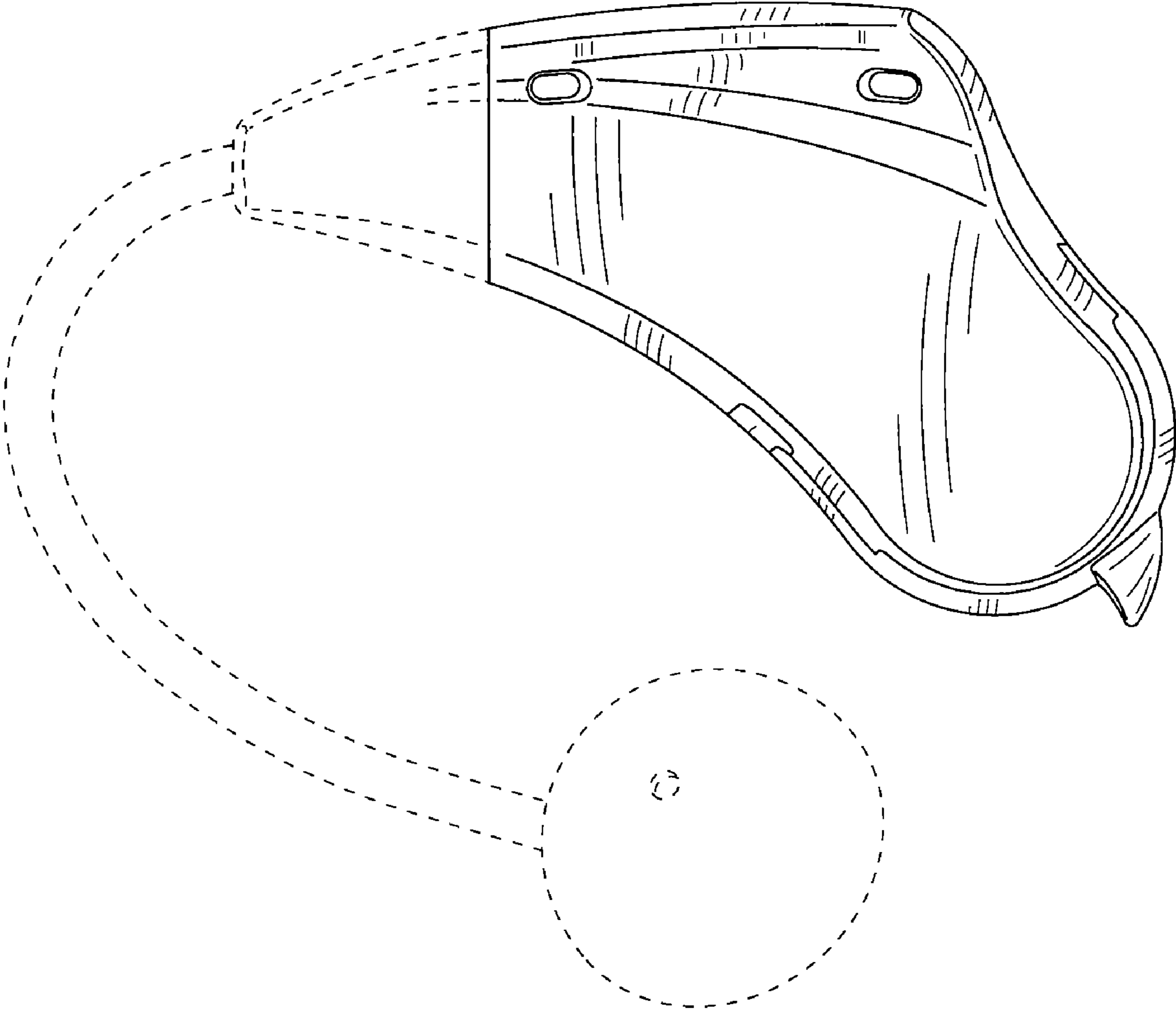


FIG.6

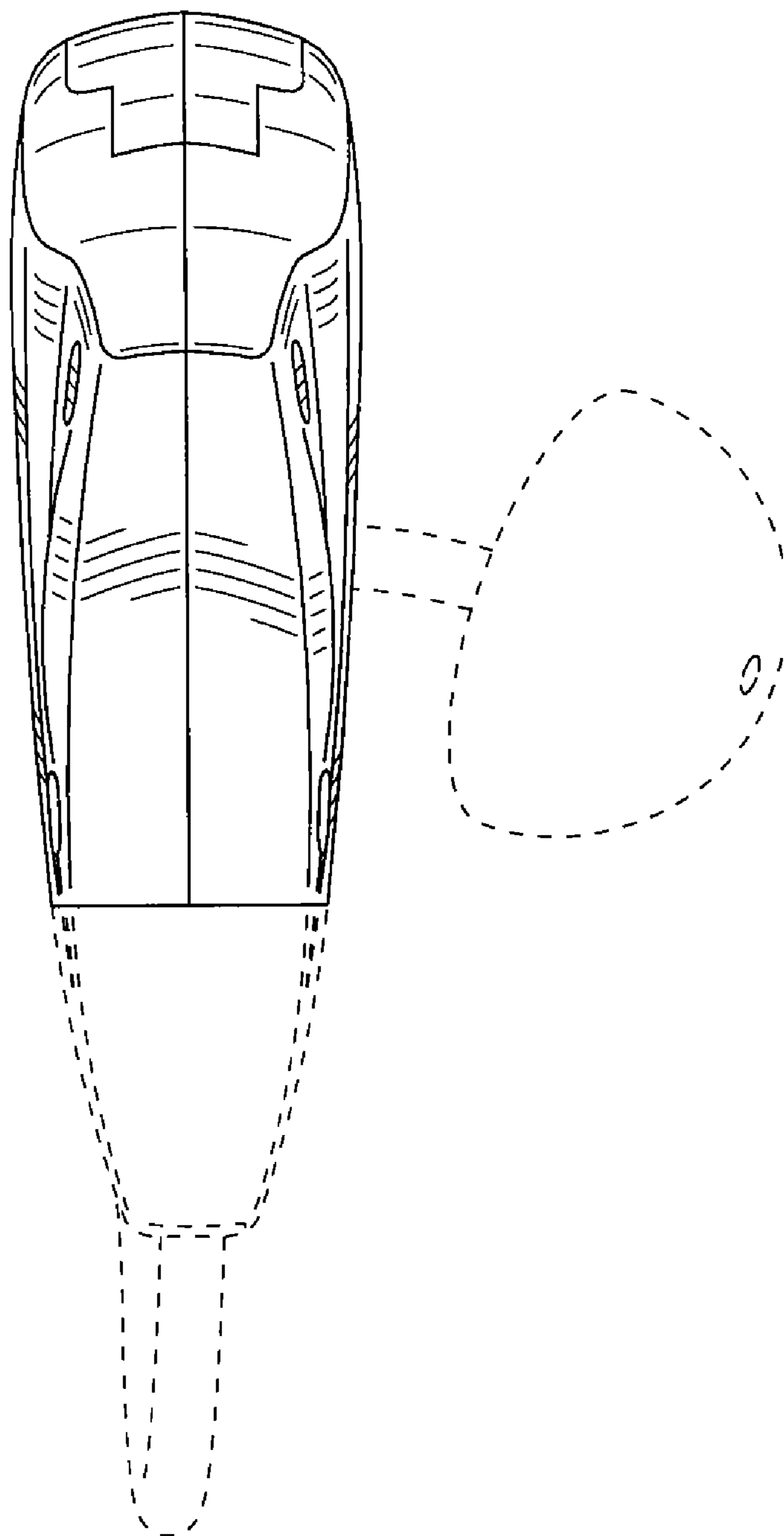


FIG.7

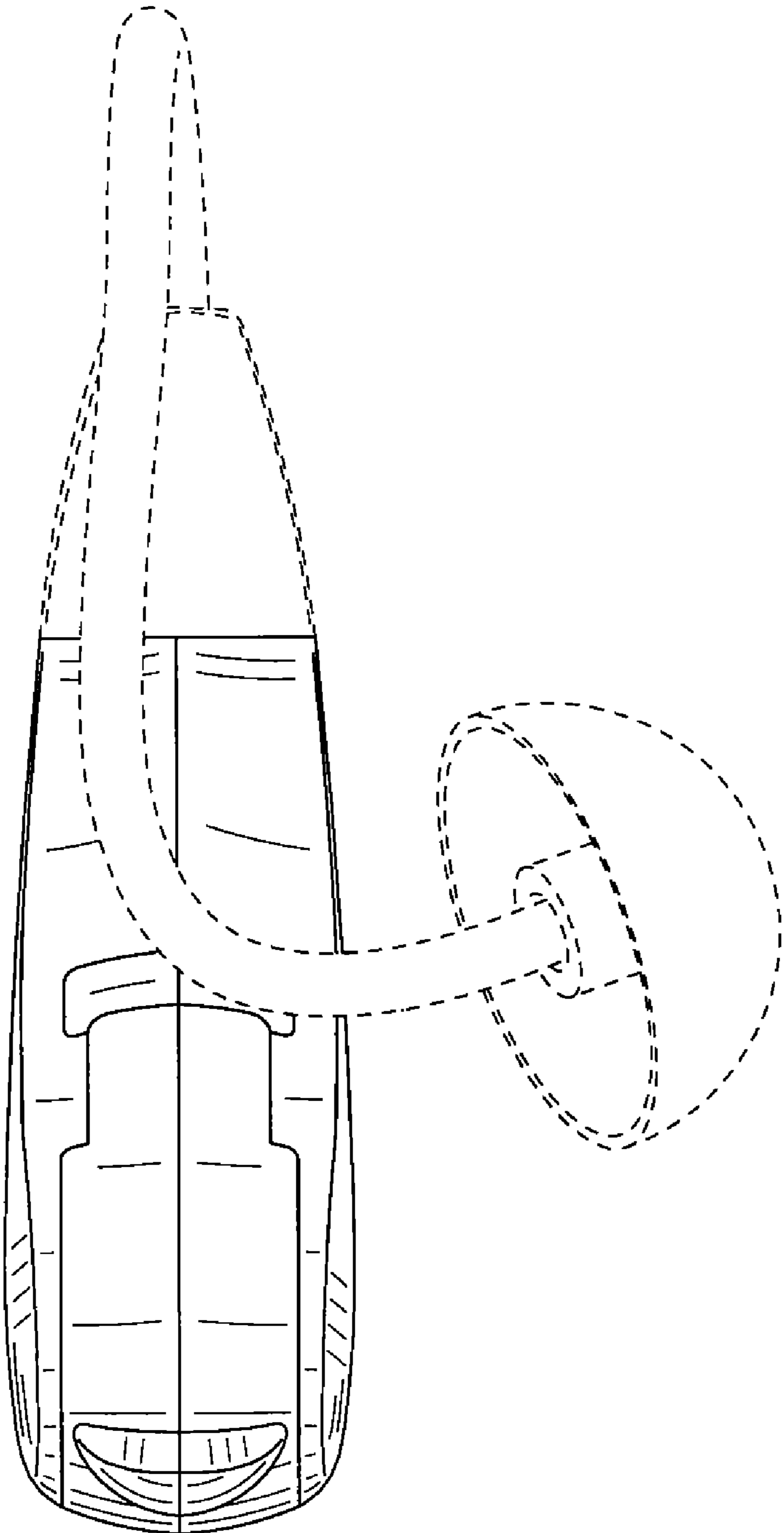


FIG.8

