



US00D611606S

(12) **United States Design Patent**  
**Vaterlaus**

(10) **Patent No.:** **US D611,606 S**  
(45) **Date of Patent:** **\*\* Mar. 9, 2010**

(54) **EARPHONE**

7,407,035 B2 \* 8/2008 Stinauer et al. .... 181/135

(75) Inventor: **Remo Vaterlaus**, Bern (CH)

\* cited by examiner

(73) Assignee: **Phonak AG**, Stäfa (CH)

*Primary Examiner*—T. Chase Nelson

*Assistant Examiner*—Anhdao Doan

(\*\*) Term: **14 Years**

(74) *Attorney, Agent, or Firm*—Rankin, Hill & Clark LLP

(21) Appl. No.: **29/306,926**

(57) **CLAIM**

(22) Filed: **Apr. 18, 2008**

The ornamental design for an earphone, as shown and described.

(51) **LOC (9) Cl.** ..... **24-99**

**DESCRIPTION**

(52) **U.S. Cl.** ..... **D24/174**

FIG. 1 is a perspective view of an earphone embodying our design;

(58) **Field of Classification Search** ..... D24/173–175,

D24/182, 106; D14/205, 223, 224, 249;

381/23.1, 312, 322, 323, 324, 328, 329, 330,

381/380, 381; 181/129, 130, 134, 135, 137

See application file for complete search history.

FIG. 2 is a side view of the earphone shown in FIG. 1;

FIG. 3 is an opposite side view of the earphone shown in FIG. 2;

FIG. 4 is top view of the earphone shown in FIG. 1;

FIG. 5 is a bottom view of the earphone shown in FIG. 1;

FIG. 6 is a rear view of the earphone shown in FIG. 1; and,

FIG. 7 is a front view of the earphone shown in FIG. 1.

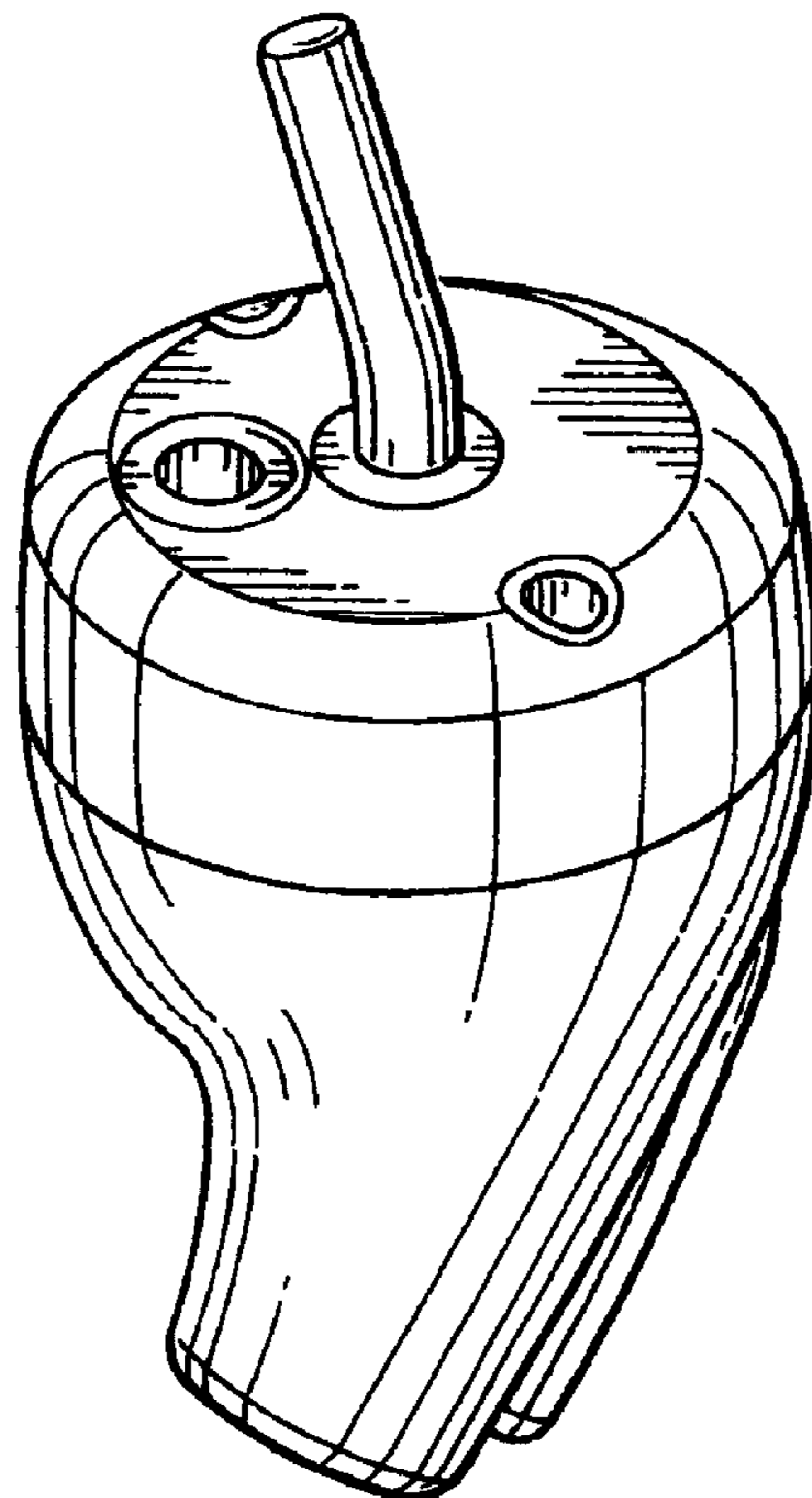
(56) **References Cited**

**U.S. PATENT DOCUMENTS**

D297,979	S *	10/1988	Voroba et al. ....	D24/174
5,185,802	A *	2/1993	Stanton .....	381/328
D375,556	S *	11/1996	Narisawa et al. ....	D24/174
D397,796	S *	9/1998	Yabe et al. ....	D24/174
D532,110	S *	11/2006	Bailey et al. ....	D24/174
7,139,404	B2 *	11/2006	Feeley et al. ....	381/330
D534,277	S *	12/2006	Shennib et al. ....	D24/174
D554,756	S *	11/2007	Sjursen et al. ....	D24/174
D564,664	S *	3/2008	Bailey et al. ....	D24/174
D575,773	S *	8/2008	Yanai .....	D14/223

The broken-line disclosure in the views is understood to represent portions of the article in which the claimed design is embodied, but which form no part of the claimed design. Where a broken-line abuts a claimed surface, that broken line is understood to represent an unclaimed boundary between claimed and unclaimed surfaces.

**1 Claim, 2 Drawing Sheets**



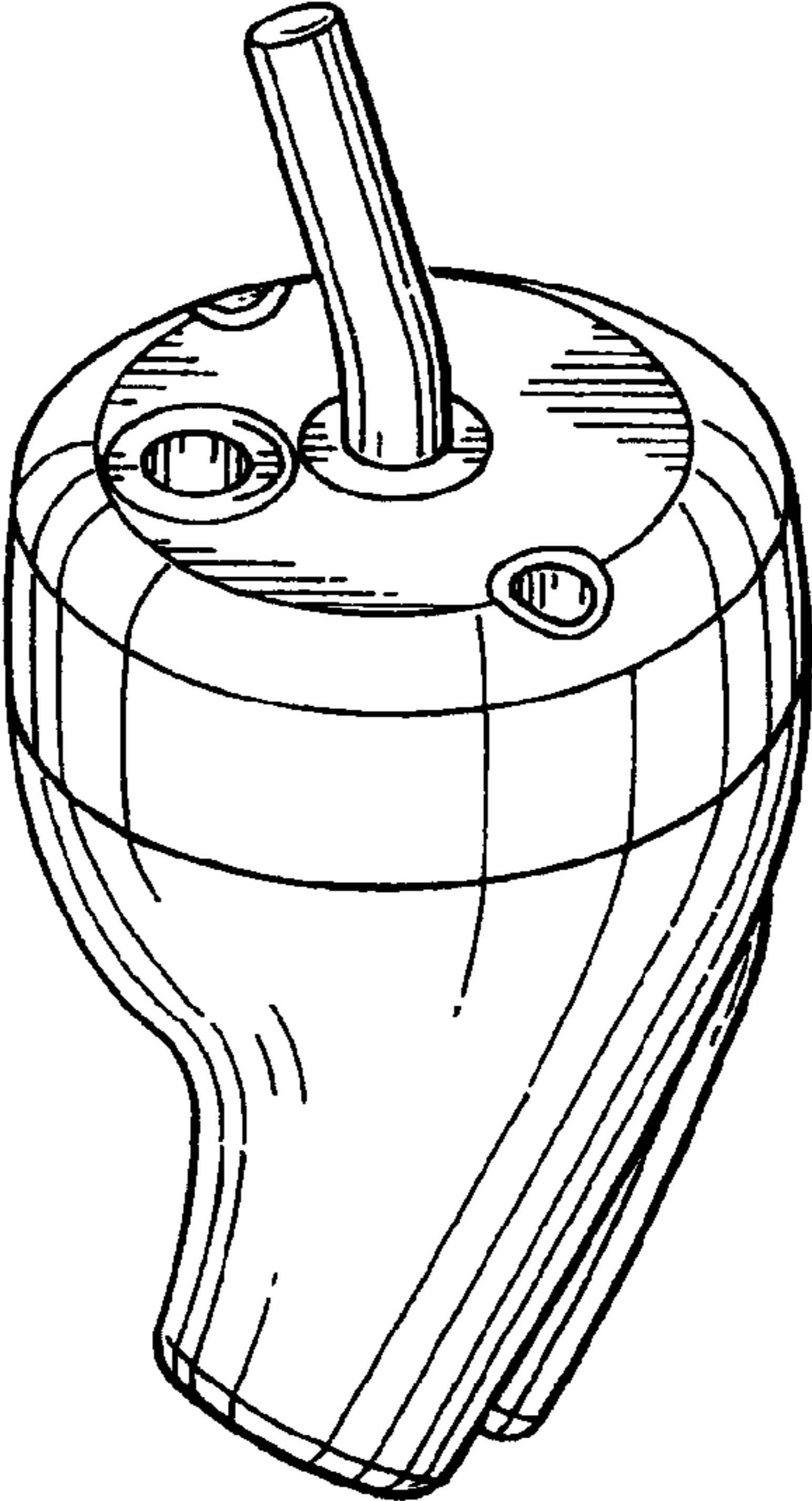


FIG. 1

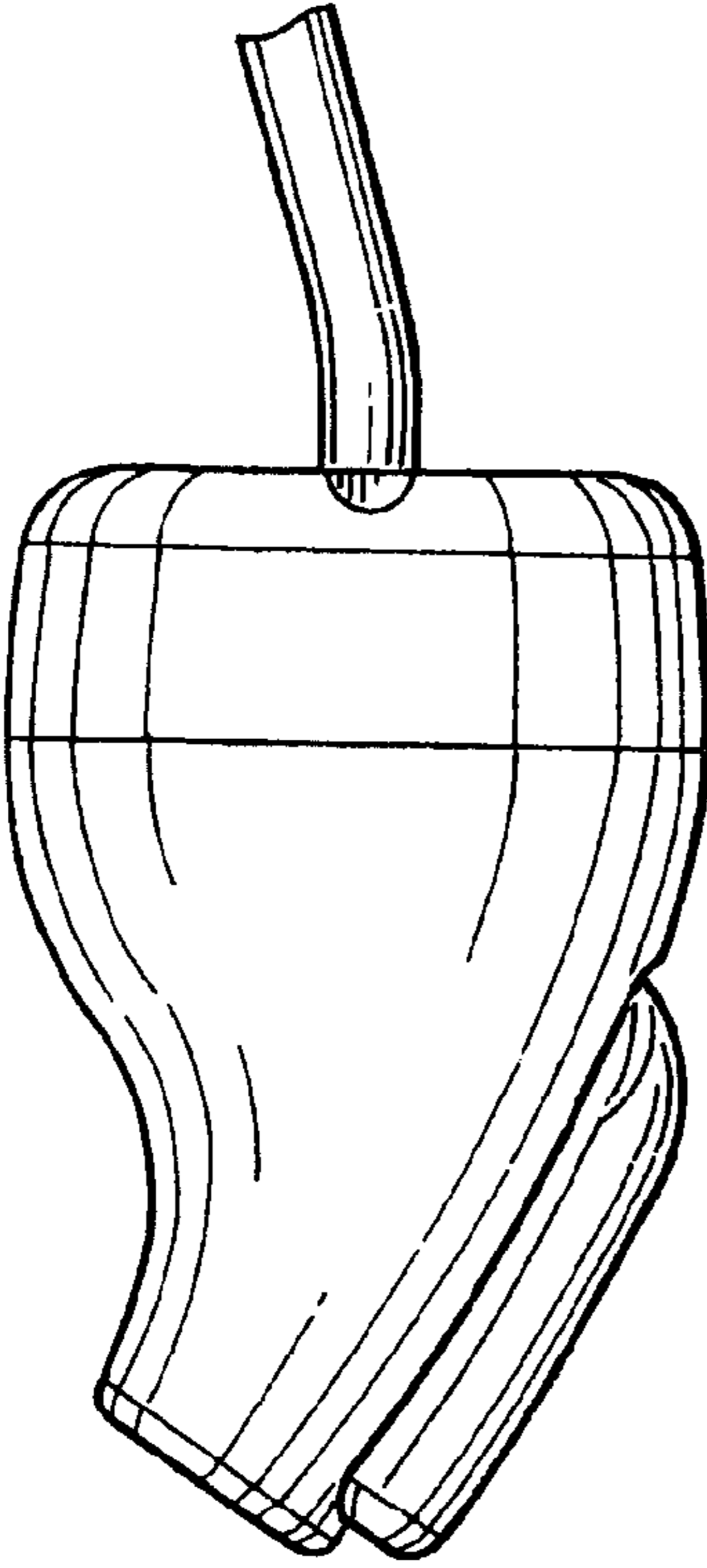


FIG. 2

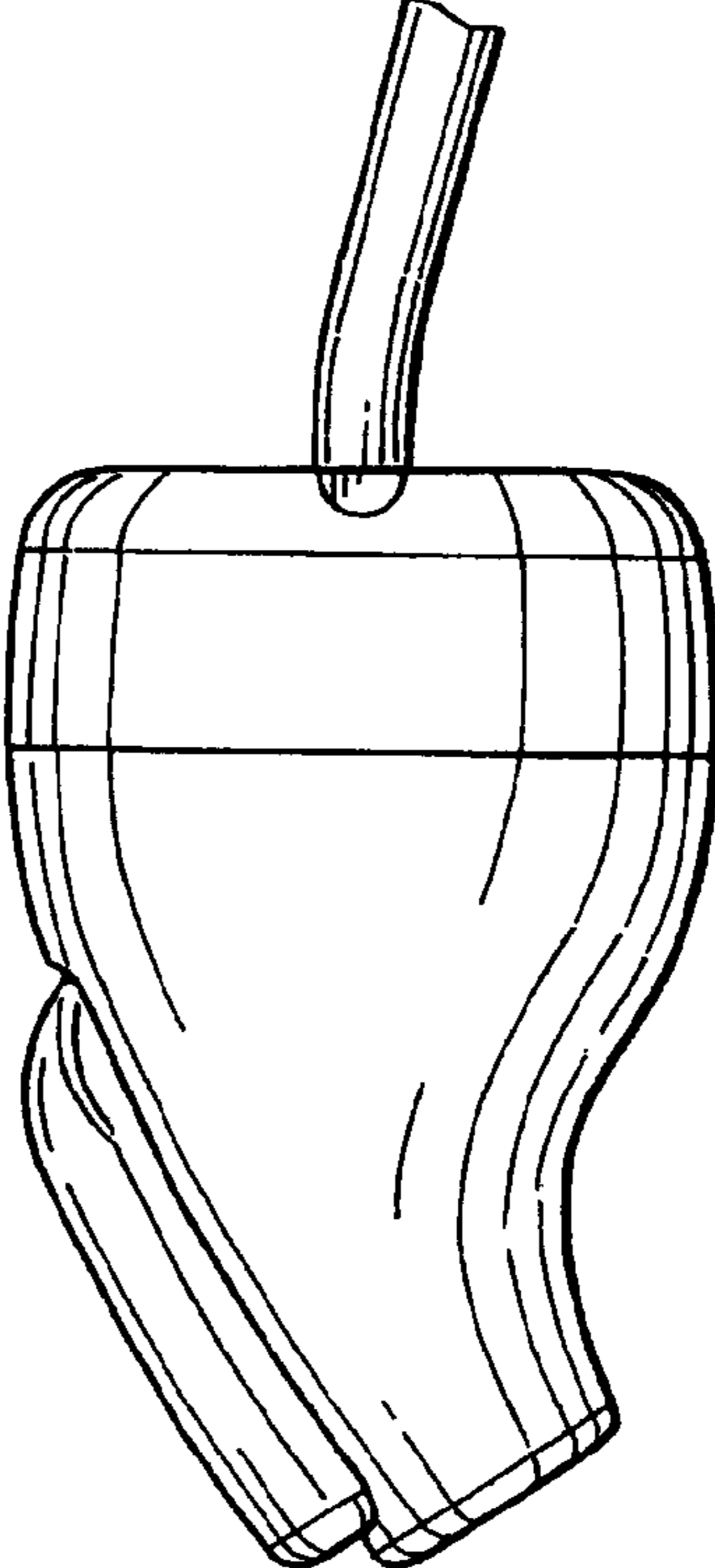


FIG. 3

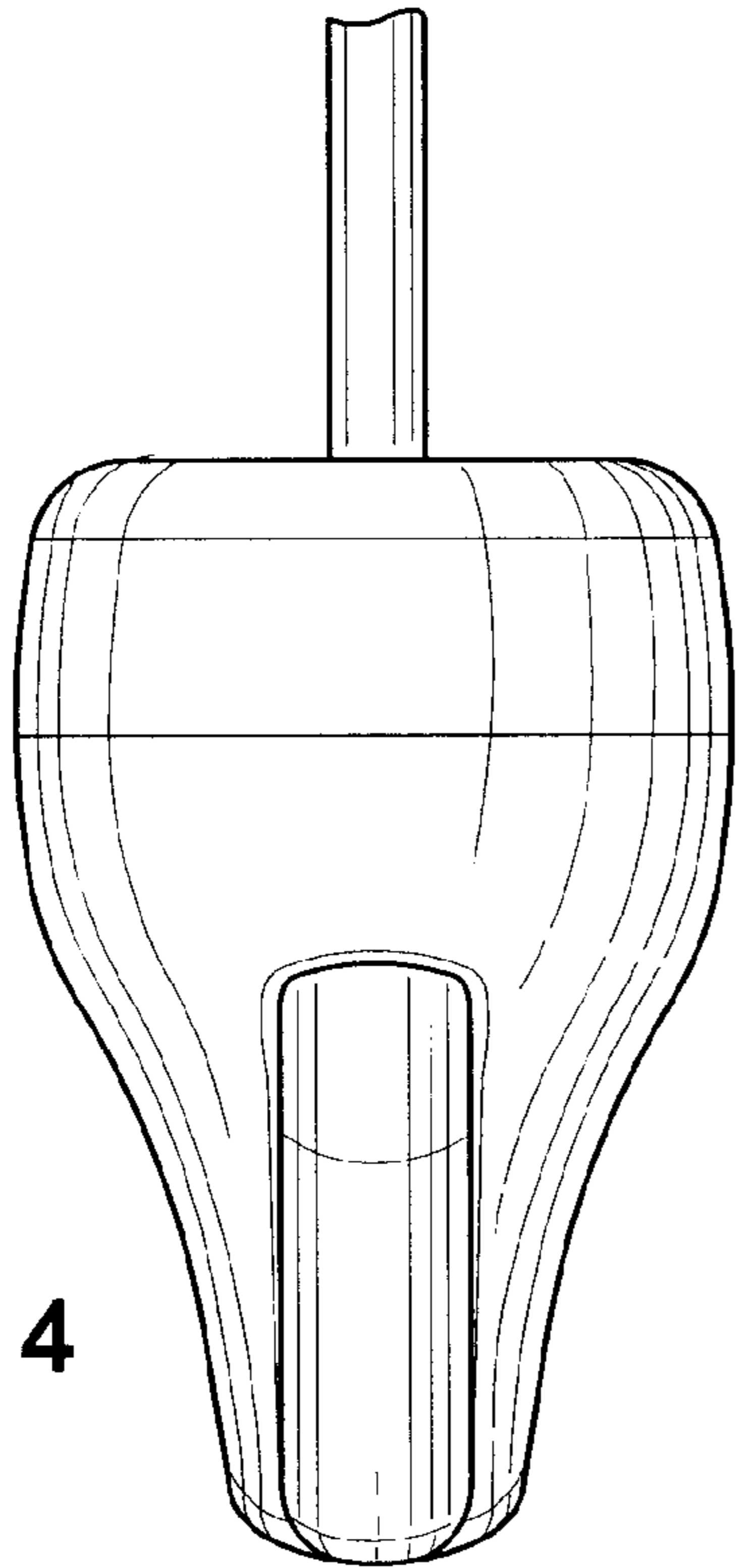


FIG. 4

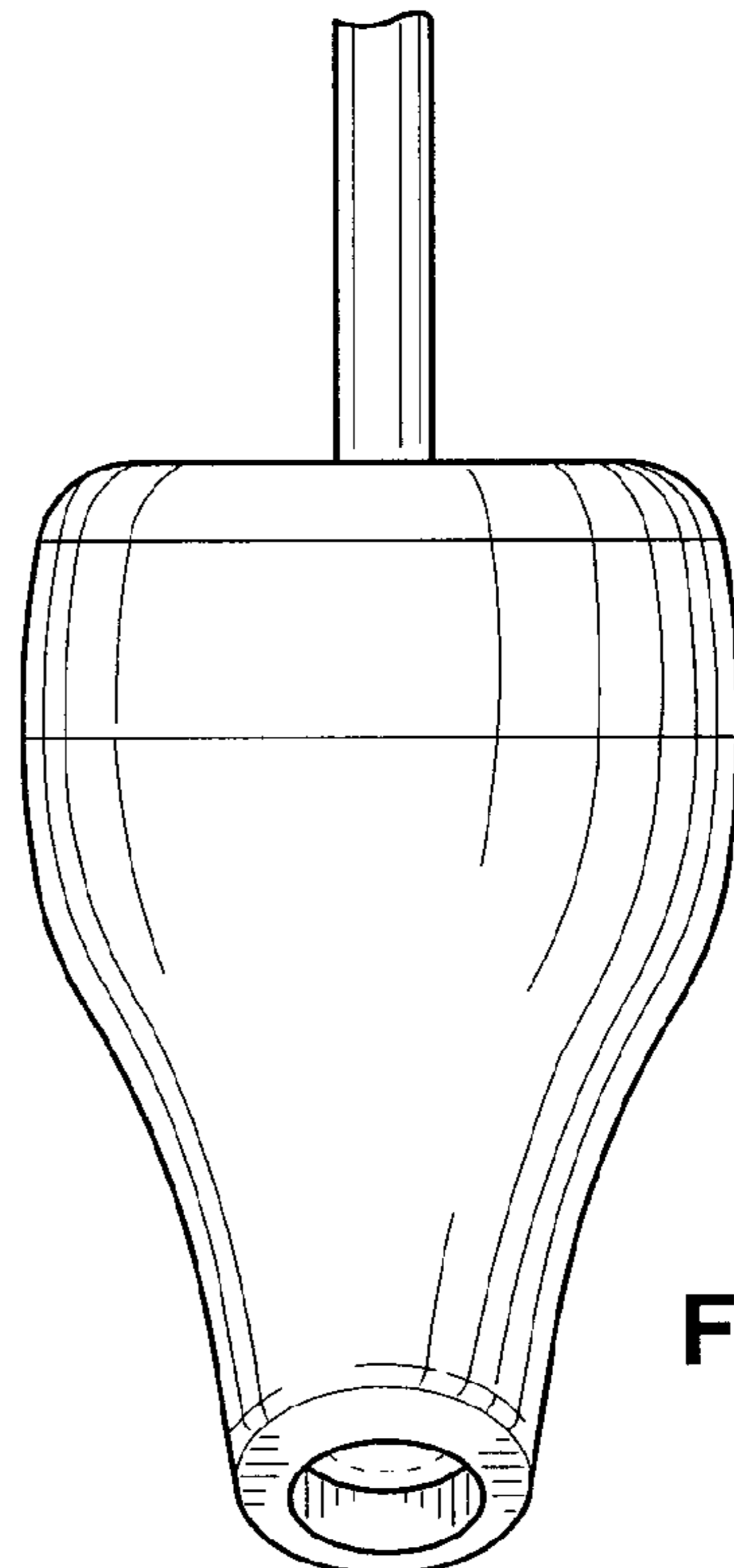


FIG. 5

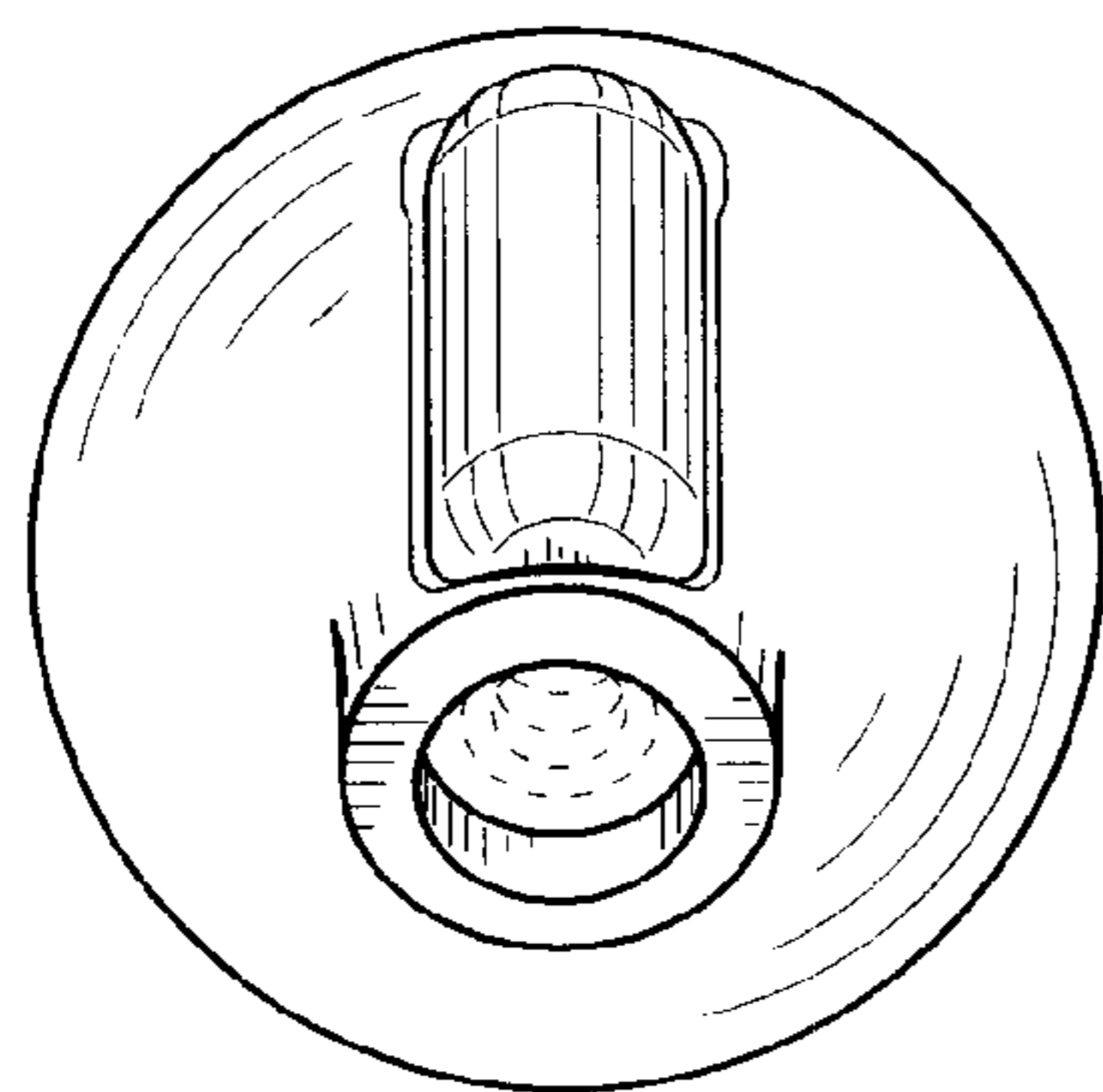


FIG. 6

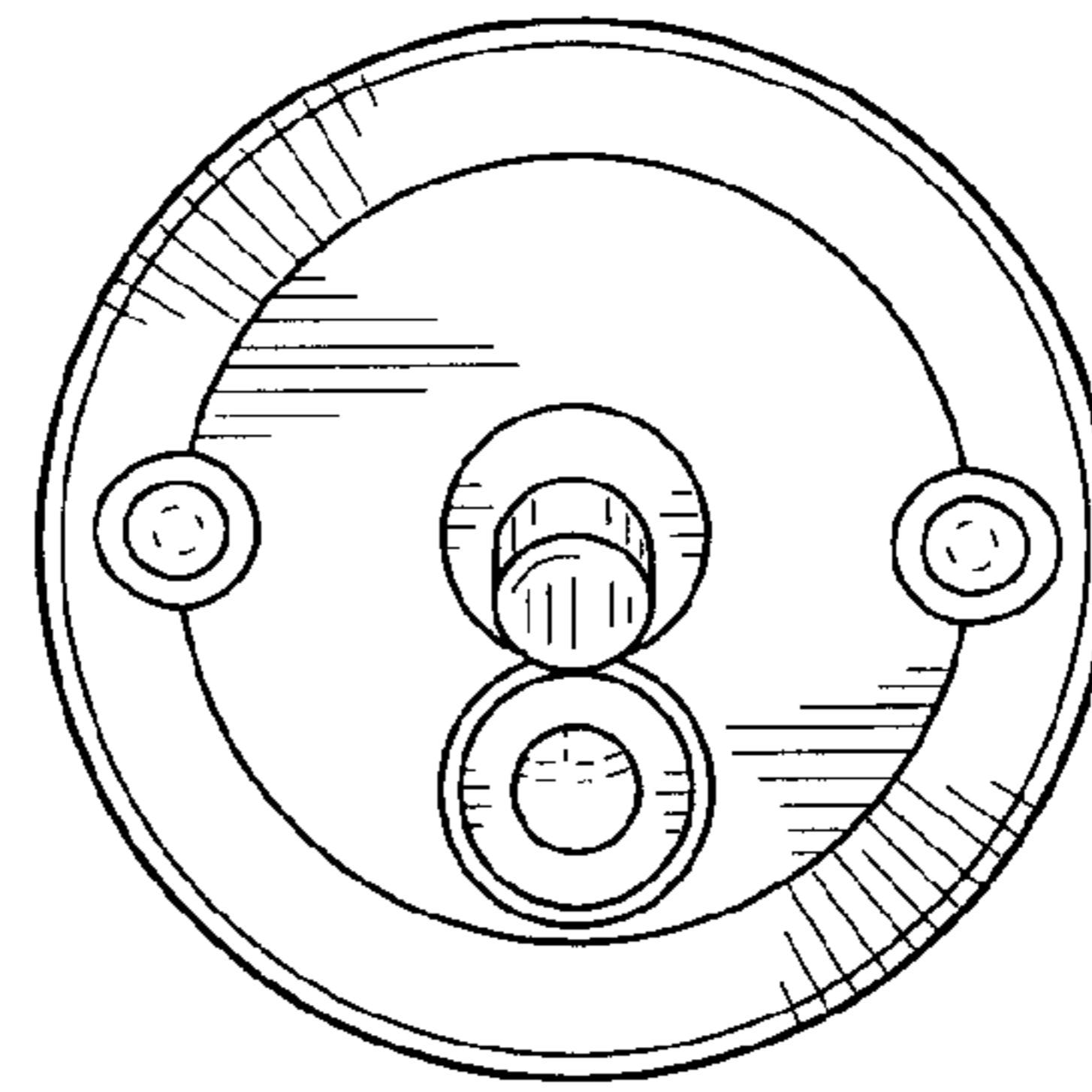


FIG. 7