



US00D611605S

(12) **United States Design Patent**
Hara

(10) **Patent No.:** **US D611,605 S**
(45) **Date of Patent:** **** Mar. 9, 2010**

(54) **BLOOD PRESSURE MEASURING APPARATUS**

(75) Inventor: **Shigehito Hara**, Yokohama (JP)

(73) Assignee: **Panasonic Electric Works Co., Ltd.**,
Osaka (JP)

(**) Term: **14 Years**

(21) Appl. No.: **29/339,085**

(22) Filed: **Jun. 24, 2009**

(30) **Foreign Application Priority Data**

Dec. 24, 2008 (JP) 2008-032808

(51) **LOC (9) Cl.** **24-02**

(52) **U.S. Cl.** **D24/165**

(58) **Field of Classification Search** D24/164-169,
D24/186; D10/98; 600/301, 481, 483-485,
600/490, 493-495, 499, 500, 501; 128/900
See application file for complete search history.

(56) **References Cited**

U.S. PATENT DOCUMENTS

| | | | | |
|--------------|---------|------------------|-------|---------|
| D262,318 S * | 12/1981 | Koshino | | D24/165 |
| D277,133 S * | 1/1985 | Houlihan | | D24/165 |
| D284,029 S * | 5/1986 | Nishibori et al. | | D24/165 |
| D509,591 S * | 9/2005 | Tomioka et al. | | D24/165 |
| D520,638 S * | 5/2006 | Zeindler | | D24/166 |
| D537,944 S * | 3/2007 | Eda et al. | | D24/165 |
| D552,240 S * | 10/2007 | Kishimoto et al. | | D24/165 |
| D583,060 S * | 12/2008 | Kitamura et al. | | D24/165 |
| D583,474 S * | 12/2008 | Mitsunami et al. | | D24/165 |
| D598,551 S * | 8/2009 | Miwa et al. | | D24/186 |

2005/0187485 A1 8/2005 Fumuro et al.

OTHER PUBLICATIONS

U.S. Appl. No. 29/307,383 to Omaki, filed Apr. 16, 2008.

U.S. Appl. No. 29/313,463 to Hara, filed Jan. 8, 2009.

U.S. Appl. No. 29/307,380 to Omaki, filed Apr. 16, 2008.

U.S. Appl. No. 29/339,084 to Hara, filed Jun. 24, 2009.

U.S. Appl. No. 29/339,087 to Hara, filed Jun. 24, 2009.

* cited by examiner

Primary Examiner—T. Chase Nelson

Assistant Examiner—Anhdao Doan

(74) *Attorney, Agent, or Firm*—Greenblum & Bernstein
P.L.C.

(57) **CLAIM**

The ornamental design for a blood pressure measuring apparatus, as shown and described.

DESCRIPTION

FIG. 1 is a perspective view of the front, right and top of a blood pressure measuring apparatus;

FIG. 2 is a front view thereof;

FIG. 3 is a rear view thereof;

FIG. 4 is a right side view thereof;

FIG. 5 is a left side view thereof;

FIG. 6 is a top plan view thereof;

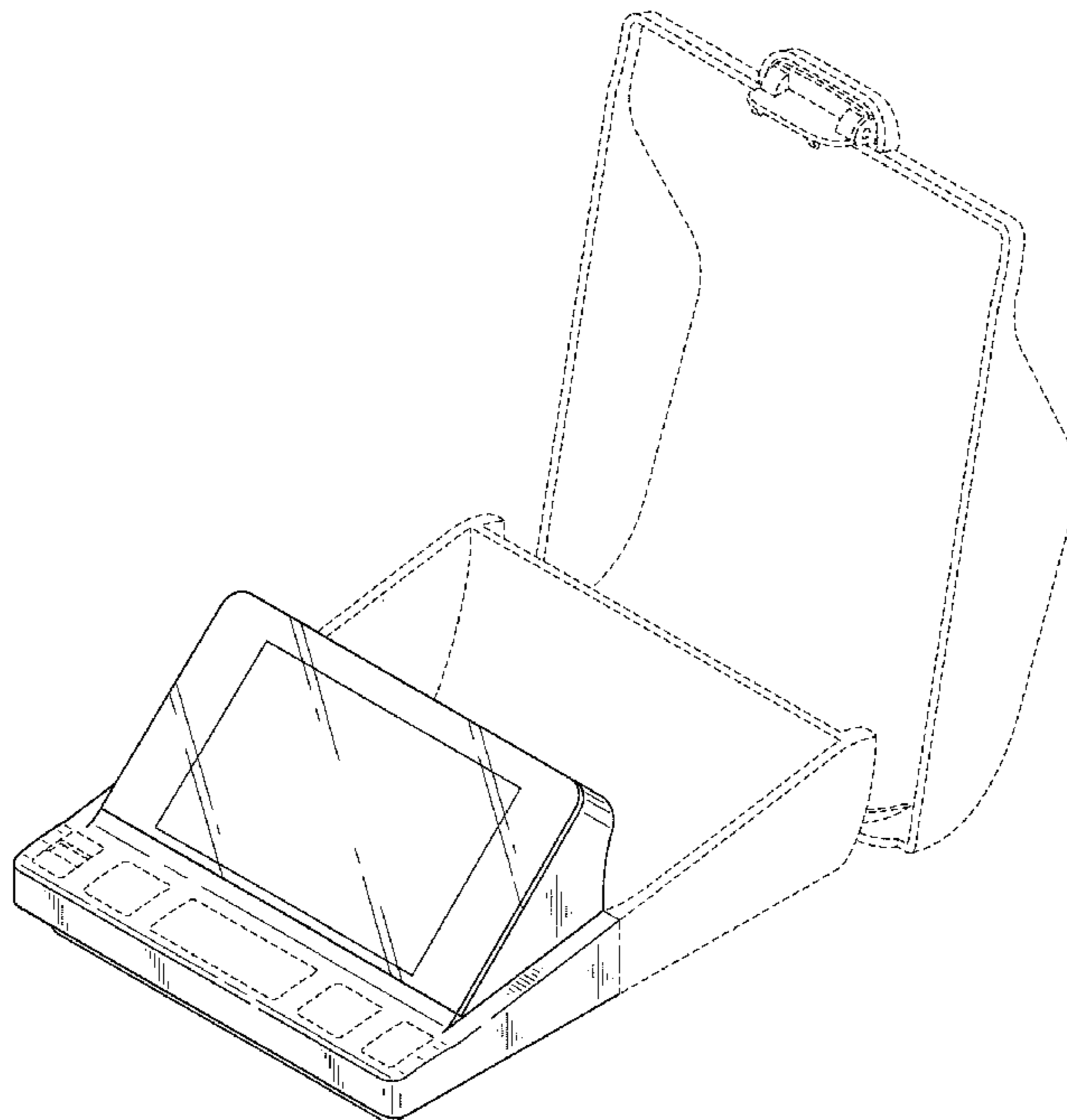
FIG. 7 is a bottom view thereof;

FIG. 8 is a cross sectional view at 8—8 in FIG. 2 thereof; and,

FIG. 9 is a cross sectional view at 9—9 in FIG. 2 thereof.

The elements shown in broken lines are for illustrative purposes only and form no part of the claimed design.

1 Claim, 9 Drawing Sheets



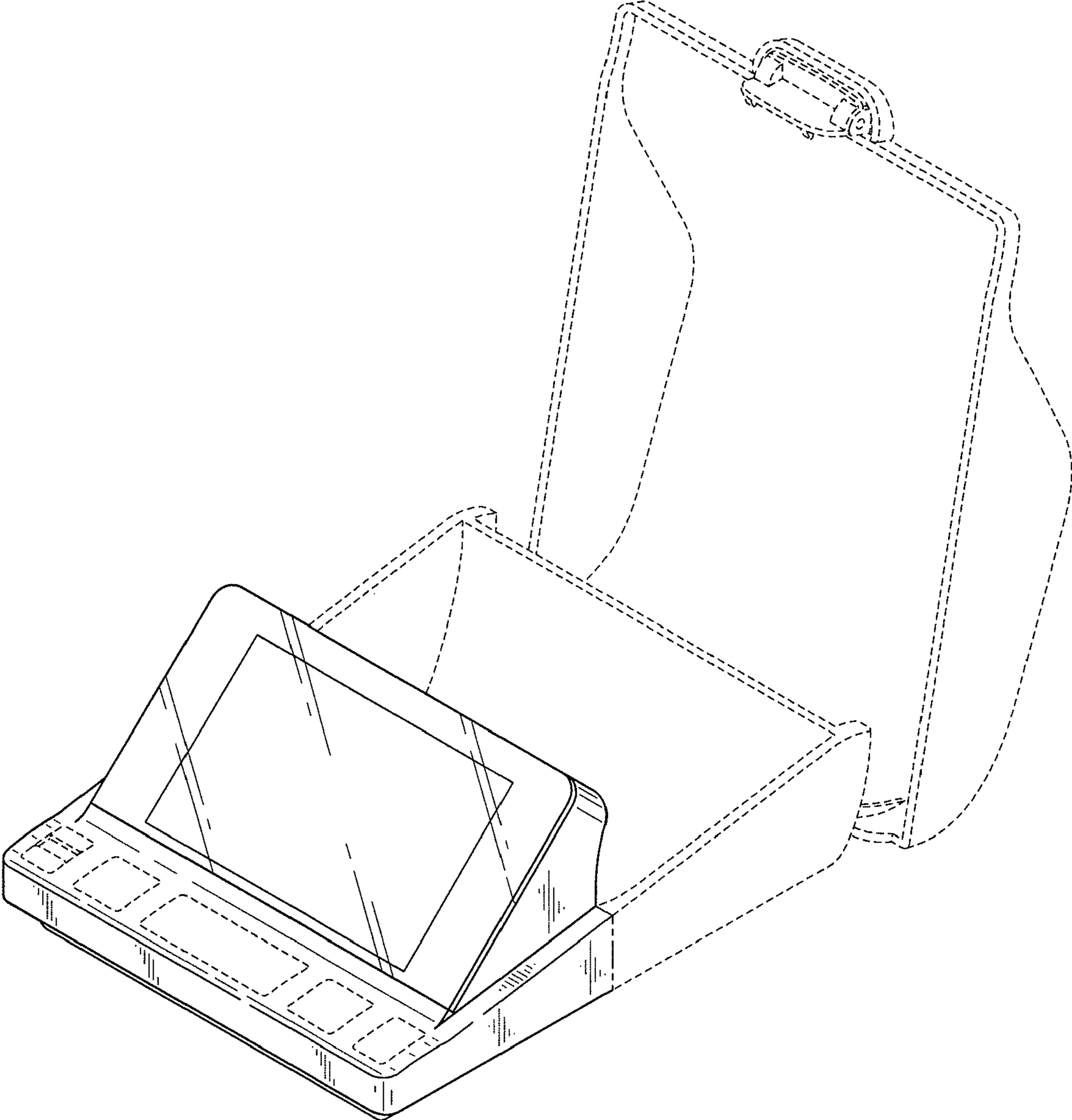


FIG. 1

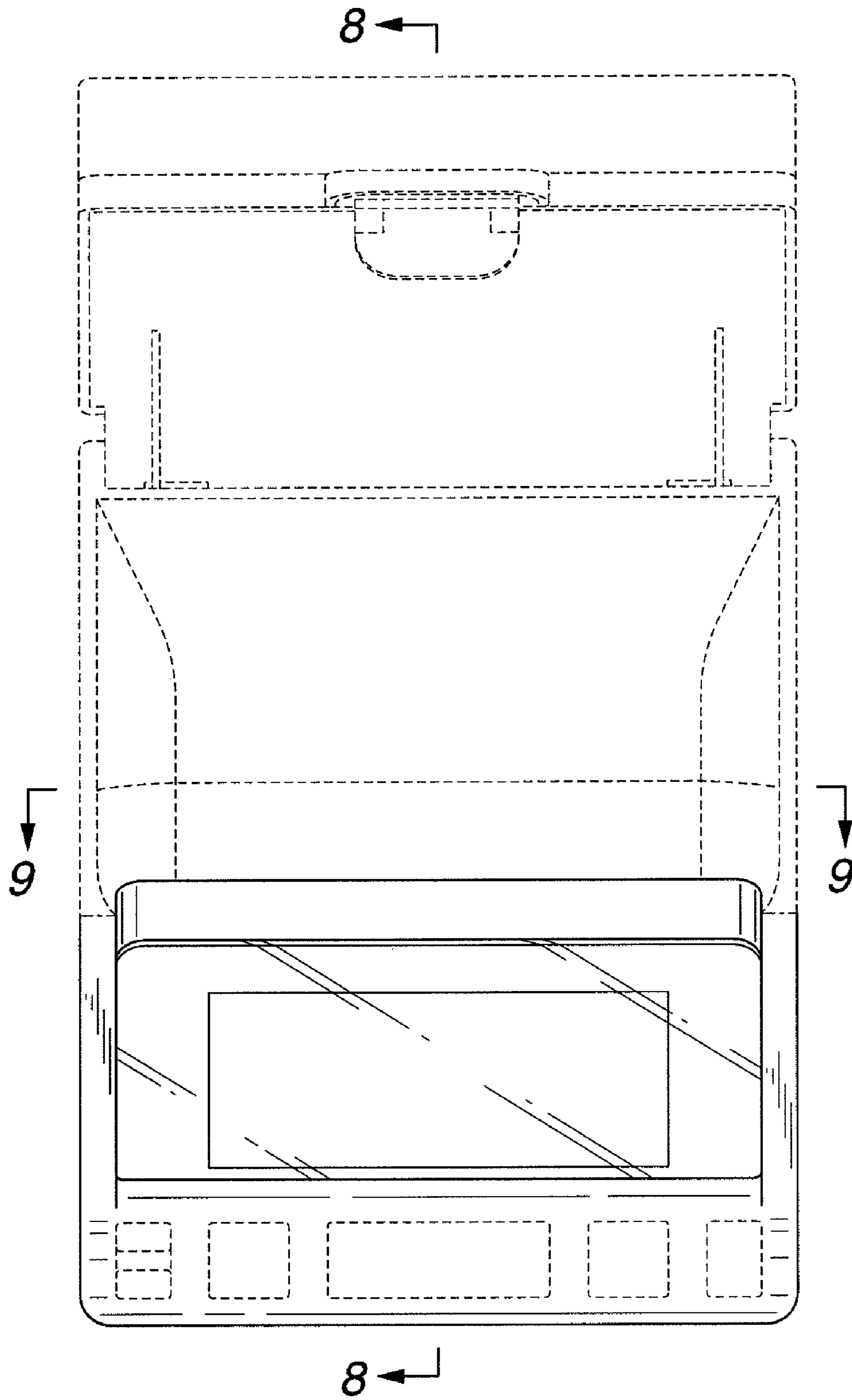


FIG. 2

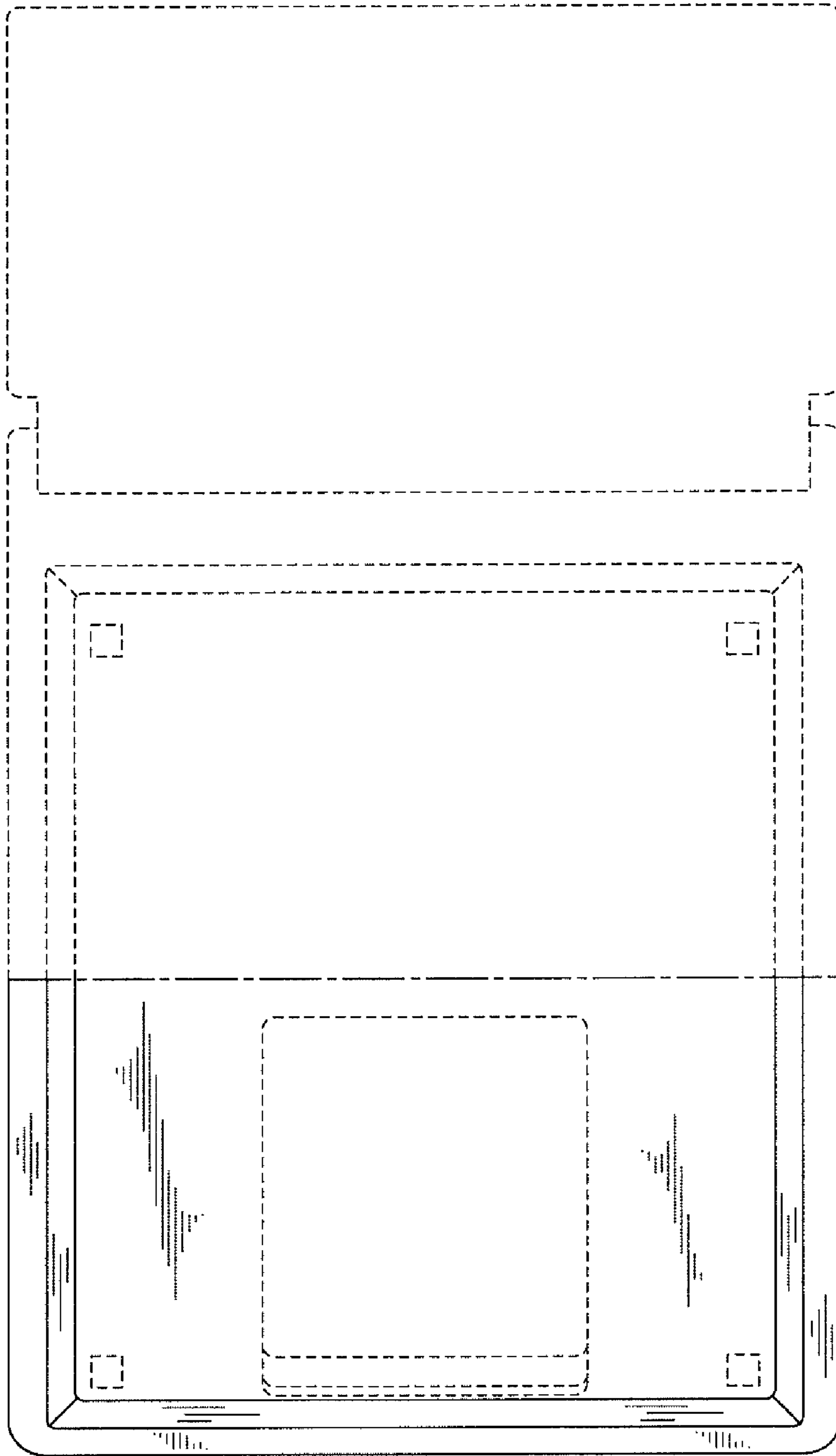


FIG. 3

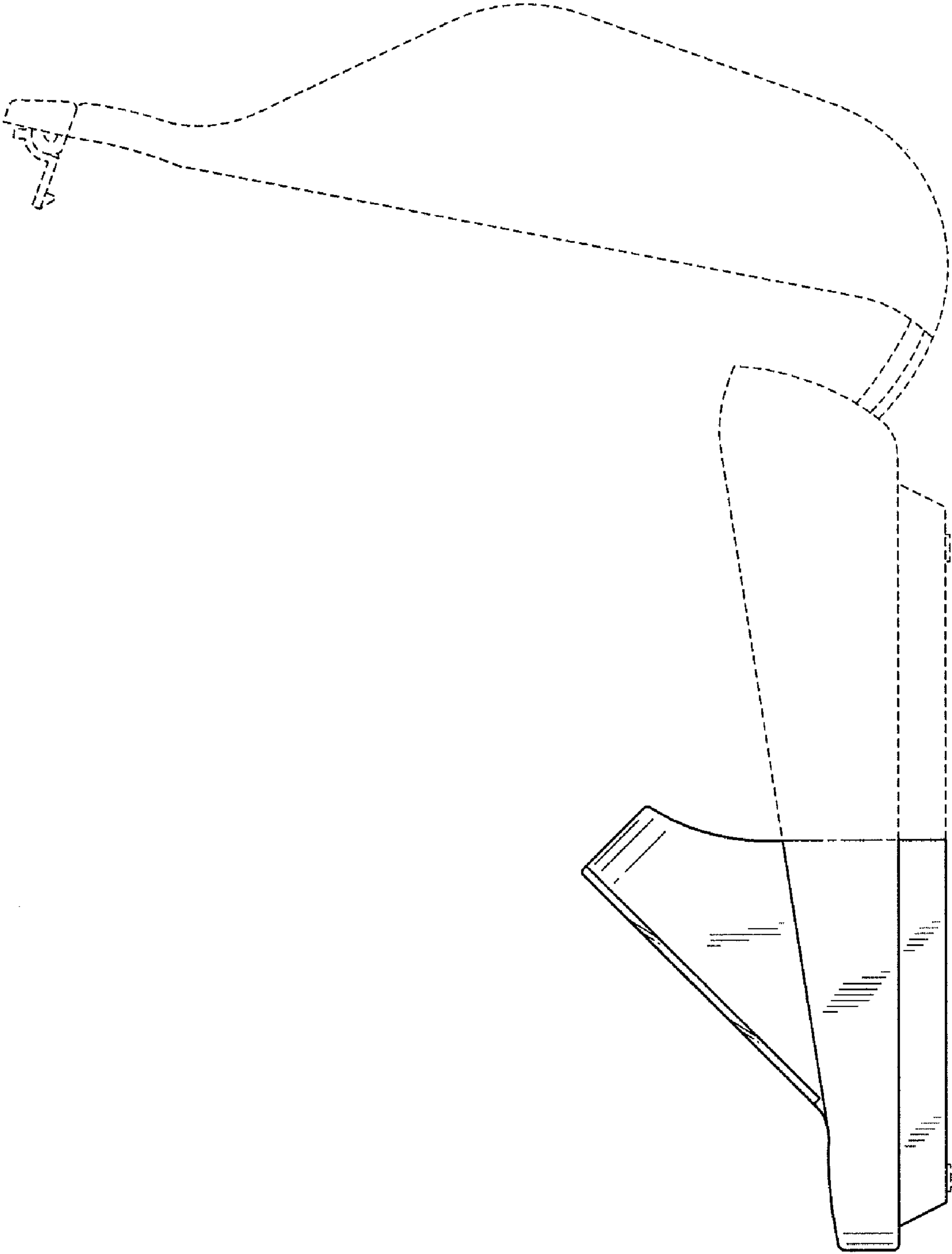


FIG. 4

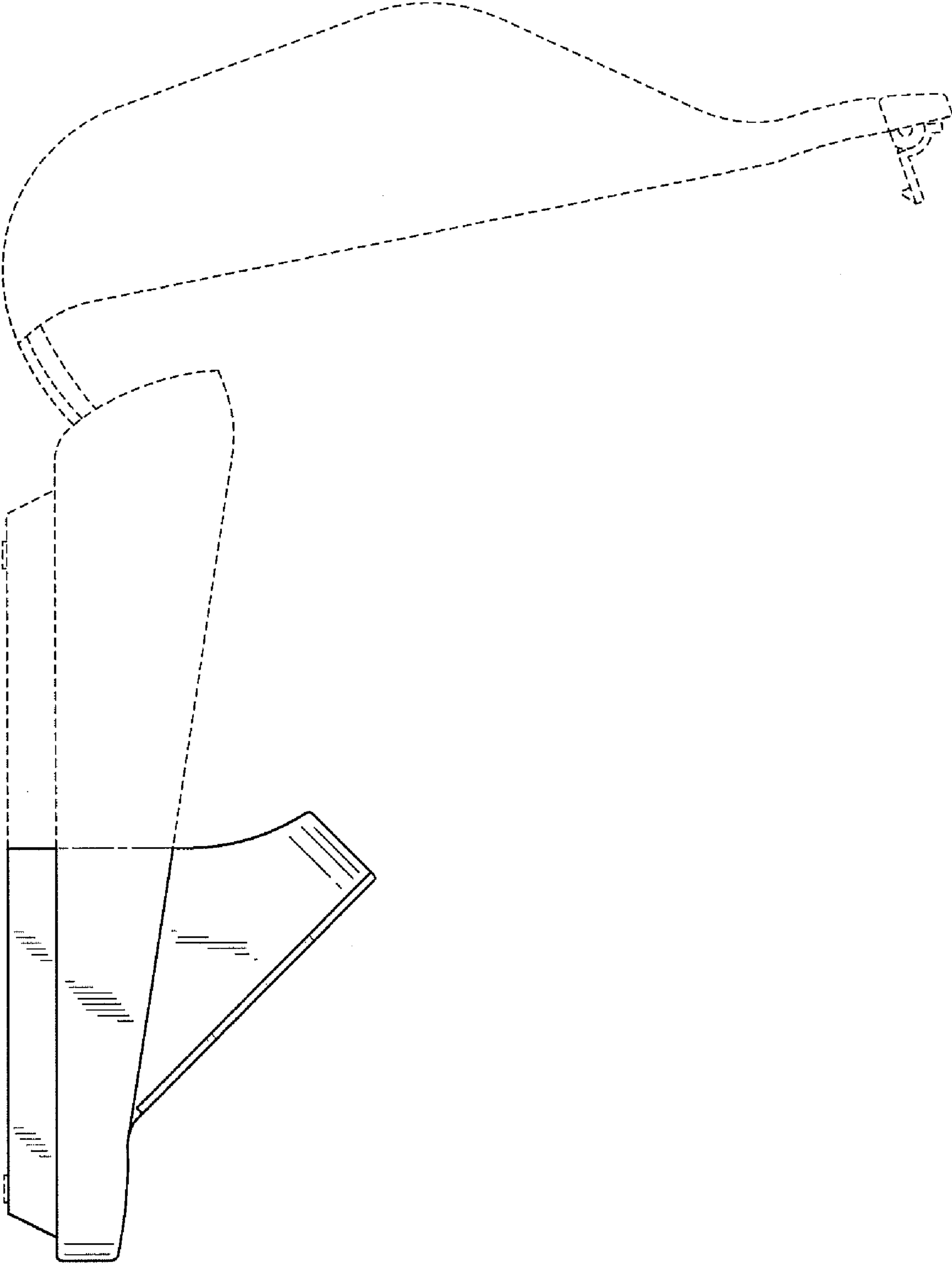


FIG. 5

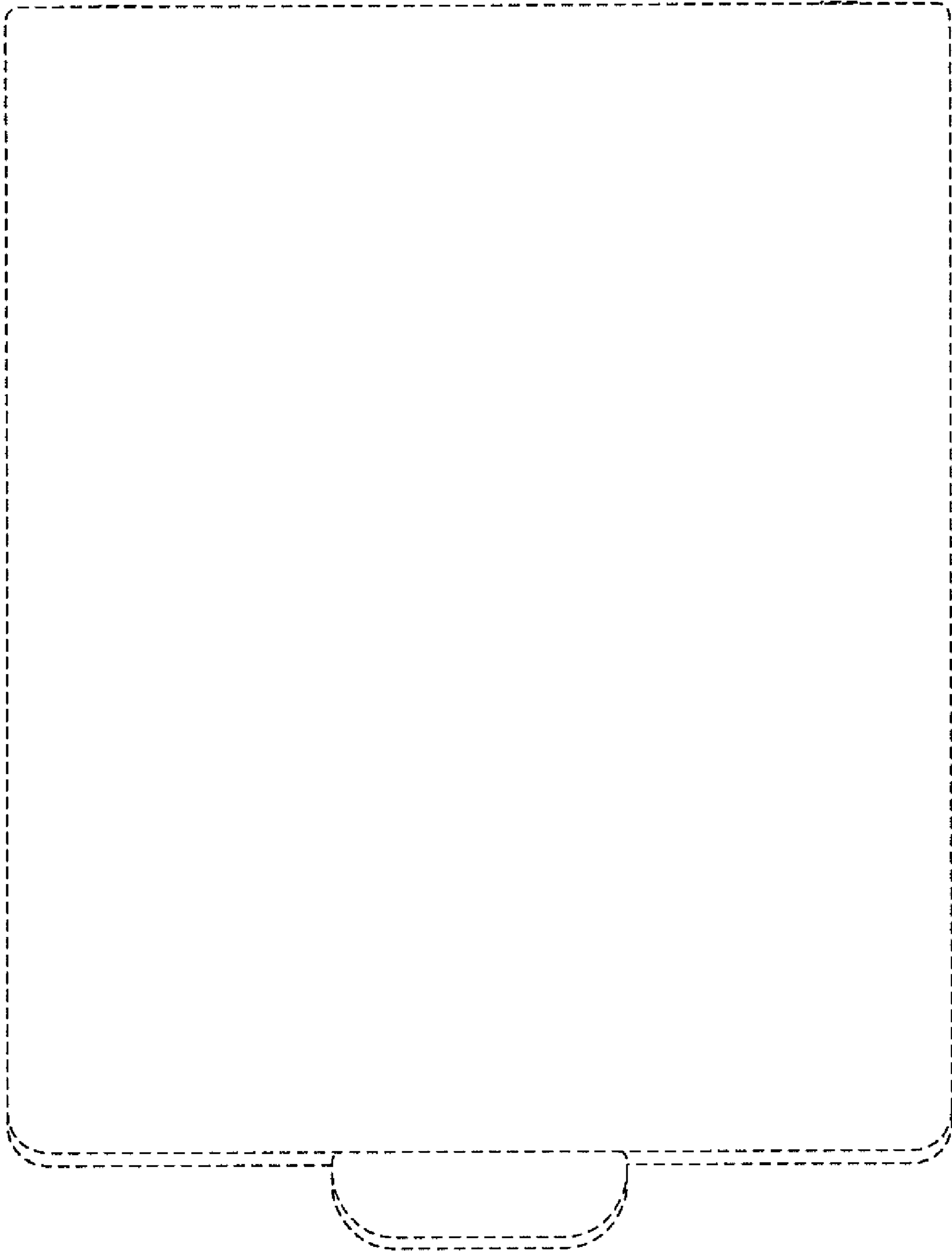


FIG. 6

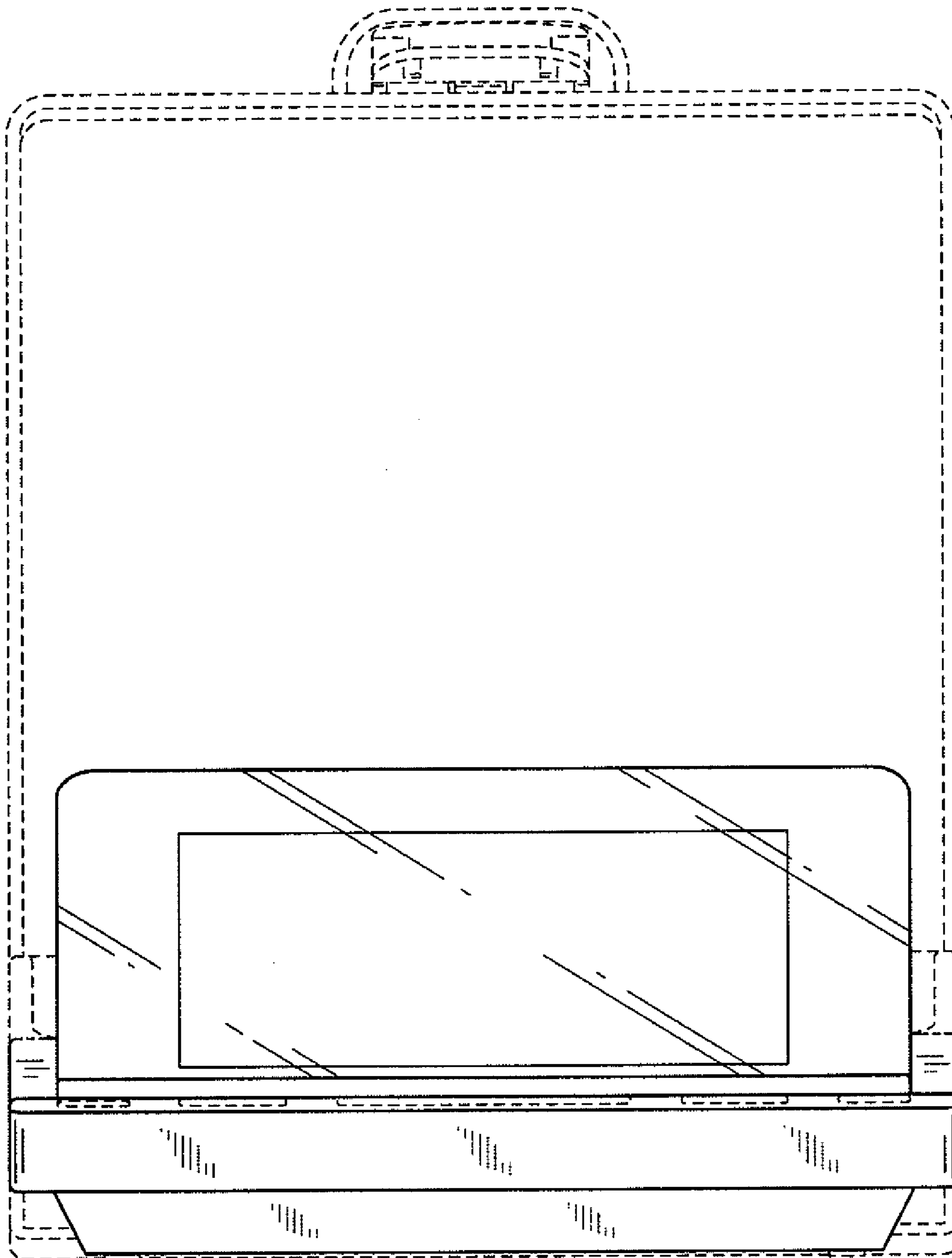


FIG. 7

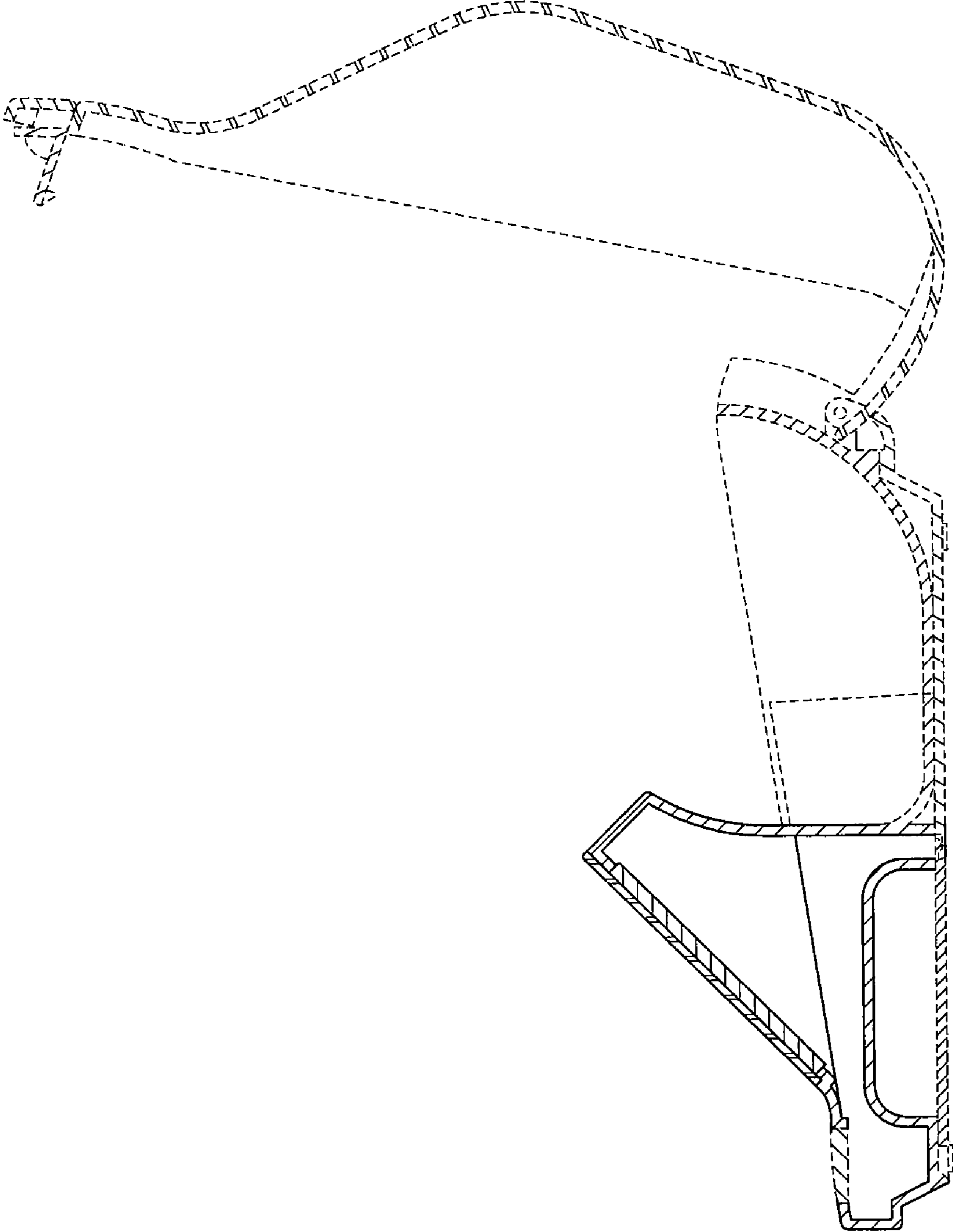


FIG. 8

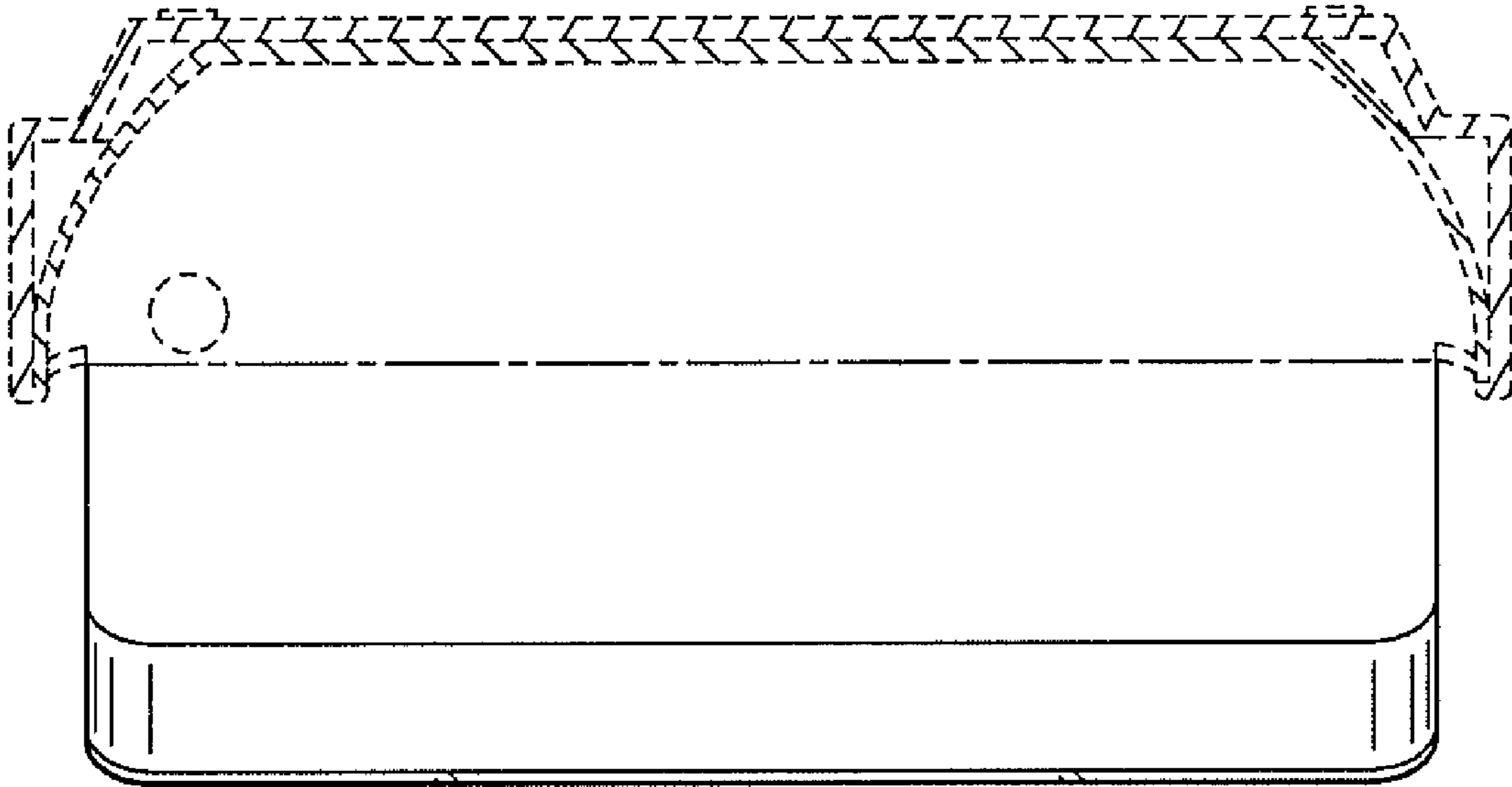


FIG. 9