



US00D611604S

(12) **United States Design Patent**
Aoyagi

(10) **Patent No.:** **US D611,604 S**
(45) **Date of Patent:** **** Mar. 9, 2010**

(54) **DENTAL ABUTMENT**

(75) Inventor: **Shuji Aoyagi**, Tokyo (JP)

(73) Assignee: **GC Corporation**, Tokyo (JP)

(**) Term: **14 Years**

(21) Appl. No.: **29/322,227**

(22) Filed: **Jul. 31, 2008**

(51) **LOC (9) Cl.** **24-03**

(52) **U.S. Cl.** **D24/156**

(58) **Field of Classification Search** D24/155,
D24/156, 180, 176; D8/387, 176; 433/173,
433/176; 606/304, 74, 72

See application file for complete search history.

(56) **References Cited**

U.S. PATENT DOCUMENTS

D353,674 S *	12/1994	Jorneus	D24/156
D443,361 S *	6/2001	Hurson	D24/156
6,857,874 B2 *	2/2005	Kim	433/173
D528,210 S *	9/2006	Boettcher	D24/156
D562,453 S *	2/2008	Rassoli	D24/156
D562,455 S *	2/2008	Rassoli	D24/156
D567,947 S *	4/2008	Lerner et al.	D24/156
D587,371 S *	2/2009	Purga et al.	D24/156
D587,372 S *	2/2009	Purga et al.	D24/156

D587,373 S * 2/2009 Purga et al. D24/156

* cited by examiner

Primary Examiner—Charles A Rademaker

(74) *Attorney, Agent, or Firm*—Oblon, Spivak, McClelland,
Maier & Neustadt, L.L.P.

(57) **CLAIM**

The ornamental design for a dental abutment, as shown and described.

DESCRIPTION

FIG. 1 is a front elevational view of a dental abutment, showing my design;

FIG. 2 is a rear elevational view thereof;

FIG. 3 is a left side elevational view thereof;

FIG. 4 is a right side elevational view thereof;

FIG. 5 is a top plan view thereof;

FIG. 6 is a bottom plan view thereof;

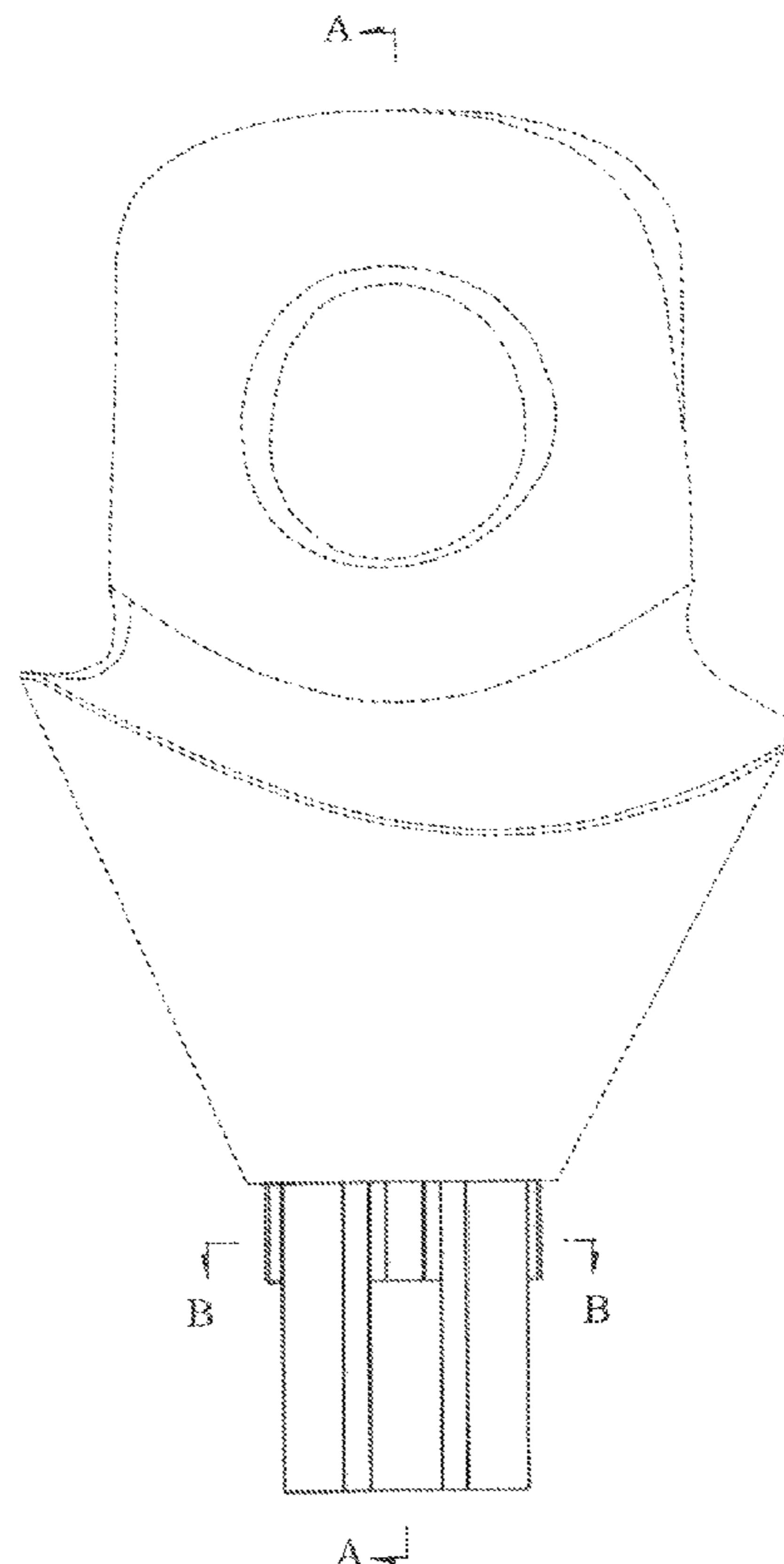
FIG. 7 is a top and right front perspective view thereof;

FIG. 8 is a cross-sectional view thereof taken along line A—A in FIG. 1; and,

FIG. 9 is a cross-sectional view thereof taken along line B—B in FIG. 1.

The broken line showing in the figures is for illustrative purposes only and forms no part of the claimed design.

1 Claim, 9 Drawing Sheets



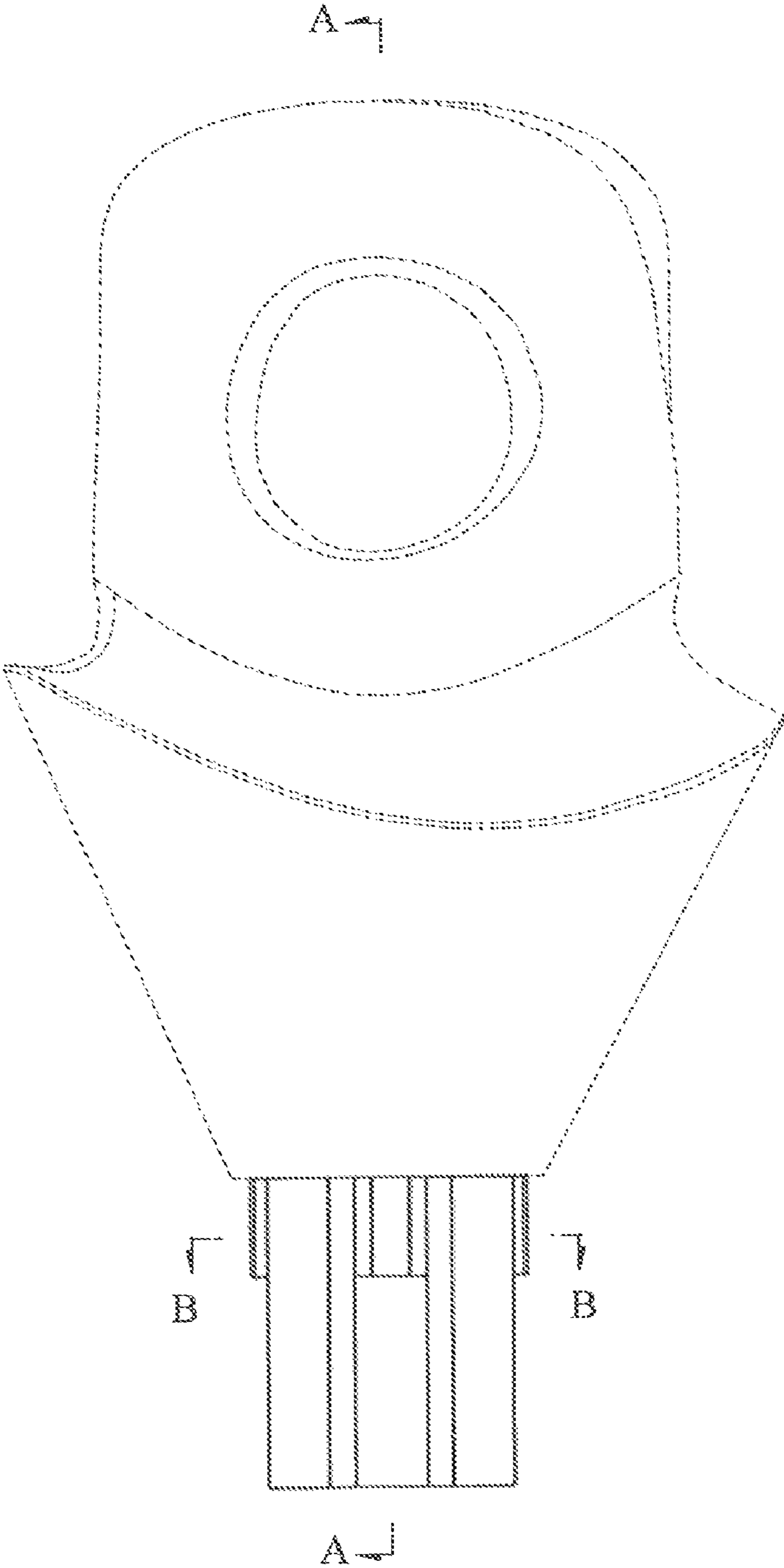


FIG. 1

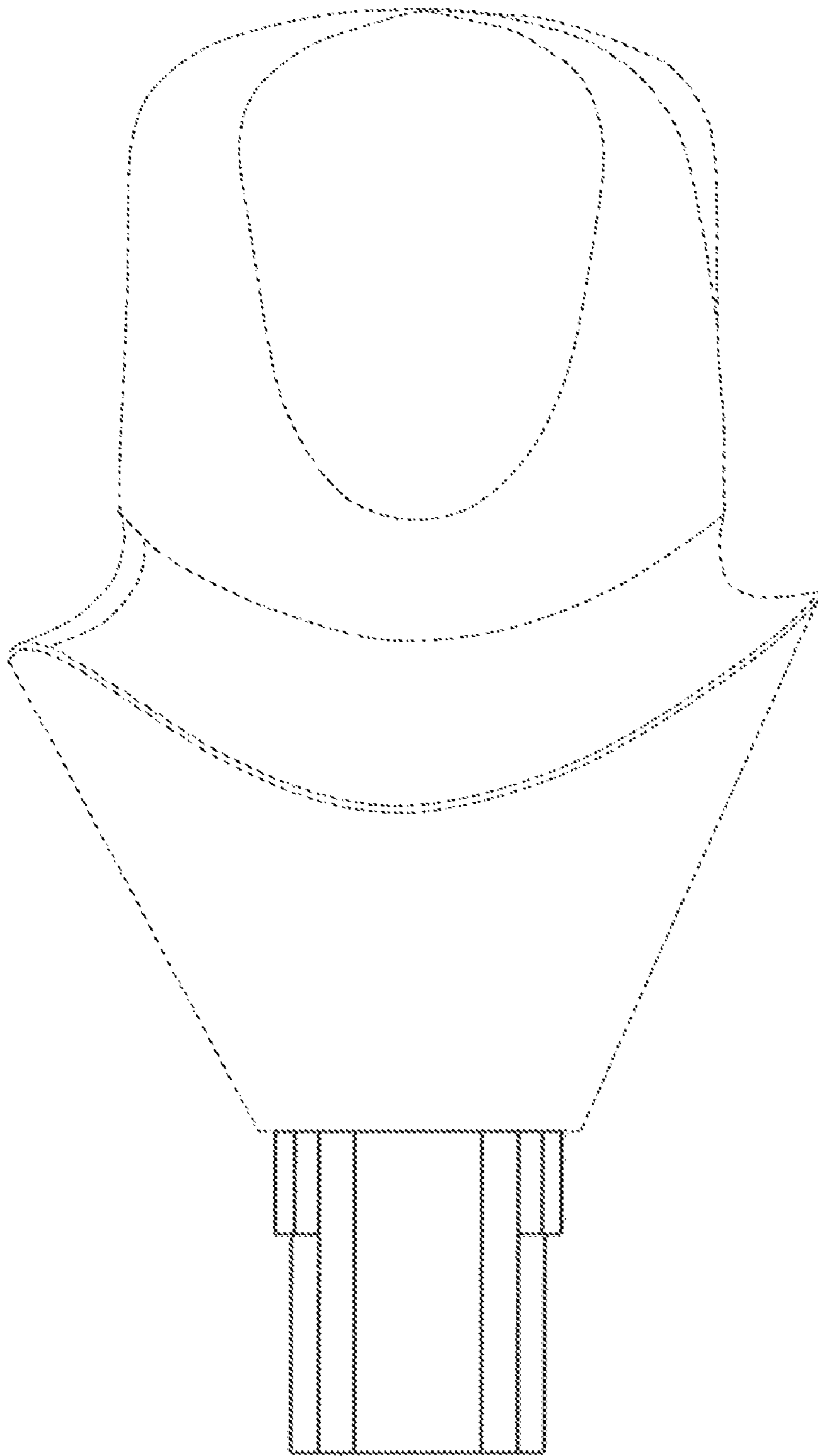


FIG. 2

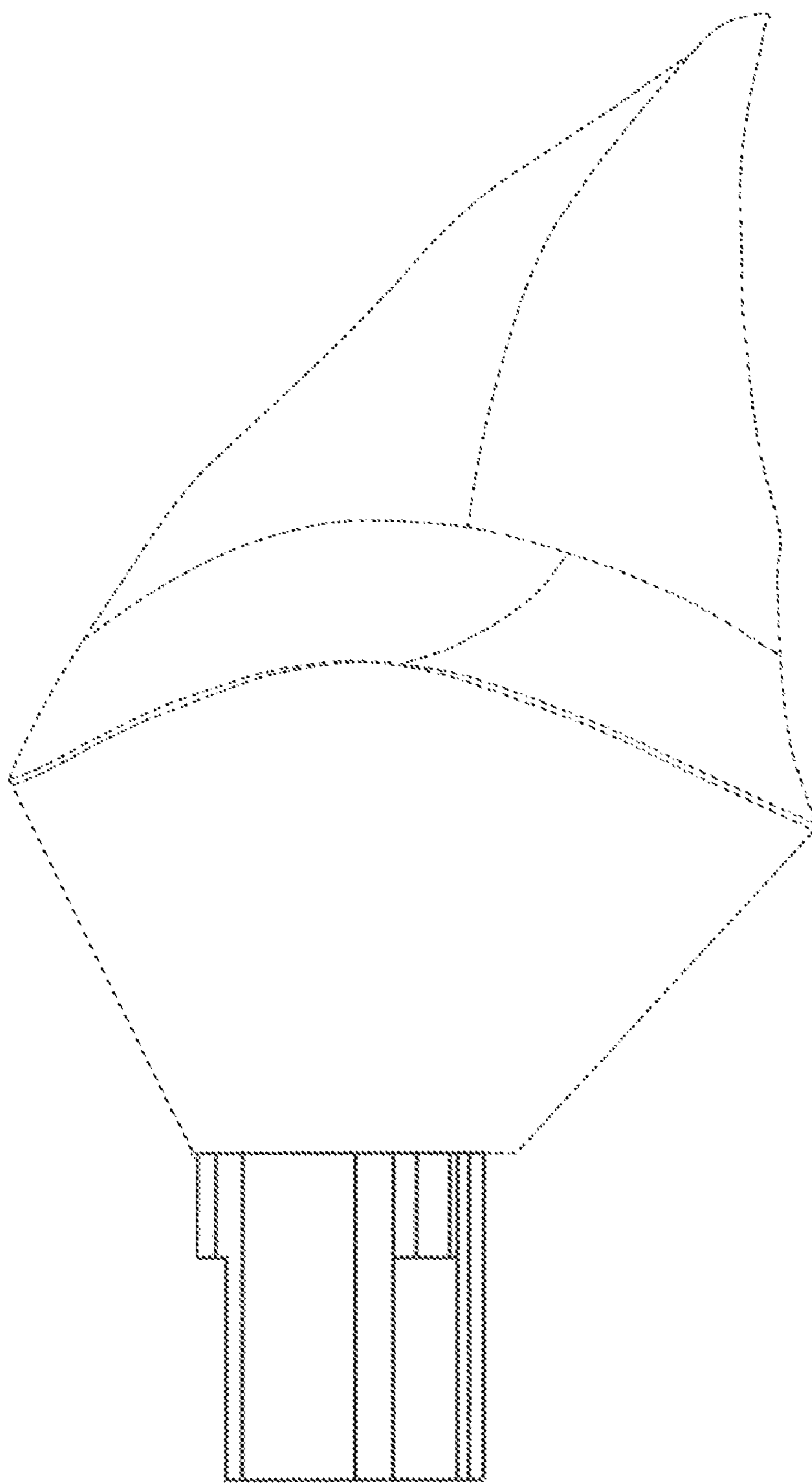


FIG. 3

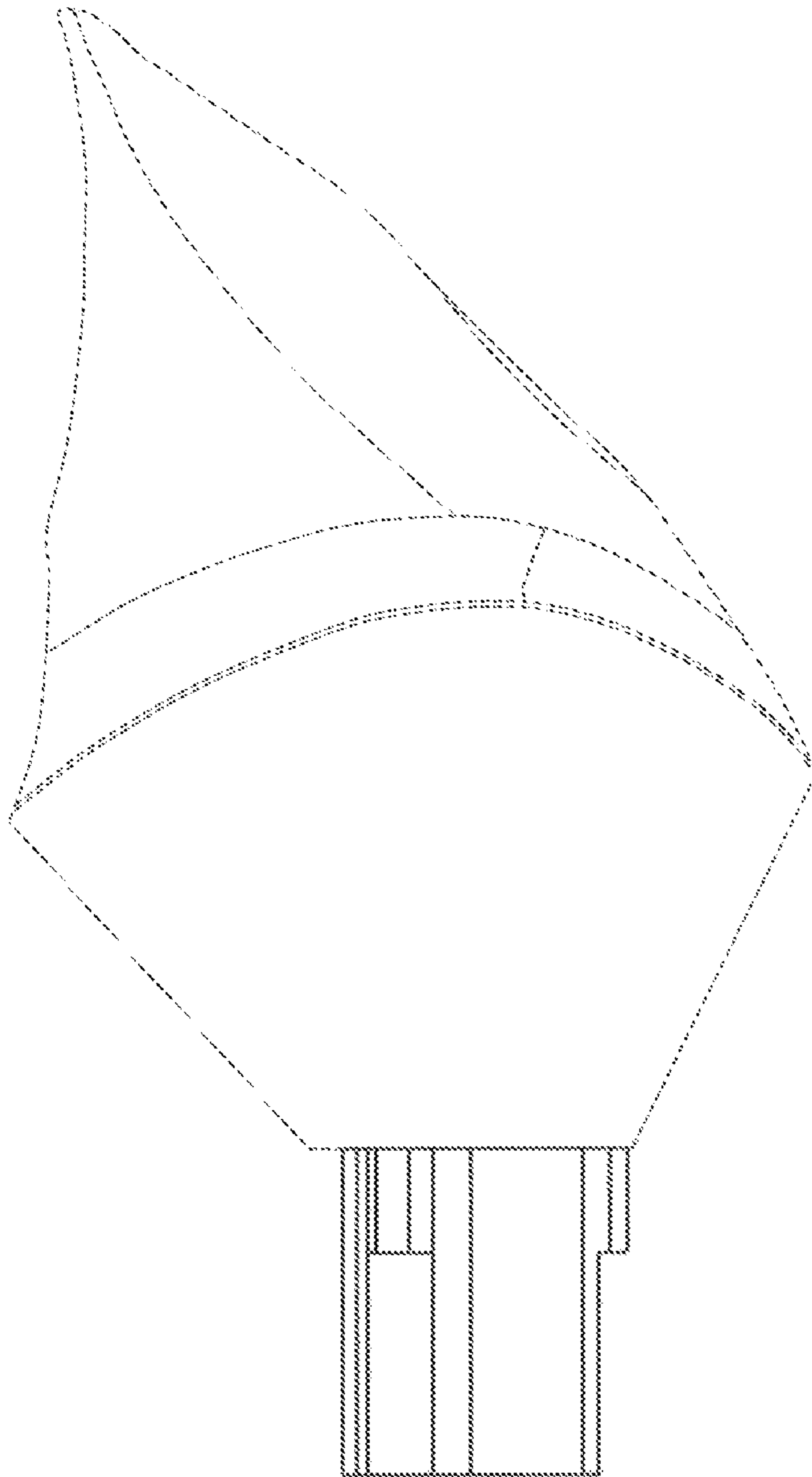


FIG. 4

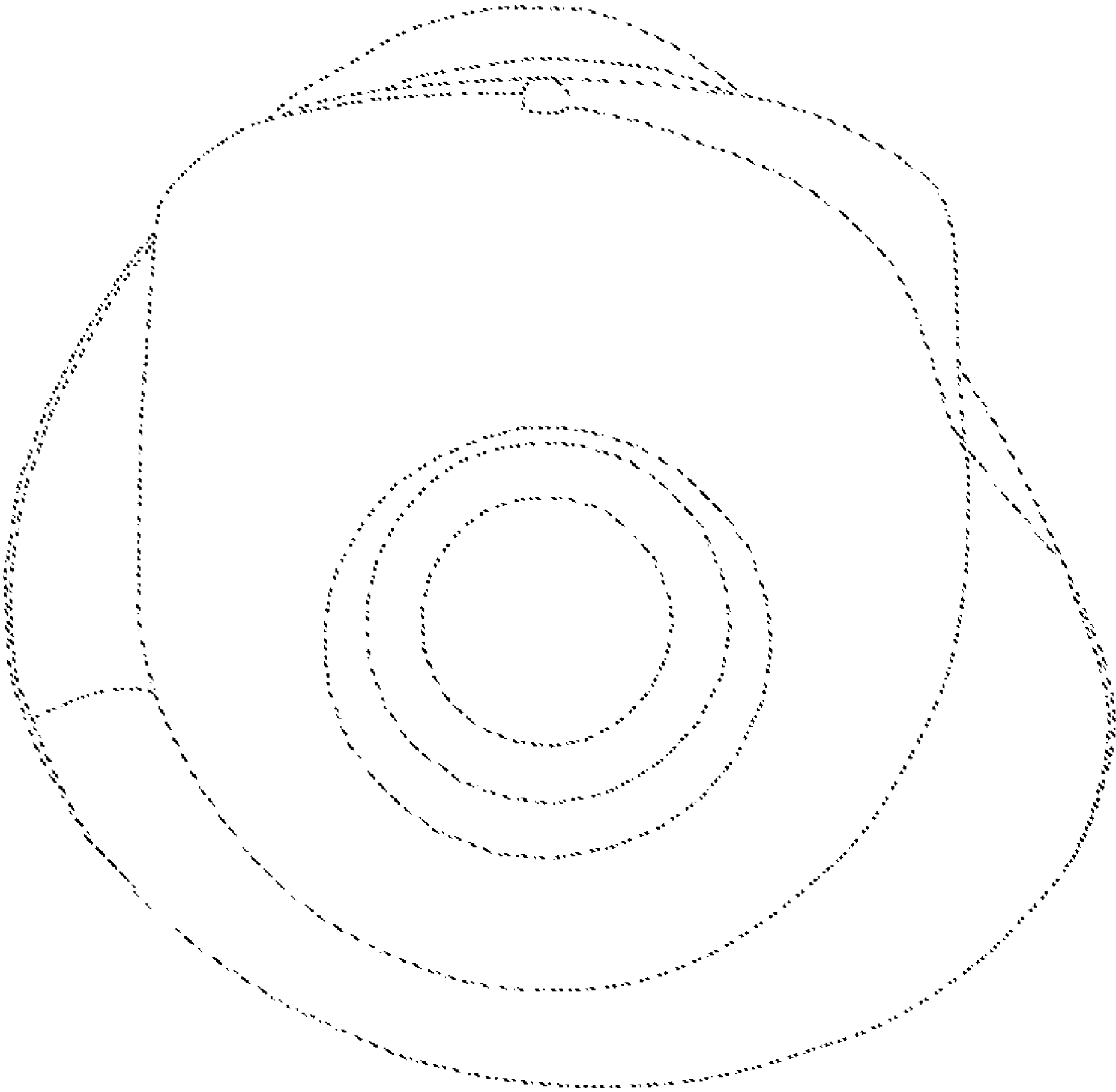


FIG. 5

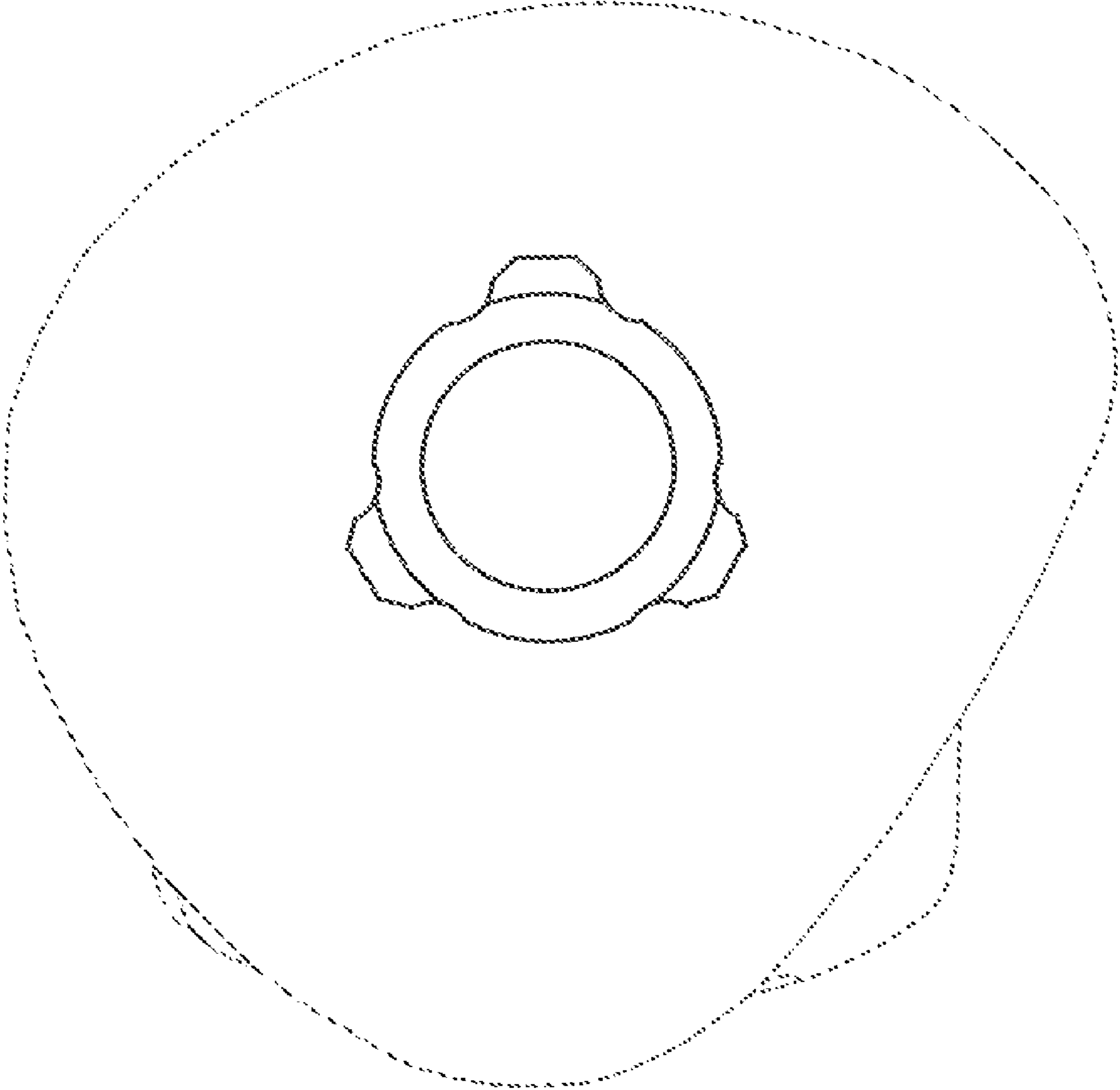


FIG. 6

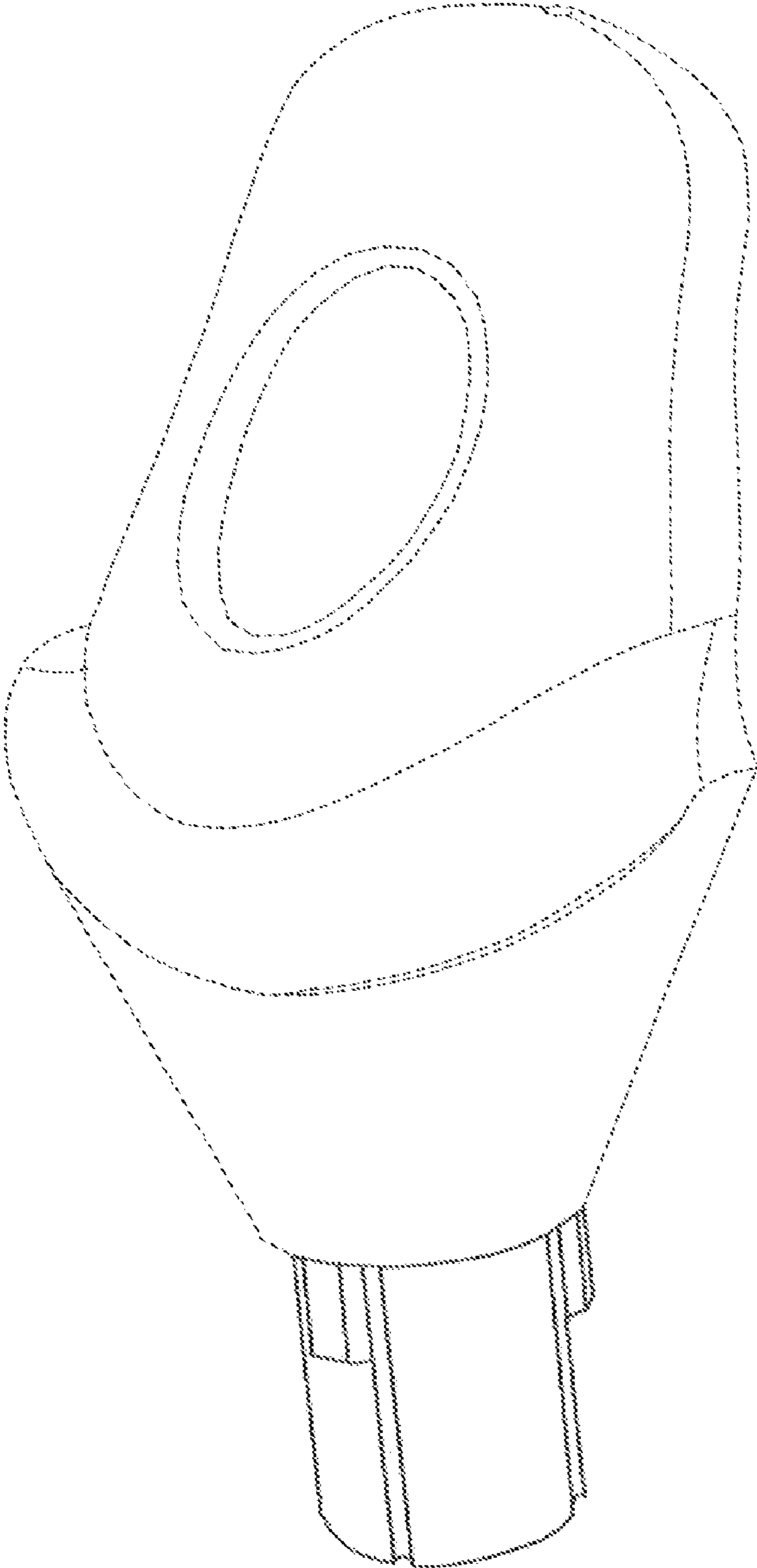


FIG. 7

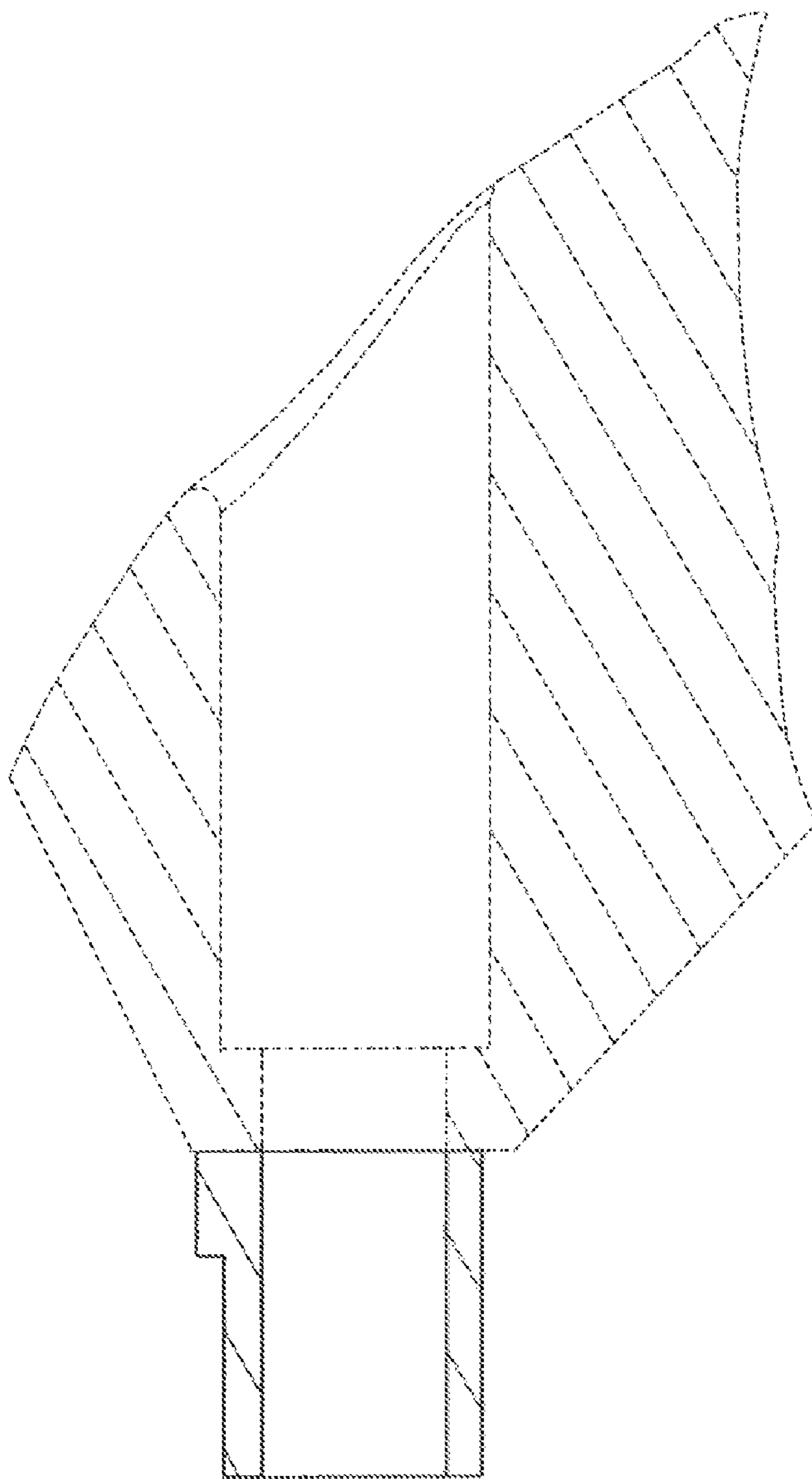


FIG. 8

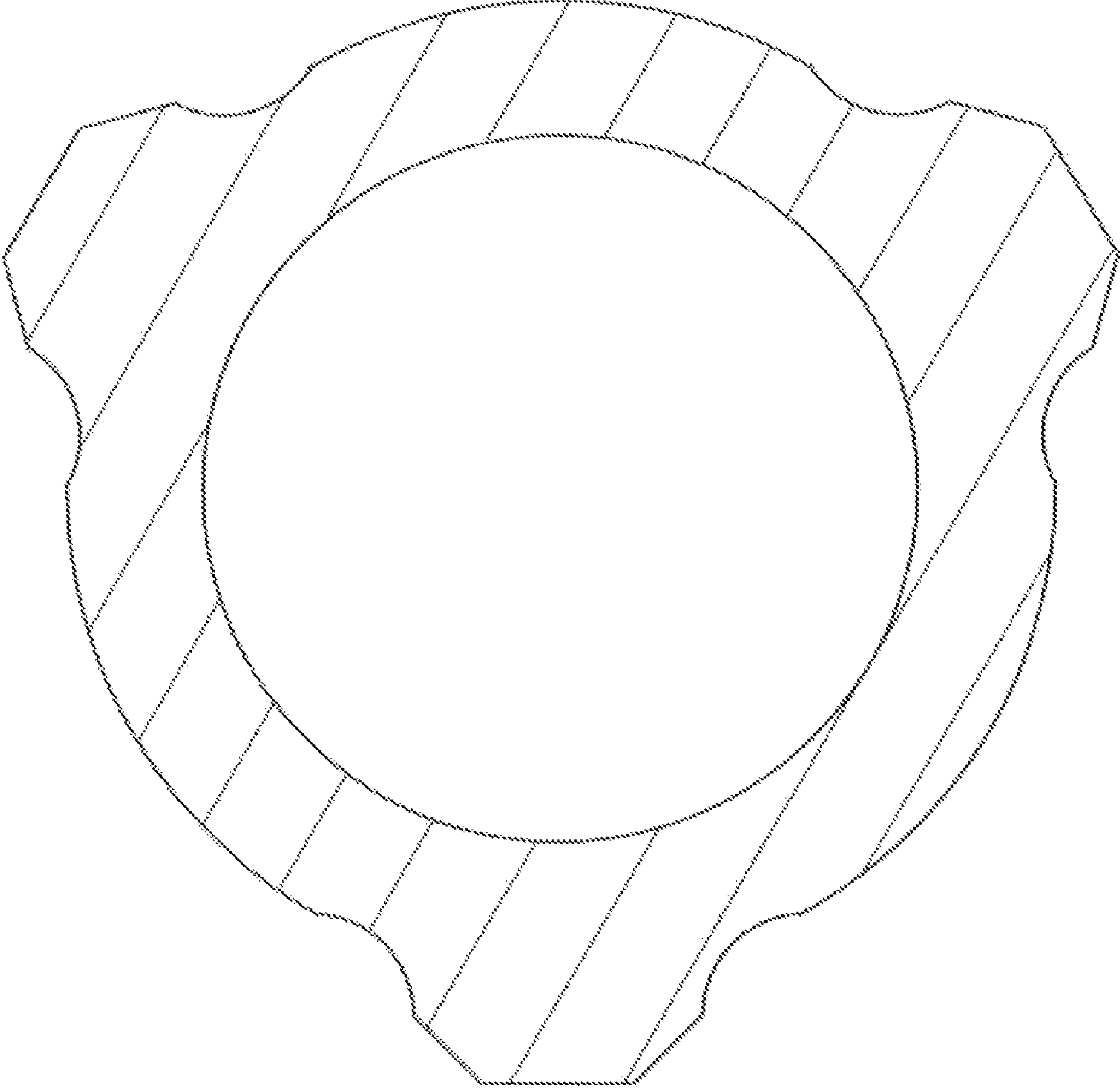


FIG. 9