



US00D611600S

(12) **United States Design Patent**  
**Stammlberger et al.**

(10) **Patent No.:** **US D611,600 S**  
(45) **Date of Patent:** **\*\* Mar. 9, 2010**

(54) **SHAFT FOR AN ENDOSCOPE**  
(75) Inventors: **Heinz Stammlberger**, Graz (AT);  
**Hans-Peter Eisele**, Tuttlingen (DE)  
(73) Assignee: **Karl Storz GmbH & Co. KG** (DE)  
(\*\*) Term: **14 Years**  
(21) Appl. No.: **29/330,684**  
(22) Filed: **Jan. 13, 2009**  
(30) **Foreign Application Priority Data**  
Jul. 14, 2008 (EM) ..... 000969597  
(51) **LOC (9) Cl.** ..... **24-02**  
(52) **U.S. Cl.** ..... **D24/138**  
(58) **Field of Classification Search** ..... D24/133,  
D24/135, 176, 152, 156, 140, 141, 143, 137,  
D24/138; 600/206, 214, 164, 157, 156, 200,  
600/113, 135, 138, 121, 131, 153; 606/191,  
606/196, 197, 198  
See application file for complete search history.

(56) **References Cited**  
U.S. PATENT DOCUMENTS  
D269,904 S \* 7/1983 Shimonaka ..... D24/138  
6,004,264 A \* 12/1999 Sano et al. .... 600/178  
D454,638 S \* 3/2002 Topala ..... D24/138

D459,475 S \* 6/2002 Topala ..... D24/138  
D533,941 S \* 12/2006 Furst et al. .... D24/138  
D536,790 S \* 2/2007 Michel et al. .... D24/137  
D548,340 S \* 8/2007 Michel et al. .... D24/138  
2004/0260151 A1 \* 12/2004 Akiba ..... 600/159

\* cited by examiner

*Primary Examiner*—Charles A Rademaker  
*Assistant Examiner*—Charles D Hanson  
(74) *Attorney, Agent, or Firm*—St. Onge Steward Johnston & Reens LLC

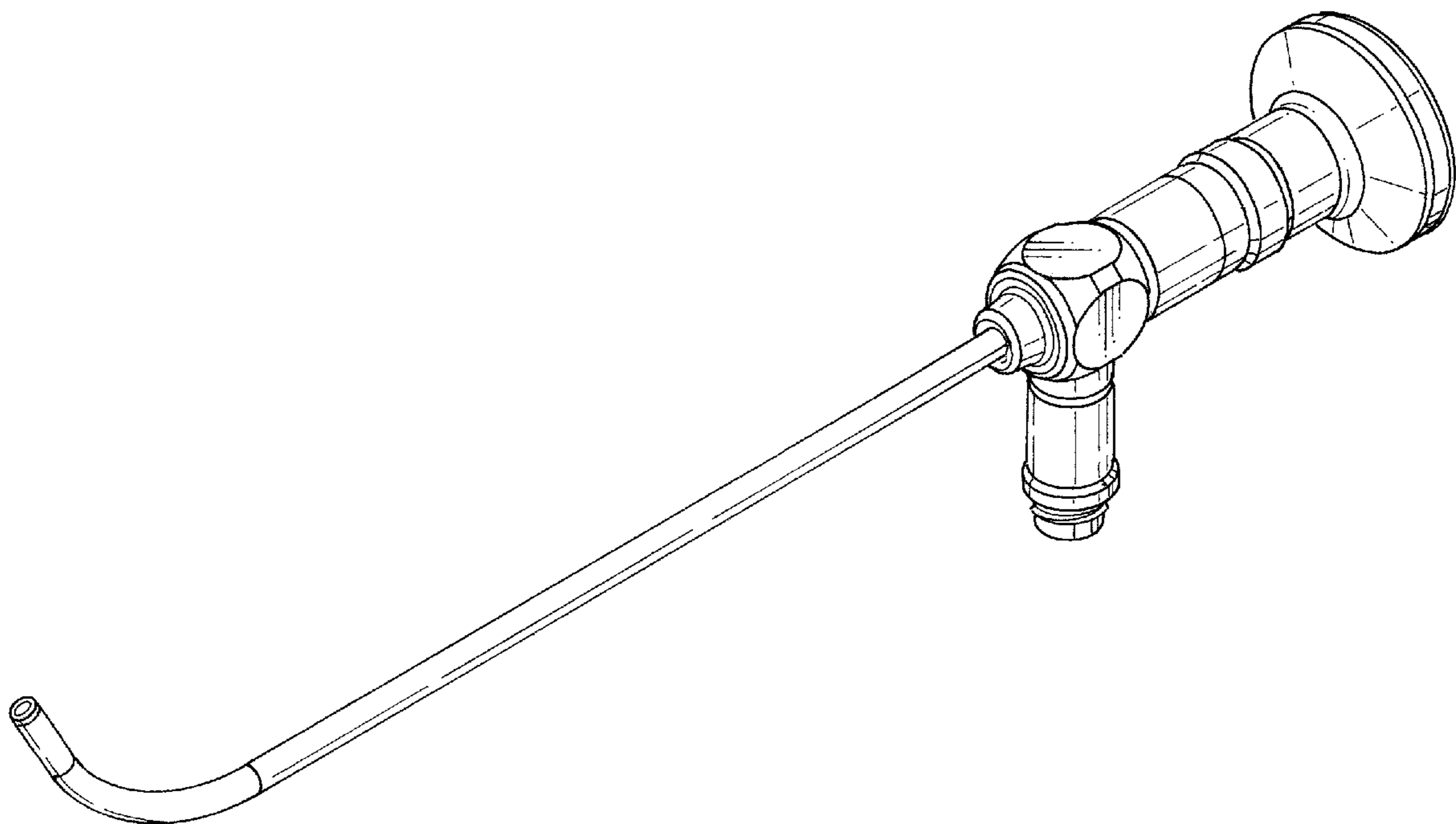
(57) **CLAIM**

The ornamental design for a shaft for an endoscope, as shown and described.

**DESCRIPTION**

FIG. 1 is a top isometric view of a shaft for an endoscope in accordance with the new design;  
FIG. 2 is a left side view thereof;  
FIG. 3 is a right side view thereof;  
FIG. 4 is a top view thereof;  
FIG. 5 is a bottom view thereof;  
FIG. 6 is a rear view thereof; and,  
FIG. 7 is a front view thereof.

**1 Claim, 4 Drawing Sheets**



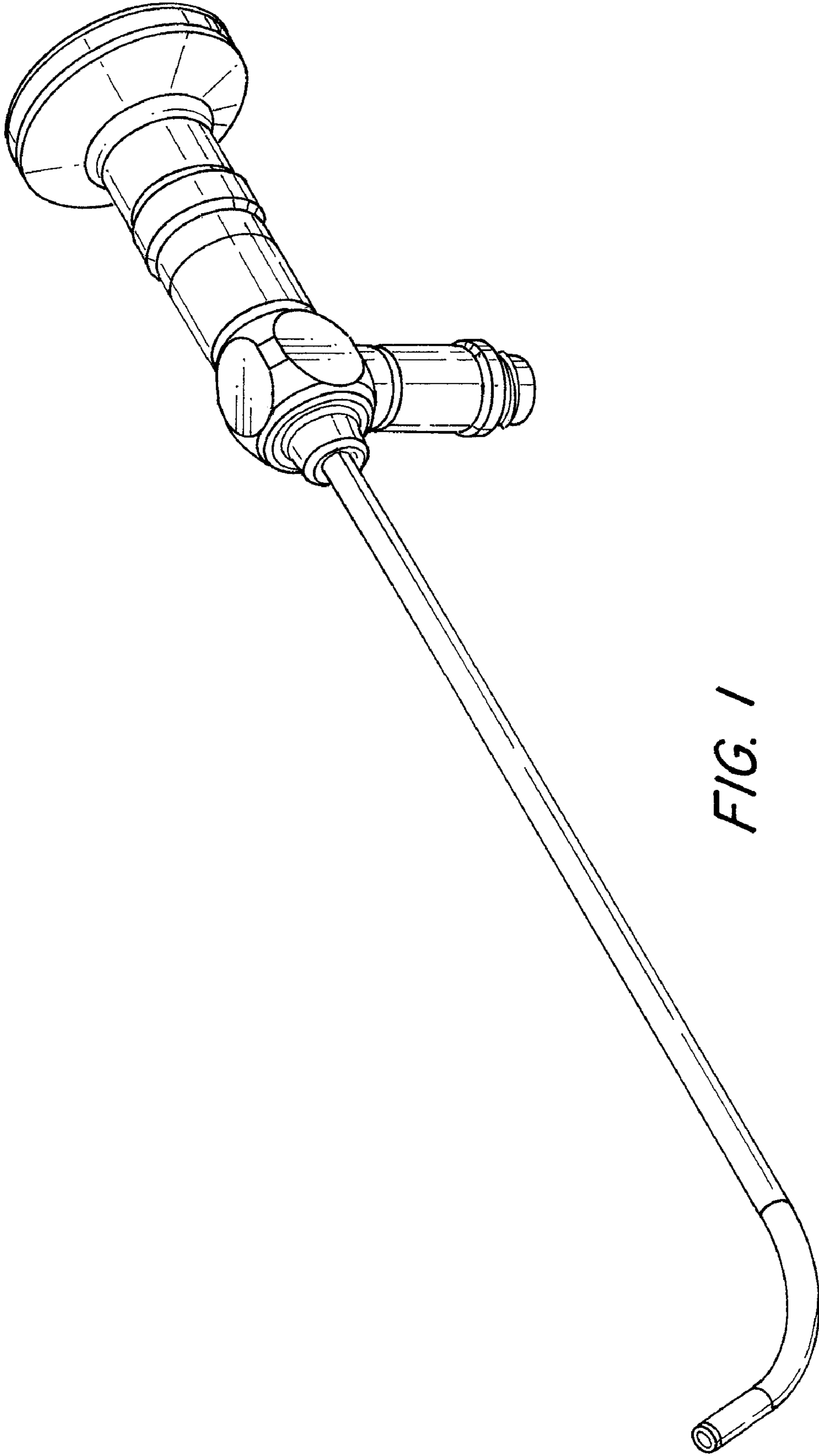
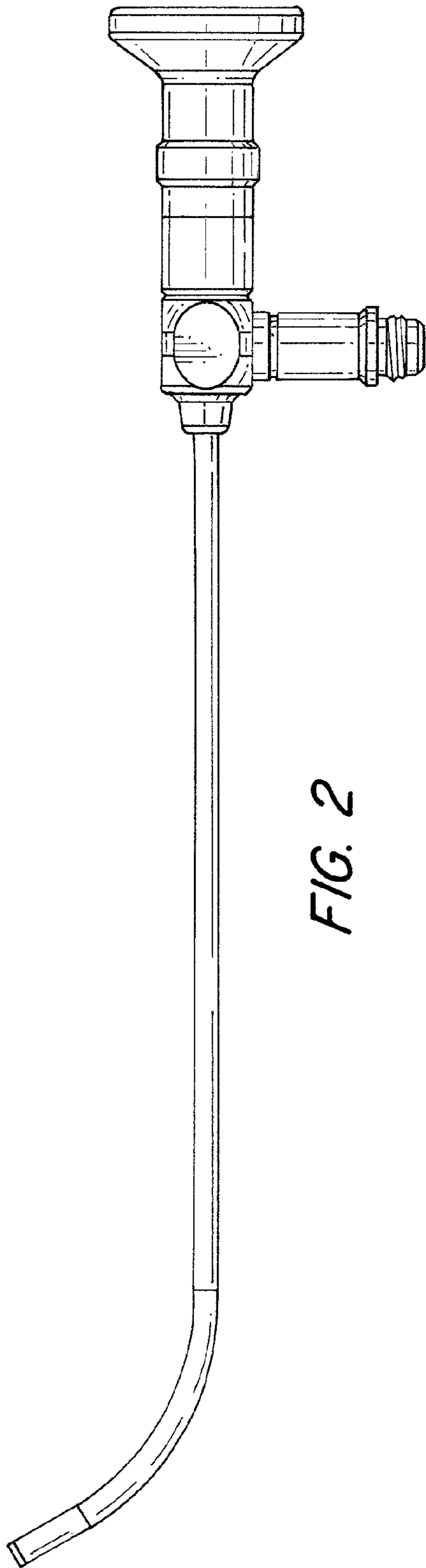
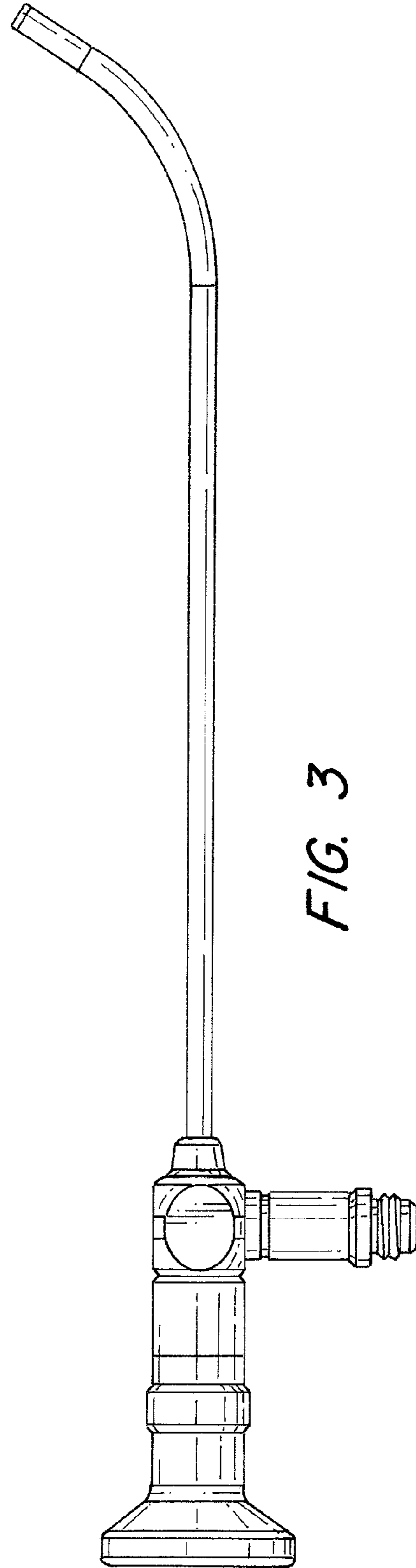


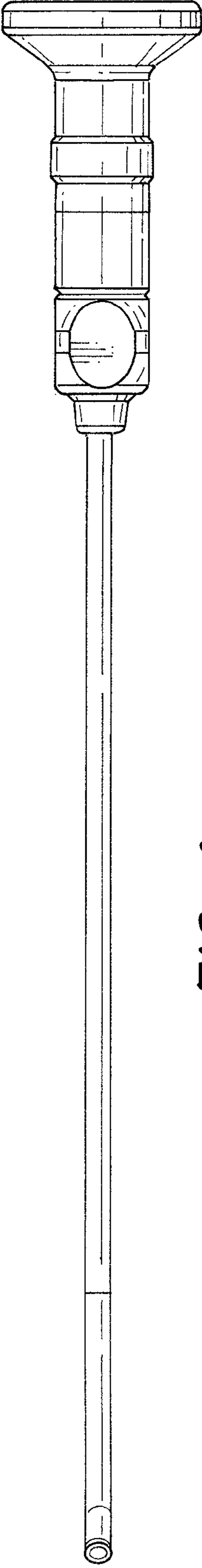
FIG. 1



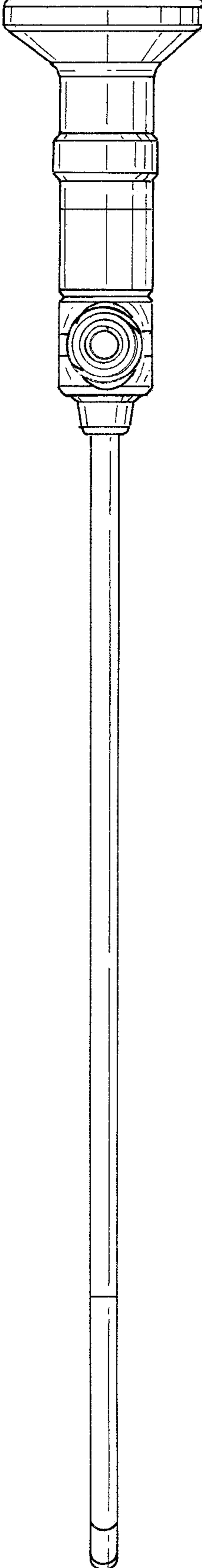
*FIG. 2*



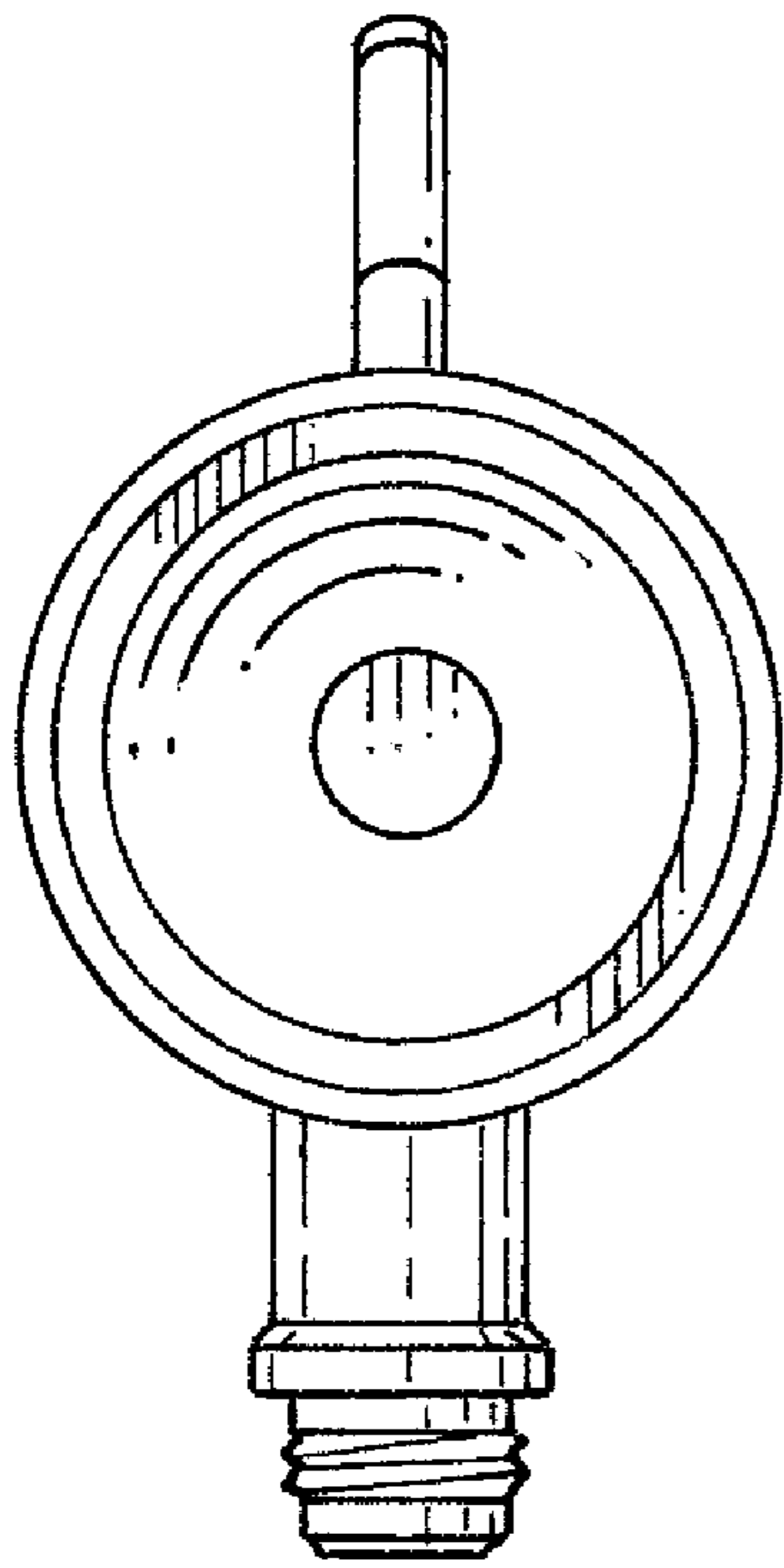
*FIG. 3*



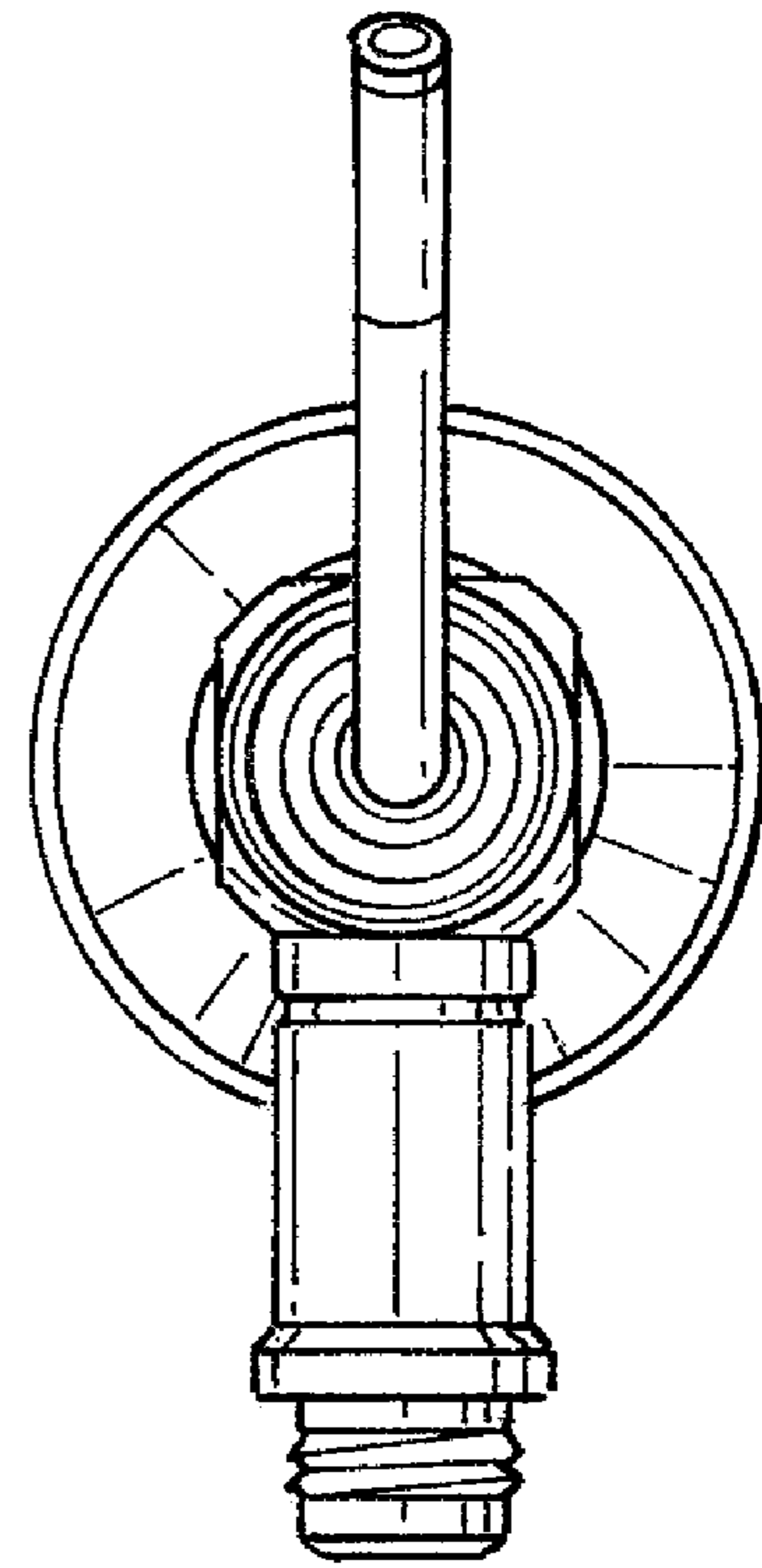
*FIG. 4*



*FIG. 5*



*FIG. 6*



*FIG. 7*