



US00D611599S

(12) **United States Design Patent**
Eisenkolb

(10) **Patent No.:** **US D611,599 S**
(45) **Date of Patent:** **** Mar. 9, 2010**

(54) **URETRO-RENOSCOPE**
(75) Inventor: **Peter Eisenkolb**, Tuttlingen (DE)
(73) Assignee: **Karl Storz GmbH & Co. KG** (DE)
(**) Term: **14 Years**
(21) Appl. No.: **29/329,206**
(22) Filed: **Dec. 10, 2008**
(30) **Foreign Application Priority Data**
Jun. 13, 2008 (EM) 000950928
(51) **LOC (9) Cl.** **24-02**
(52) **U.S. Cl.** **D24/138**
(58) **Field of Classification Search** D24/133,
D24/135, 176, 152, 156, 140, 141, 143, 137,
D24/138; 600/206, 214, 164, 157, 156, 200,
600/113, 135, 138, 121, 131, 153; 606/191,
606/196, 197, 198
See application file for complete search history.

(56) **References Cited**
U.S. PATENT DOCUMENTS
D269,904 S * 7/1983 Shimonaka D24/138
6,004,264 A * 12/1999 Sano et al. 600/178

D454,638 S * 3/2002 Topala D24/138
D459,475 S * 6/2002 Topala D24/138
D533,941 S * 12/2006 Furst et al. D24/138
D536,790 S * 2/2007 Michel et al. D24/137
D548,340 S * 8/2007 Michel et al. D24/138
2004/0260151 A1* 12/2004 Akiba 600/159
* cited by examiner

Primary Examiner—Charles A Rademaker
Assistant Examiner—Charles D Hanson
(74) *Attorney, Agent, or Firm*—St. Onge Steward Johnston & Reens LLC

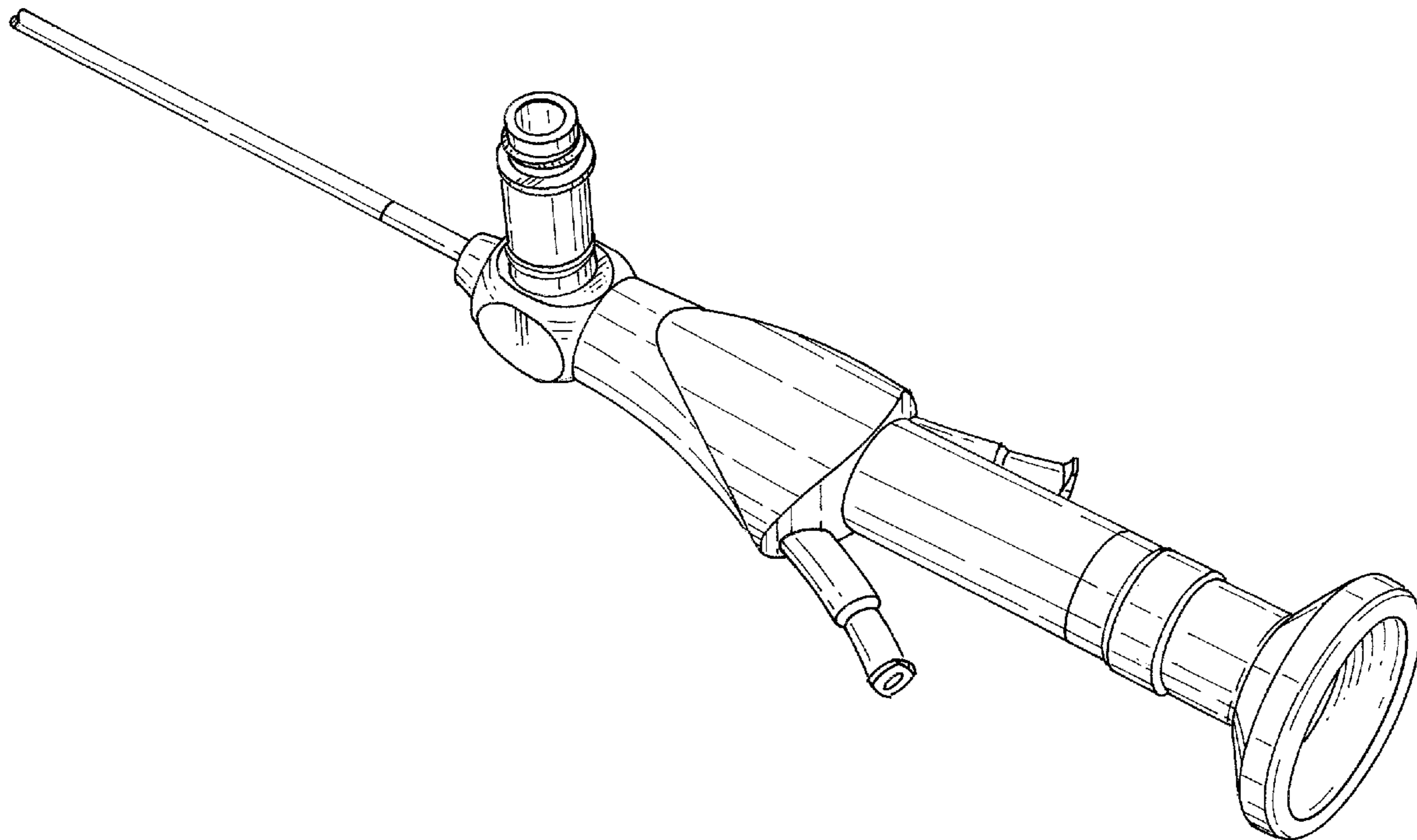
(57) **CLAIM**

The ornamental design for a uretro-renoscope, as shown and described.

DESCRIPTION

FIG. 1 is a top isometric view of a uretro-renoscope in accordance with the new design;
FIG. 2 is a side view thereof;
FIG. 3 is a top view thereof;
FIG. 4 is a bottom view thereof;
FIG. 5 is a rear view thereof; and,
FIG. 6 is a front view thereof.

1 Claim, 4 Drawing Sheets



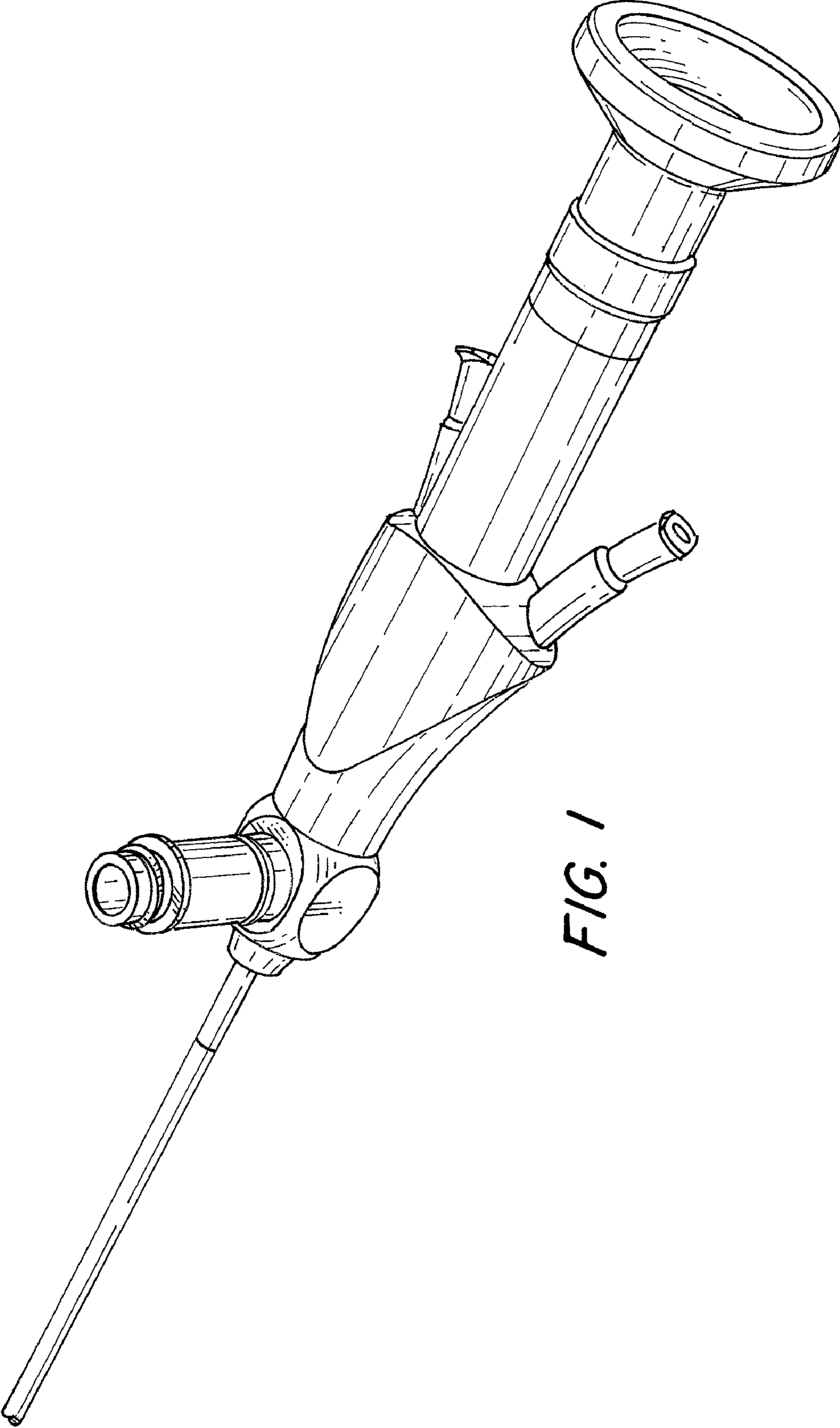


FIG. 1

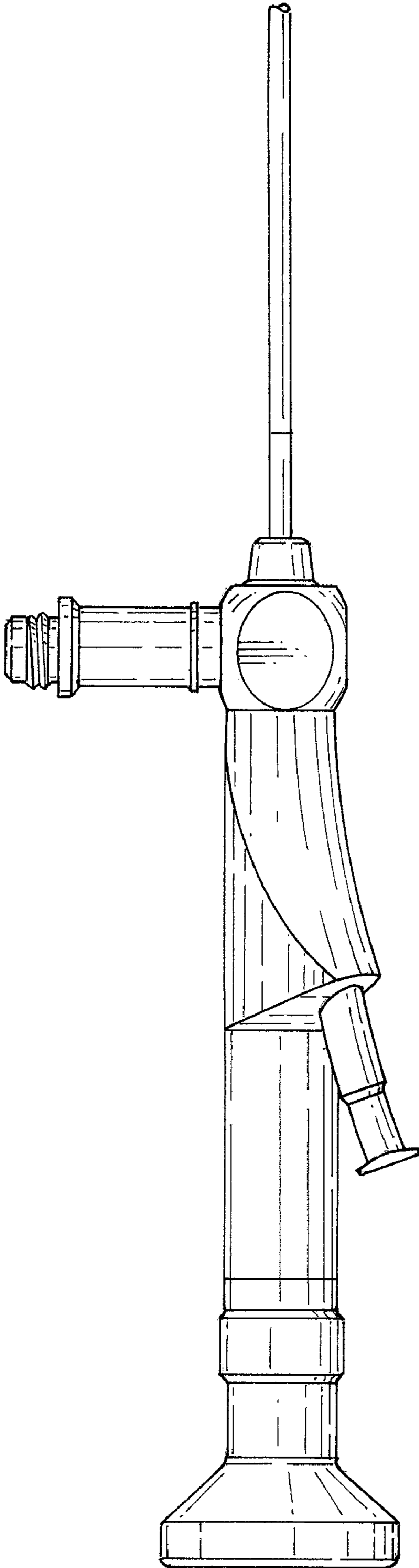


FIG. 2

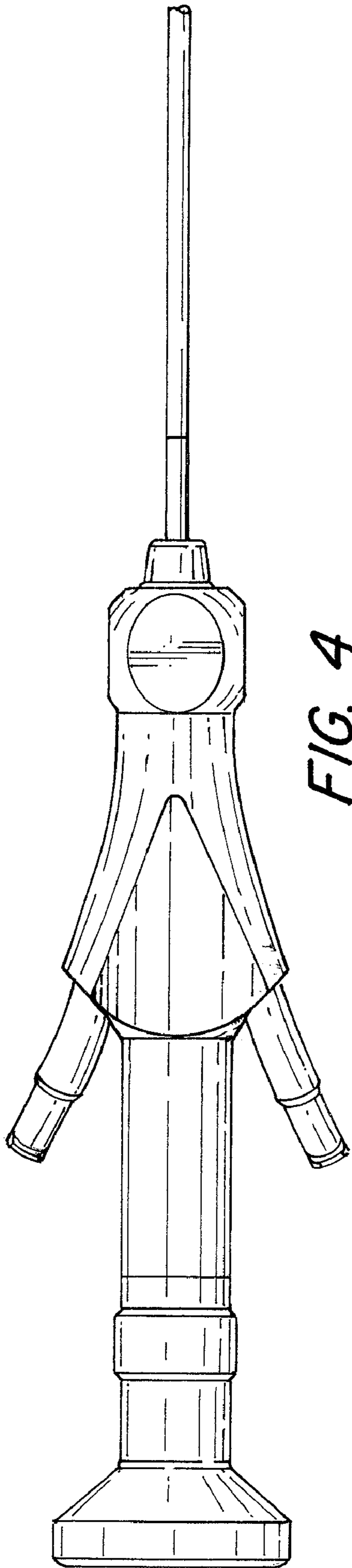


FIG. 4

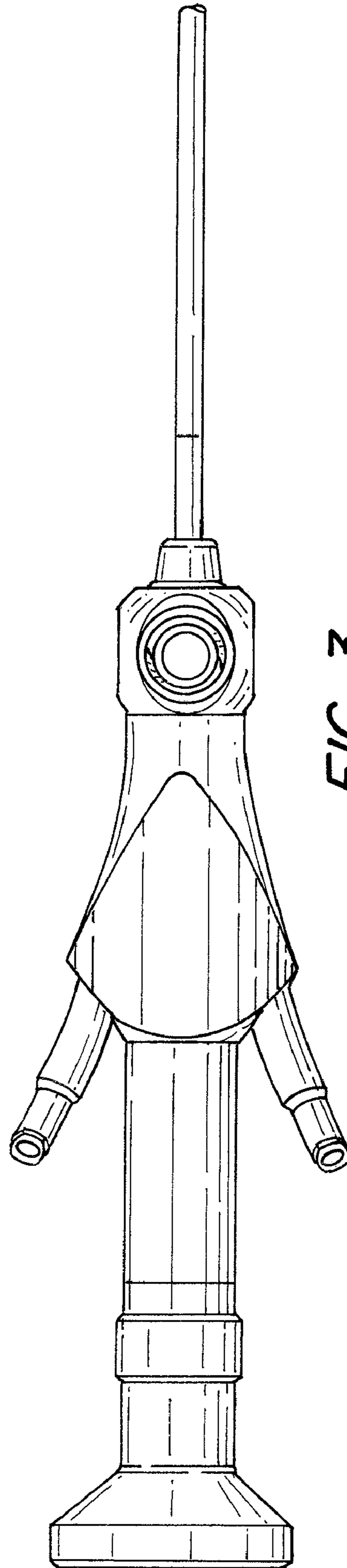


FIG. 3

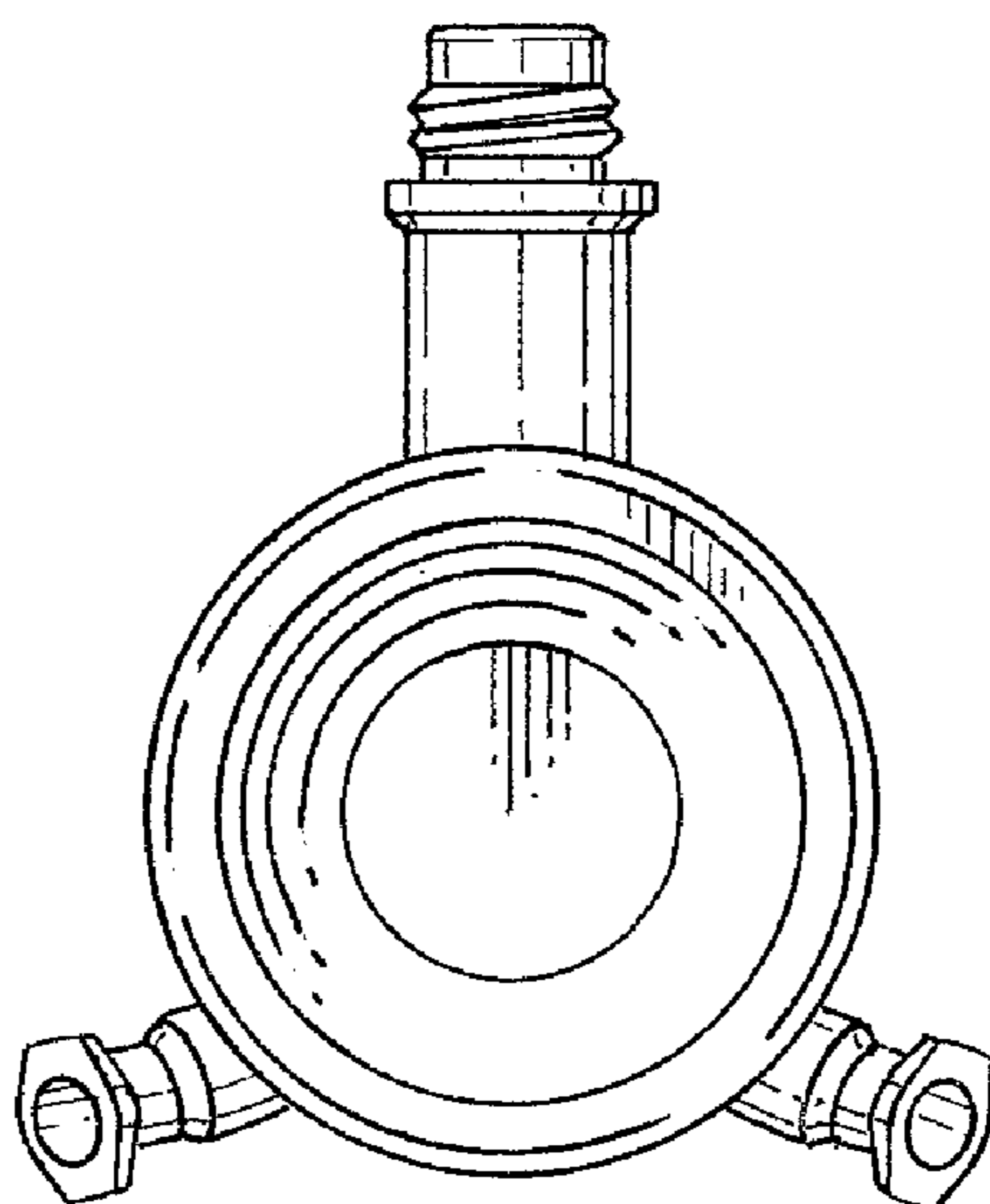


FIG. 5

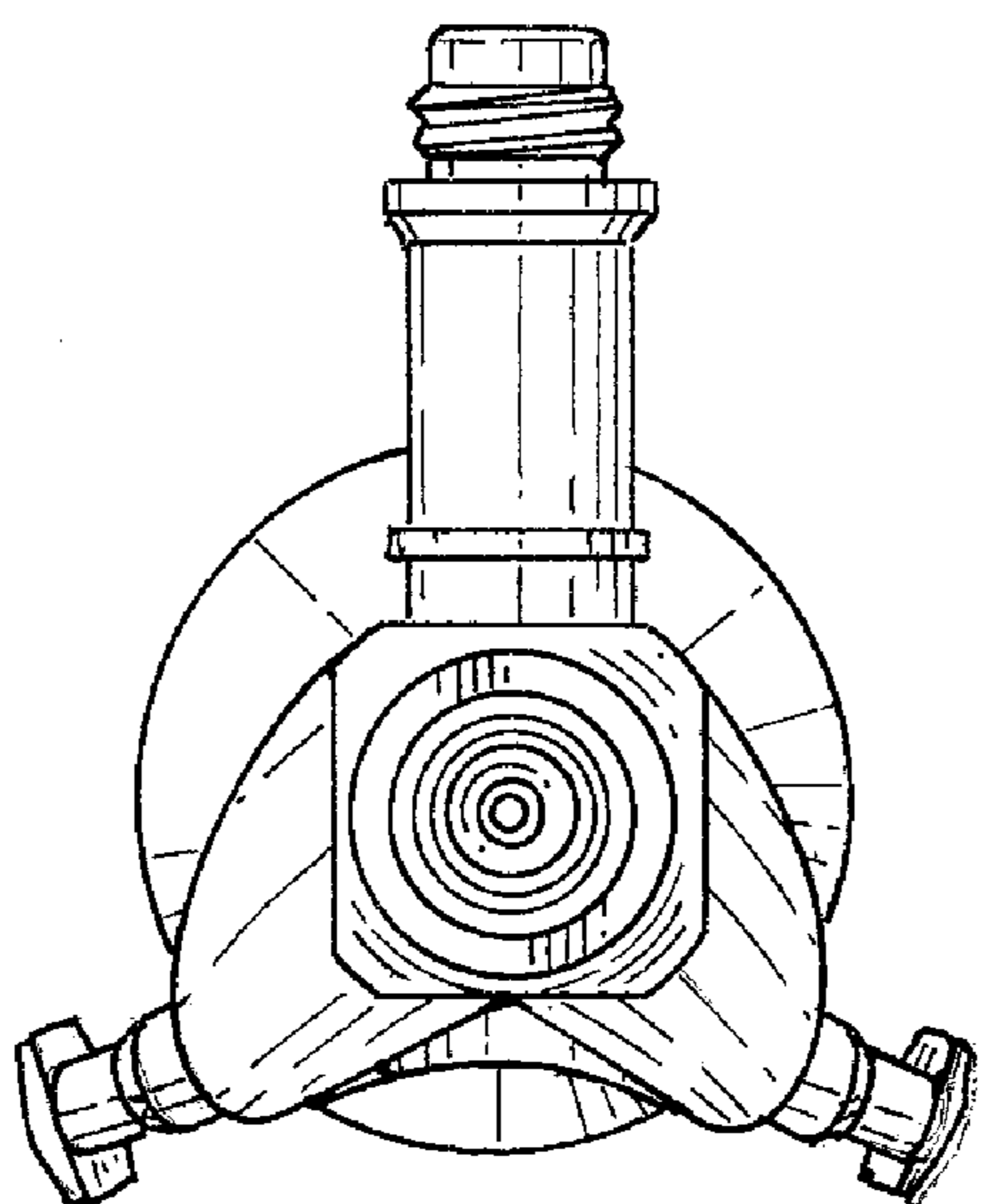


FIG. 6