



US00D611594S

(12) **United States Design Patent**  
**Ratjen**

(10) **Patent No.:** **US D611,594 S**  
(45) **Date of Patent:** **\*\* Mar. 9, 2010**

(54) **INJECTOR**

(75) Inventor: **Jochen Ratjen**, Uppsala (SE)

(73) Assignee: **Q-Med AB**, Uppsala (SE)

(\*\*) Term: **14 Years**

(21) Appl. No.: **29/311,347**

(22) Filed: **Feb. 27, 2009**

(30) **Foreign Application Priority Data**

Sep. 2, 2008 (EM) ..... 001000681-1/2

(51) **LOC (9) Cl.** ..... **24-02**

(52) **U.S. Cl.** ..... **D24/115**

(58) **Field of Classification Search** ..... D24/112-114,  
D24/133, 186, 104, 130, 127, 152, 144, 215,  
D24/187, 158; 606/181, 185, 205, 142; 604/232,  
604/187, 158, 164.08, 192, 263, 163, 181,  
604/184, 198, 227; 433/80

See application file for complete search history.

(56) **References Cited**

**U.S. PATENT DOCUMENTS**

- D448,852 S \* 10/2001 Engelen ..... D24/215
- D479,324 S \* 9/2003 Greaney ..... D24/113
- D545,433 S \* 6/2007 Messerly et al. .... D24/186
- D546,964 S \* 7/2007 Wu ..... D24/215
- D548,334 S \* 8/2007 Izumi ..... D24/152
- D553,248 S \* 10/2007 Nguyen ..... D24/186

- D560,803 S \* 1/2008 Tasse et al. .... D24/133
- D568,473 S \* 5/2008 Ashiwa et al. .... D24/133
- D590,502 S \* 4/2009 Geisser et al. .... D24/133
- D596,357 S \* 7/2009 Rosen ..... D30/158
- D597,211 S \* 7/2009 Ewing et al. .... D24/187
- D597,668 S \* 8/2009 Woodruff et al. .... D24/133
- D598,102 S \* 8/2009 Hull, Jr. .... D24/133
- D598,108 S \* 8/2009 Hasegawa ..... D24/186

\* cited by examiner

*Primary Examiner*—T. Chase Nelson

*Assistant Examiner*—David G Muller

(74) *Attorney, Agent, or Firm*—Harness, Dickey & Pierce, P.L.C.

(57) **CLAIM**

The ornamental design for an injector, as shown and described.

**DESCRIPTION**

FIG. 1 is a front side perspective view of an injector showing my new design;

FIG. 2 is a rear side perspective view thereof;

FIG. 3 is a left side view thereof;

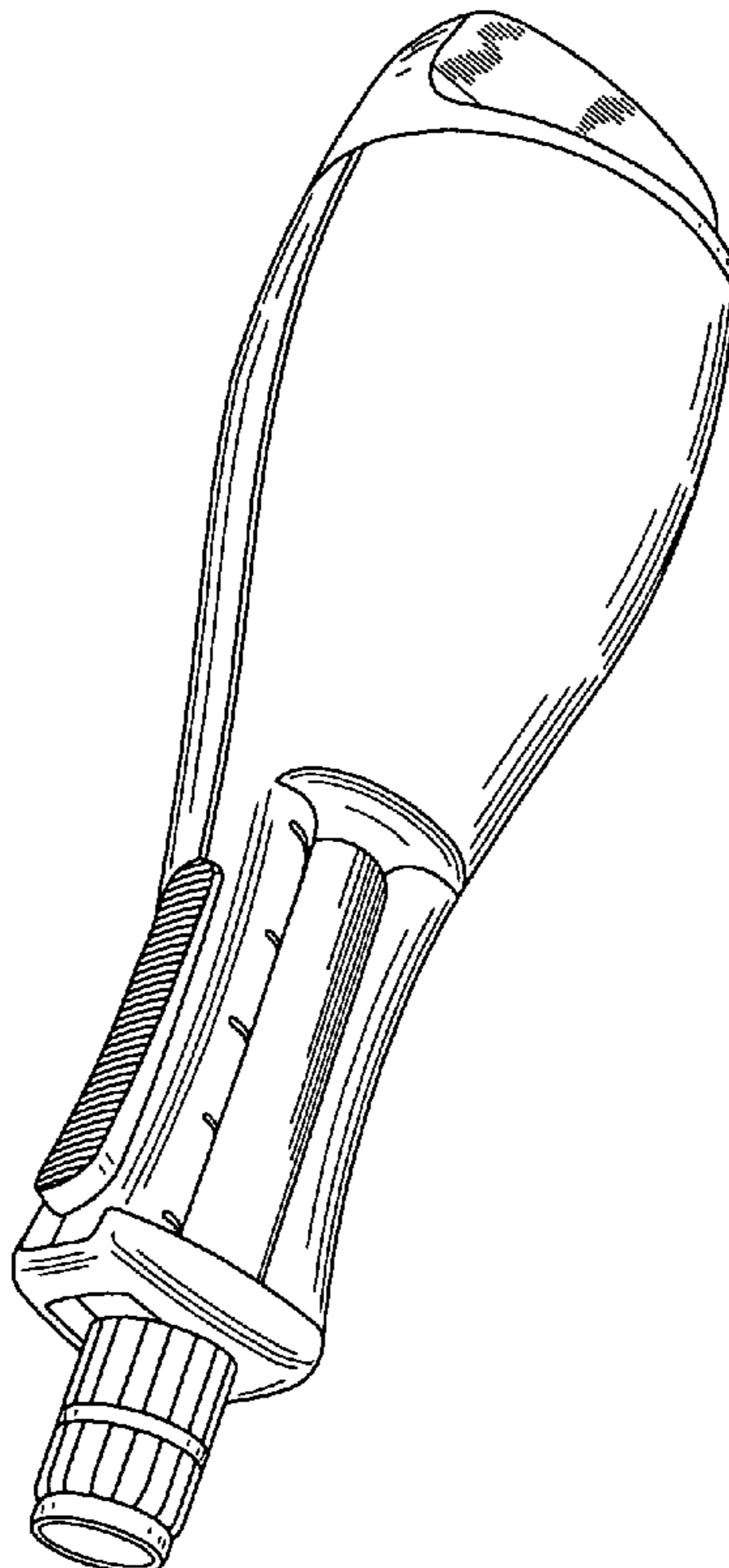
FIG. 4 is a top plan view thereof;

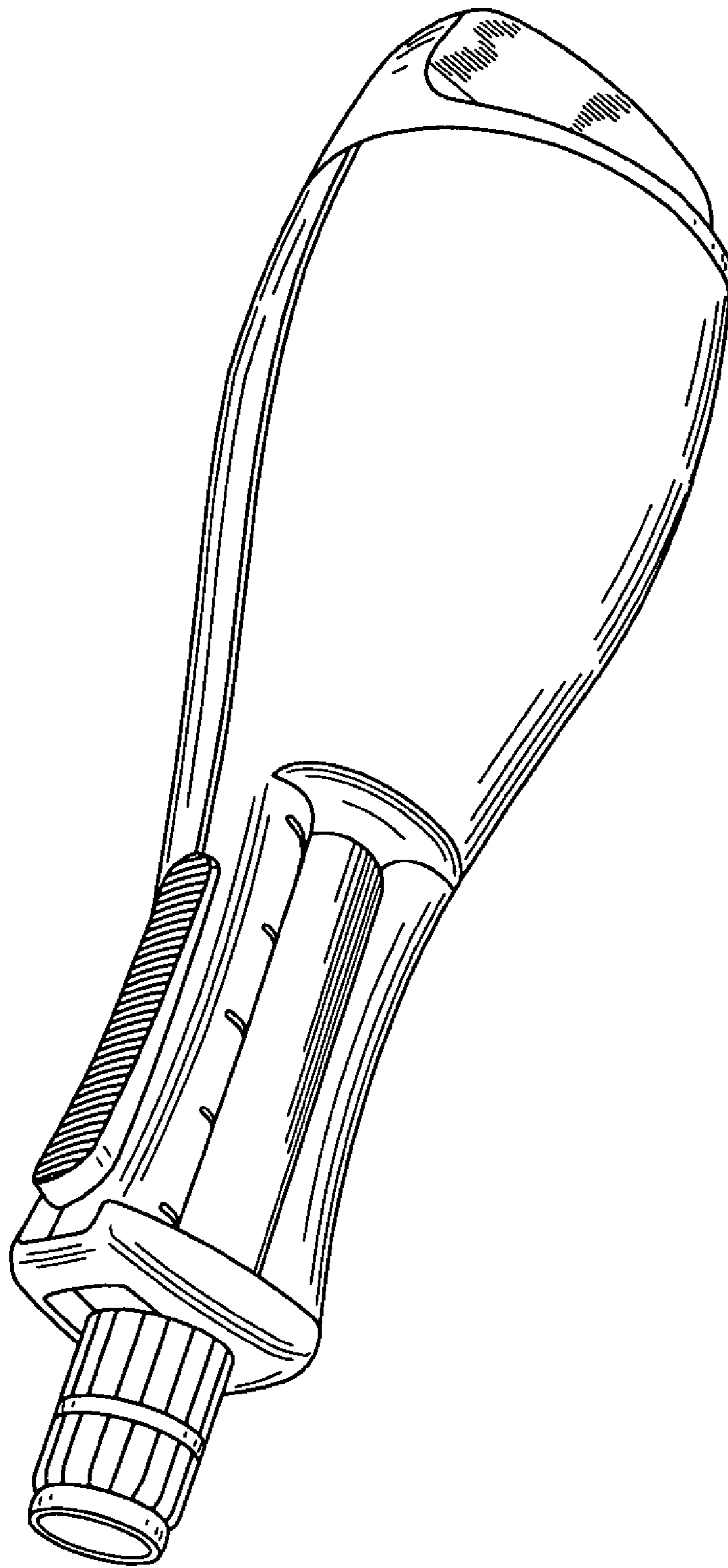
FIG. 5 is a bottom plan view thereof;

FIG. 6 is a front elevational view thereof; and,

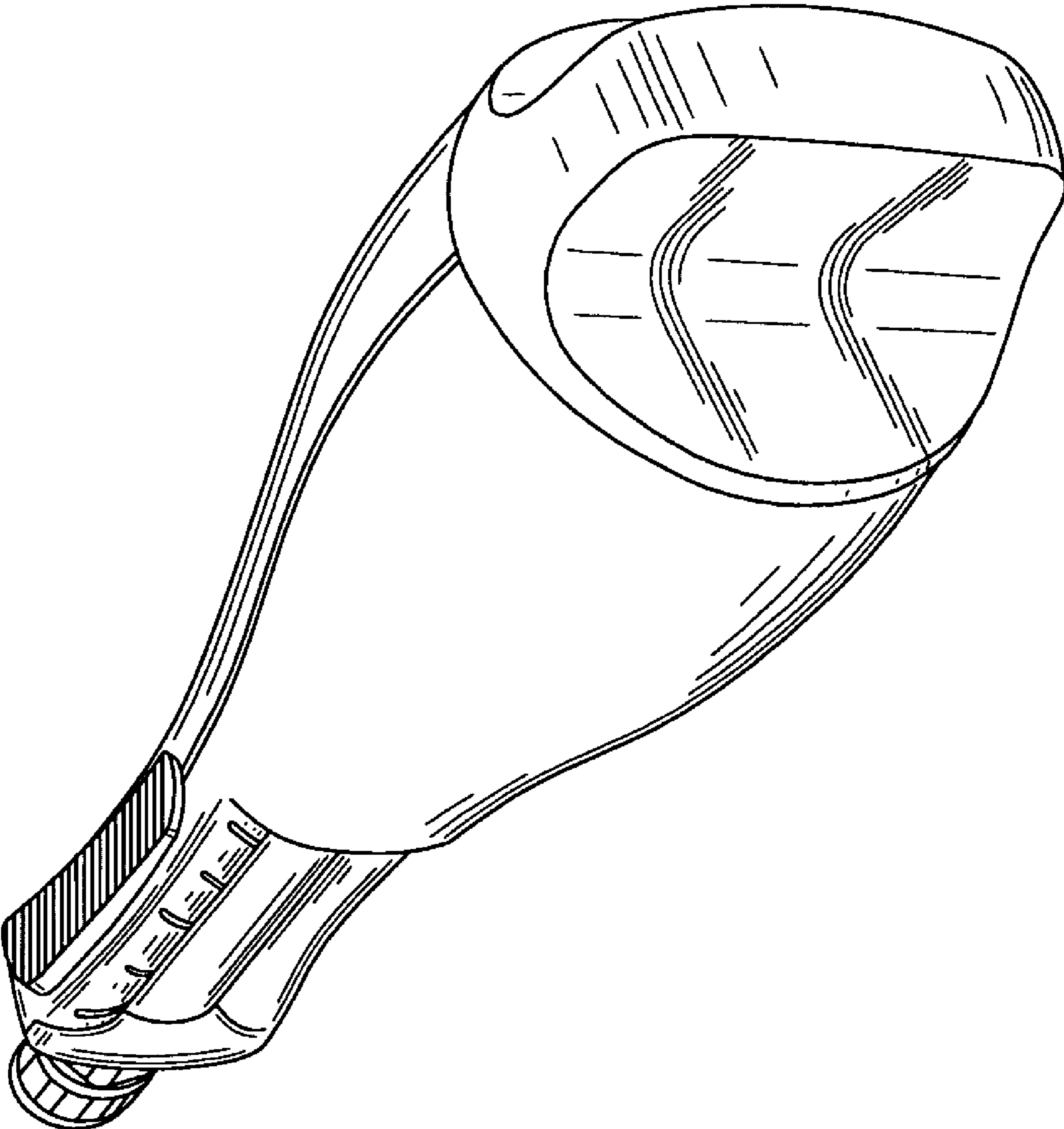
FIG. 7 is a rear elevational view thereof.

**1 Claim, 6 Drawing Sheets**

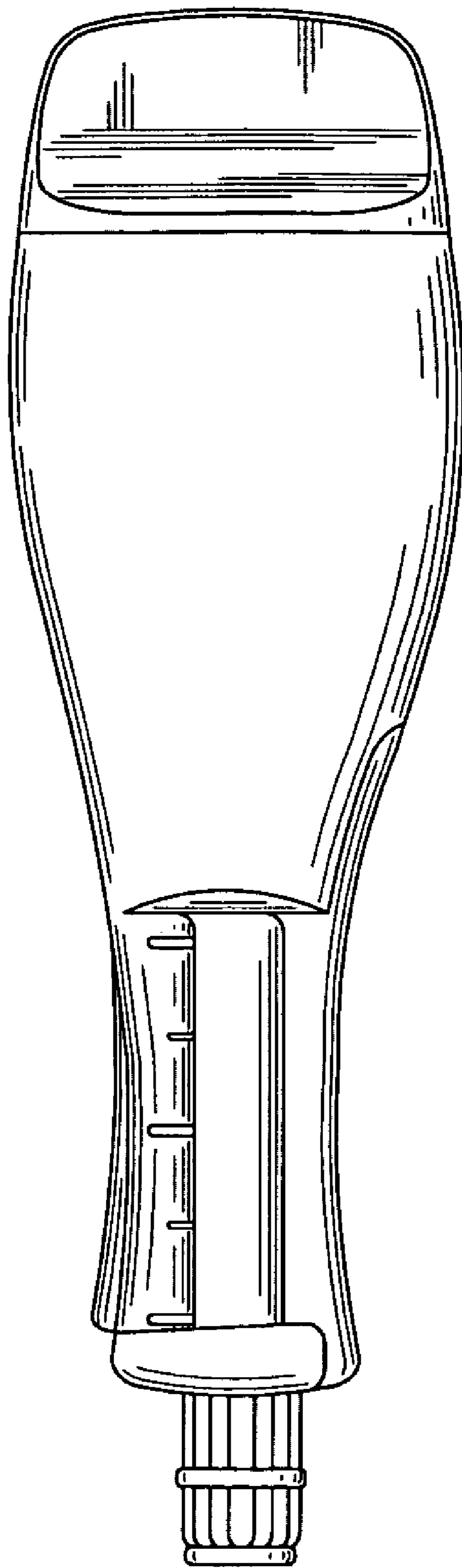




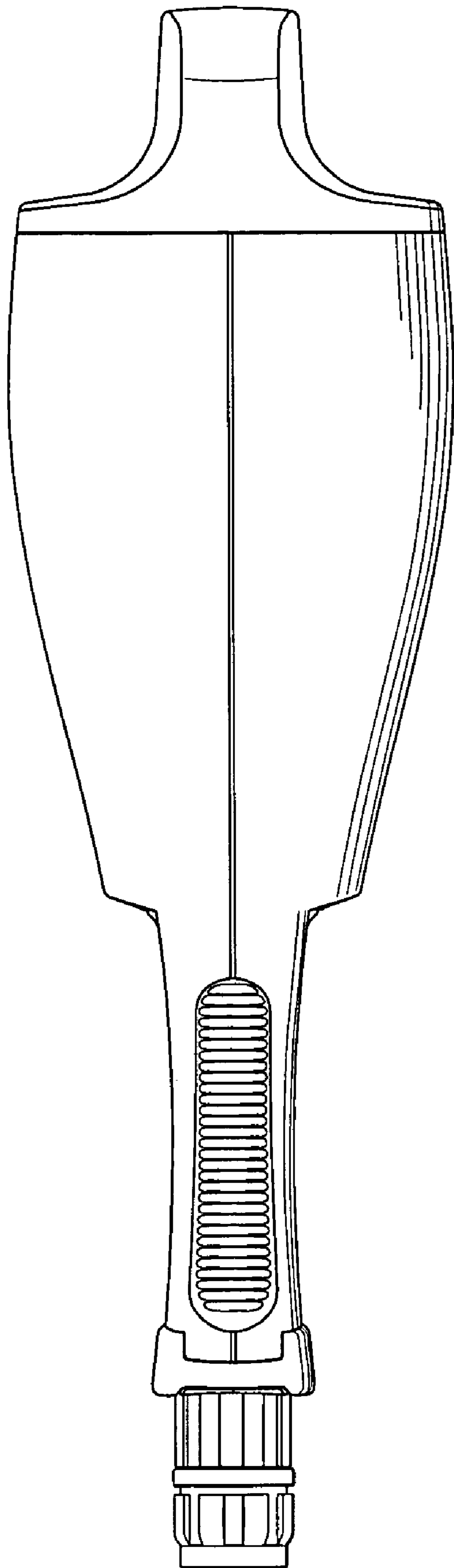
*Fig. 1*



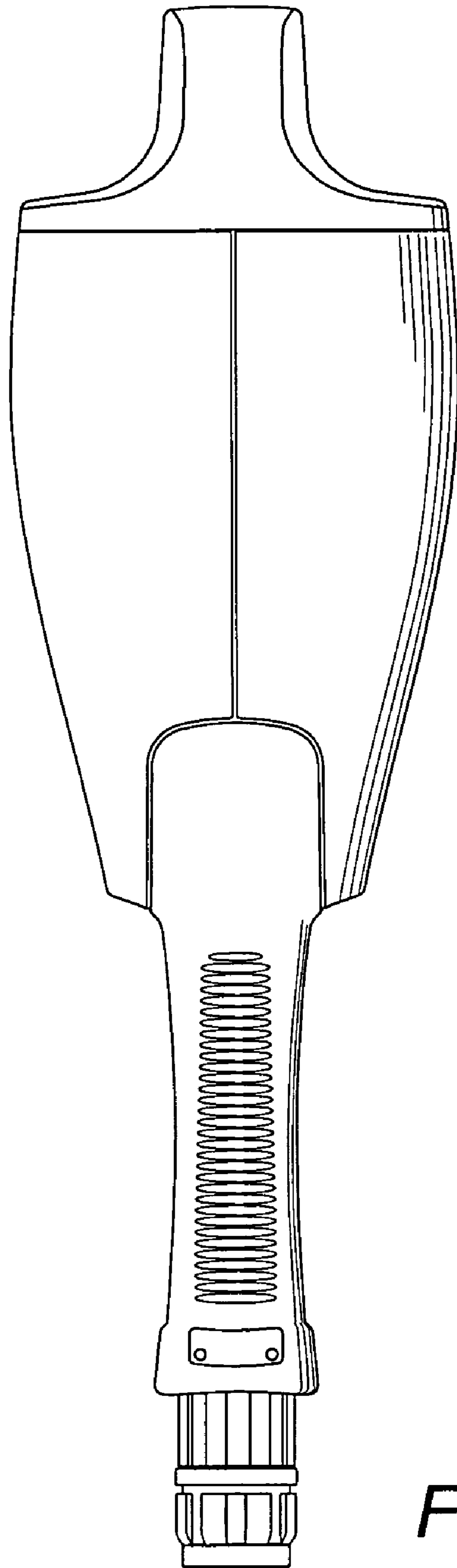
*Fig. 2*



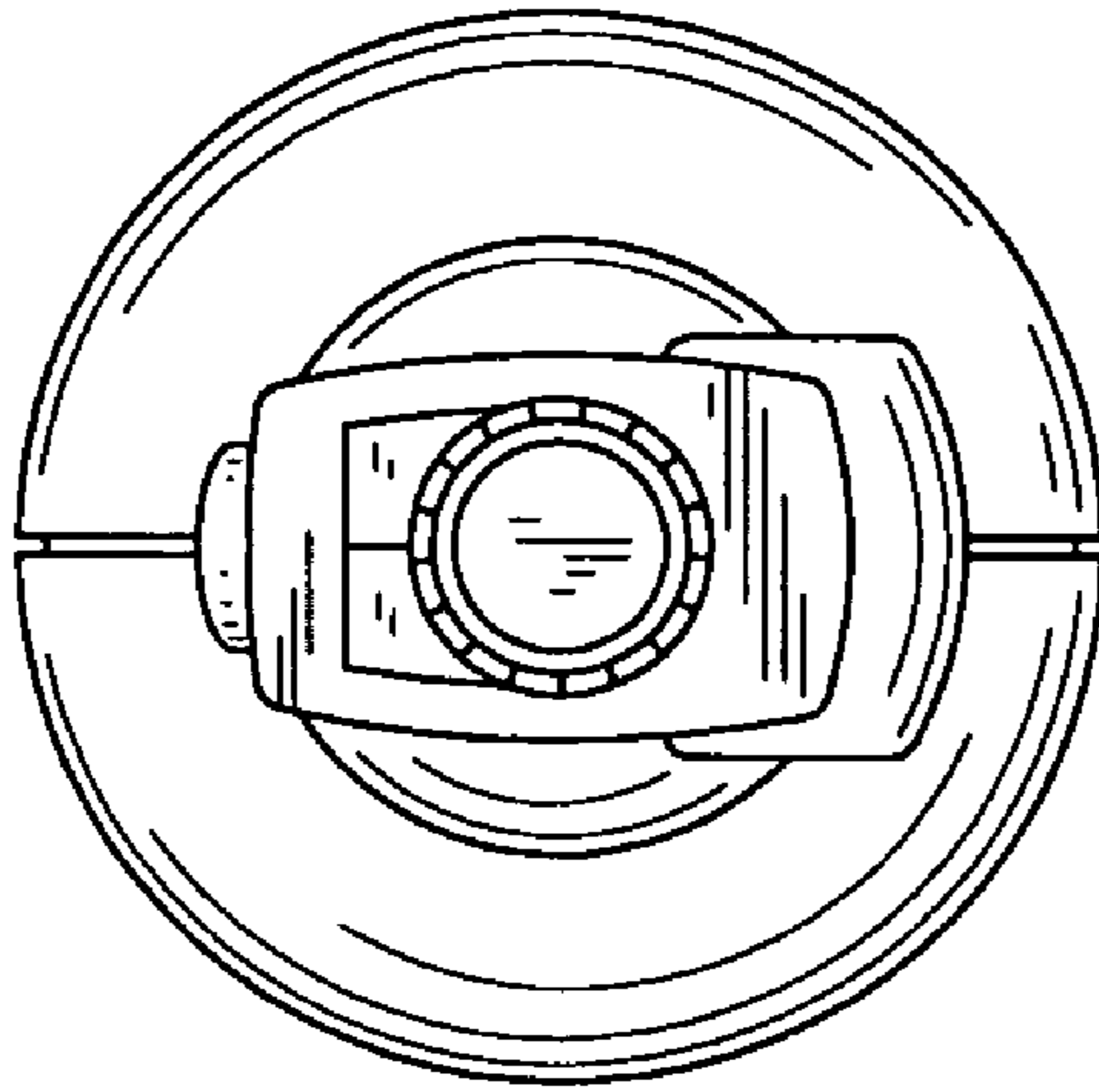
*Fig. 3*



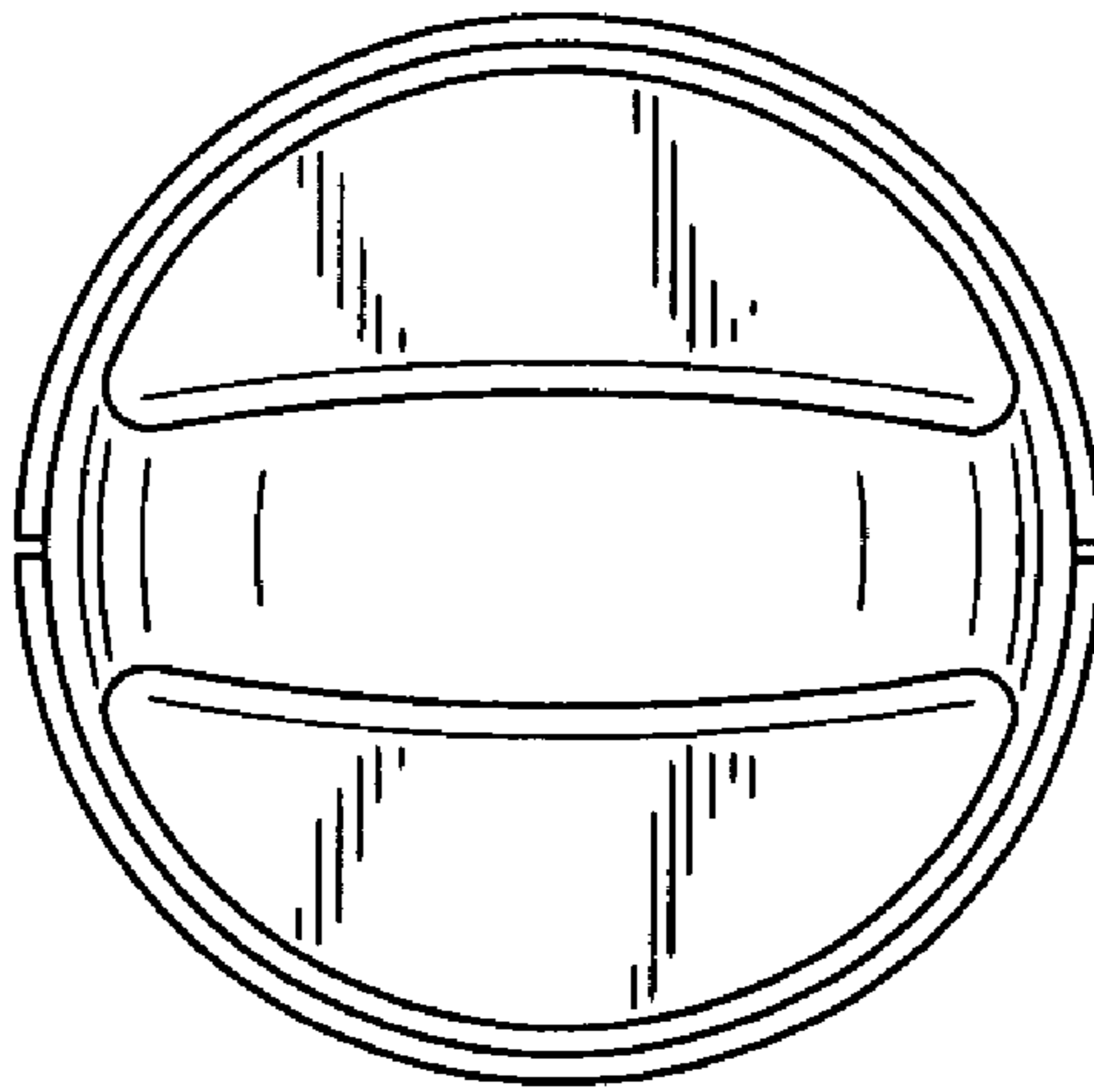
*Fig. 4*



*Fig. 5*



*Fig. 6*



*Fig. 7*