



US00D611593S

(12) **United States Design Patent**  
**Lithgow et al.**

(10) **Patent No.:** **US D611,593 S**  
(45) **Date of Patent:** **\*\* Mar. 9, 2010**

(54) **HUMIDIFIER/FLOW GENERATOR**

(75) Inventors: **Perry David Lithgow**, Glenwood (AU);  
**John Michael Snow**, Cremorne (AU);  
**Dan Kao**, Chatswood (AU)

(73) Assignee: **ResMed Limited**, Bella Vista (AU)

(\*\*) Term: **14 Years**

(21) Appl. No.: **29/290,517**

(22) Filed: **Dec. 12, 2007**

**Related U.S. Application Data**

(60) Continuation of application No. 29/274,233, filed on Apr. 6, 2007, now Pat. No. Des. 561,890, which is a division of application No. 29/236,349, filed on Aug. 15, 2005, now Pat. No. Des. 550,349.

(51) **LOC (9) Cl.** ..... **29-02**

(52) **U.S. Cl.** ..... **D24/110**

(58) **Field of Classification Search** ..... D24/110,  
D24/164; D23/356, 358; 128/200.23, 200.24,  
128/200.18, 200.22, 200.16, 204.14, 203.16,  
128/203.17, 204.18, 204.23

See application file for complete search history.

(56) **References Cited**

**U.S. PATENT DOCUMENTS**

D421,298 S 2/2000 Kenyon  
D427,675 S 7/2000 Hansel

D467,335 S 12/2002 Lithgow  
D468,011 S 12/2002 Lithgow et al.  
D476,077 S 6/2003 Lithgow  
D487,311 S 3/2004 Lithgow et al.  
D493,520 S 7/2004 Bertinetti et al.  
D493,884 S 8/2004 Virr et al.  
D503,796 S 4/2005 Lithgow et al.  
D550,349 S 9/2007 Lithgow et al.

**OTHER PUBLICATIONS**

Lithgow et al., U.S. Appl. No. 29/274,233, filed Apr. 6, 2007.  
Fisher & Paykel Healthcare, "SleepStyle™ 2000 CPAP Series"  
Specification Sheets, 4 pages, Published Prior to Jun. 2005.

*Primary Examiner*—Ian Simmons

*Assistant Examiner*—Christopher Lee

(74) *Attorney, Agent, or Firm*—Nixon & Vanderhye P.C.

(57) **CLAIM**

The ornamental design for a humidifier/flow generator, as shown and described.

**DESCRIPTION**

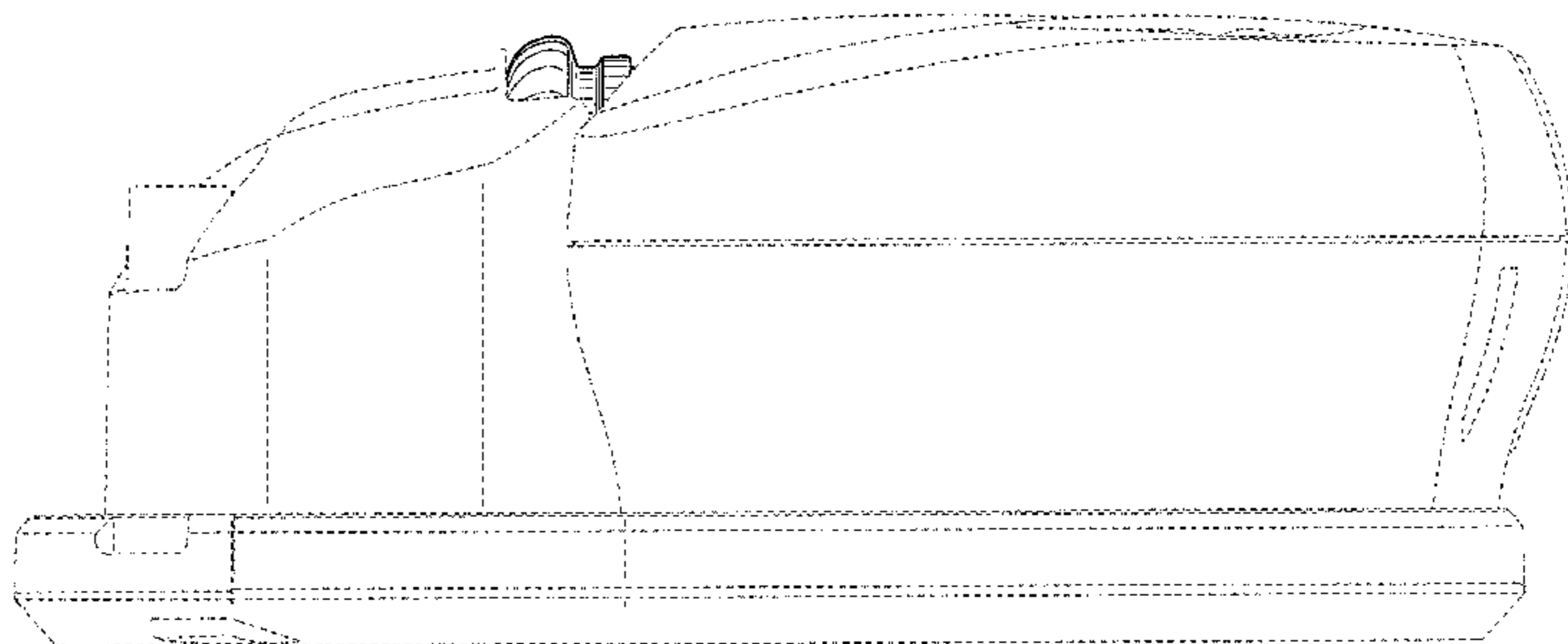
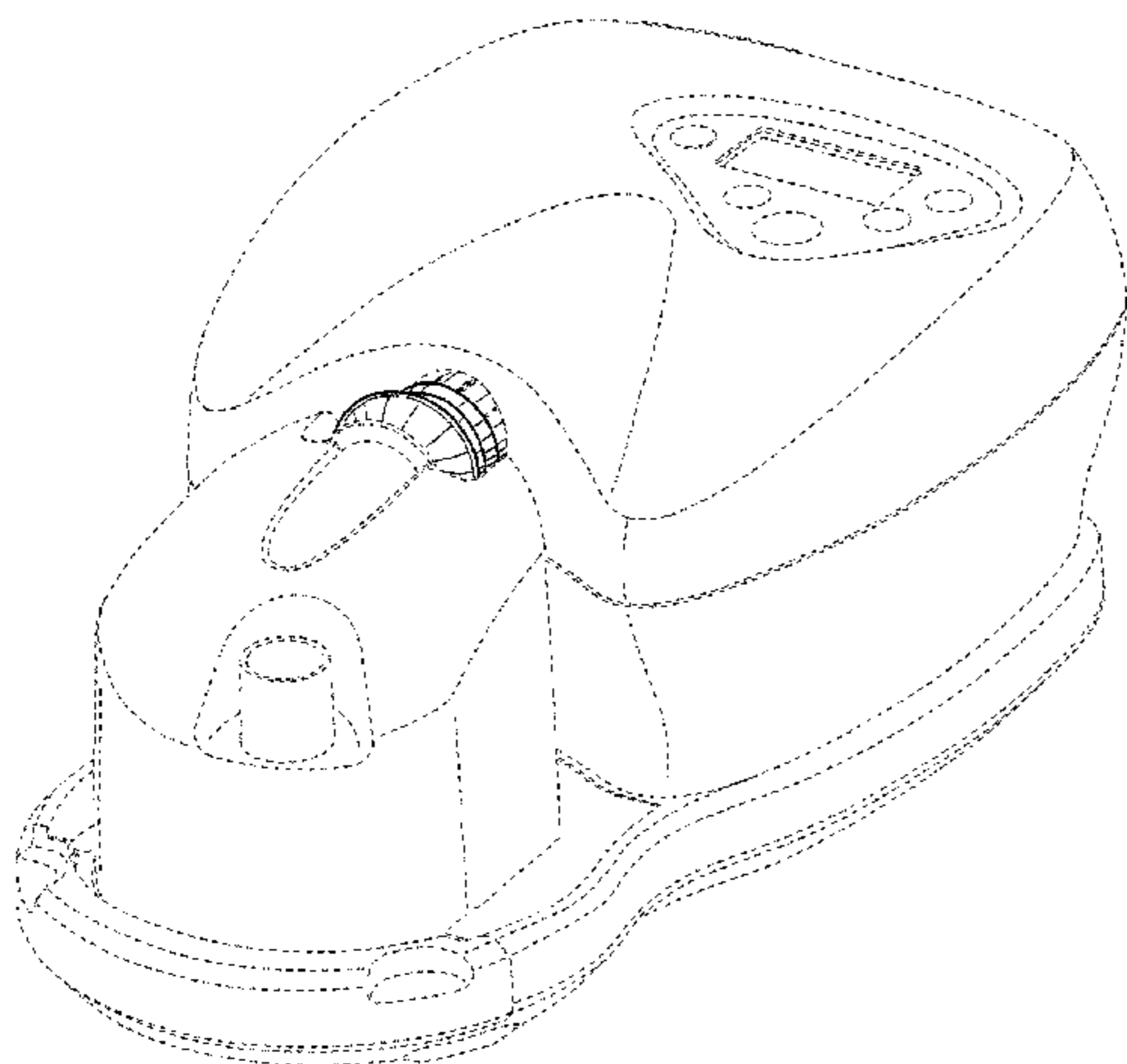
FIG. 1 is a perspective view of a flow generator/humidifier according to an embodiment of our design;

FIG. 2 is a top view thereof; and,

FIG. 3 is a right side view thereof.

Where included, broken lines showing environment or structure are for illustrative purposes only and form no part of the claimed design.

**1 Claim, 3 Drawing Sheets**



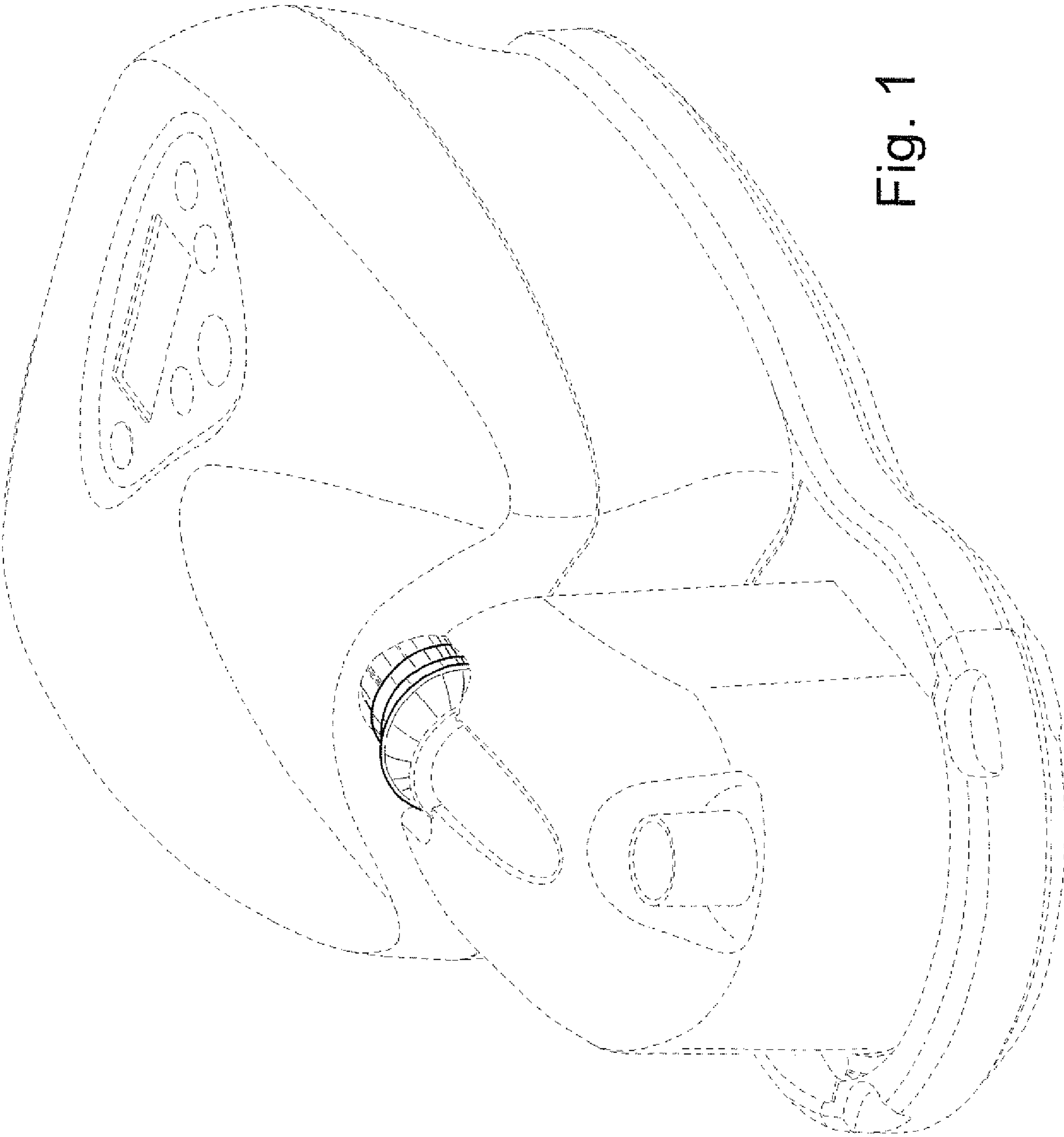


Fig. 1

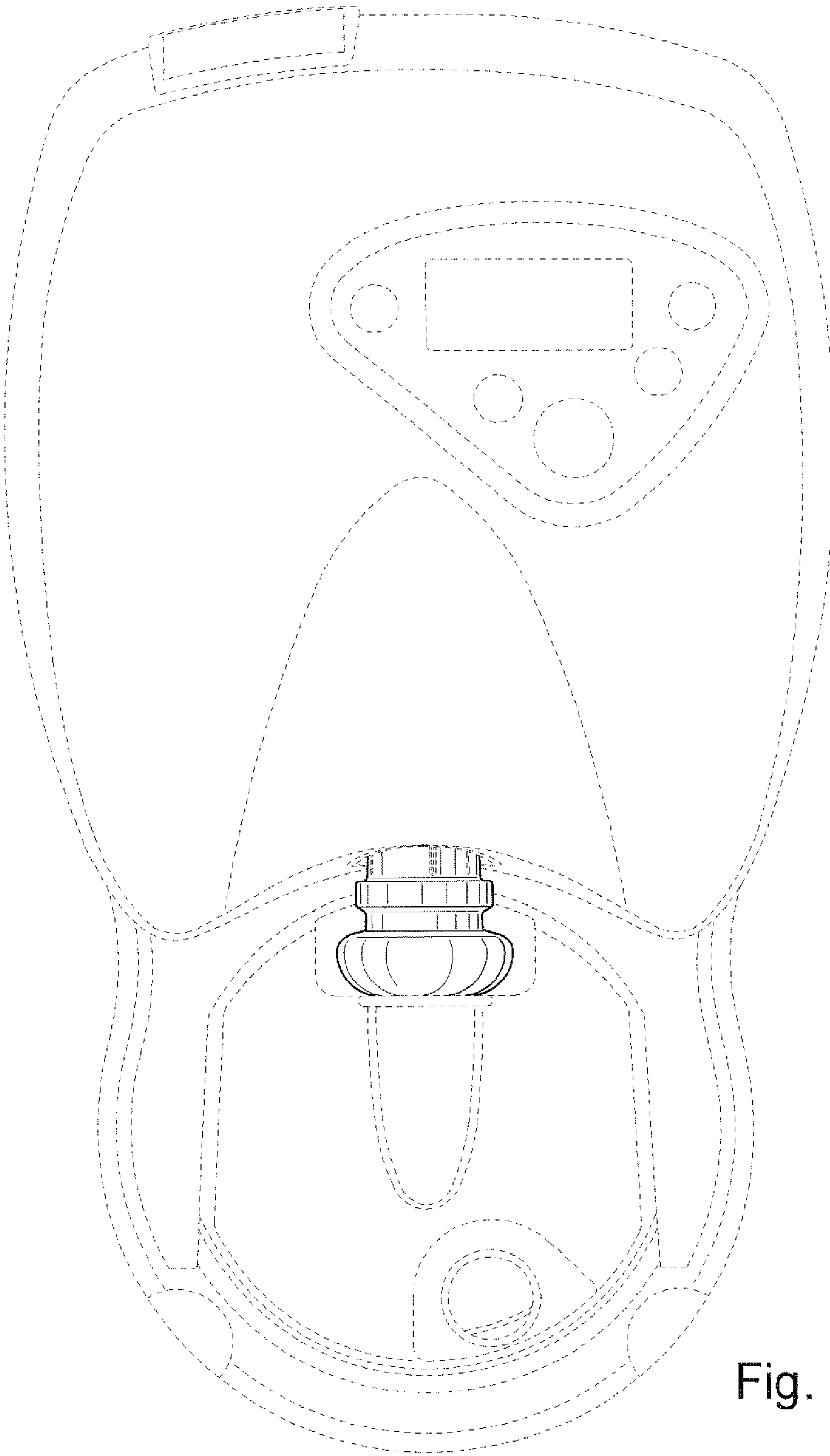


Fig. 2

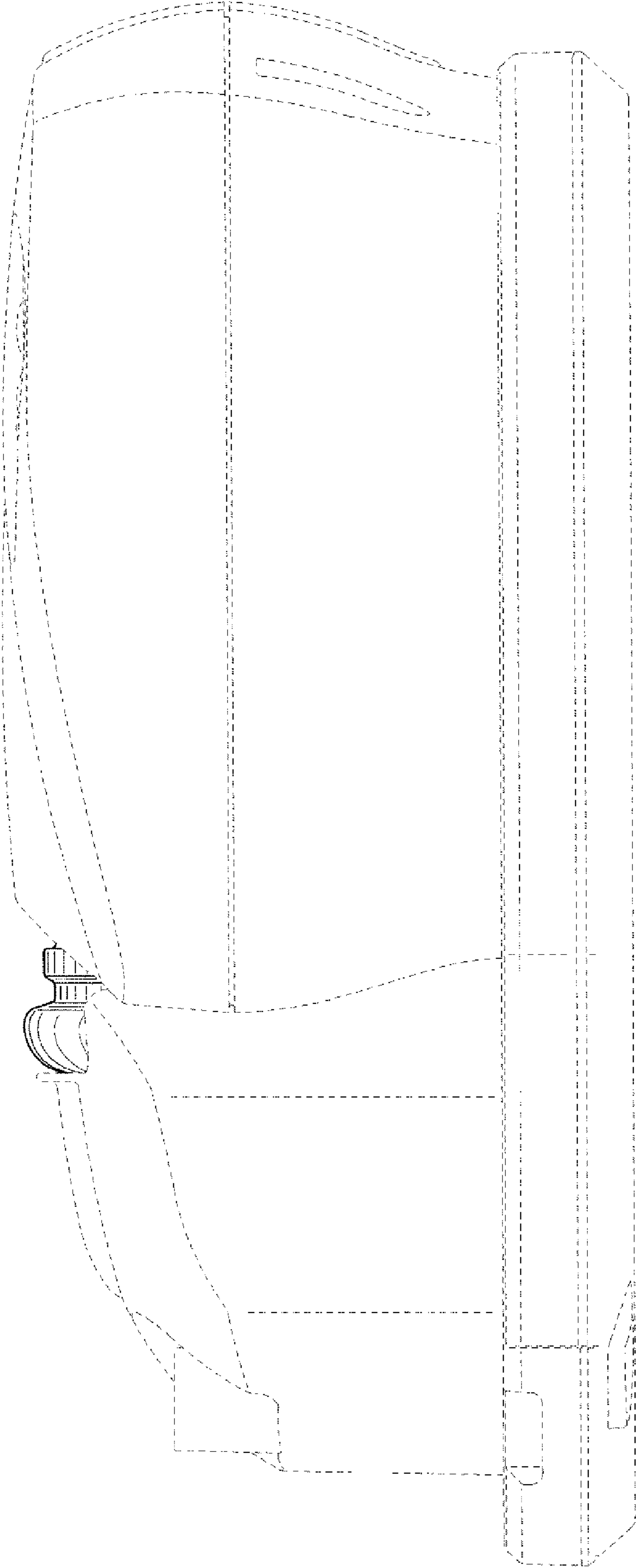


Fig. 3