



US00D611587S

(12) **United States Design Patent**
Dineen

(10) **Patent No.:** **US D611,587 S**
(45) **Date of Patent:** **** Mar. 9, 2010**

(54) **AIR FRESHENER**

(76) Inventor: **Jamie B. Dineen**, 2230 Sharon Rd.,
Charlotte, NC (US) 28207

(**) Term: **14 Years**

(21) Appl. No.: **29/341,884**

(22) Filed: **Aug. 14, 2009**

(51) **LOC (9) Cl.** **28-99**

(52) **U.S. Cl.** **D23/366**

(58) **Field of Classification Search** D23/355-369;
D28/5, 6; 261/DIG. 17, DIG. 42, DIG. 65,
261/DIG. 88, DIG. 89; 392/386, 390, 391,
392/392, 394, 395, 389, 393; 239/34, 35,
239/43-45, 53, 56, 57, 60, 326, 42, 50, 55

See application file for complete search history.

(56) **References Cited**

U.S. PATENT DOCUMENTS

| | | | | |
|----------------|---------|-------------------|-------|----------|
| D242,461 S * | 11/1976 | Davies | | D23/366 |
| D292,311 S * | 10/1987 | Joyaux et al. | | D23/366 |
| D319,583 S * | 9/1991 | Halm et al. | | D32/29.1 |
| D478,973 S * | 8/2003 | Wagner | | D23/367 |
| D484,229 S * | 12/2003 | Upson | | D23/366 |
| D484,585 S * | 12/2003 | Upson | | D23/366 |
| 6,880,765 B2 * | 4/2005 | Tuomikoski et al. | | 239/34 |
| D509,890 S * | 9/2005 | Stavale et al. | | D23/366 |
| D510,991 S * | 10/2005 | Harbutt et al. | | D23/366 |

| | | | | |
|-------------------|---------|-------------------|-------|----------|
| D521,620 S * | 5/2006 | Tseng et al. | | D23/364 |
| D522,118 S * | 5/2006 | Miro | | D23/366 |
| D532,002 S * | 11/2006 | Johansson | | D14/247 |
| D536,081 S * | 1/2007 | Steinel | | D23/366 |
| D550,341 S * | 9/2007 | Di Robilant | | D23/359 |
| D579,163 S * | 10/2008 | Schablinger | | D32/29.1 |
| D585,537 S * | 1/2009 | Weggelaar | | D23/366 |
| 2003/0080197 A1 * | 5/2003 | Tuomikoski et al. | | 239/44 |

* cited by examiner

Primary Examiner—Sandra Snapp

(74) *Attorney, Agent, or Firm*—Trego, Hines & Ladenheim,
PLLC

(57) **CLAIM**

I claim the ornamental design for an air freshener, as shown and described.

DESCRIPTION

FIG. 1 is a perspective view of an air freshener, showing my design;

FIG. 2 is a top plan view of the air freshener of FIG. 1, the bottom plan view being a mirror image thereof;

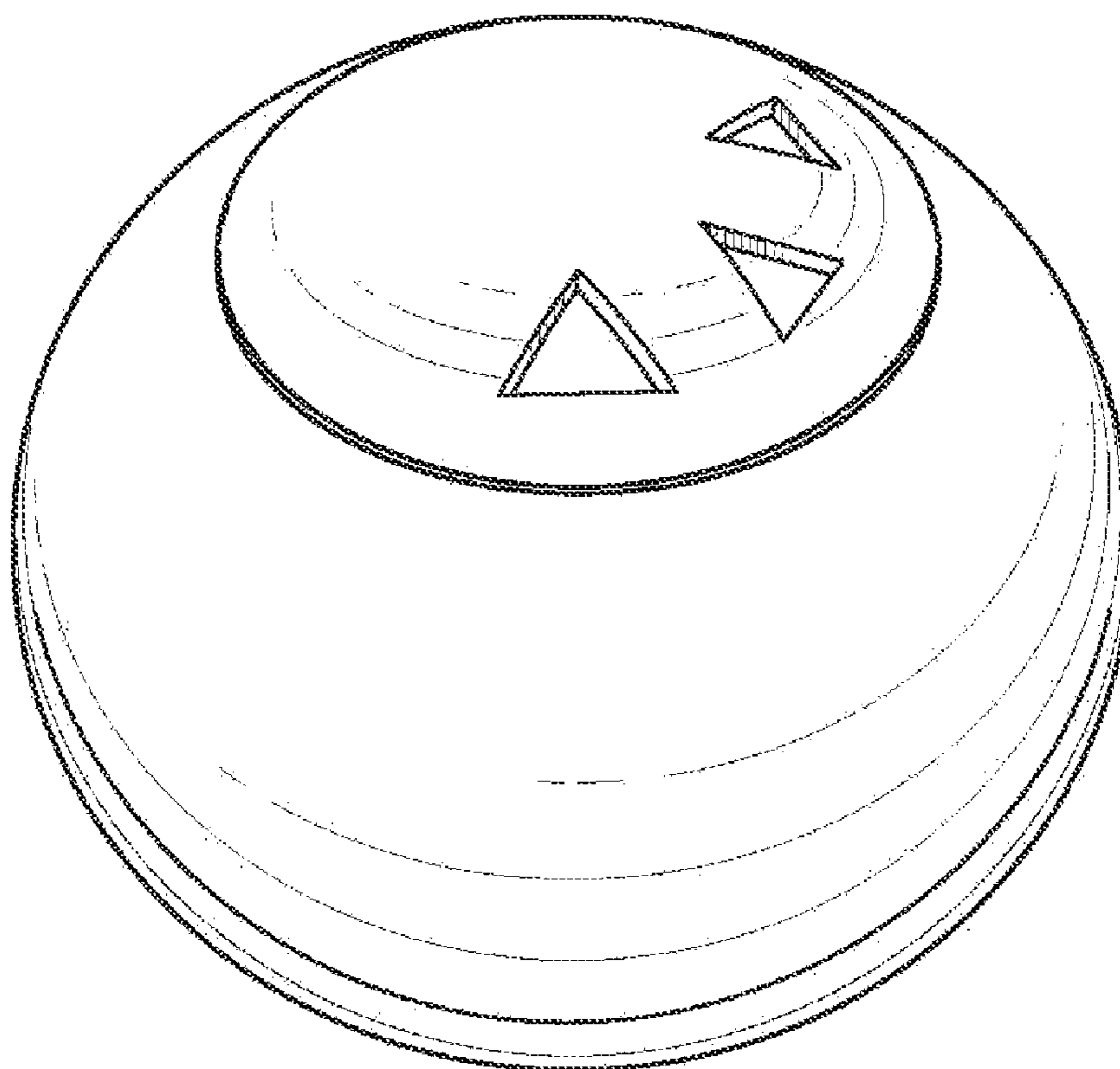
FIG. 3 is a rear elevation of the air freshener of FIG. 1;

FIG. 4 is a front elevation of the air freshener of FIG. 1;

FIG. 5 is a right elevation of the air freshener of FIG. 1; and,

FIG. 6 is a left elevation of the air freshener of FIG. 1.

1 Claim, 3 Drawing Sheets



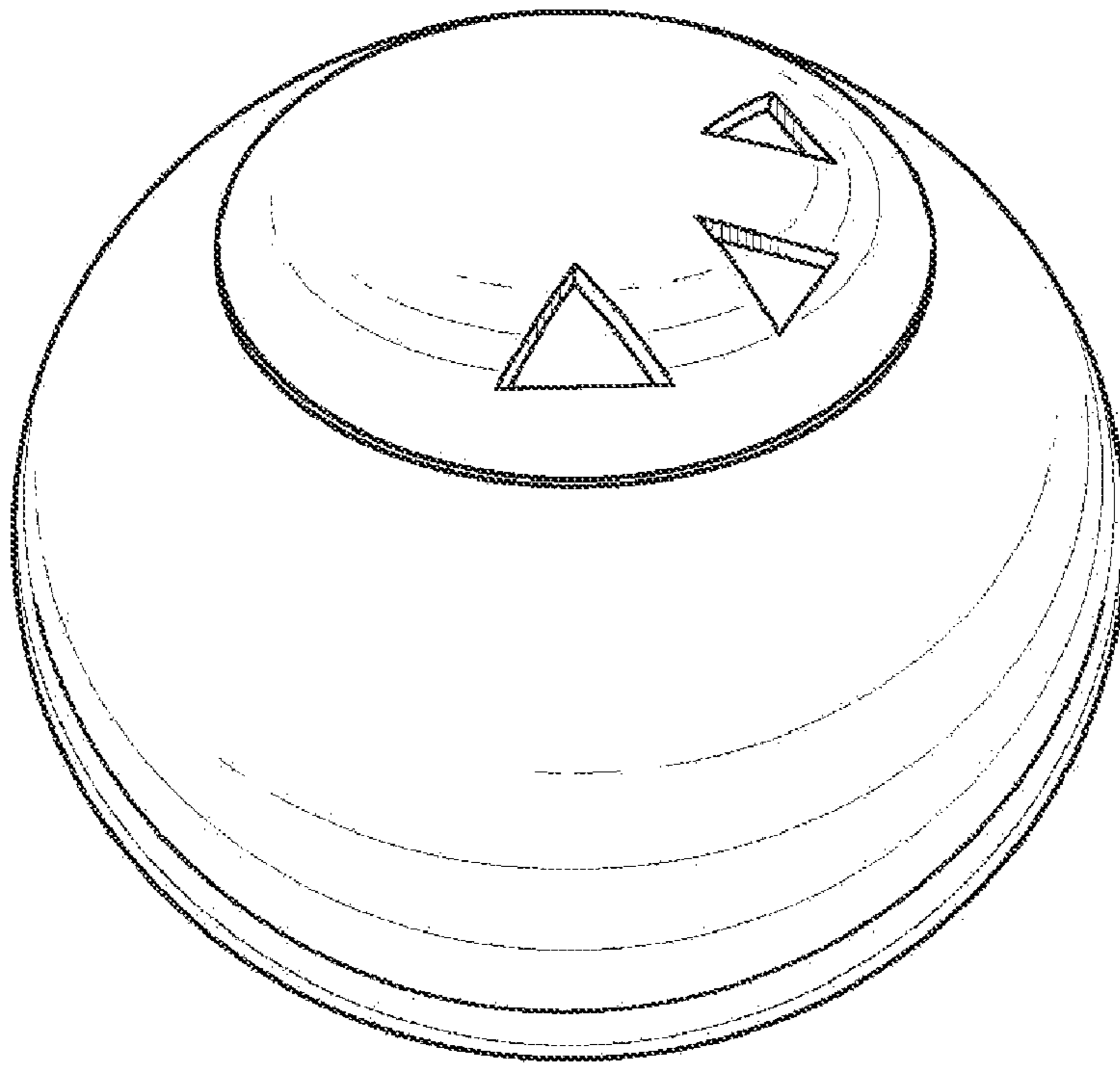


FIG. 1

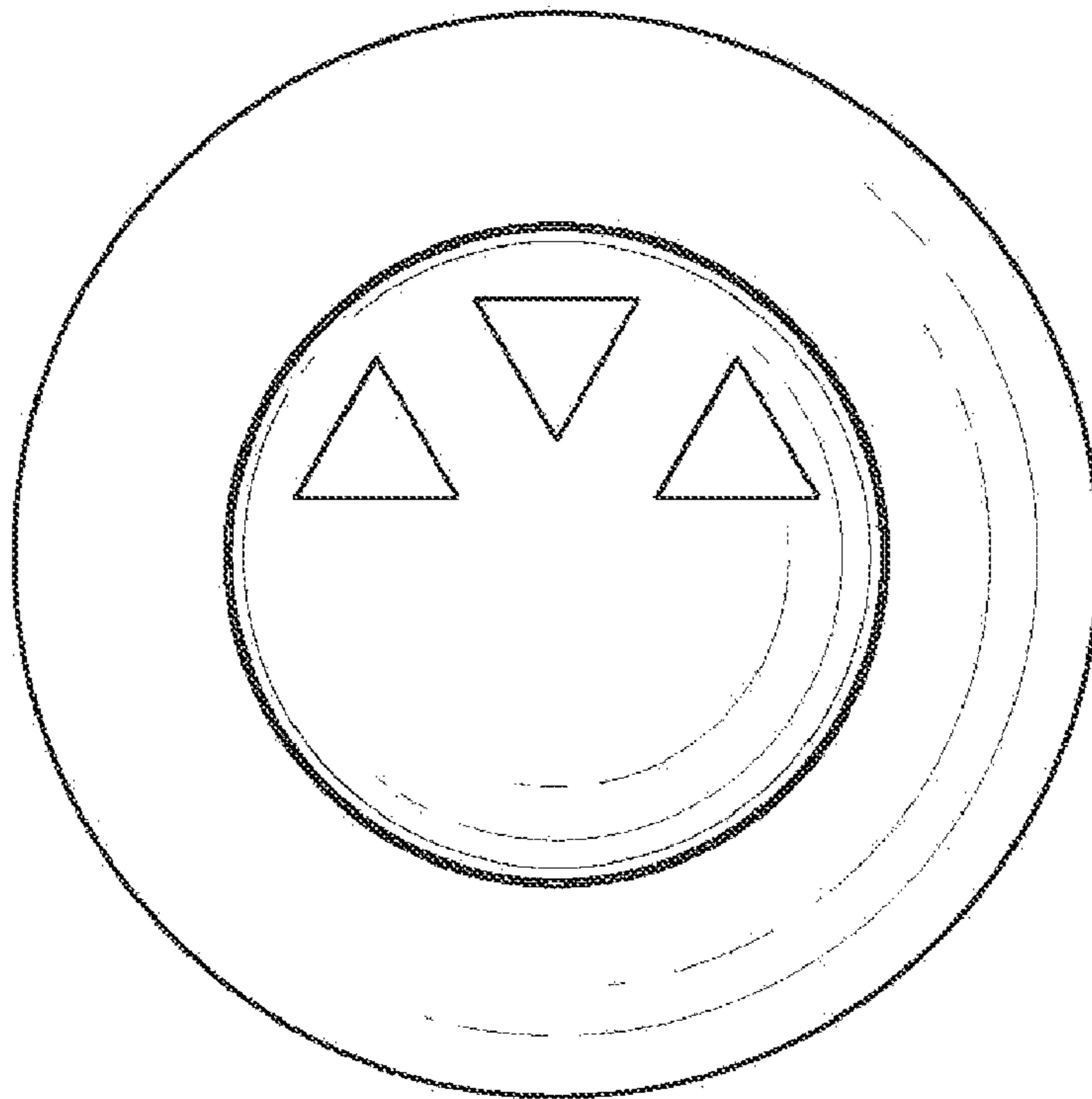


FIG. 2

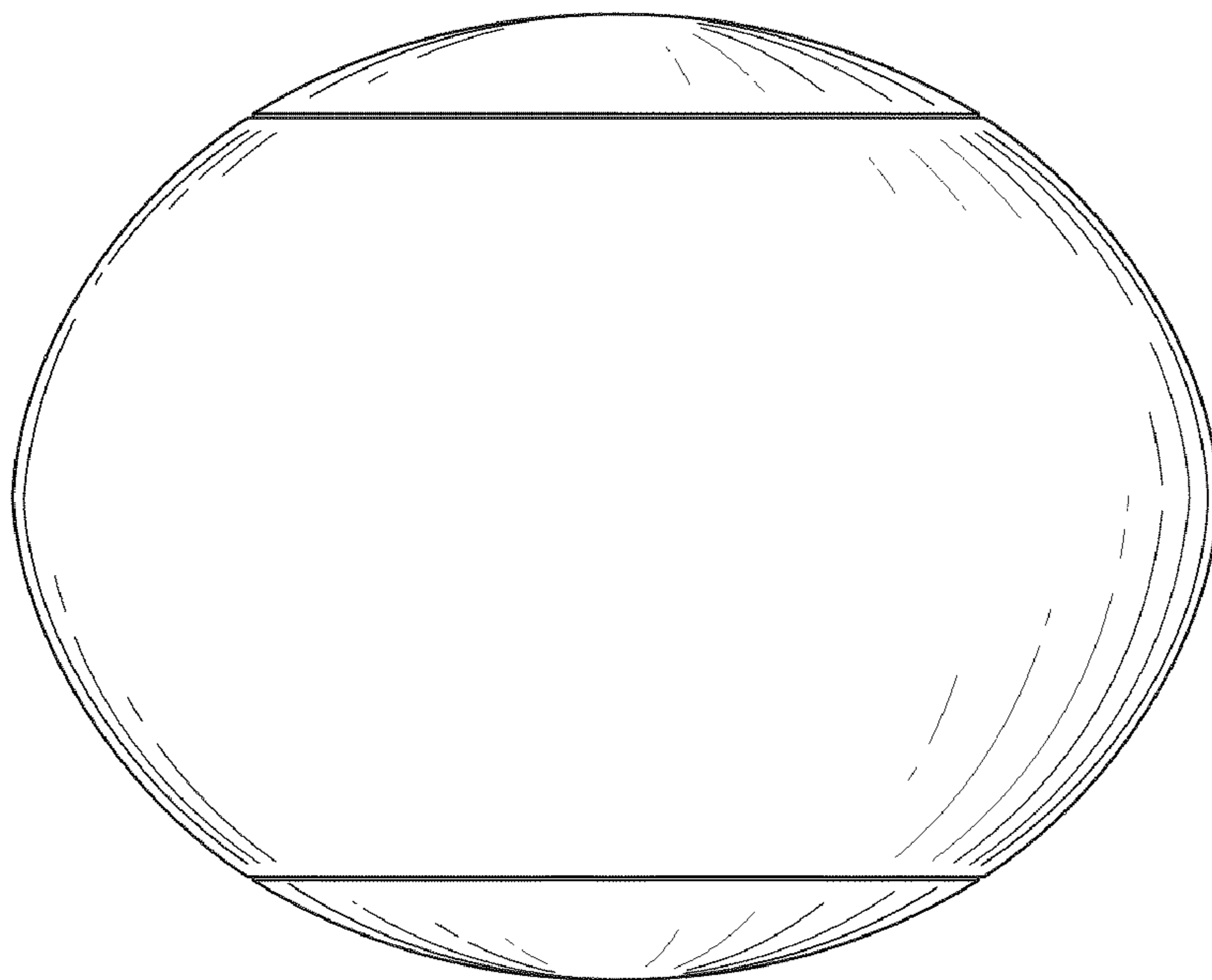


FIG. 3

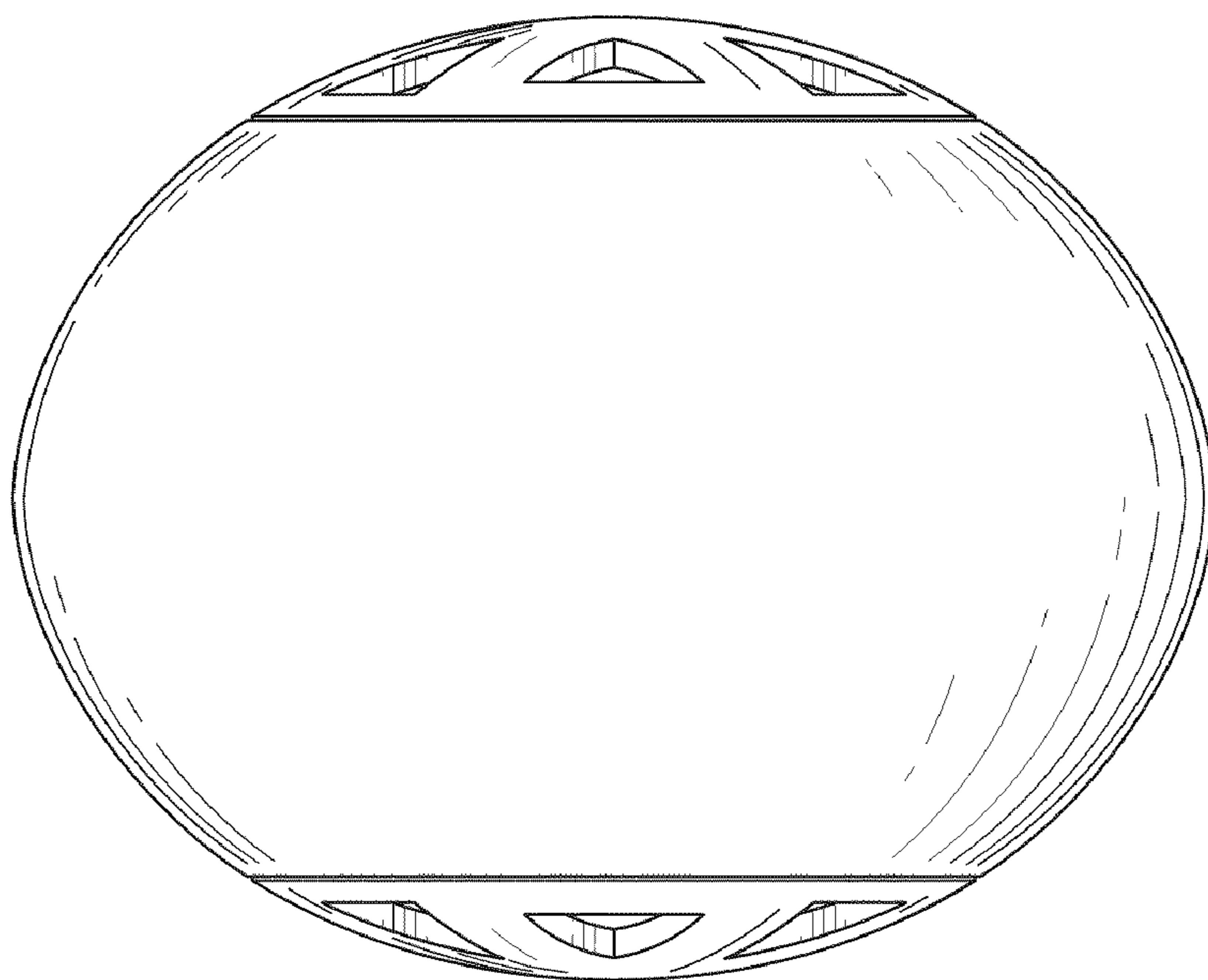


FIG. 4

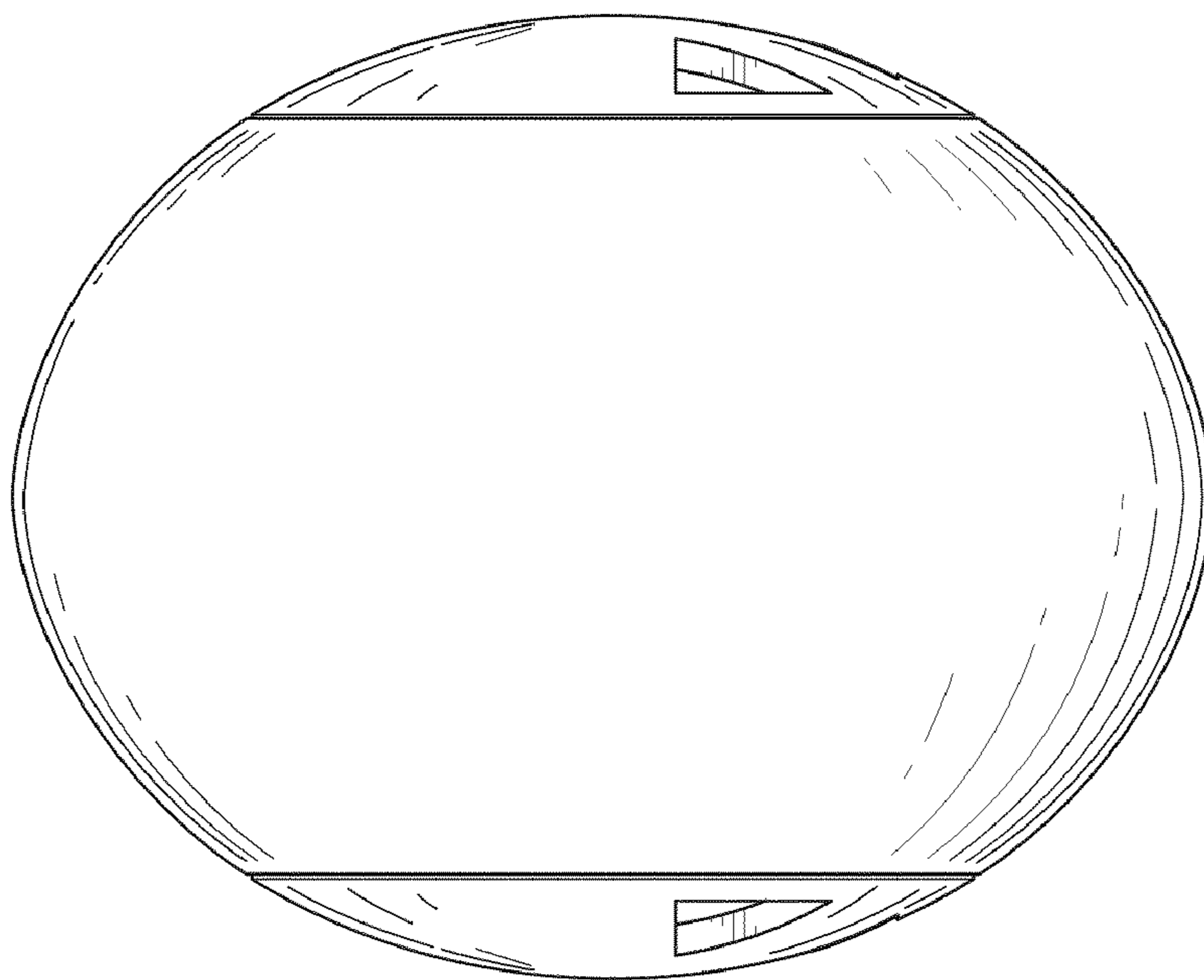


FIG. 5

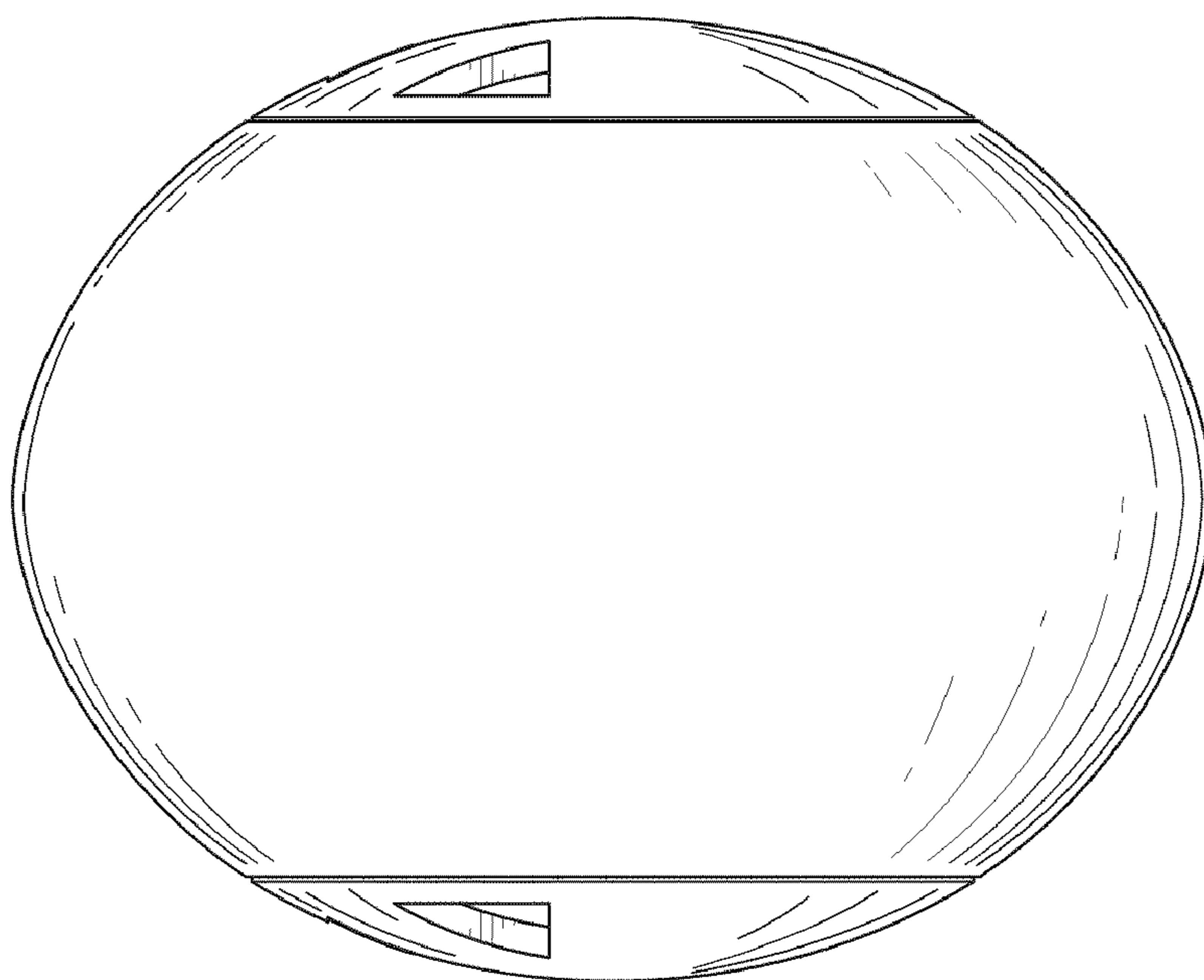


FIG. 6