



US00D611586S

(12) **United States Design Patent**
Ko et al.

(10) **Patent No.:** **US D611,586 S**
(45) **Date of Patent:** **** Mar. 9, 2010**

(54) **AIR FRESHENER DEVICE**

(75) Inventors: **Ada Ho Yau Ko**, Cincinnati, OH (US);
Michael Sean Farrell, Terrace Park, OH
(US); **Norio Fujikawa**, San Francisco,
CA (US)

(73) Assignee: **The Procter & Gamble Company**,
Cincinnati, OH (US)

(**) Term: **14 Years**

(21) Appl. No.: **29/341,679**

(22) Filed: **Aug. 11, 2009**

(51) **LOC (9) Cl.** **28-99**

(52) **U.S. Cl.** **D23/366**

(58) **Field of Classification Search** D23/355-369;
D28/5, 6; 261/DIG. 17, DIG. 42, DIG. 65,
261/DIG. 88, DIG. 89; 392/386, 390, 391,
392/392, 394, 395, 389, 393; 239/34, 35,
239/43-45, 53, 56, 57, 60, 326, 42, 50, 55

See application file for complete search history.

(56) **References Cited**

U.S. PATENT DOCUMENTS

D452,955 S *	1/2002	Bulsink	D9/517
D465,019 S *	10/2002	Wu	D23/366
D480,792 S *	10/2003	Millan	D23/366
D481,787 S *	11/2003	Millan	D23/366
D485,340 S *	1/2004	Wu	D23/366
D529,162 S *	9/2006	Bulsink	D23/366
D532,893 S *	11/2006	Wu	D23/366
D534,265 S *	12/2006	Weggelaar	D23/366

D535,735 S *	1/2007	Ruiz Ballesteros et al.	..	D23/366
D561,319 S *	2/2008	Weggelaar	D23/366
D563,560 S *	3/2008	Copeland	D24/224
D586,900 S *	2/2009	Weggelaar	D23/366

* cited by examiner

Primary Examiner—Sandra Snapp

(74) *Attorney, Agent, or Firm*—Amy I. Ahn-Roll

(57) **CLAIM**

The ornamental design for an air freshener device, as shown and described.

DESCRIPTION

FIG. 1 is perspective view of an air freshener device according to the present invention;

FIG. 2 is a front view of the air freshener device according to the present invention;

FIG. 3 is a right side view of the air freshener device according to the present invention;

FIG. 4 is a left side view of the air freshener device according to the present invention;

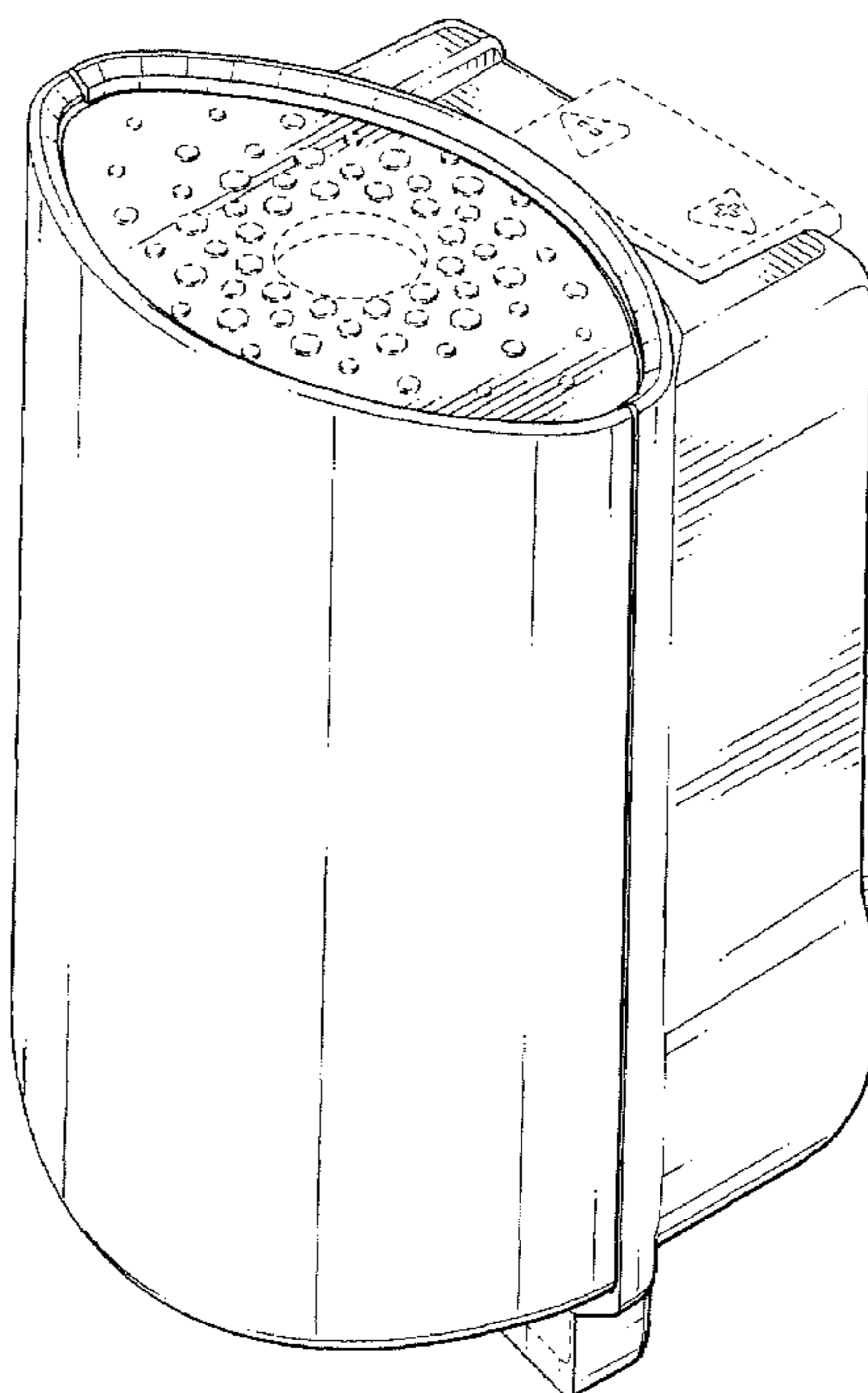
FIG. 5 is a rear view of the air freshener device according to the present invention;

FIG. 6 is a top view of the air freshener device according to the present invention; and,

FIG. 7 is a bottom plan view of the air freshener device according to the present invention;

The broken lines shown in the drawings are for illustrative purposes only and form no part of the claimed design.

1 Claim, 7 Drawing Sheets



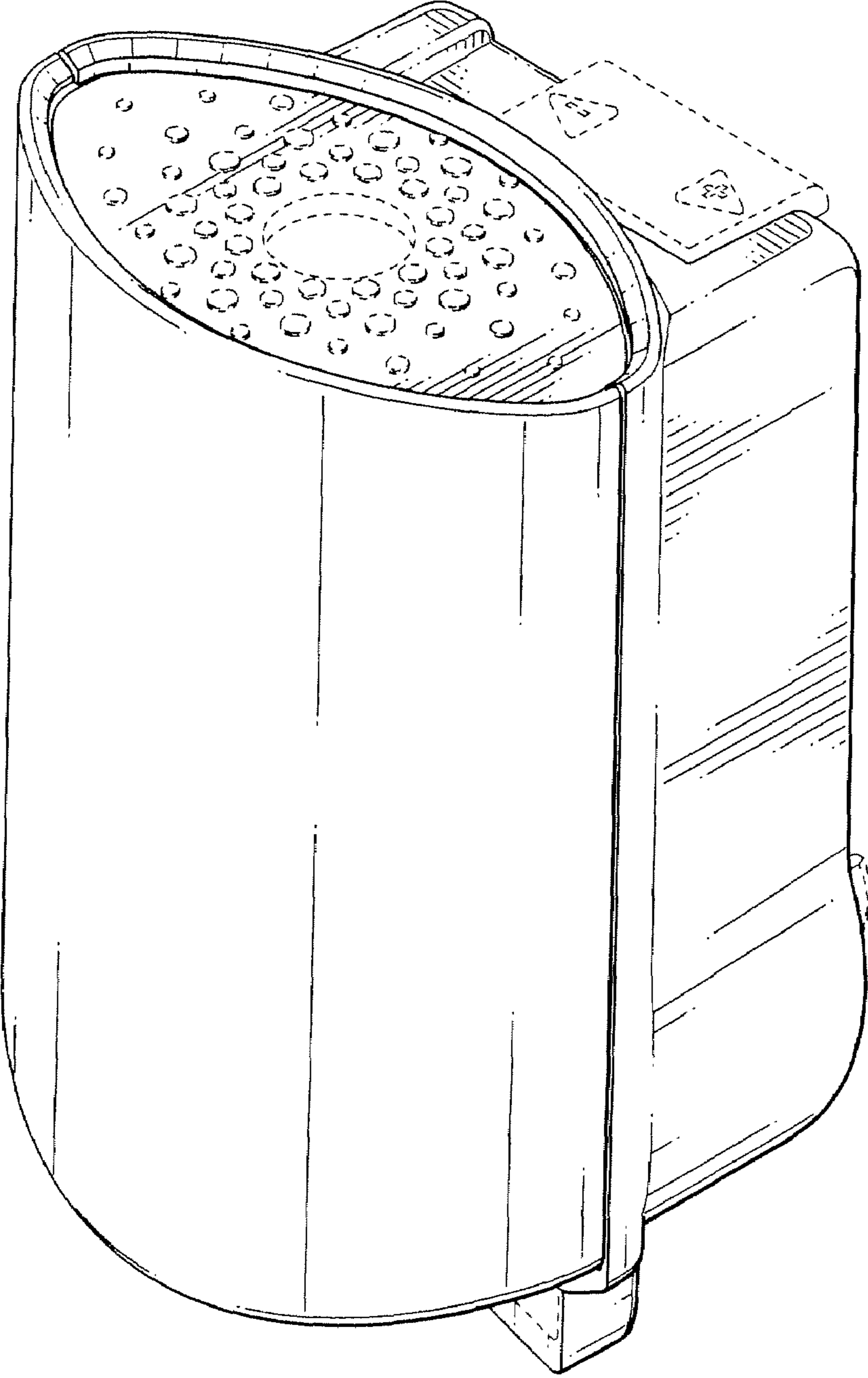


FIG. 1

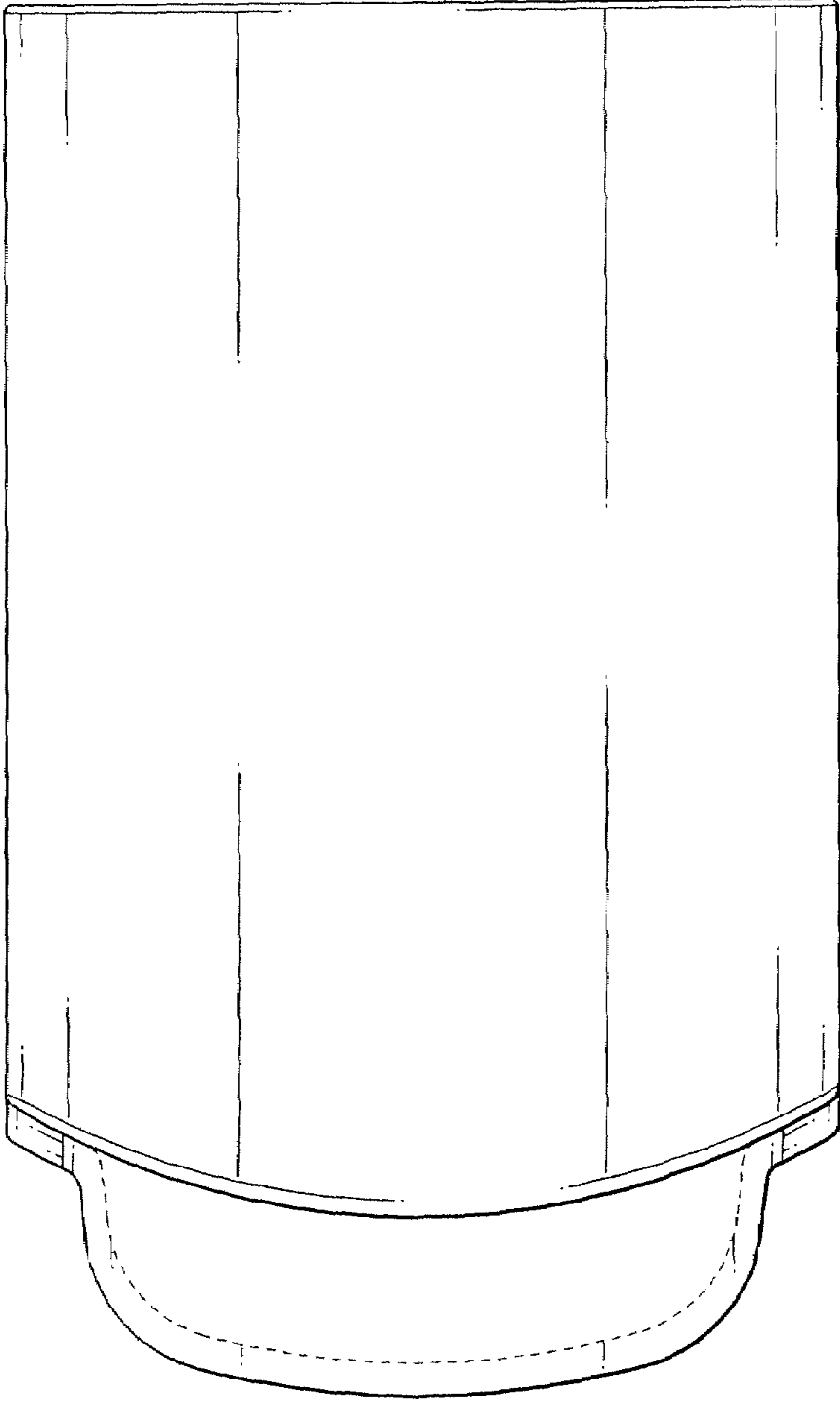


FIG. 2

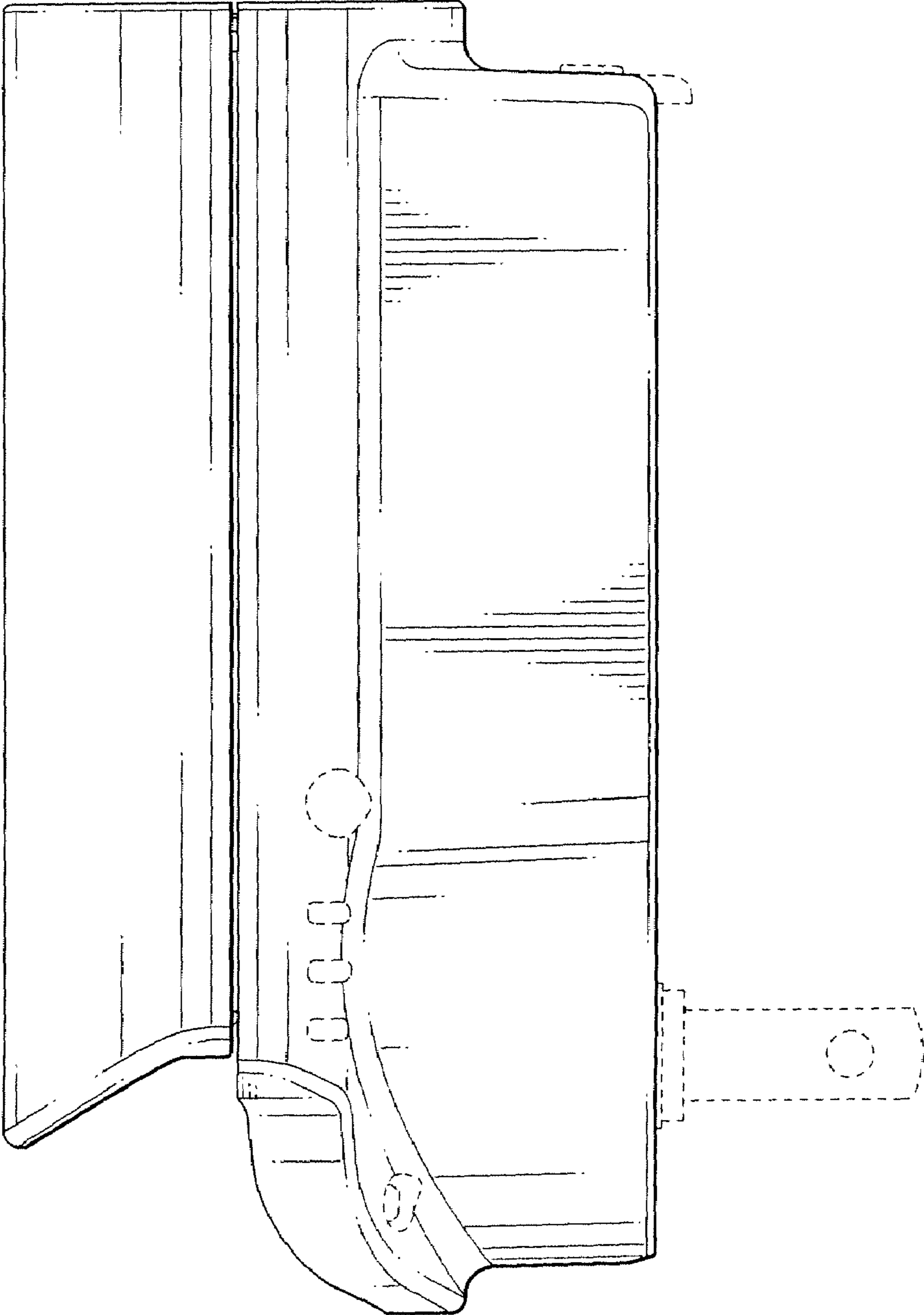


FIG. 3

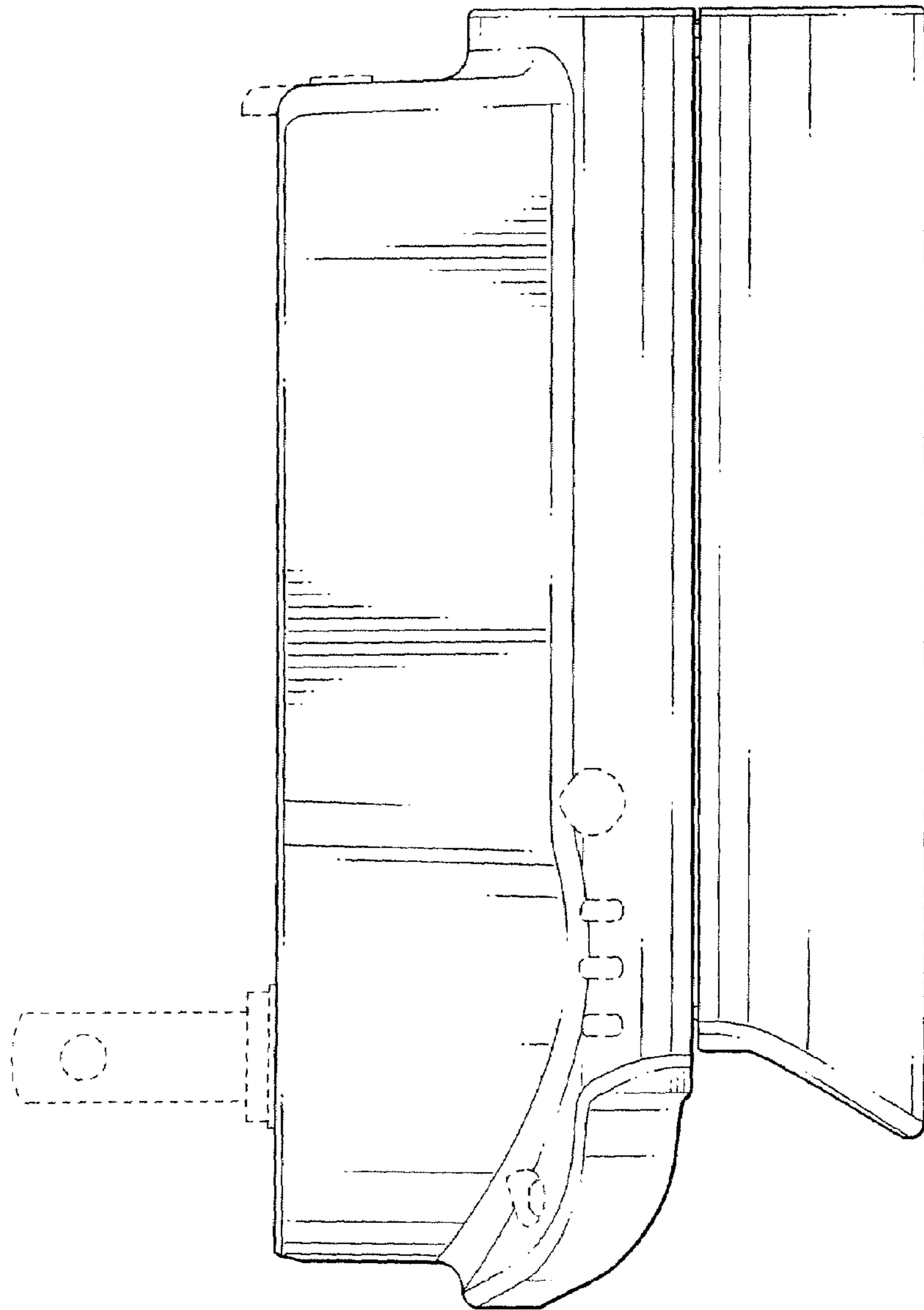


FIG. 4

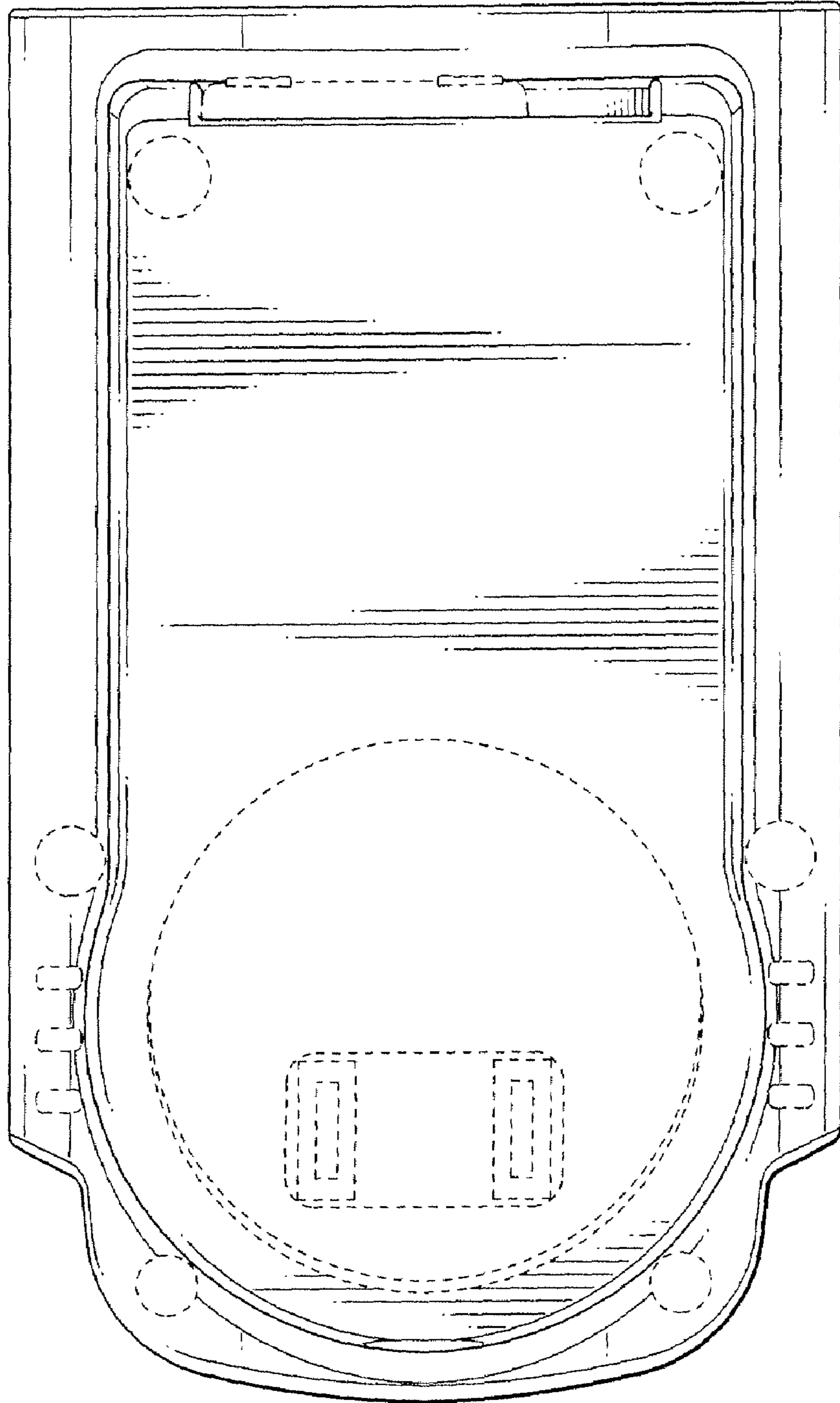


FIG. 5

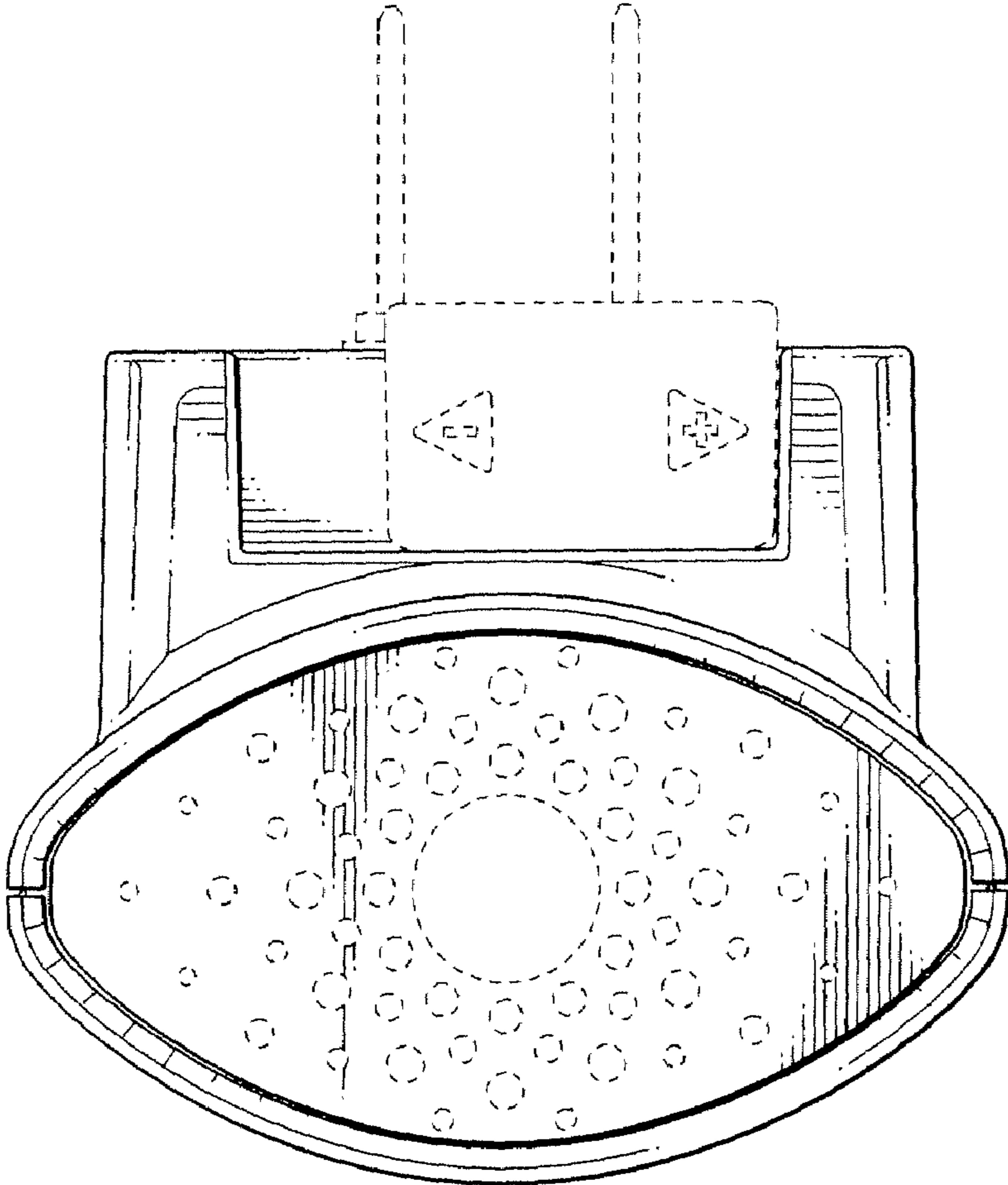


FIG. 6

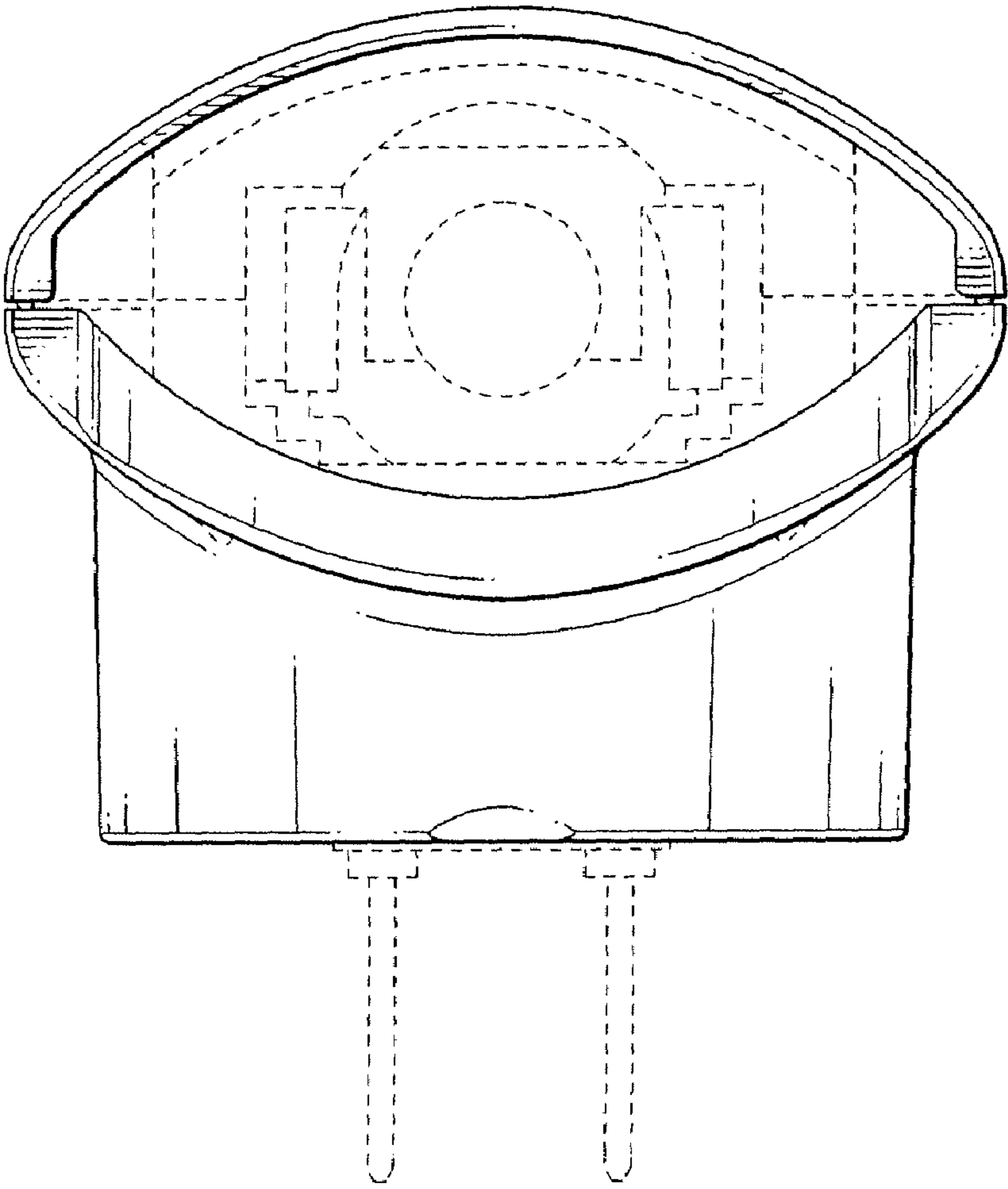


FIG. 7