



US00D611584S

(12) **United States Design Patent**
Gruenbacher et al.

(10) **Patent No.:** **US D611,584 S**

(45) **Date of Patent:** **** Mar. 9, 2010**

(54) **AIR FRESHENER DEVICE**

(75) Inventors: **Dana Paul Gruenbacher**, Fairfield, OH (US); **Mark William Baize**, Wyoming, OH (US); **John William Koenig**, Cincinnati, OH (US); **Stephan Gary Bush**, Liberty Township, OH (US); **Walter Sordo**, Trento (IT); **Rainer Bernhard Teufel**, Worthington, OH (US); **Richard Lee Lane**, Columbus, OH (US)

(73) Assignee: **The procter & Gamble Company**, Cincinnati, OH (US)

(**) Term: **14 Years**

(21) Appl. No.: **29/341,624**

(22) Filed: **Aug. 10, 2009**

(51) **LOC (9) Cl.** **28-99**

(52) **U.S. Cl.** **D23/366**

(58) **Field of Classification Search** D23/355-369; D28/5, 6; 261/DIG. 17, DIG. 42, DIG. 65, 261/DIG. 88, DIG. 89; 392/386, 390, 391, 392/392, 394, 395, 389, 393; 239/34, 35, 239/43-45, 53, 56, 57, 60, 326, 42, 50, 55

See application file for complete search history.

(56) **References Cited**

U.S. PATENT DOCUMENTS

D250,041 S *	10/1978	Schimanski	D23/369
4,352,457 A *	10/1982	Weick	239/45
D411,881 S *	7/1999	Weick	D23/366
D425,190 S *	5/2000	Morikawa	D23/366
D432,637 S *	10/2000	Mertens	D23/366
D433,113 S *	10/2000	Cole	D23/360

(Continued)

Primary Examiner—Sandra Snapp

(74) *Attorney, Agent, or Firm*—Julia A. Glazer; Kim W. Zerby; Steven W. Miller

(57) **CLAIM**

The ornamental design for an air freshener device, as shown and described.

DESCRIPTION

FIG. 1 is a perspective view of a first embodiment of an air freshener device showing our new design.

FIG. 2 is a front view of the air freshener device of FIG. 1.

FIG. 3 is a left side view of the air freshener device of FIG. 1.

FIG. 4 is a right side view of the air freshener device of FIG. 1.

FIG. 5 is a back view of the air freshener device of FIG. 1.

FIG. 6 is a top view of the air freshener device of FIG. 1.

FIG. 7 is a bottom view of the air freshener device of FIG. 1.

FIG. 8 is a perspective view of a second embodiment of an air freshener device.

FIG. 9 is a front view of the air freshener device of FIG. 8.

FIG. 10 is a left side view of the air freshener device of FIG. 8.

FIG. 11 is a right side view of the air freshener device of FIG. 8.

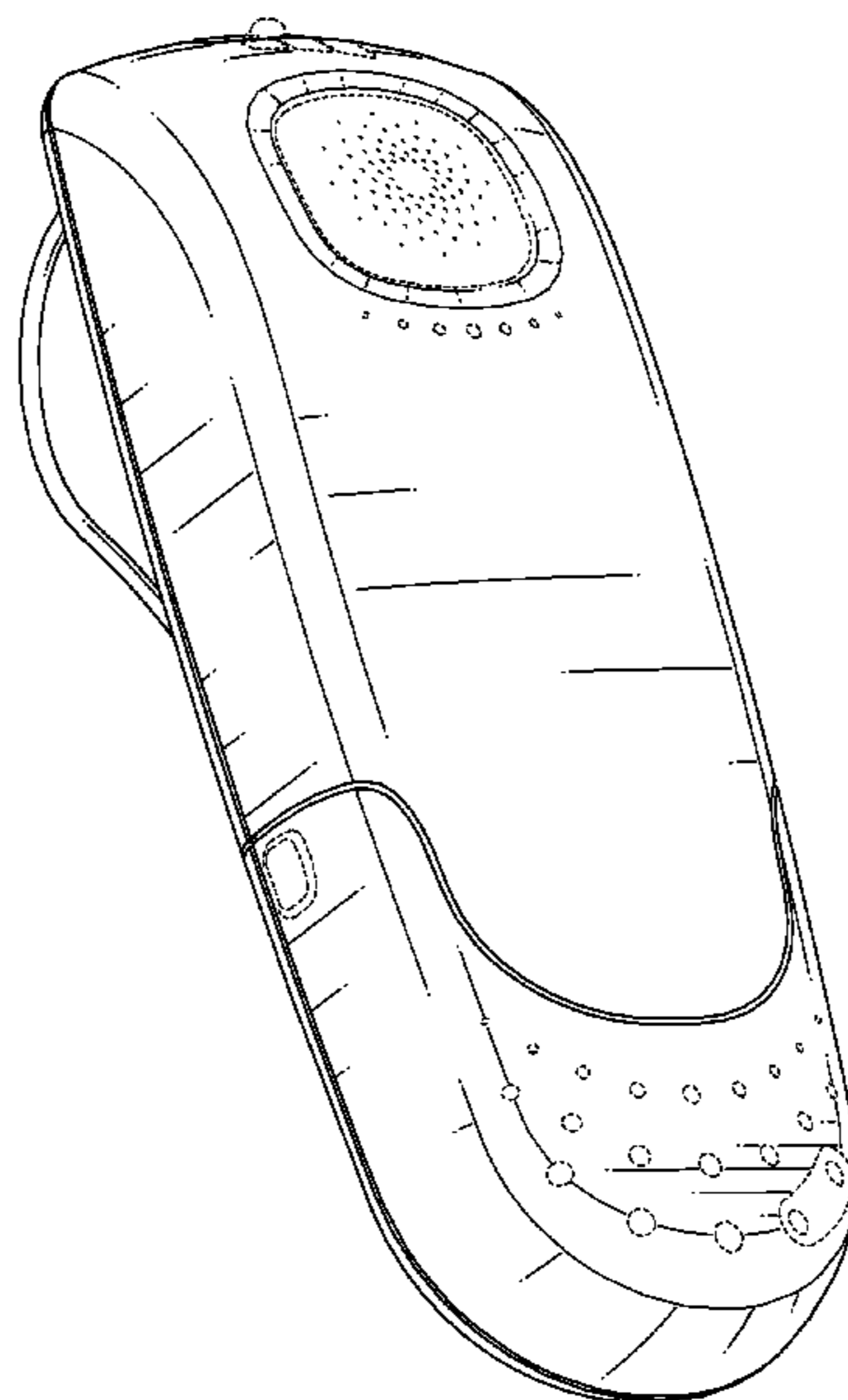
FIG. 12 is a back view of the air freshener device of FIG. 8.

FIG. 13 is a top view of the air freshener device of FIG. 8; and,

FIG. 14 is a bottom view of the air freshener device of FIG. 8.

The broken line showing of environmental structure in the figures is for illustrative purposes only and forms no part of the claimed design.

1 Claim, 12 Drawing Sheets



US D611,584 S

Page 2

U.S. PATENT DOCUMENTS

D438,608 S *	3/2001	Chen	D23/366	D534,641 S *	1/2007	Chen	D23/366
D468,033 S *	12/2002	Warren et al.	D26/26	D561,872 S *	2/2008	Milner et al.	D23/208
D477,390 S *	7/2003	Chen	D23/366	D575,384 S *	8/2008	Huang	D23/366
D488,549 S *	4/2004	Chen	D23/366	D575,859 S *	8/2008	Scimone	D23/366
D495,045 S *	8/2004	Chen	D23/366	D582,536 S *	12/2008	Nestor et al.	D23/366
D512,494 S *	12/2005	Haranaka	D23/355	D586,900 S *	2/2009	Weggelaar	D23/366
D521,138 S *	5/2006	Wu	D23/366	D598,531 S *	8/2009	Irvin	D23/366

* cited by examiner

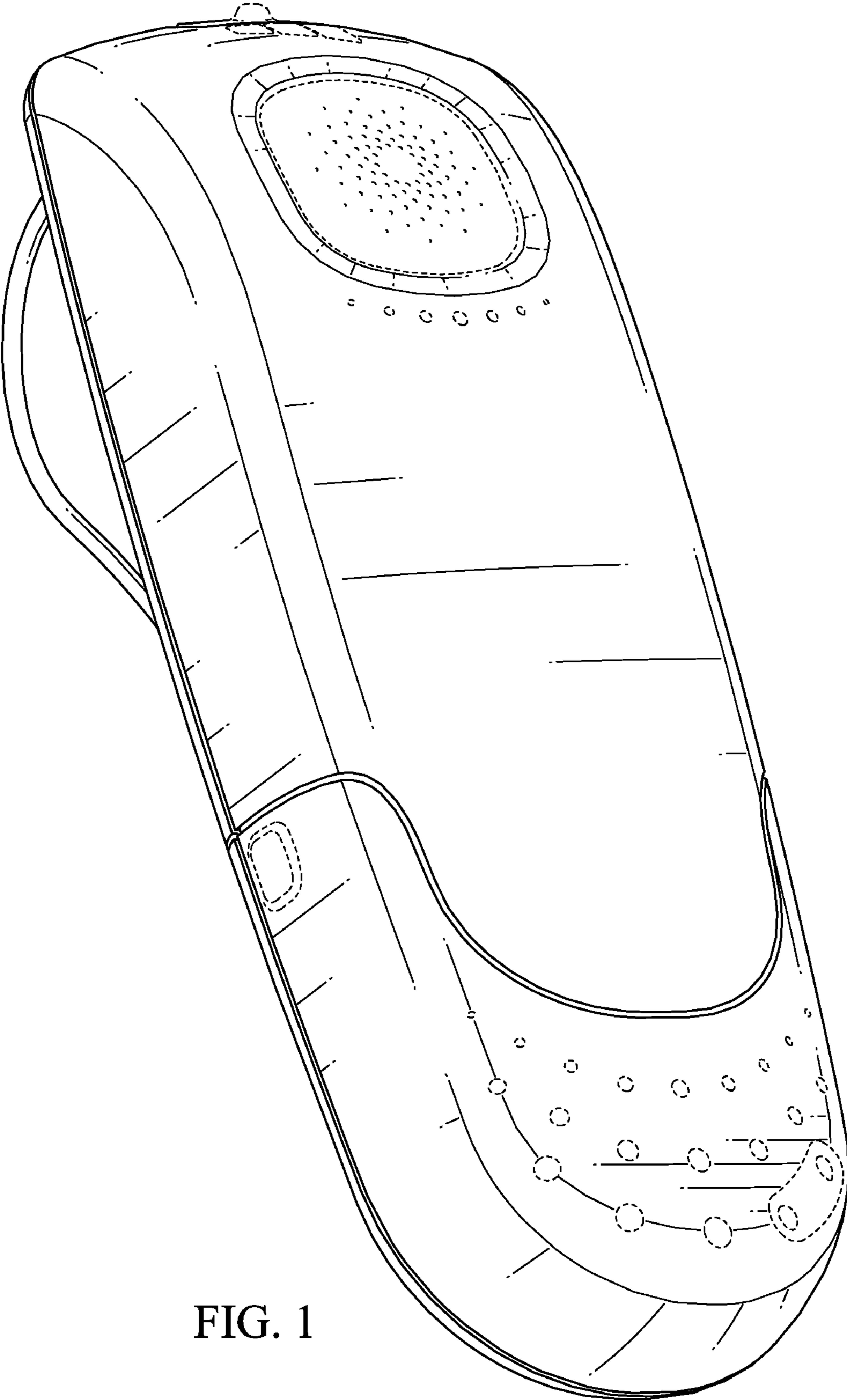


FIG. 1

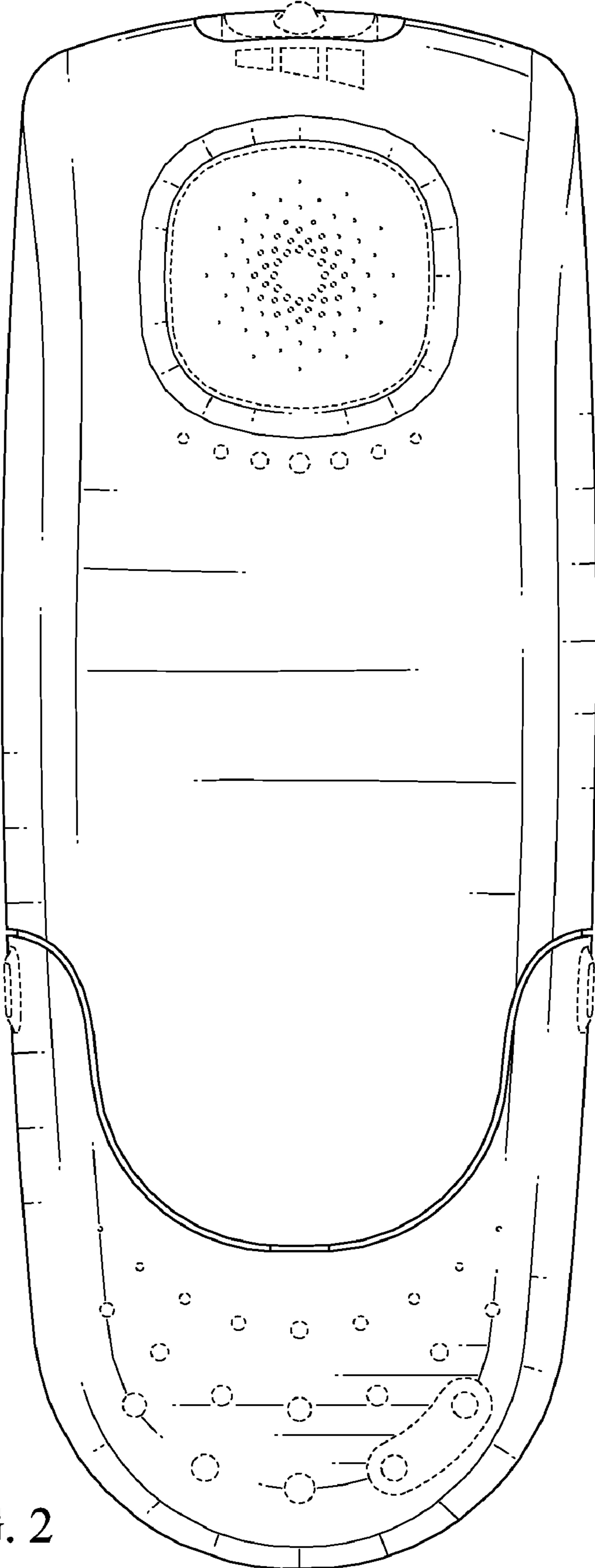


FIG. 2

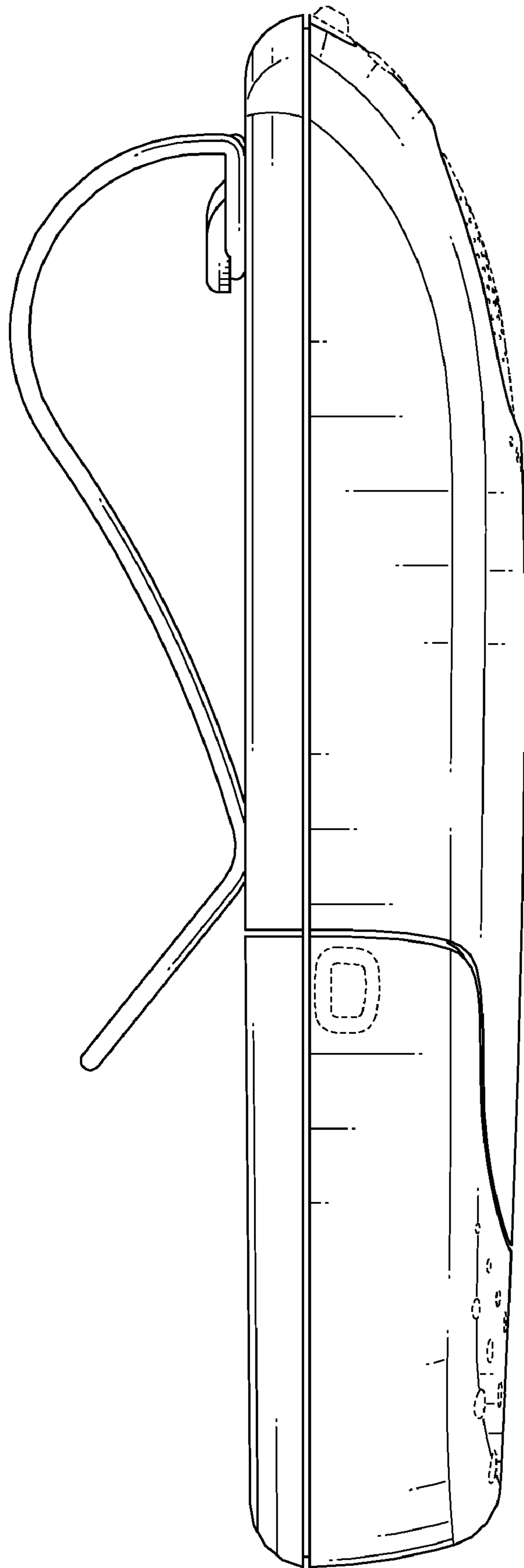


FIG. 3

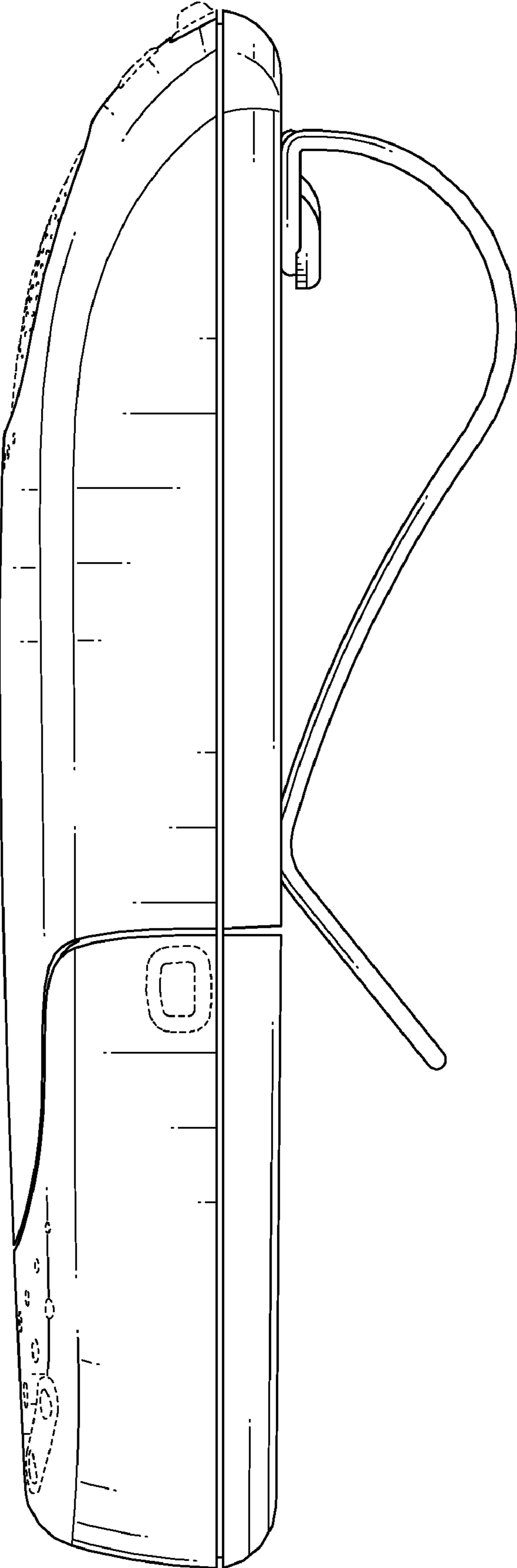


FIG. 4

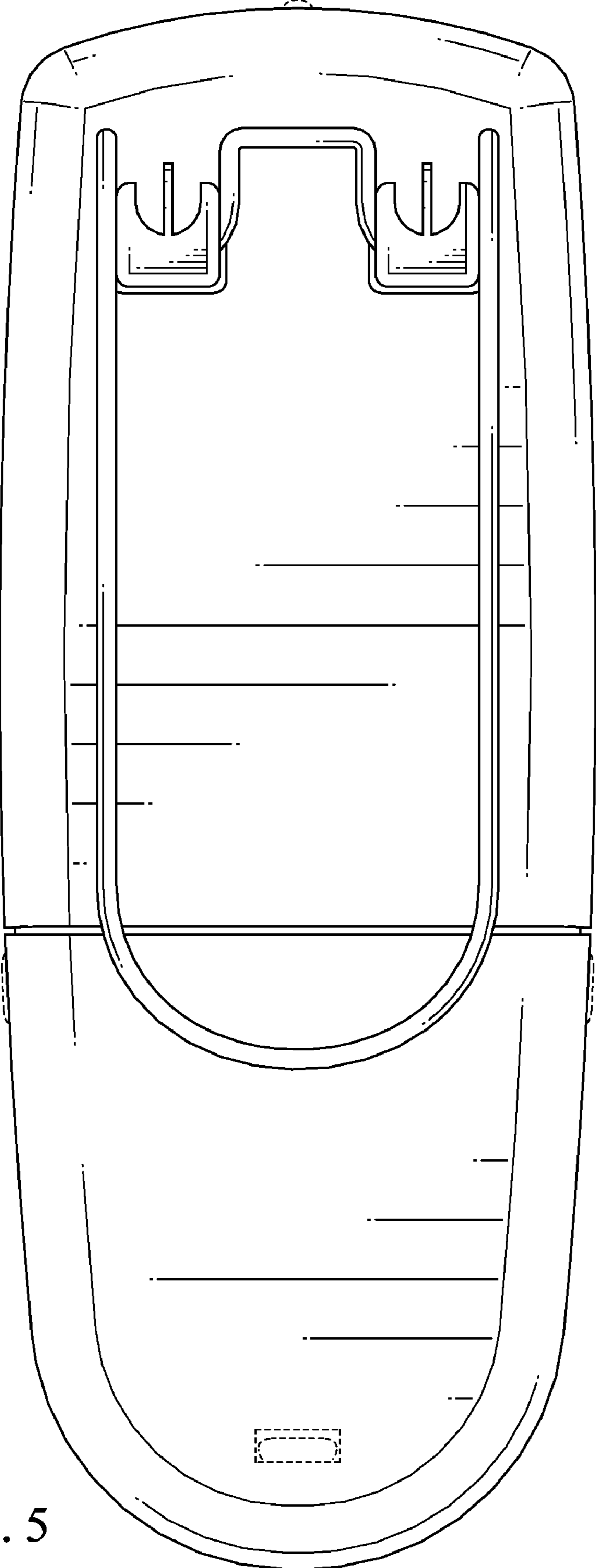


FIG. 5

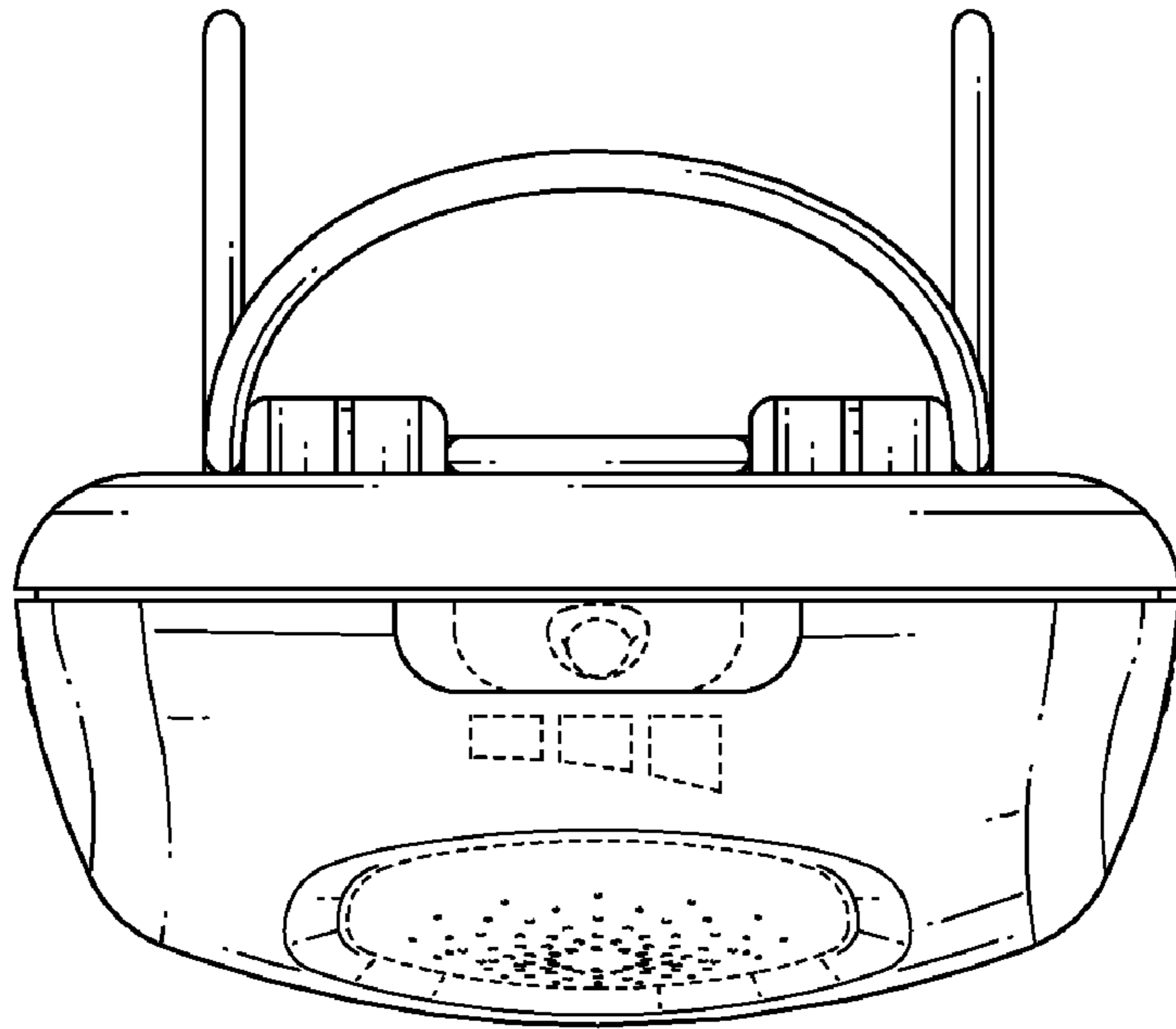


FIG. 6

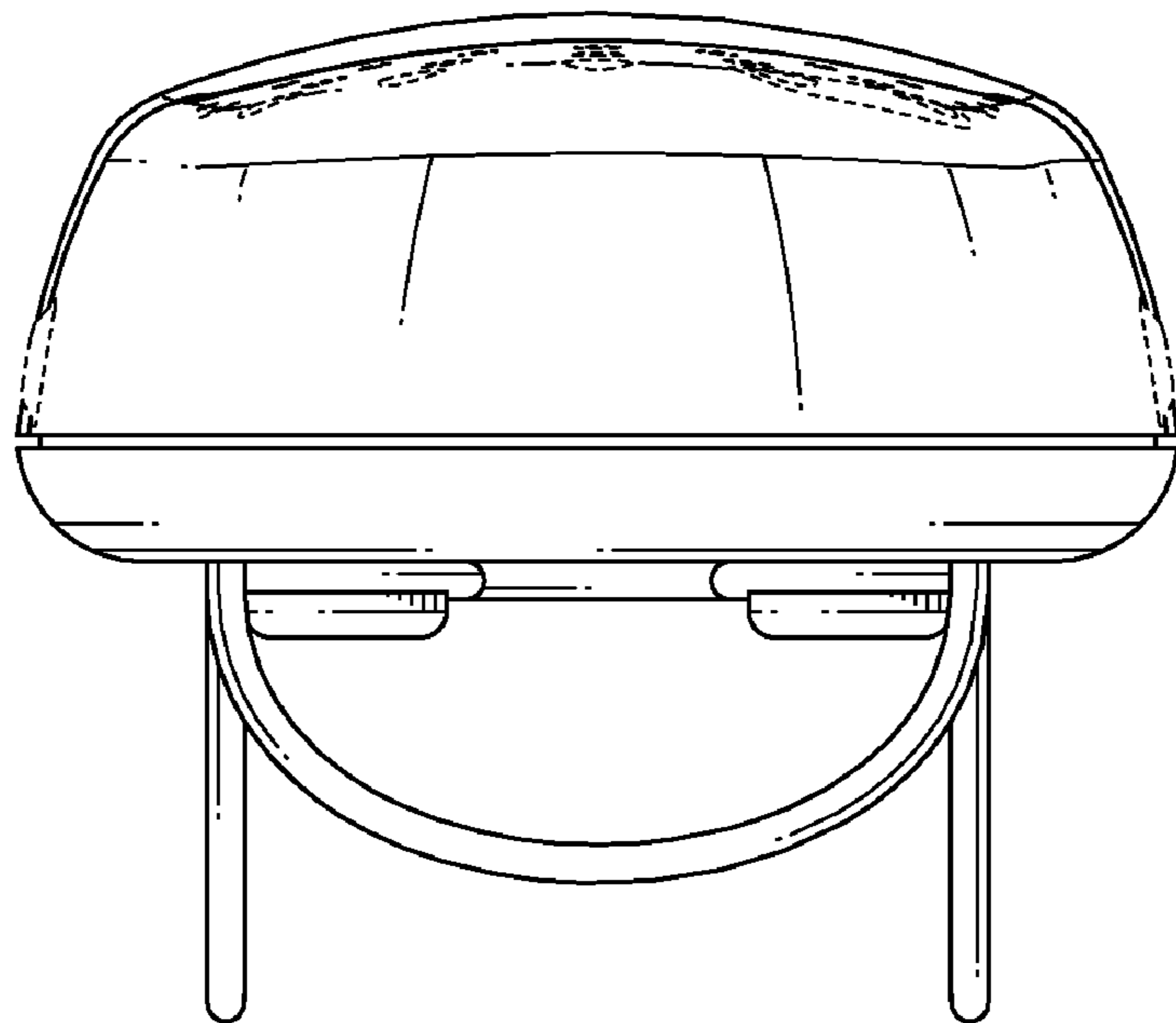


FIG. 7

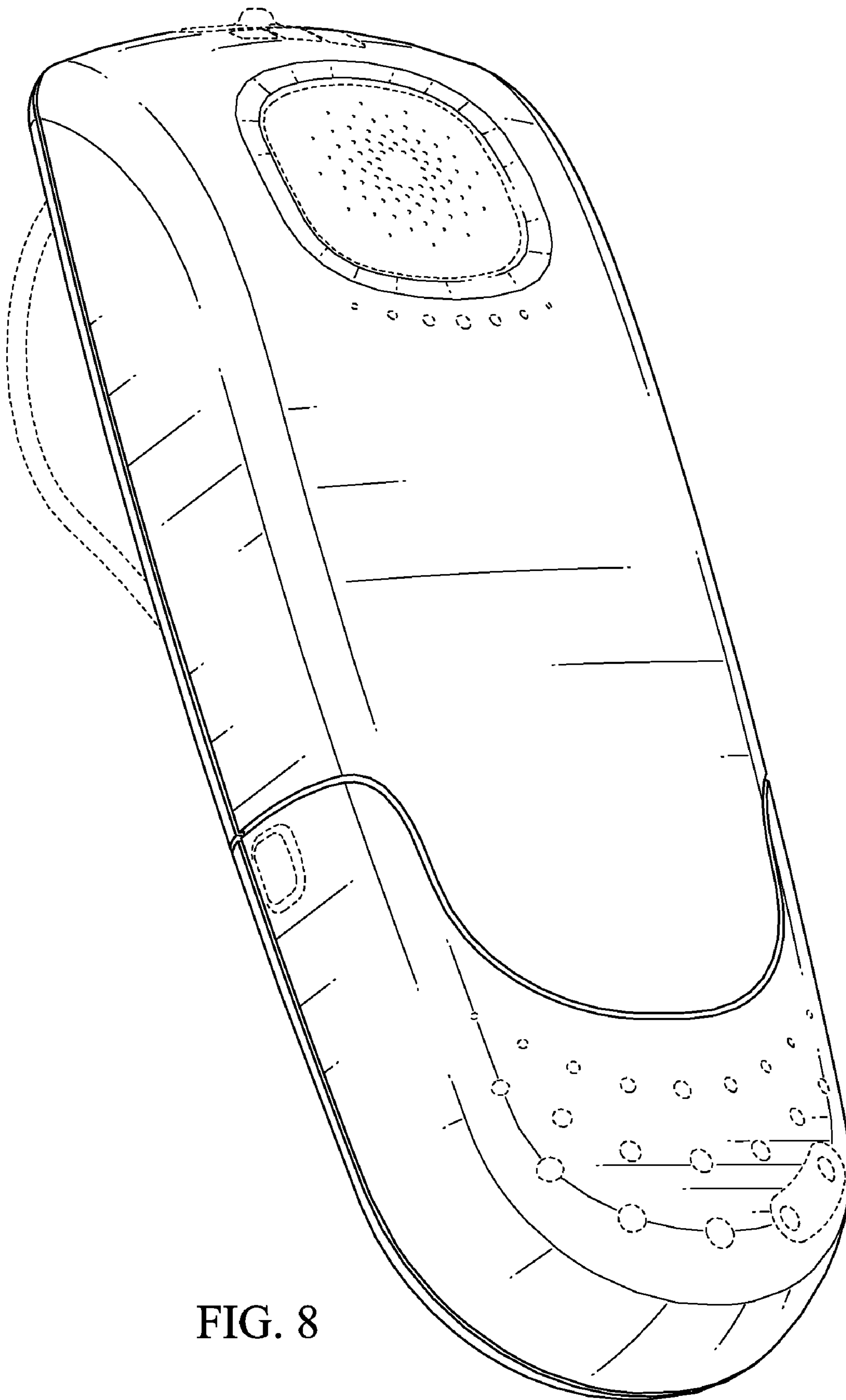


FIG. 8

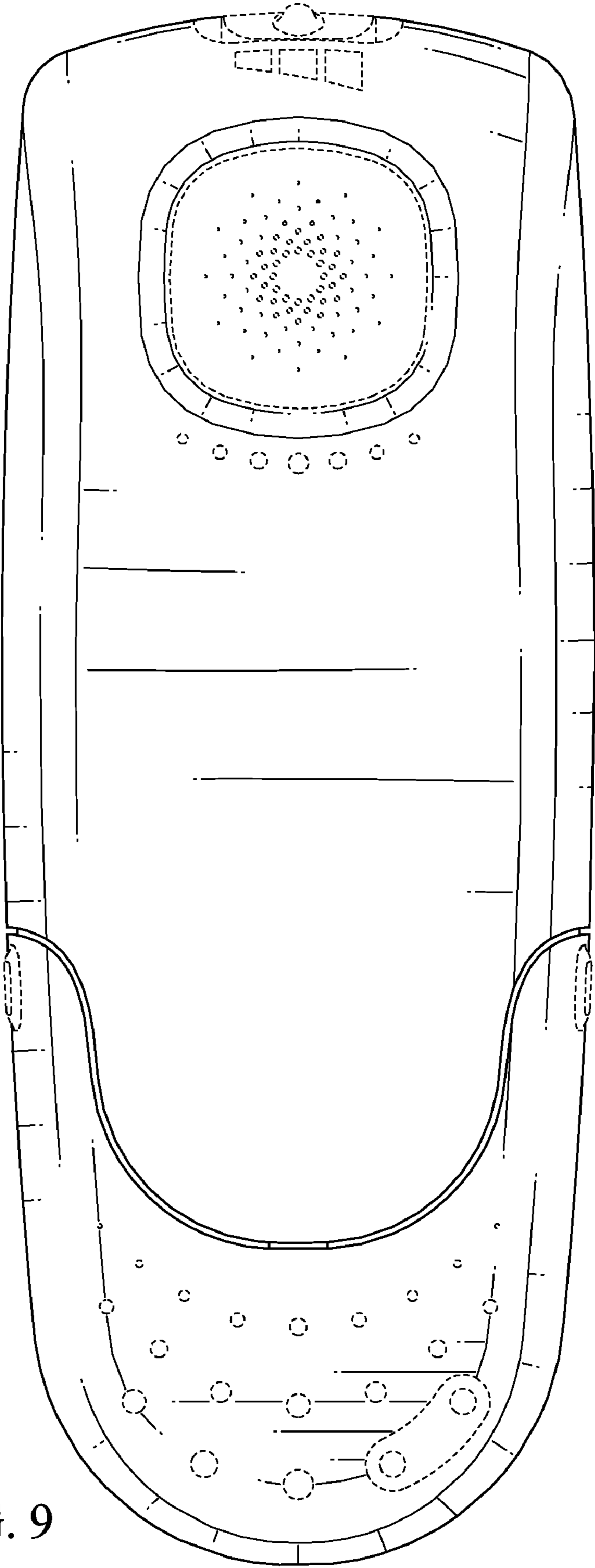


FIG. 9

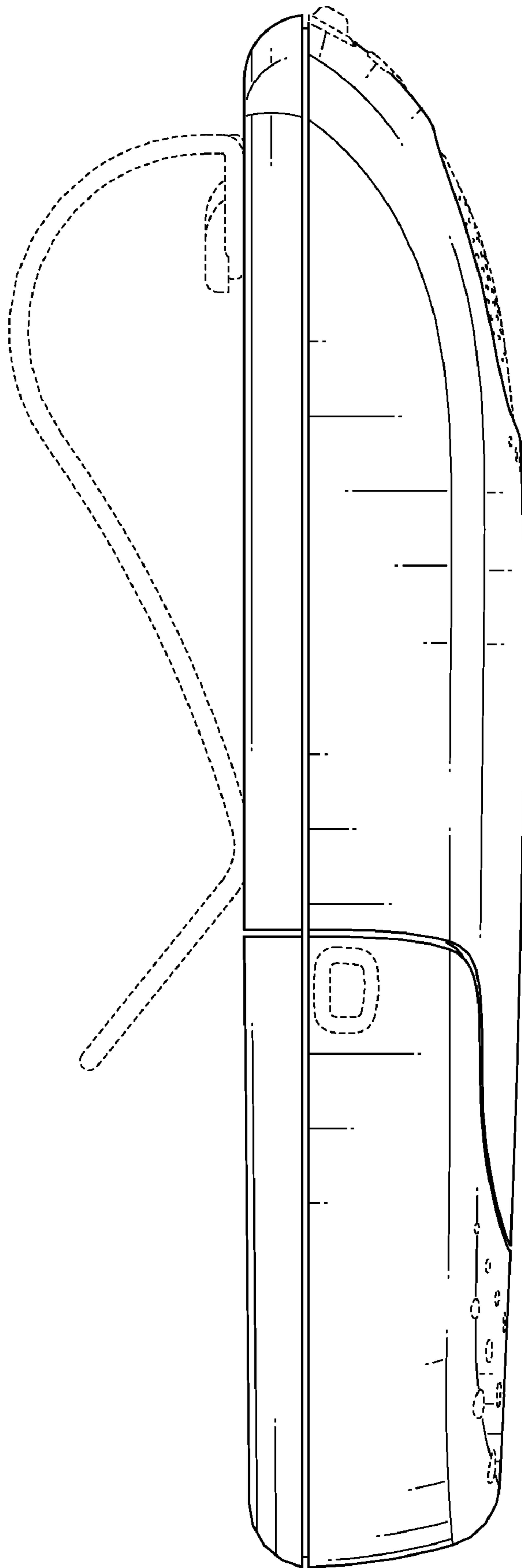


FIG. 10

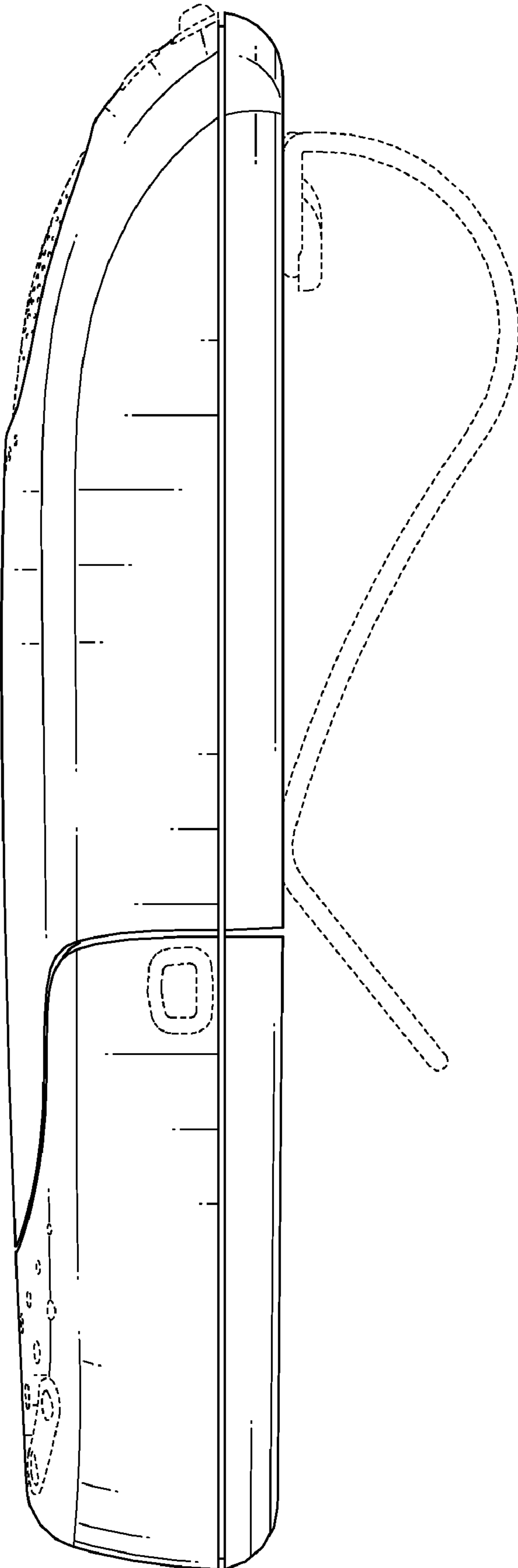


FIG. 11

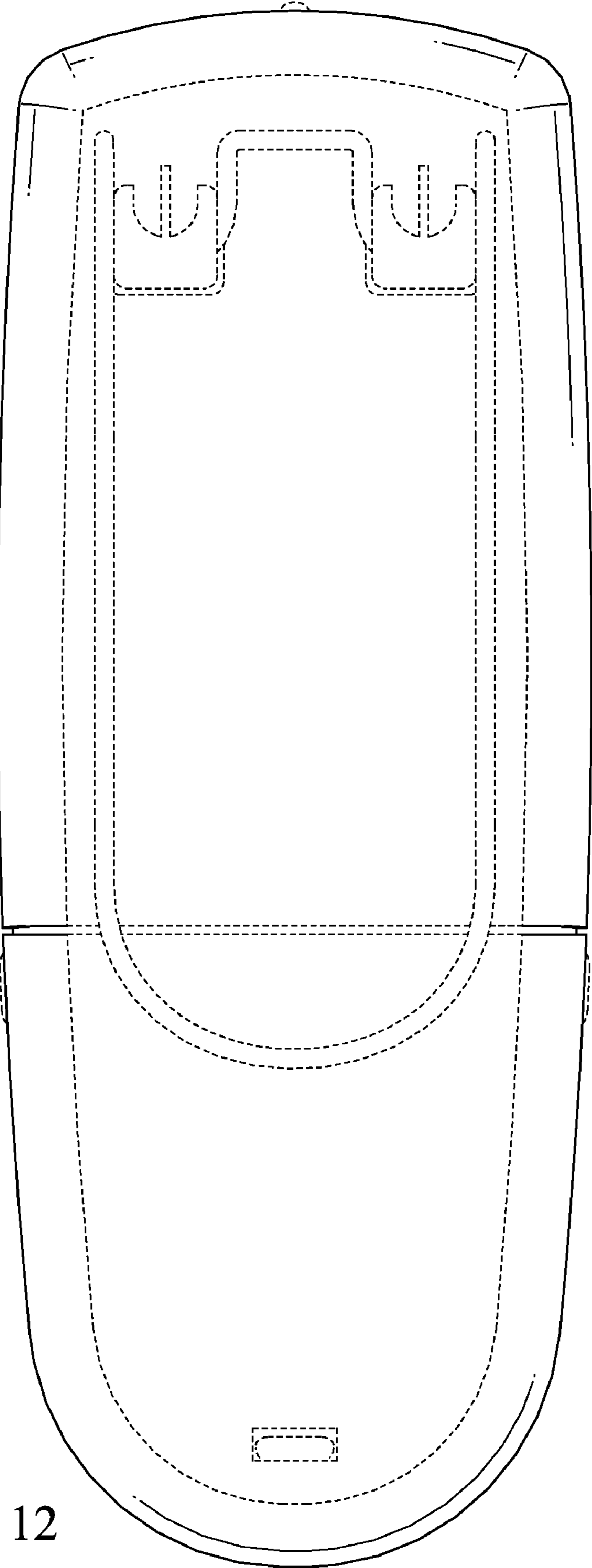


FIG. 12

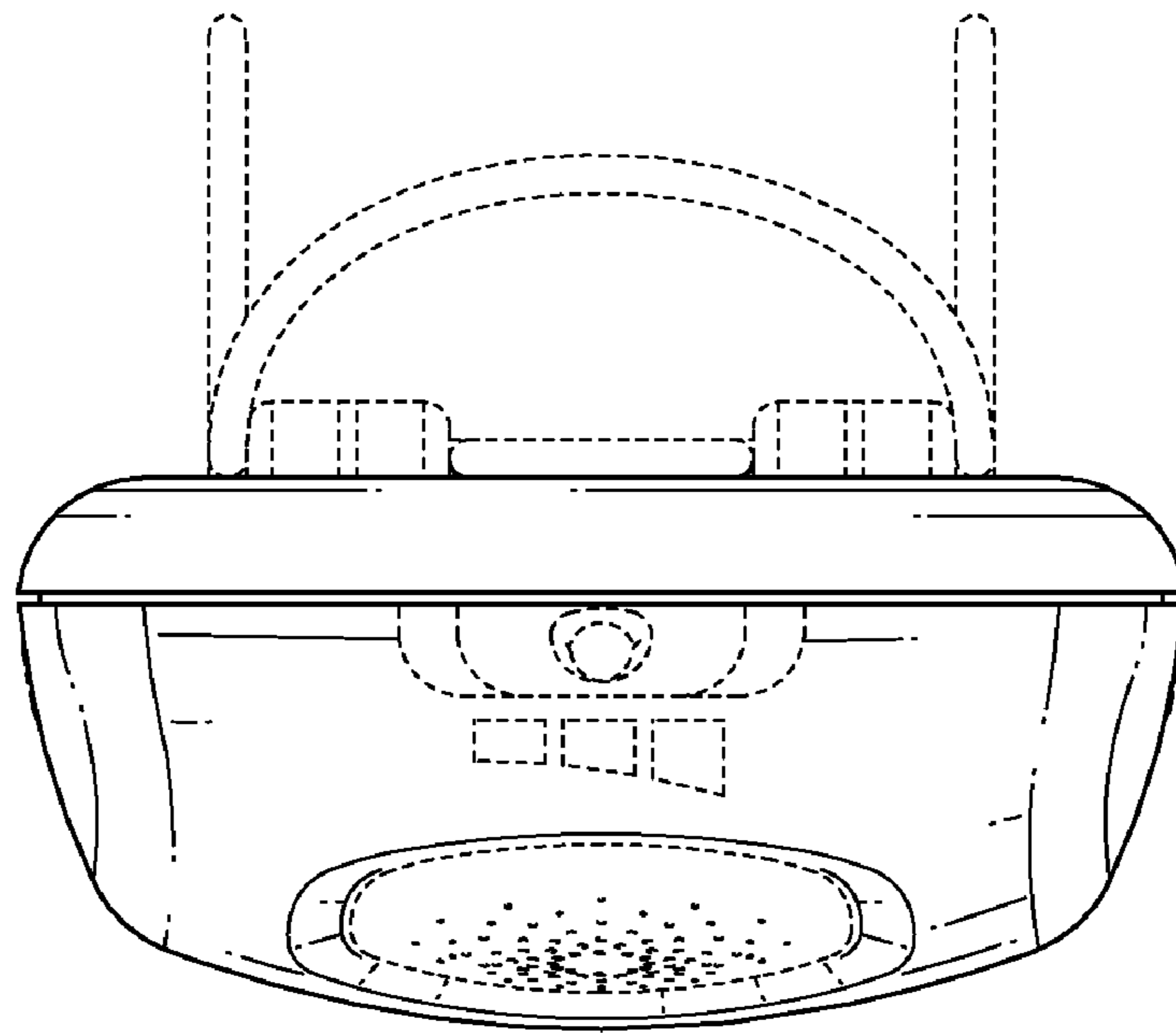


FIG. 13

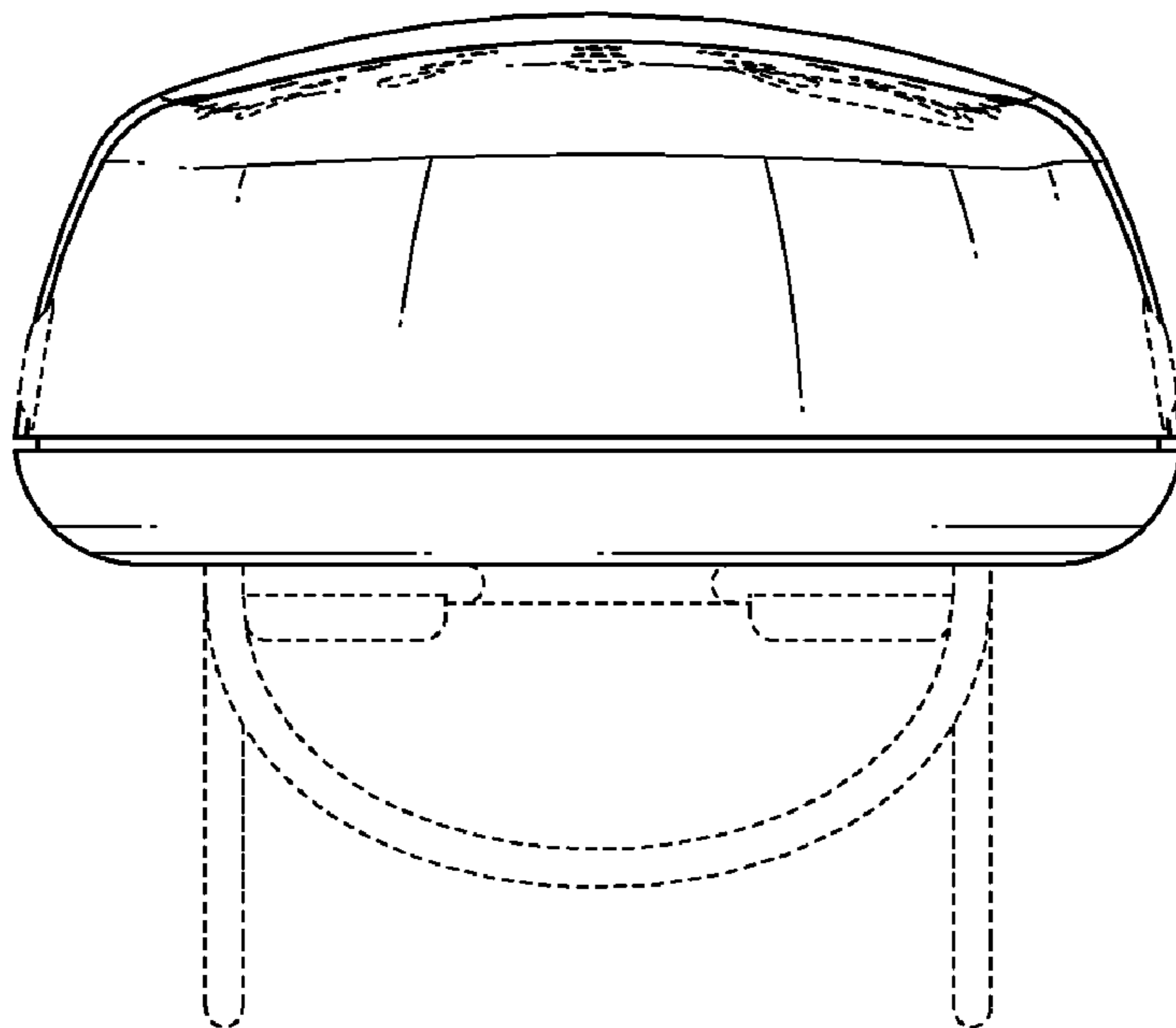


FIG. 14