



US00D611578S

(12) **United States Design Patent**
Torres

(10) **Patent No.:** **US D611,578 S**
(45) **Date of Patent:** **** Mar. 9, 2010**

(54) **ACCESSIBLE BATHTUB**

D573,700 S 7/2008 Clarke

(75) Inventor: **Raymond C. Torres**, Moreno Valley, CA
(US)

* cited by examiner

(73) Assignee: **Lasco Bathware, Inc.**, Anaheim, CA
(US)

Primary Examiner—Robert A Delehanty

(74) *Attorney, Agent, or Firm*—P. N. Dunlap, Esq.; J. A. Thurnau, Esq.; J. L. Mahurin, Esq.

(**) Term: **14 Years**

(57) **CLAIM**

(21) Appl. No.: **29/336,220**

The ornamental design for an accessible bathtub, as shown and described.

(22) Filed: **Apr. 29, 2009**

DESCRIPTION

(51) **LOC (9) Cl.** **23-02**

(52) **U.S. Cl.** **D23/279**

(58) **Field of Classification Search** D23/277,
D23/279–280.3, 283, 304–305; 4/538, 555,
4/557–558; D24/204–205

See application file for complete search history.

This application is related to U.S. patent application Ser. No. 12/432,543 titled “Accessible Bathtub” and filed on Apr. 29, 2009; and to U.S. Design patent application Ser. No. 29/336,219 titled “Accessible Bathtub” and filed on Apr. 29, 2009; and to U.S. Design patent application Ser. No. 29/336,221 titled “Door Bolster and Handles for Accessible Bathtub” and filed on Apr. 29, 2009; and to U.S. Design patent application Ser. No. 29/336,223 titled “Accessible Bathtub” and filed on Apr. 29, 2009.

(56) **References Cited**

U.S. PATENT DOCUMENTS

D286,679 S	11/1986	D’Innocente et al.	
D318,908 S	8/1991	Reid	
D326,508 S	5/1992	Sauter et al.	
D333,513 S	2/1993	Levien	
5,184,358 A *	2/1993	Gruidel et al.	4/555
D346,648 S	5/1994	Levien	
D355,245 S	2/1995	Sills et al.	
5,446,929 A *	9/1995	Sills et al.	4/557
5,701,614 A	12/1997	Appleford et al.	
D393,056 S	3/1998	Kolada	
D407,147 S	3/1999	Formgren	
D407,148 S	3/1999	Smith et al.	
D421,793 S	3/2000	Svensen	
D468,814 S	1/2003	Thomas et al.	
D511,567 S	11/2005	Beahn	
D524,924 S	7/2006	Lanius	
D536,769 S	2/2007	Lanius	

FIG. 1 is a front perspective view of the claimed bathtub.

FIG. 2 is a rear perspective view.

FIG. 3 is a top plan view.

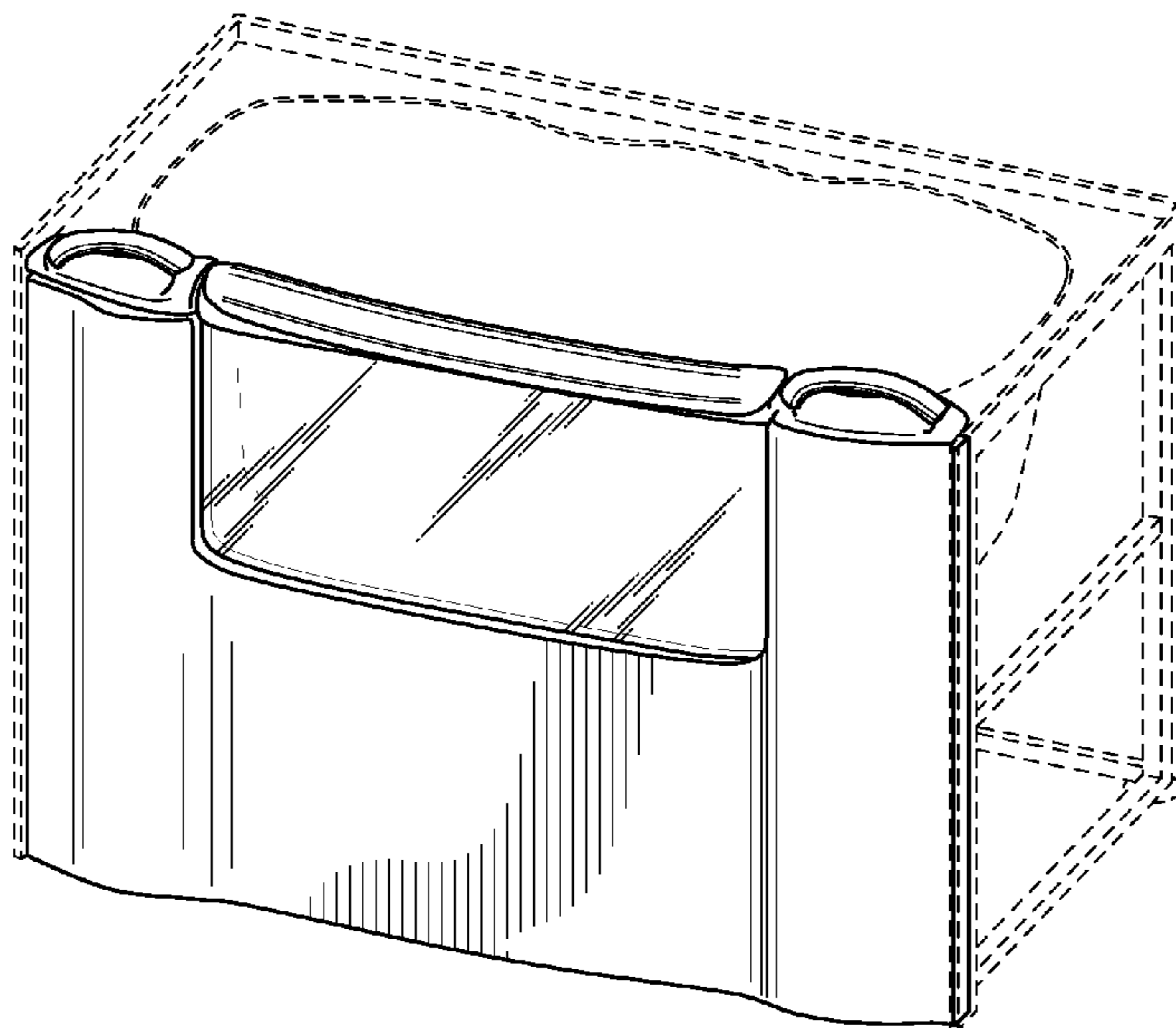
FIG. 4 is a front elevation view.

FIG. 5 is a side cross-sectional elevation at line 5—5 in FIG. 3; and,

FIG. 6 is a rear cross-sectional elevation at line 6—6 in FIG. 3.

The side cross-sectional view at line 5—5 in FIG. 3 to the right would be the mirror image of FIG. 5. The two handles are mirror images of each other. A bottom plan view would be devoid of surface ornamentation.

1 Claim, 3 Drawing Sheets



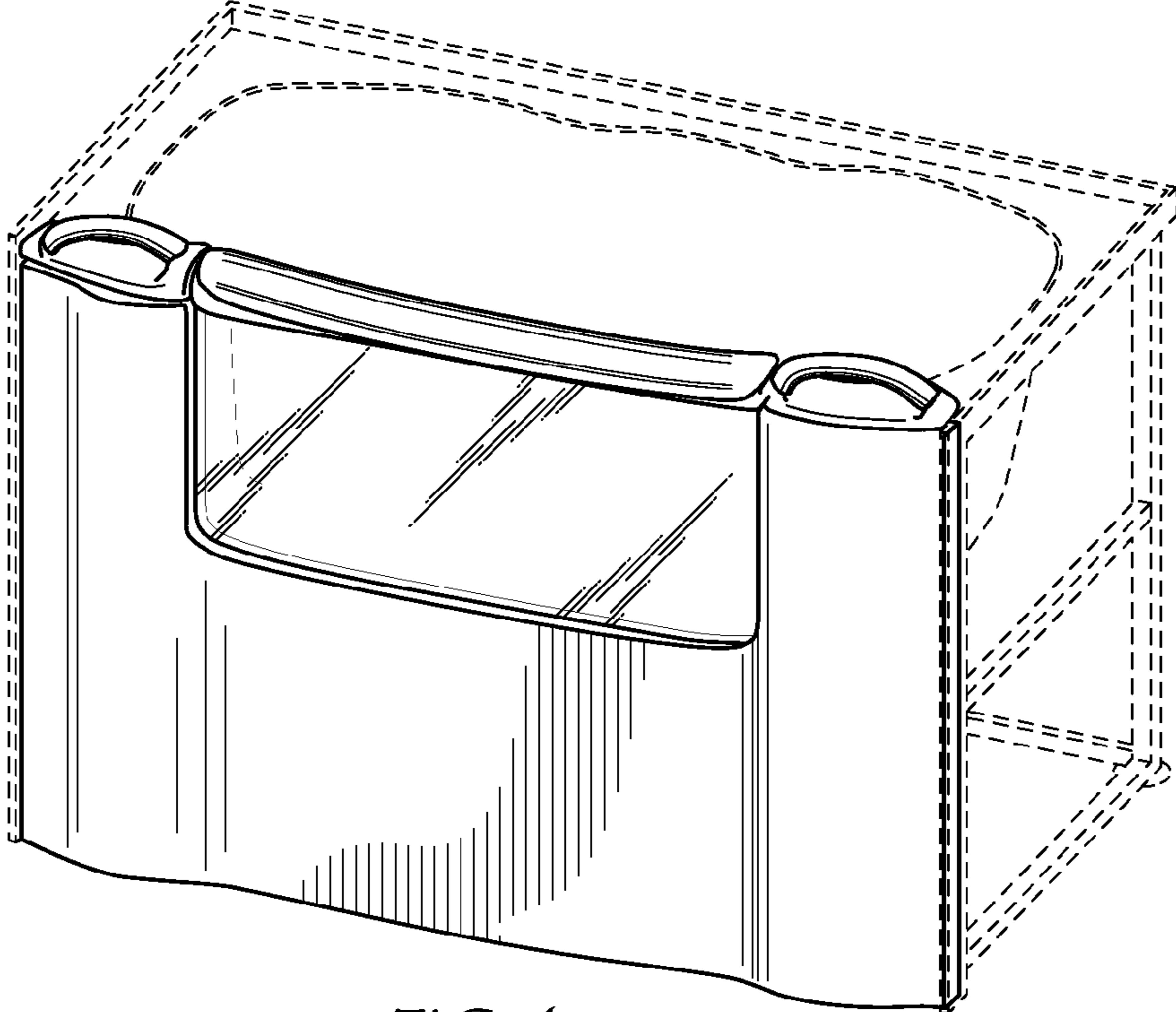


FIG. 1

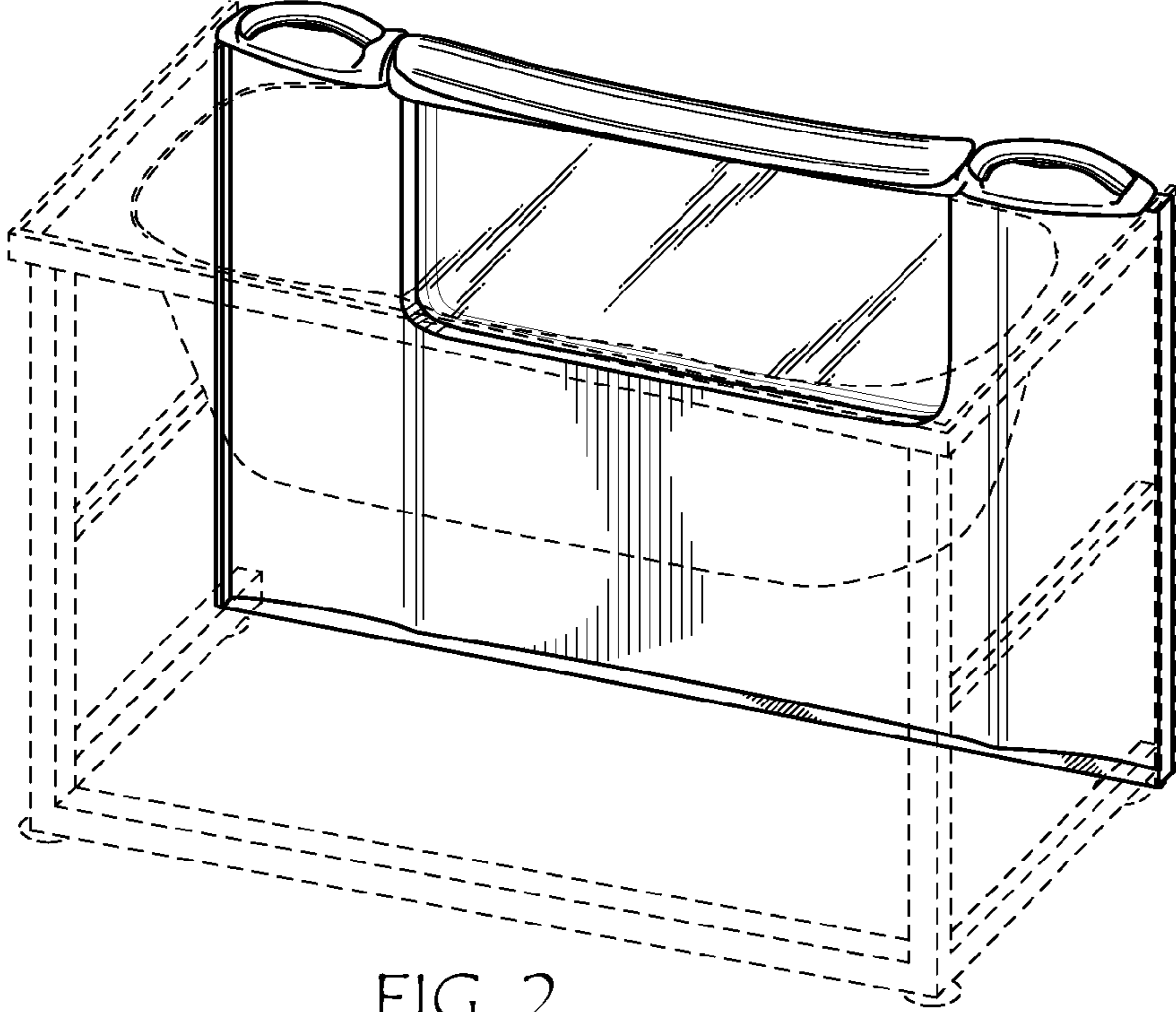


FIG. 2

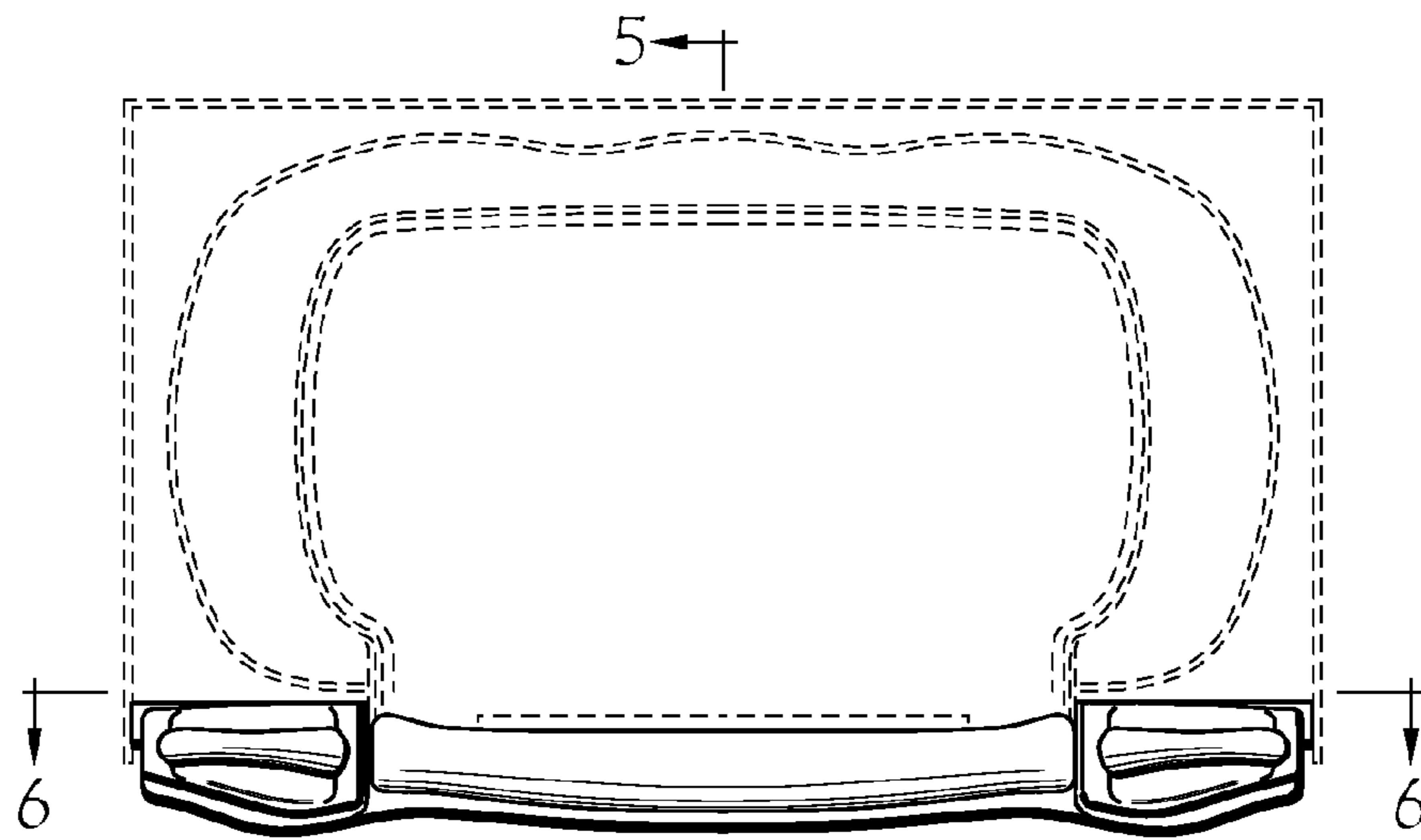


FIG. 3

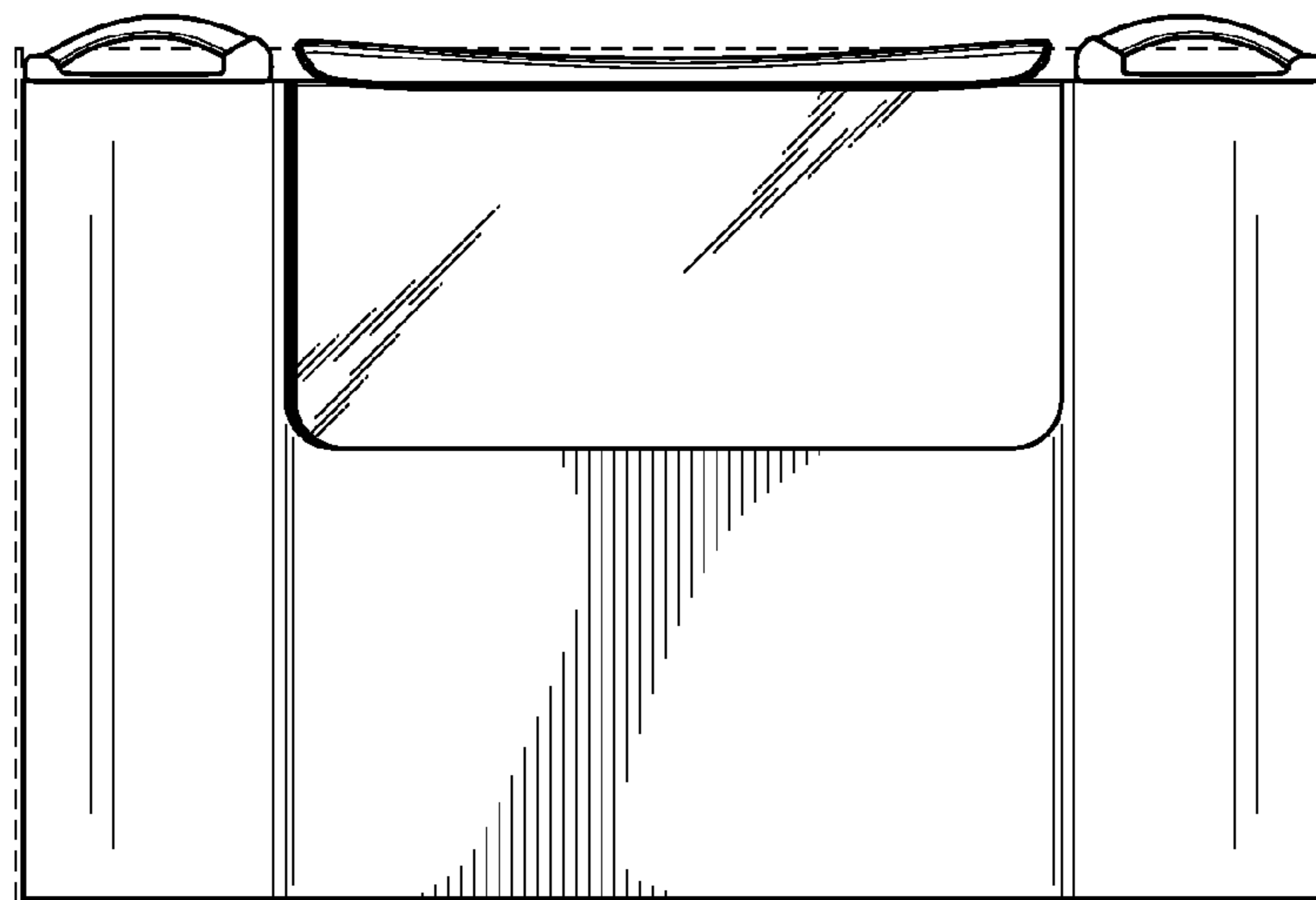


FIG. 4

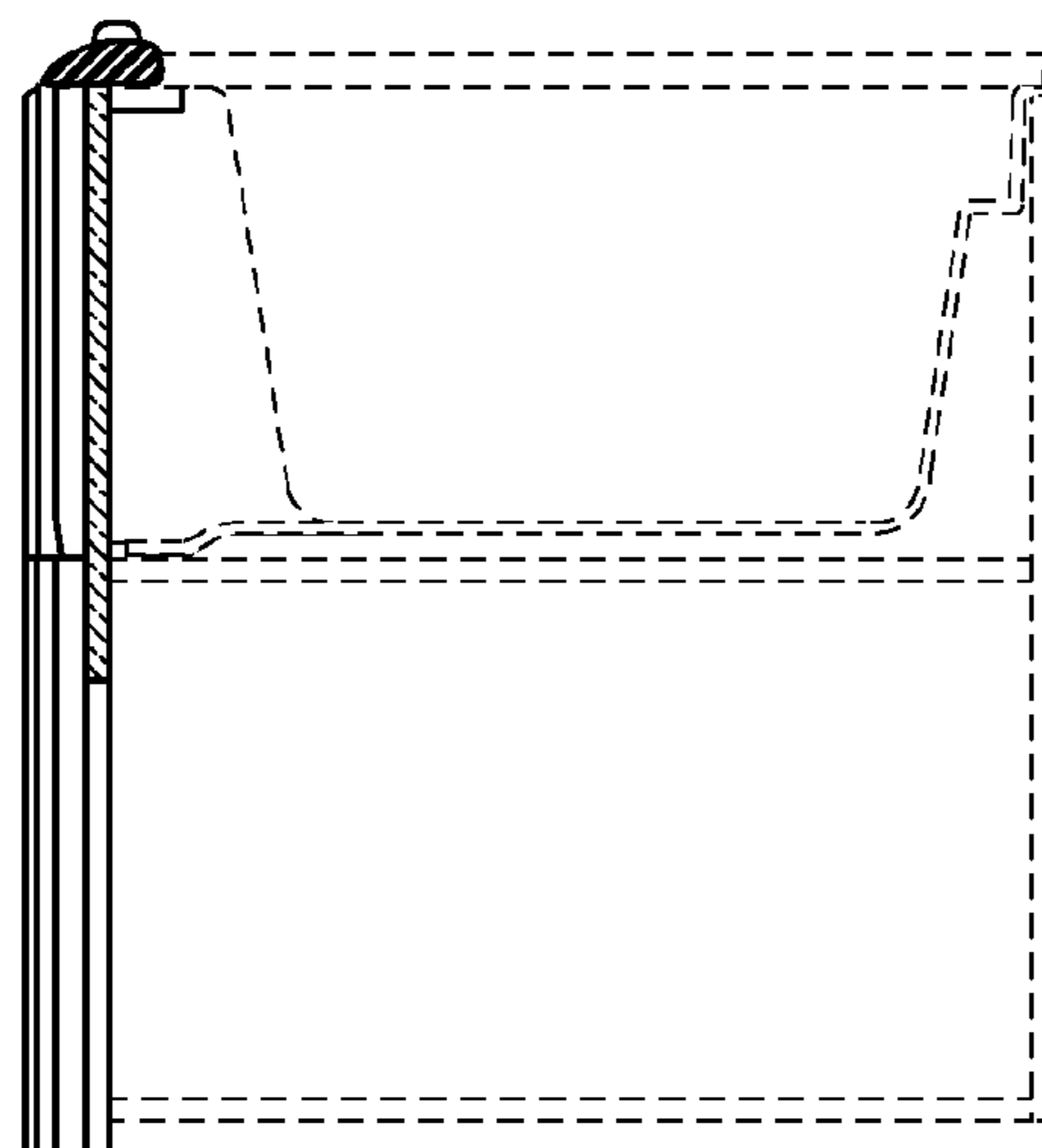


FIG. 5

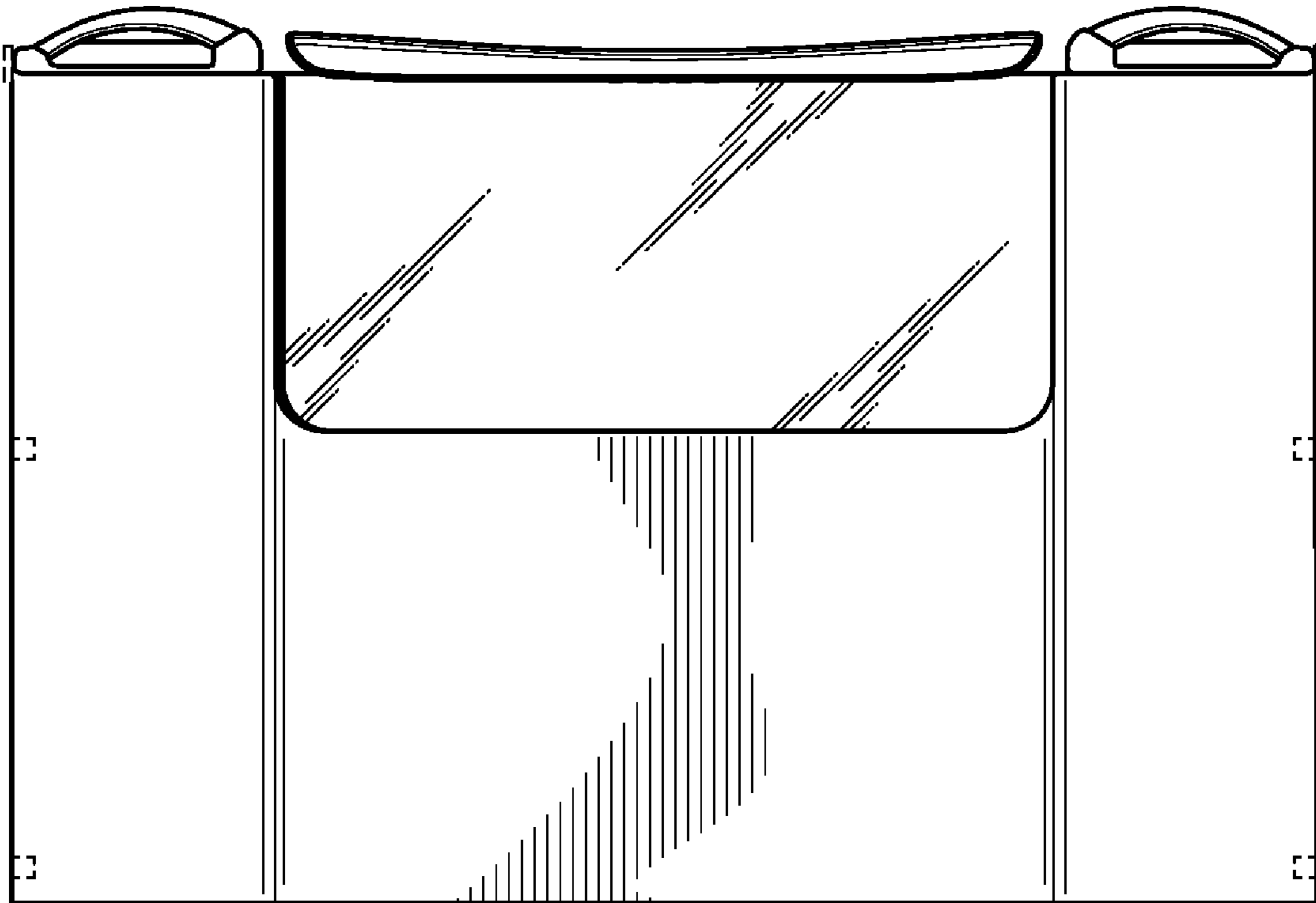


FIG. 6