

US00D611573S

(12) **United States Design Patent**
Gao

(10) **Patent No.:** **US D611,573 S**
(45) **Date of Patent:** **** Mar. 9, 2010**

(54) **HANDLE**
(75) Inventor: **Wu Qin Gao**, Qingdao (CN)
(73) Assignee: **Globe Union Industrial Corp.**,
Taichung (TW)
(**) Term: **14 Years**
(21) Appl. No.: **29/337,535**
(22) Filed: **May 25, 2009**

Primary Examiner—Robert A Delehanty
(74) *Attorney, Agent, or Firm*—Leong C. Lei

(57) **CLAIM**

The ornamental design for a handle, as shown and described.

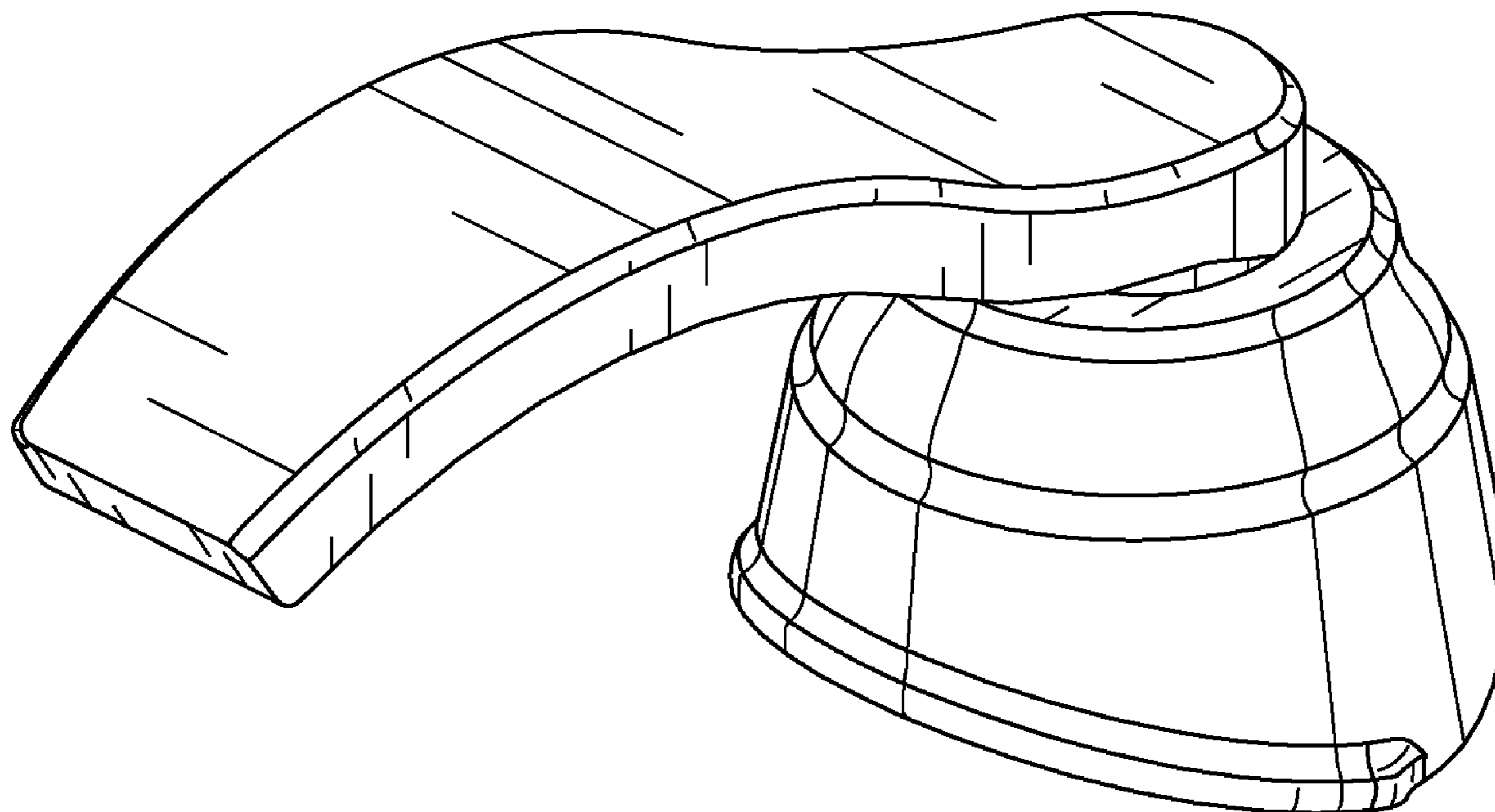
DESCRIPTION

(51) **LOC (9) Cl.** **23-01**
(52) **U.S. Cl.** **D23/250**
(58) **Field of Classification Search** D23/238–243,
D23/250, 252–254; 4/676–678; 137/801,
137/359; 16/110.1; D8/350–353; D6/550
See application file for complete search history.

FIG. 1 is a perspective view of a handle showing my new design;
FIG. 2 is a front elevational view thereof;
FIG. 3 is a rear elevational view thereof;
FIG. 4 is a left side elevational view thereof;
FIG. 5 is a right side elevational view thereof; and,
FIG. 6 is a top plan view thereof.

(56) **References Cited**
U.S. PATENT DOCUMENTS
D399,302 S * 10/1998 Bertoli D23/238
D512,488 S * 12/2005 Kulig D23/252
* cited by examiner

1 Claim, 6 Drawing Sheets



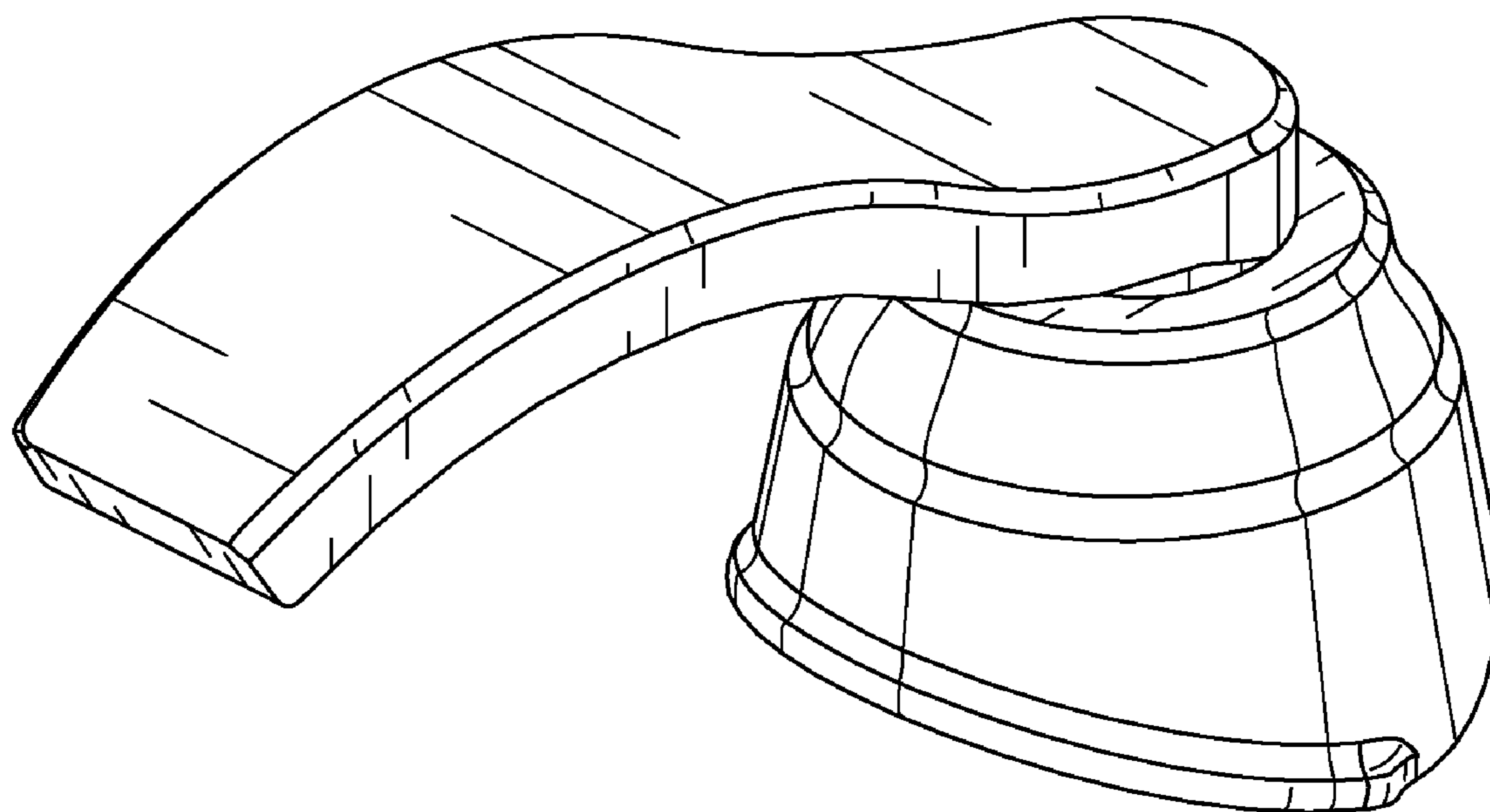


FIG. 1

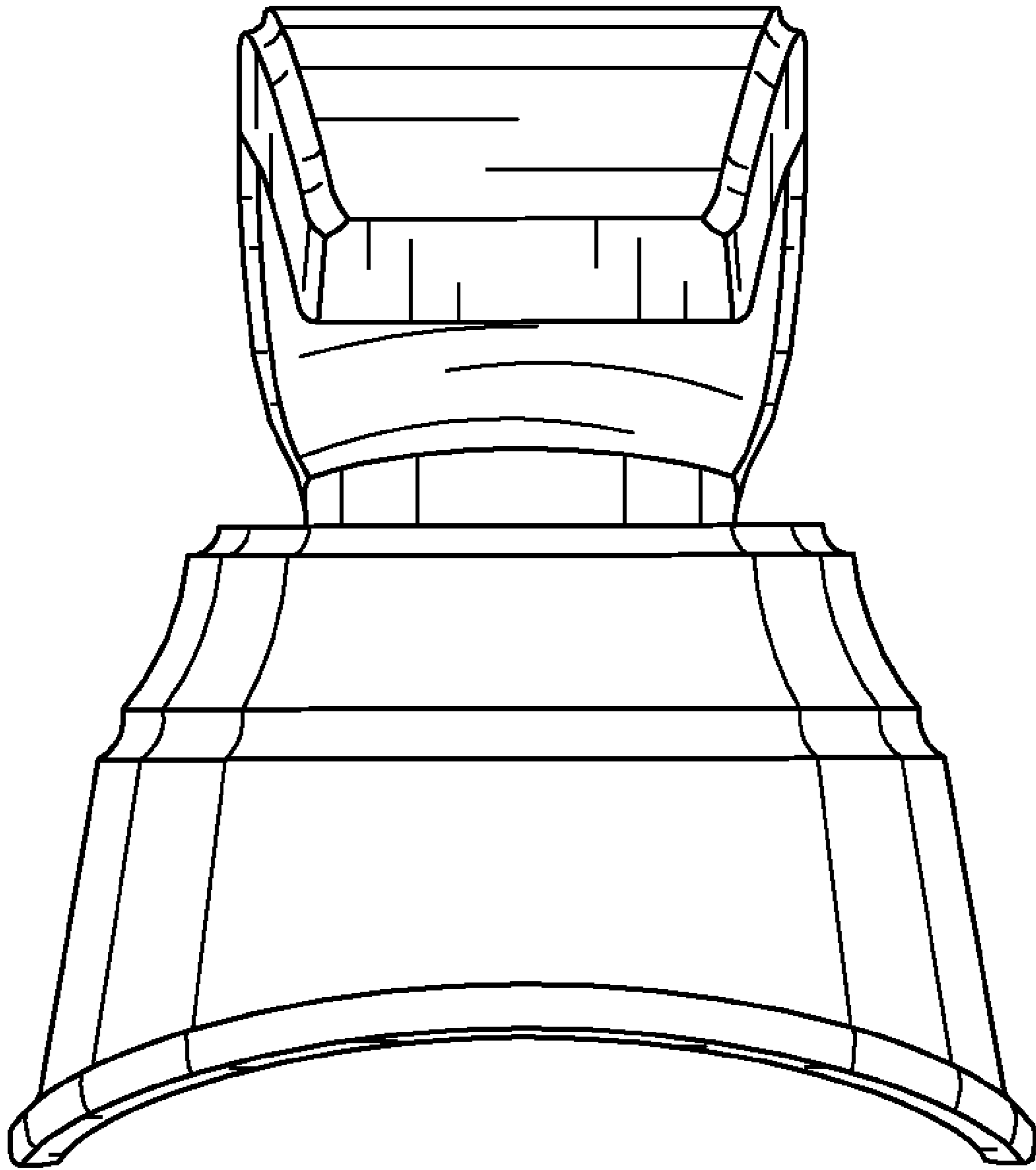


FIG. 2

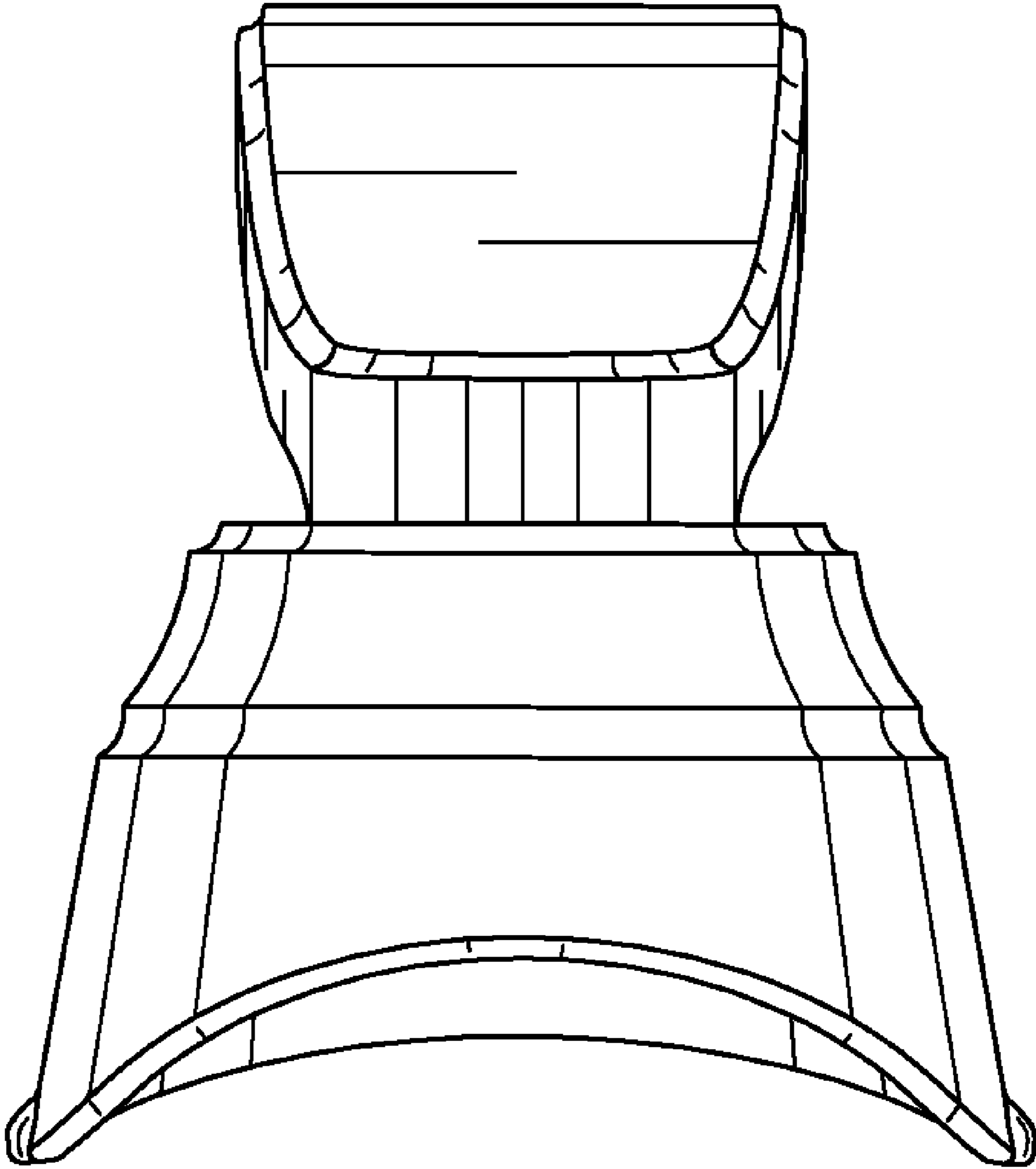


FIG. 3

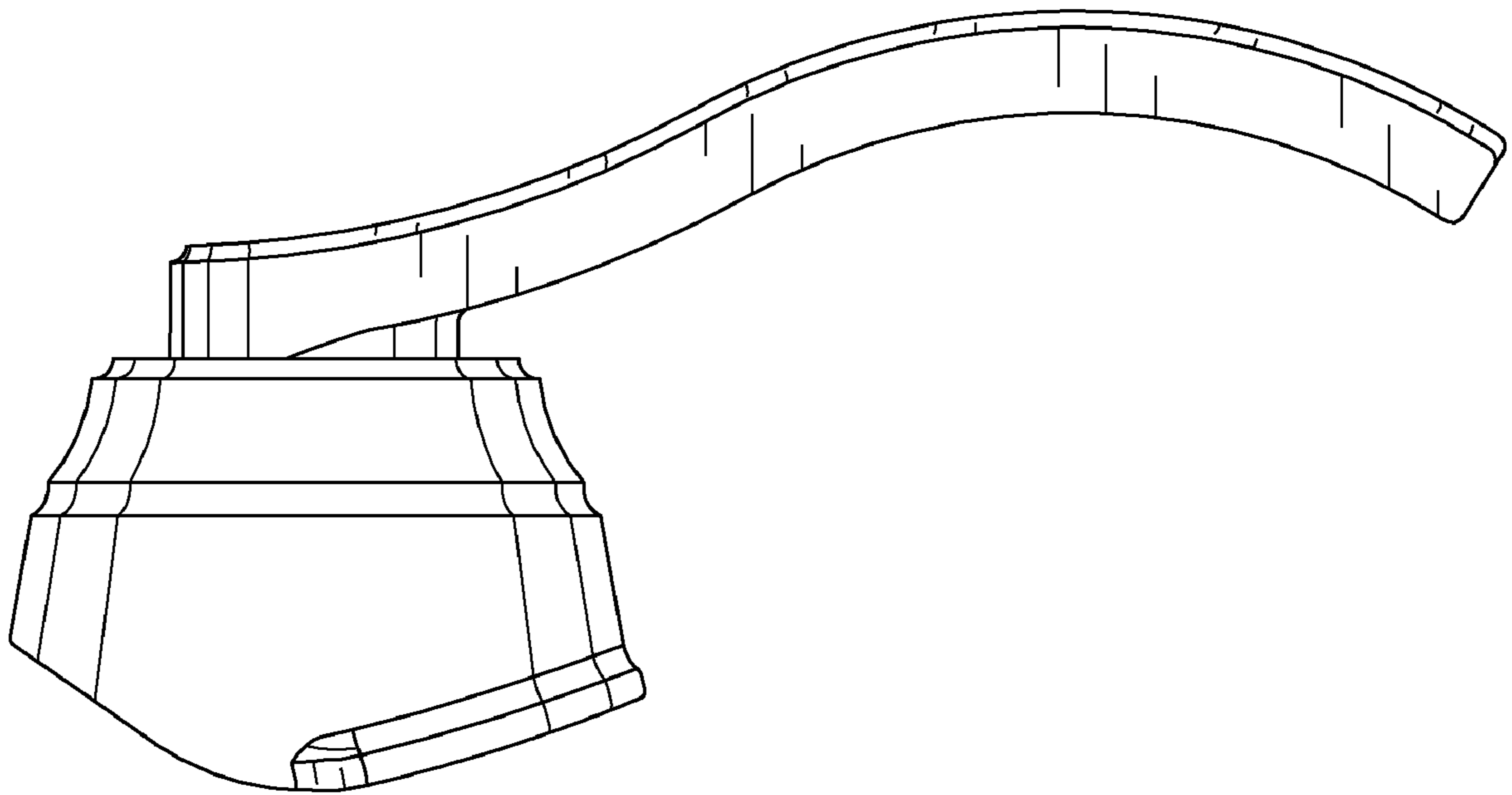


FIG. 4

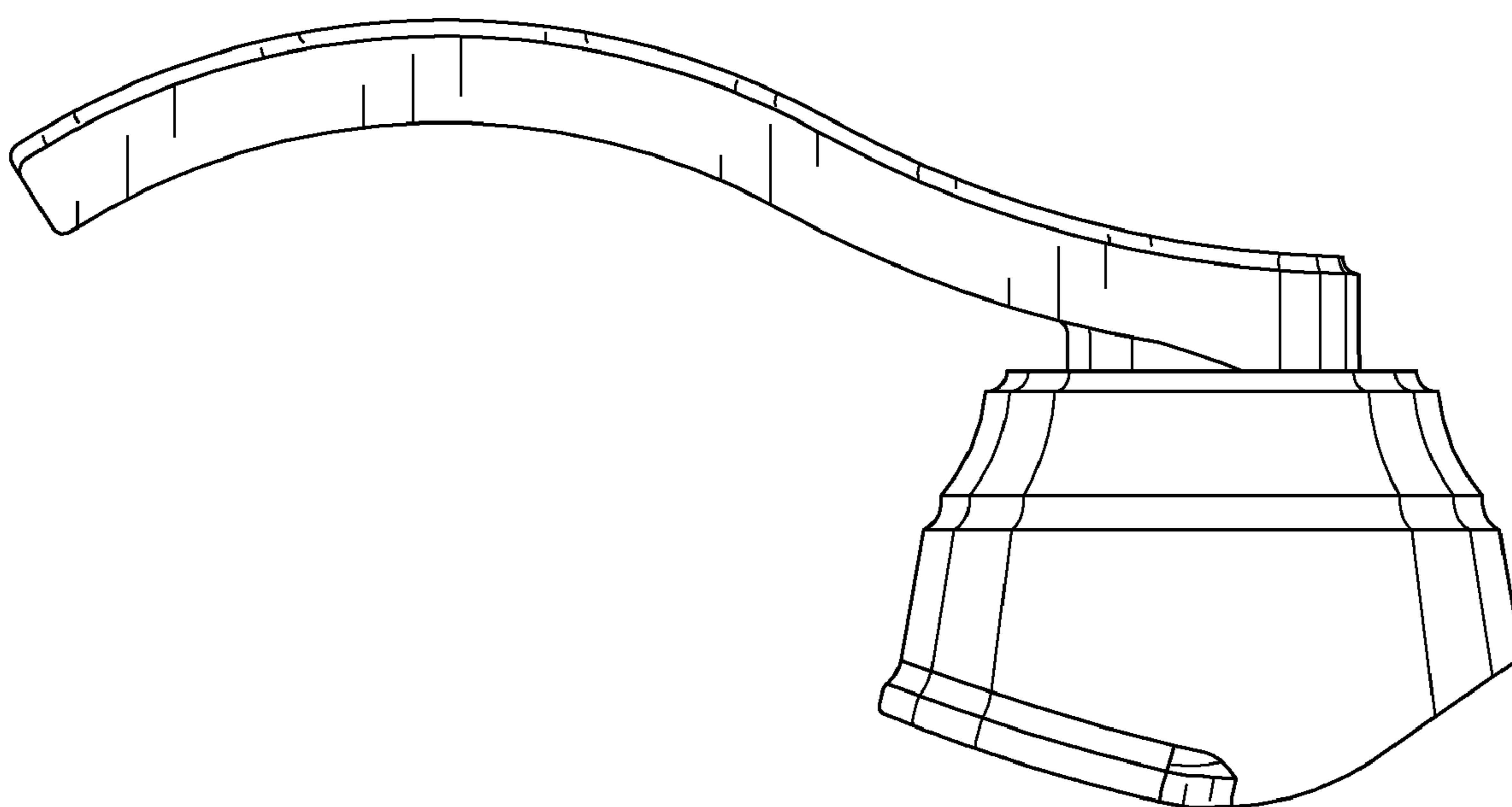


FIG. 5

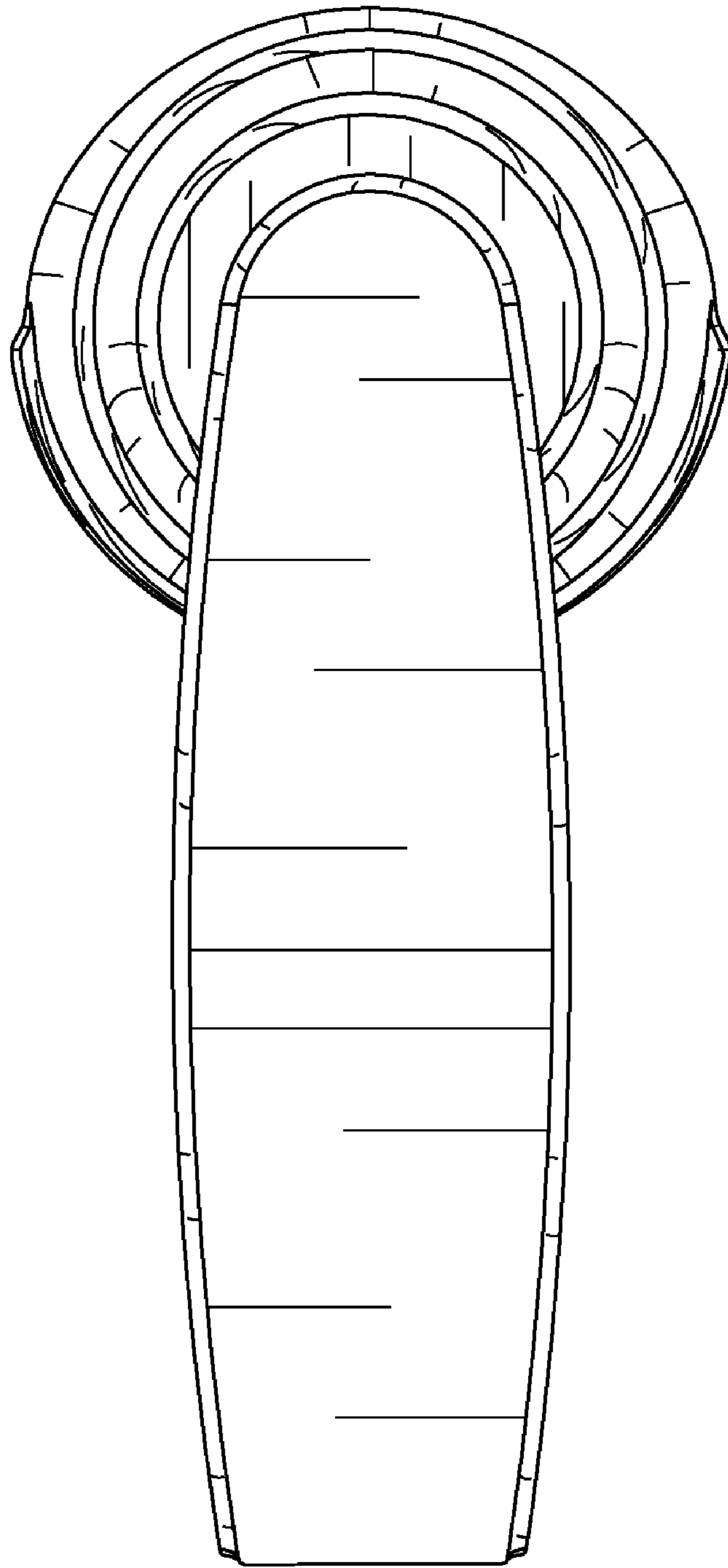


FIG. 6