



US00D611572S

(12) **United States Design Patent**
Gao

(10) **Patent No.:** **US D611,572 S**
(45) **Date of Patent:** **** Mar. 9, 2010**

(54) **HANDLE**

(75) Inventor: **Wu Qin Gao**, Qingdao (CN)

(73) Assignee: **Globe Union Industrial Corp.**,
Taichung (TW)

(**) Term: **14 Years**

(21) Appl. No.: **29/337,534**

(22) Filed: **May 25, 2009**

(51) **LOC (9) Cl.** **23-01**

(52) **U.S. Cl.** **D23/250**

(58) **Field of Classification Search** D23/238–243,
D23/250, 252–254; 4/676–678; 137/801,
137/359; 16/110.1; D8/350–353; D6/550
See application file for complete search history.

(56) **References Cited**

U.S. PATENT DOCUMENTS

D518,670 S * 4/2006 Cheng et al. D6/550

D518,987 S * 4/2006 Lau et al. D6/550
D596,713 S * 7/2009 Haug et al. D23/252
D600,479 S * 9/2009 Gao D6/524

* cited by examiner

Primary Examiner—Robert A Delehanty

(74) *Attorney, Agent, or Firm*—Leong C. Lei

(57) **CLAIM**

The ornamental design for a handle, as shown and described.

DESCRIPTION

FIG. 1 is a perspective view of a handle showing my new design;

FIG. 2 is a right side elevational view thereof;

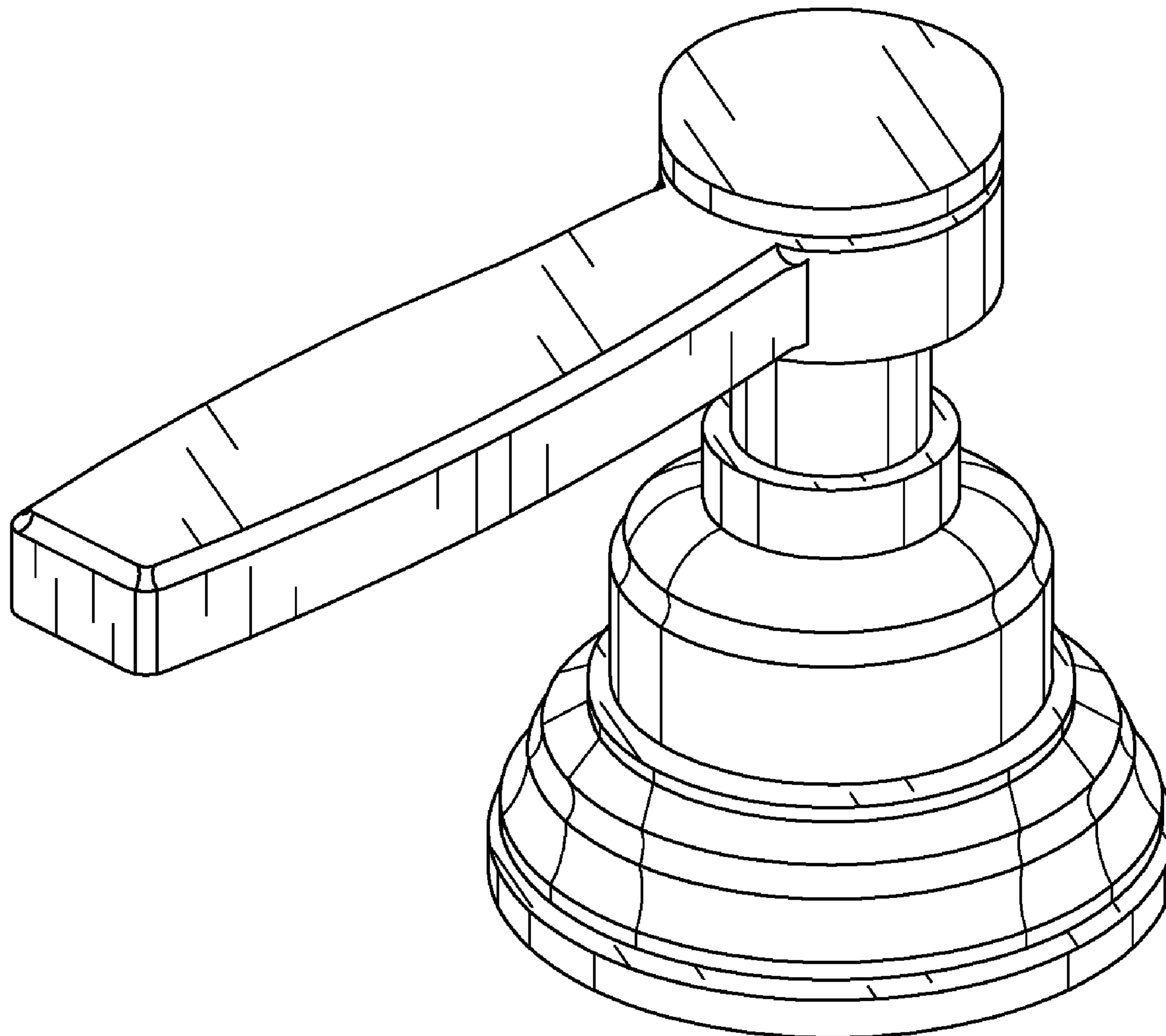
FIG. 3 is a left side elevational view thereof;

FIG. 4 is a front elevational view thereof;

FIG. 5 is a rear elevational view thereof; and,

FIG. 6 is a top plan view thereof.

1 Claim, 6 Drawing Sheets



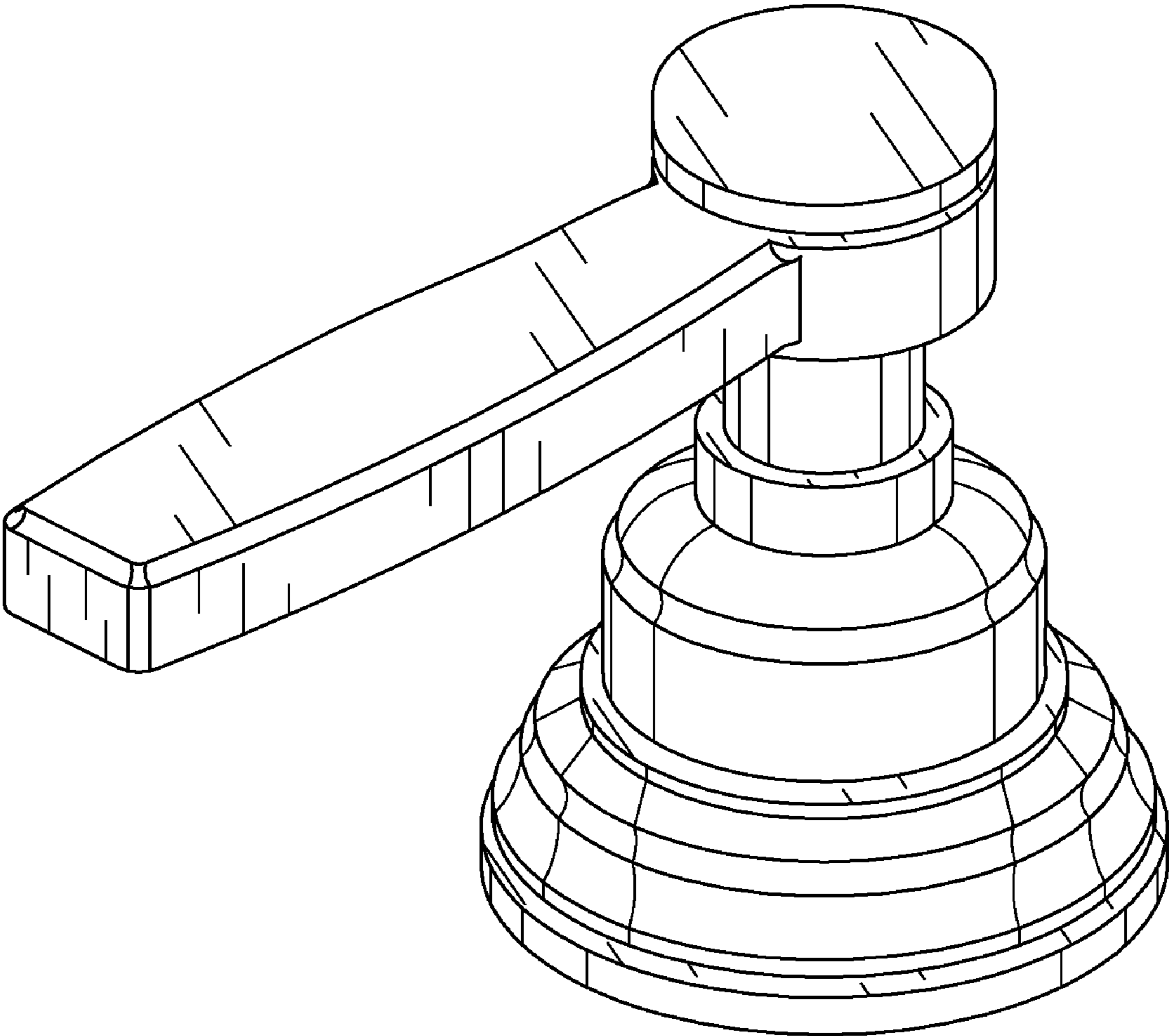


FIG. 1

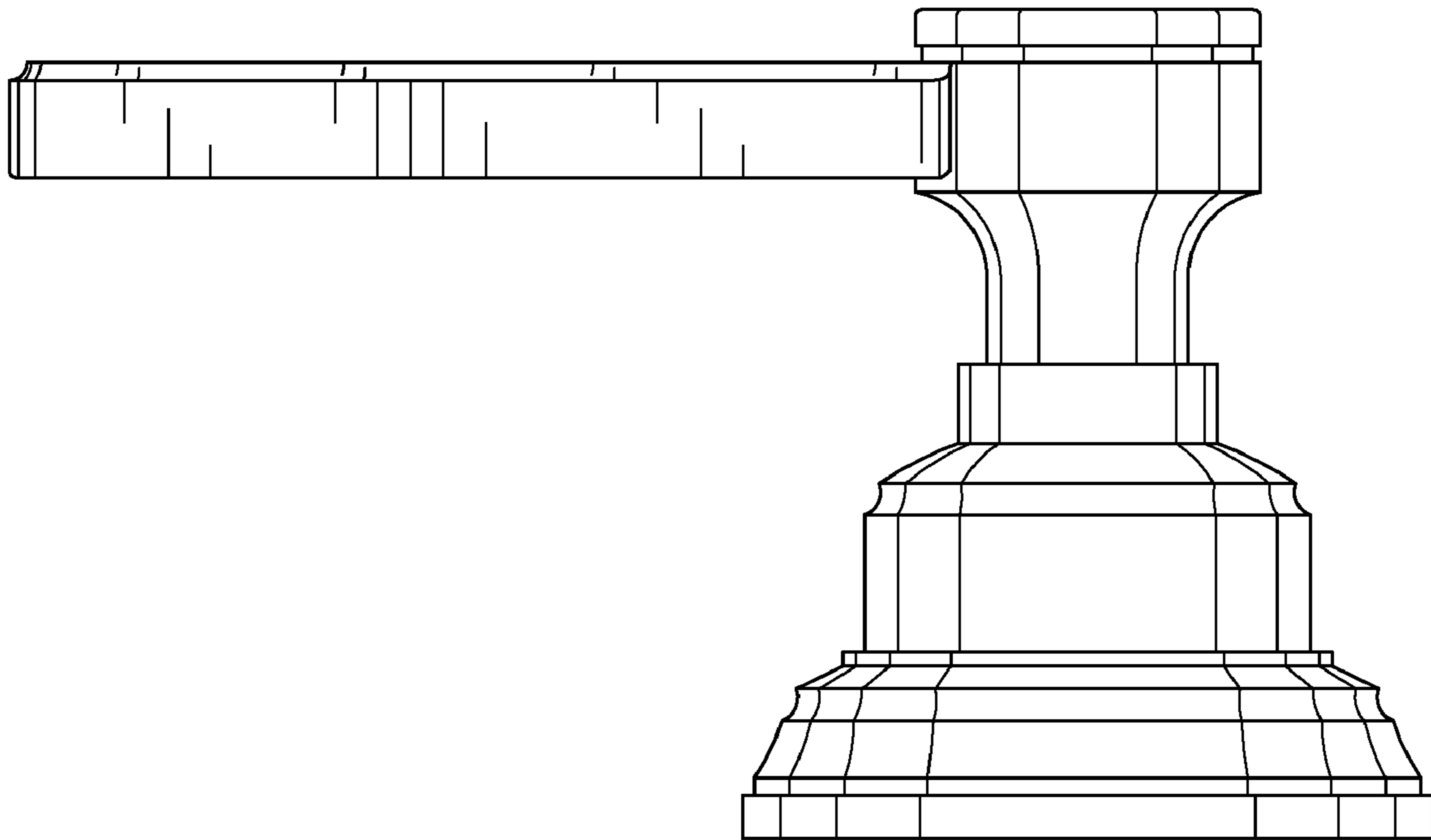


FIG. 2

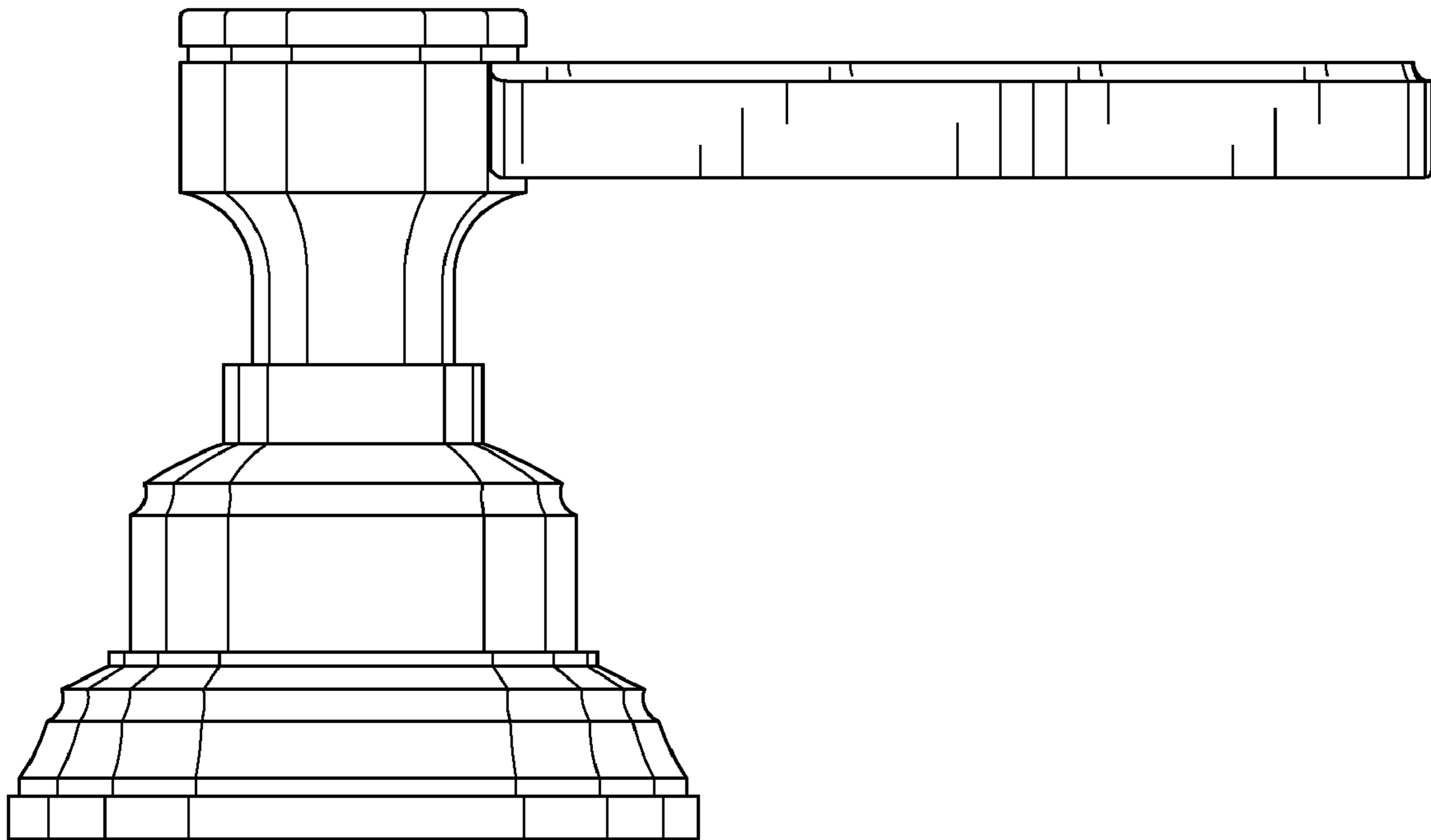


FIG. 3

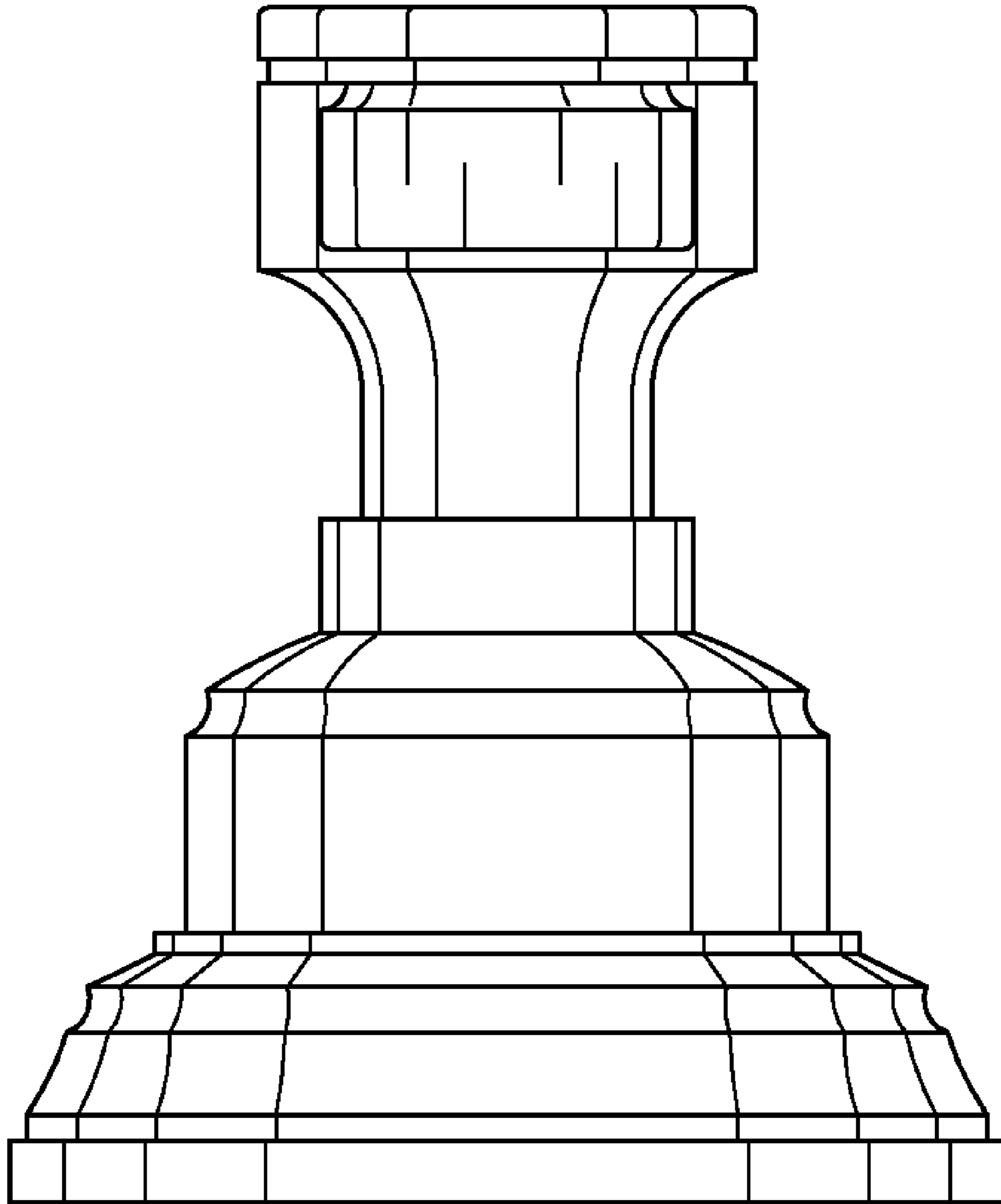


FIG. 4

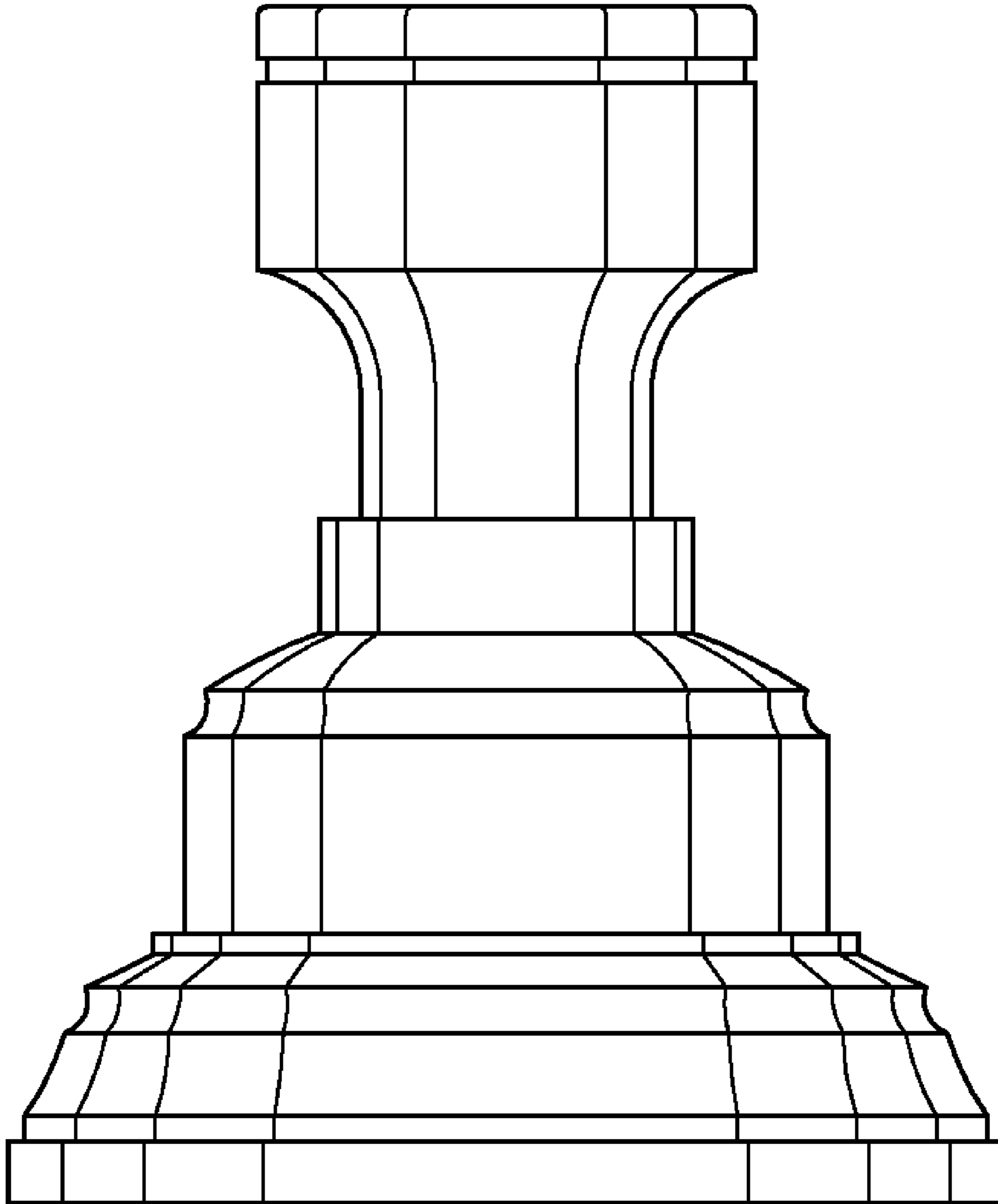


FIG. 5

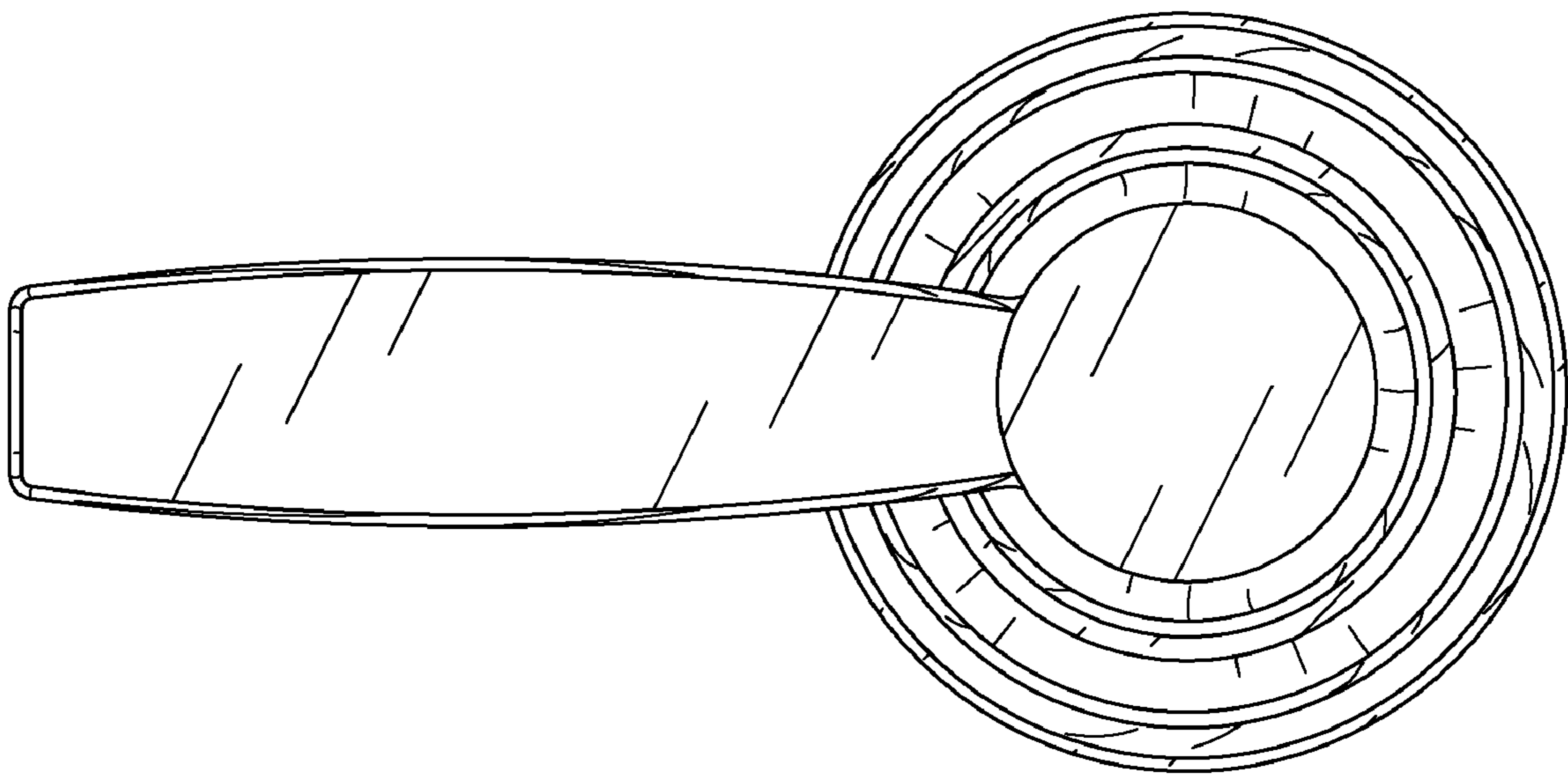


FIG. 6