



US00D611571S

(12) **United States Design Patent**
Marty et al.

(10) **Patent No.:** **US D611,571 S**
(45) **Date of Patent:** **** Mar. 9, 2010**

(54) **WATERWAY**

(75) Inventors: **Garry R. Marty**, Fishers, IN (US);
Steven Kyle Meehan, Fishers, IN (US);
Kyle Robert Davidson, Fishers, IN (US)

(73) Assignee: **Masco Corporation of Indiana**,
Indianapolis, IN (US)

(**) Term: **14 Years**

(21) Appl. No.: **29/329,283**

(22) Filed: **Dec. 11, 2008**

Related U.S. Application Data

(62) Division of application No. 29/292,213, filed on Oct. 3, 2007, now Pat. No. Des. 587,785.

(51) **LOC (9) Cl.** **23-01**
(52) **U.S. Cl.** **D23/249**
(58) **Field of Classification Search** D23/250,
D23/251, 252, 253, 254, 255, 256, 257, 238,
D23/239, 240, 241, 242, 243, 244, 245, 246,
D23/247, 248, 249; 4/675, 676, 677, 678;
D8/300, 307, 308, 310, 311, 312, 321; D6/550;
137/801

See application file for complete search history.

(56) **References Cited**

U.S. PATENT DOCUMENTS

3,965,936 A 6/1976 Lyon
4,397,330 A 8/1983 Hayman
4,754,993 A 7/1988 Kraynick
5,100,565 A 3/1992 Fujiwara et al.
5,219,185 A 6/1993 Oddenino
5,437,345 A 8/1995 Schmidt et al.
5,582,438 A 12/1996 Wilkins et al.
5,669,595 A 9/1997 Bytheway
5,960,490 A 10/1999 Pitch
5,979,489 A 11/1999 Pitch
6,023,796 A 2/2000 Pitch
6,062,251 A 5/2000 Pitch
6,079,447 A 6/2000 Holzheimer et al.

6,161,230 A 12/2000 Pitsch
6,170,098 B1 1/2001 Pitsch
6,286,808 B1 9/2001 Slothower et al.
6,609,732 B1 8/2003 Souvatzidis et al.

(Continued)

Primary Examiner—T. Chase Nelson
Assistant Examiner—Michael A Pratt
(74) *Attorney, Agent, or Firm*—Baker & Daniels LLP

(57) **CLAIM**

The ornamental design for the waterway, as shown and described.

DESCRIPTION

FIG. 1 is an upper perspective view of a waterway of the present design application, with portions of the waterway shown in broken lines, and with break lines representing an unspecified length;

FIG. 2 is a lower perspective view the waterway of FIG. 1;

FIG. 3 is a front elevational view of the waterway of FIG. 1;

FIG. 4 is a rear elevational view of the waterway of FIG. 1;

FIG. 5 is a left side elevational view of the waterway of FIG. 1;

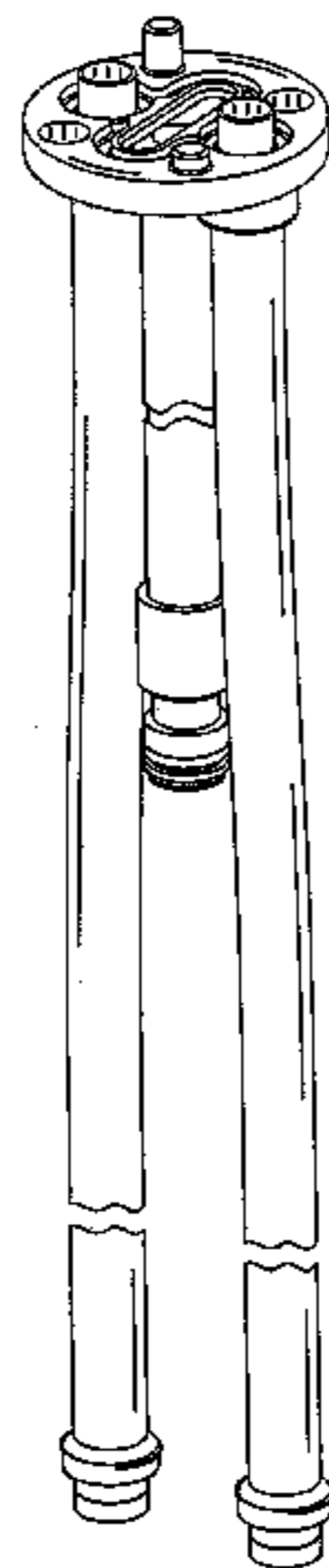
FIG. 6 is a right side elevational view of the waterway of FIG. 1;

FIG. 7 is a top plan view of the waterway of FIG. 1; and,

FIG. 8 is a bottom plan view of the waterway of FIG. 1.

The broken lines in FIGS. 1–8 are for illustrative purposes only and form no part of the claimed design.

1 Claim, 4 Drawing Sheets



US D611,571 S

Page 2

| U.S. PATENT DOCUMENTS | | | |
|-----------------------|----|----------|---------------------------|
| 6,640,357 | B1 | 11/2003 | Chang |
| 7,063,105 | B1 | 6/2006 | Chen |
| D574,402 | S | 8/2008 | Thomas et al. |
| D587,785 | S | * 3/2009 | Marty et al. D23/249 |
| 2002/0100510 | A1 | 8/2002 | Otelli |
| 2003/0183286 | A1 | 10/2003 | Yang |
| 2006/0010596 | A1 | 1/2006 | Hsieh |
| 2006/0117477 | A1 | 6/2006 | Rosko |
| 2006/0174955 | A1 | 8/2006 | Huang |
| 2007/0044852 | A1 | 3/2007 | Pinette |

* cited by examiner

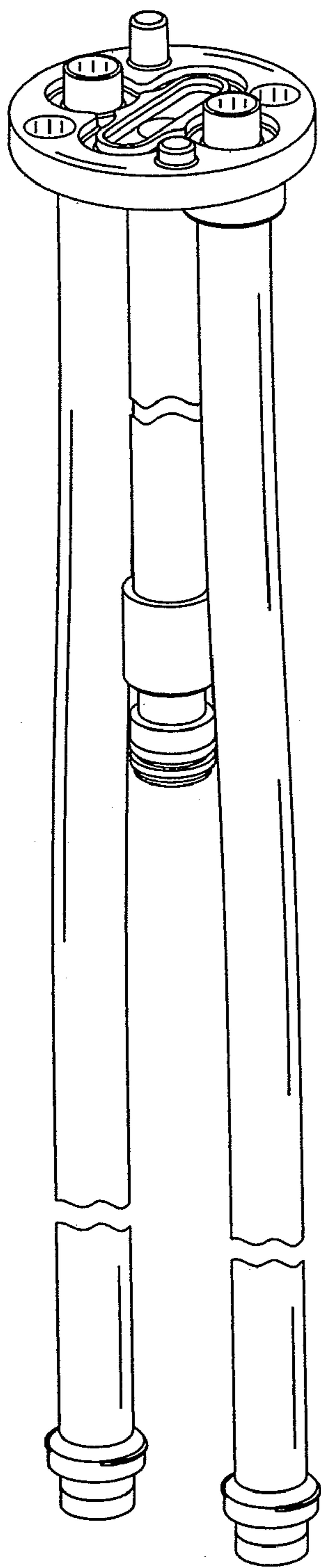


FIG. 1

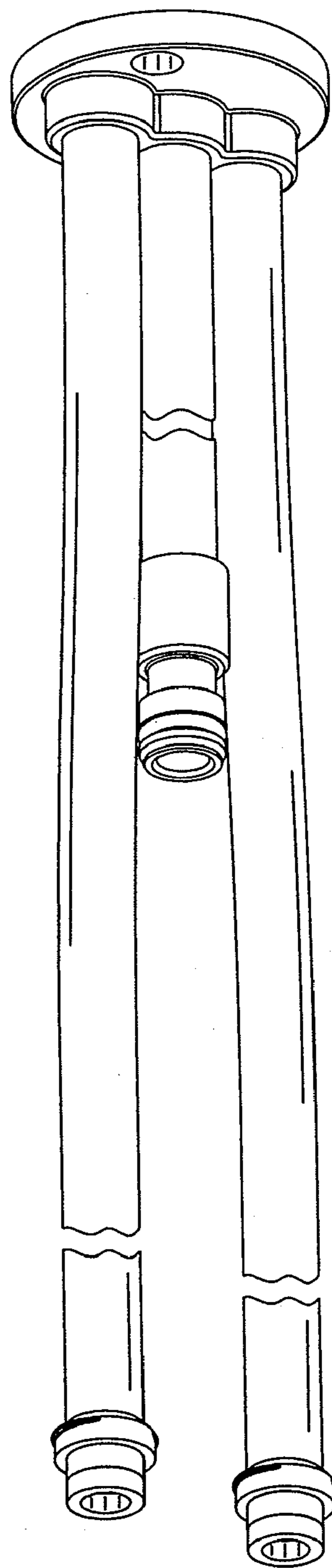


FIG. 2

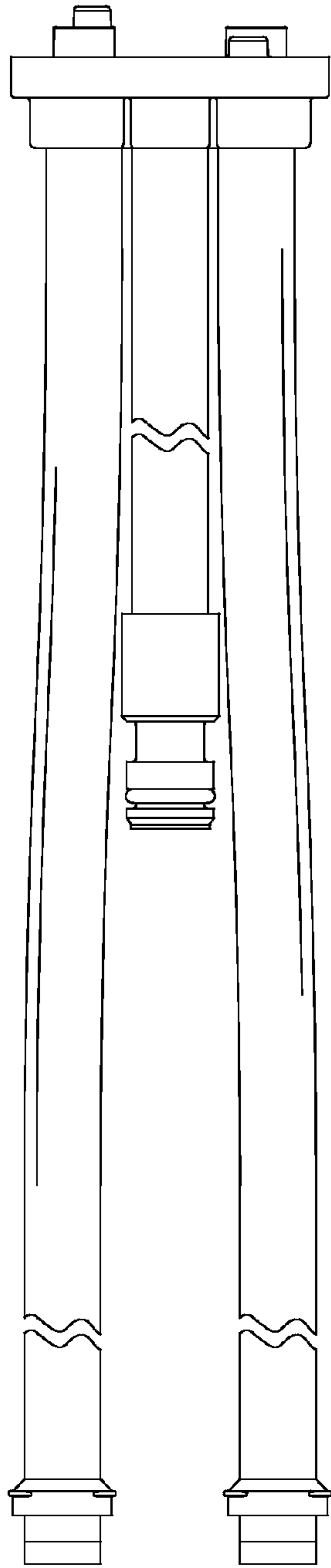


FIG. 3

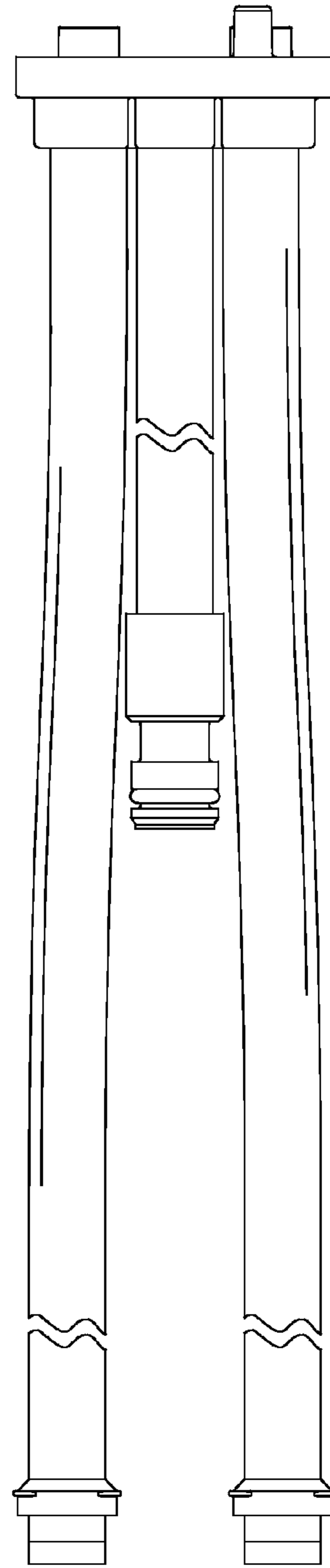


FIG. 4

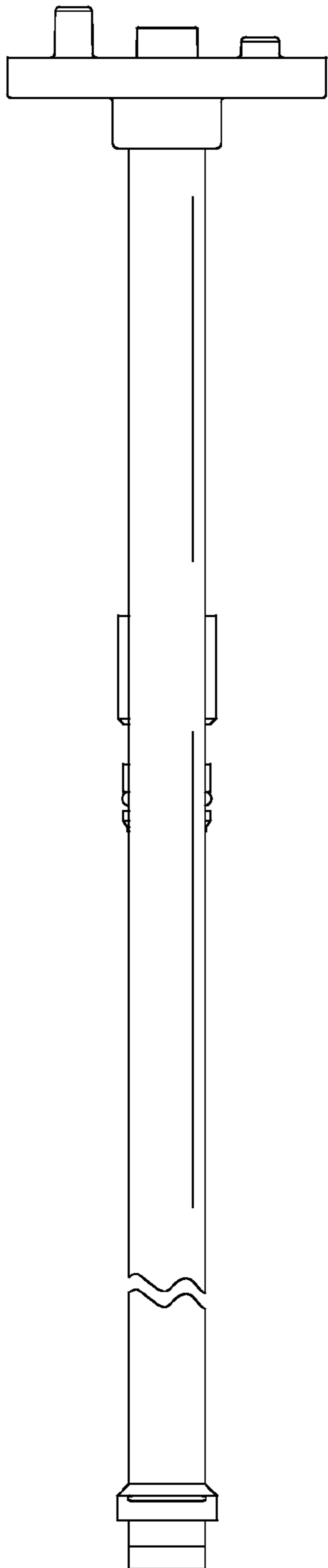


FIG. 5

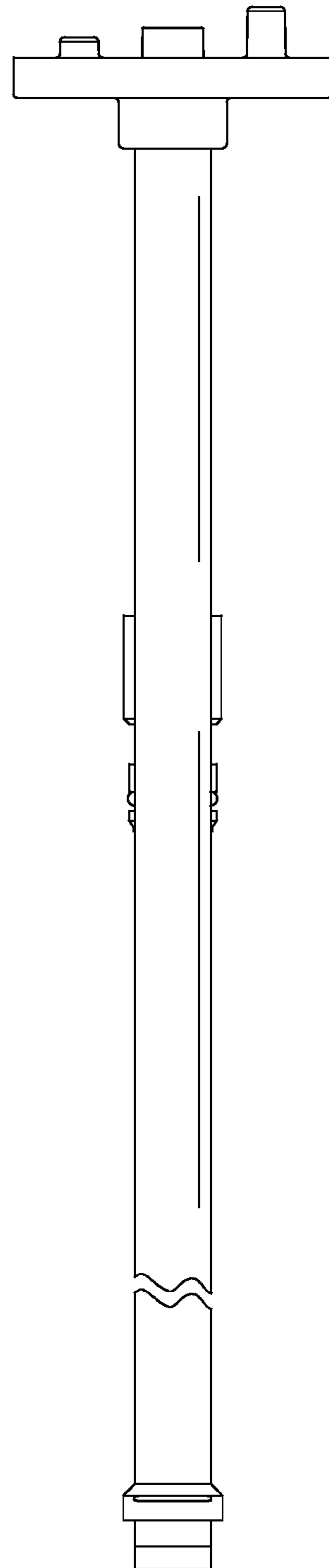


FIG. 6

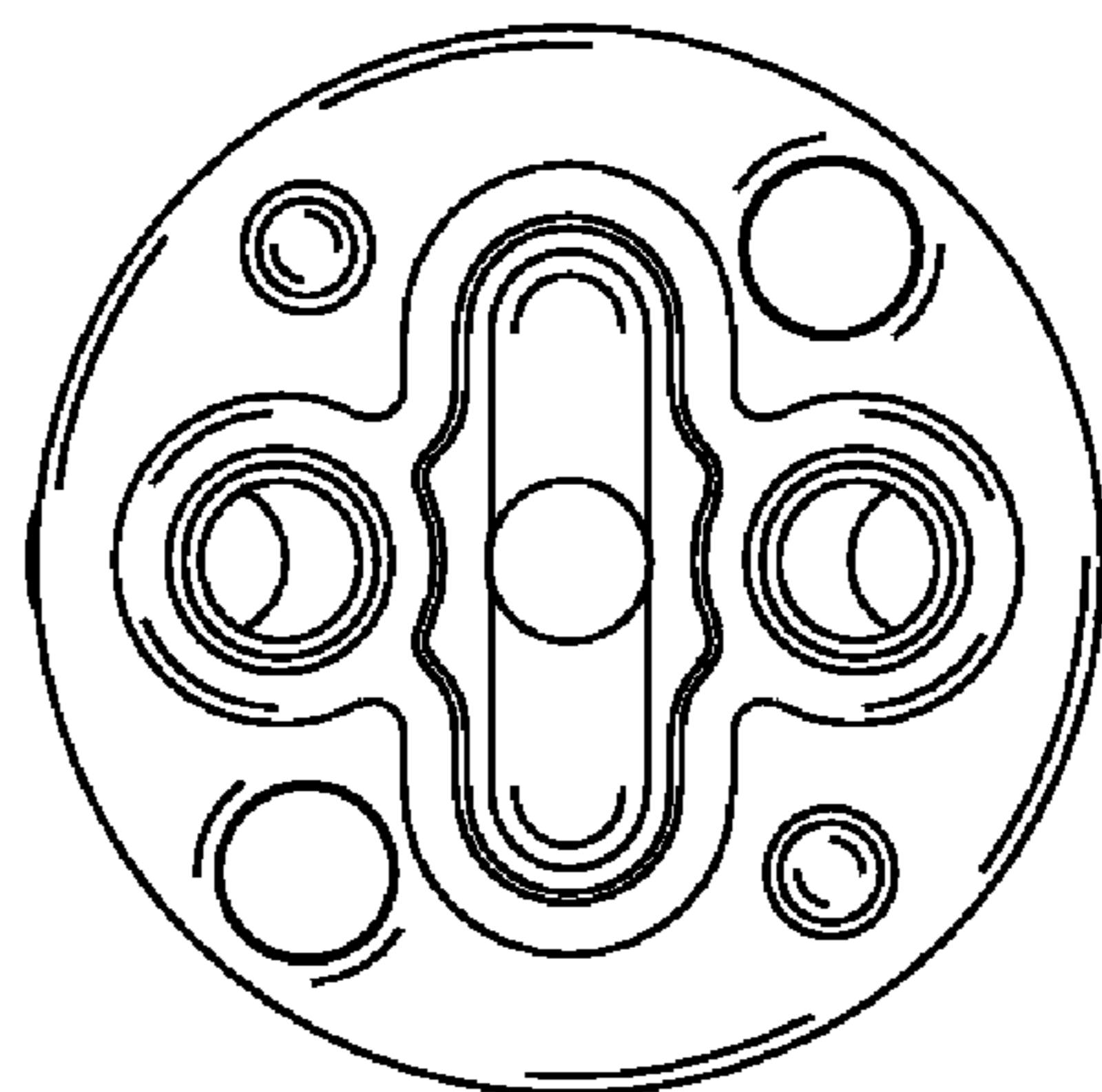


FIG. 7

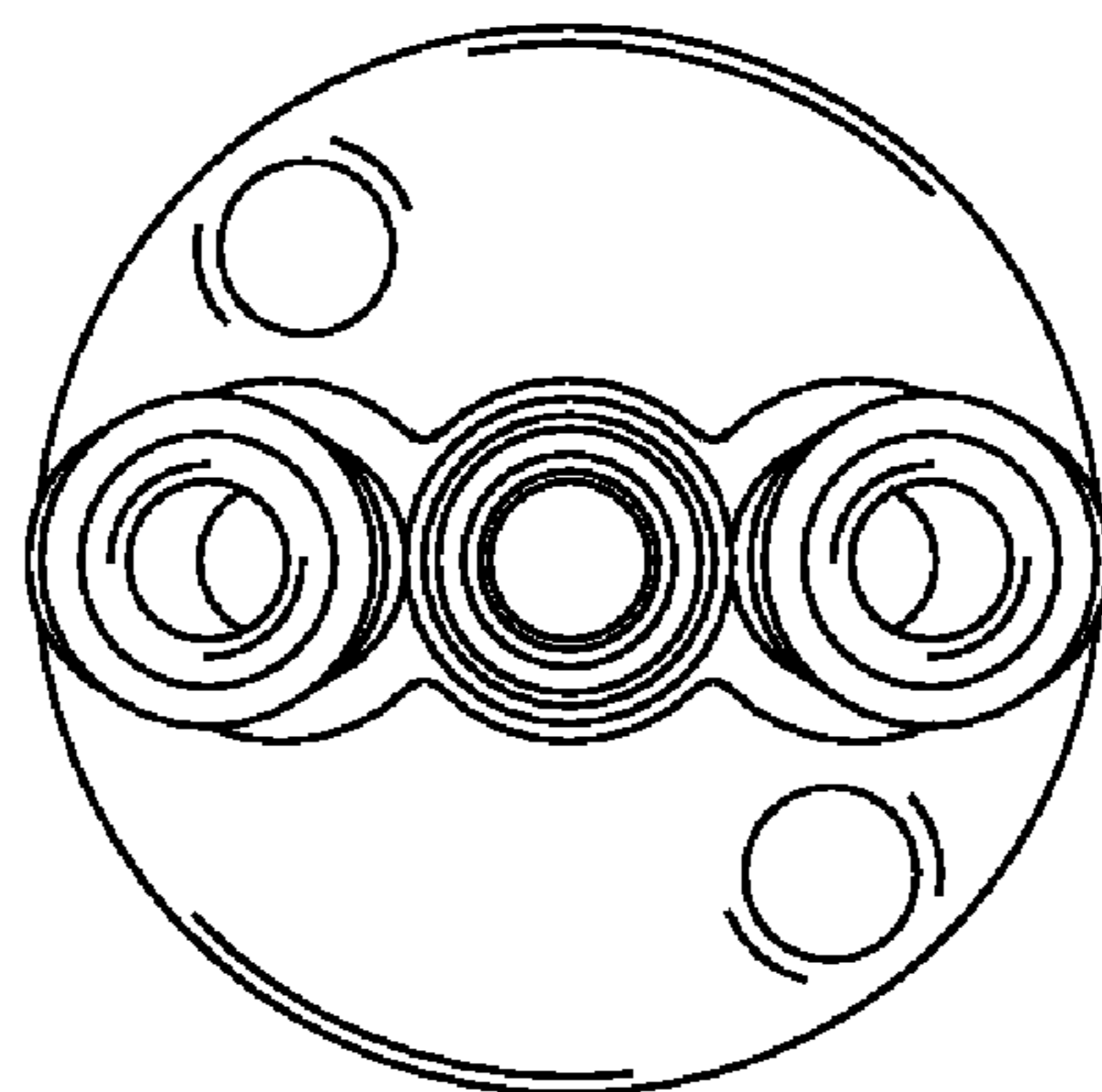


FIG. 8