



US00D611570S

(12) **United States Design Patent**
Yang

(10) **Patent No.:** **US D611,570 S**
(45) **Date of Patent:** **** *Mar. 9, 2010**

(54) **PROTECTION DEVICE FOR A
FIRE-FIGHTING INSTRUMENT**

Product 2 Sprinkler Cover (photographs); 6 pages, Product marked
"US Patent No. 6669111", p. 4 of 6, Dec. 2003.

(75) Inventor: **Su Yang**, Providence, RI (US)

(Continued)

(73) Assignee: **Tyco Fire Products LP**, Lansdale, PA
(US)

Primary Examiner—Robin V Webster

(74) *Attorney, Agent, or Firm*—Perkins Coie LLP

(*) Notice: This patent is subject to a terminal dis-
claimer.

(57) **CLAIM**

An ornamental design for a protection device for a fire-fight-
ing instrument, as shown and described.

(**) Term: **14 Years**

(21) Appl. No.: **29/280,987**

DESCRIPTION

(22) Filed: **Jun. 12, 2007**

Related U.S. Application Data

(63) Continuation of application No. 11/761,779, filed on
Jun. 12, 2007.

FIG. 1 is a perspective view of a protection device disposed
about a fire-fighting instrument embodied as a sprinkler.

FIG. 2 is a perspective view of the protection device of FIG.
1.

(51) **LOC (9) Cl.** **23-01**

FIG. 3 is another perspective view of the protection device of
FIG. 2.

(52) **U.S. Cl.** **D23/214; D8/396; D23/227**

(58) **Field of Classification Search** **D23/213,**
D23/214; D8/354, 394, 396; 239/288–288.5;
169/37, 38, 39, 51

FIG. 4 is a plan view of a one side of the protection device of
FIG. 2.

See application file for complete search history.

FIG. 5 is a plan view of another side of the protection device
in FIG. 2 and opposite the side shown in FIG. 4.

(56) **References Cited**

FIG. 6 is an end view of the protection device of FIG. 2.

U.S. PATENT DOCUMENTS

FIG. 7 is another end view of the protection device of FIG. 2
and opposite the end

3,454,097 A * 7/1969 Groos 169/38

FIG. 8 is a plan view of the top of the protection device of FIG.
2.

5,893,418 A * 4/1999 Ponte 169/37

6,669,111 B2 12/2003 Vinson et al.

FIG. 9 is a plan view of the bottom of the protection device of
FIG. 2; and,

D498,818 S 11/2004 Ide et al.

7,273,189 B2 * 9/2007 Ide et al. 239/288

FIG. 10 is another perspective view shown in open position.

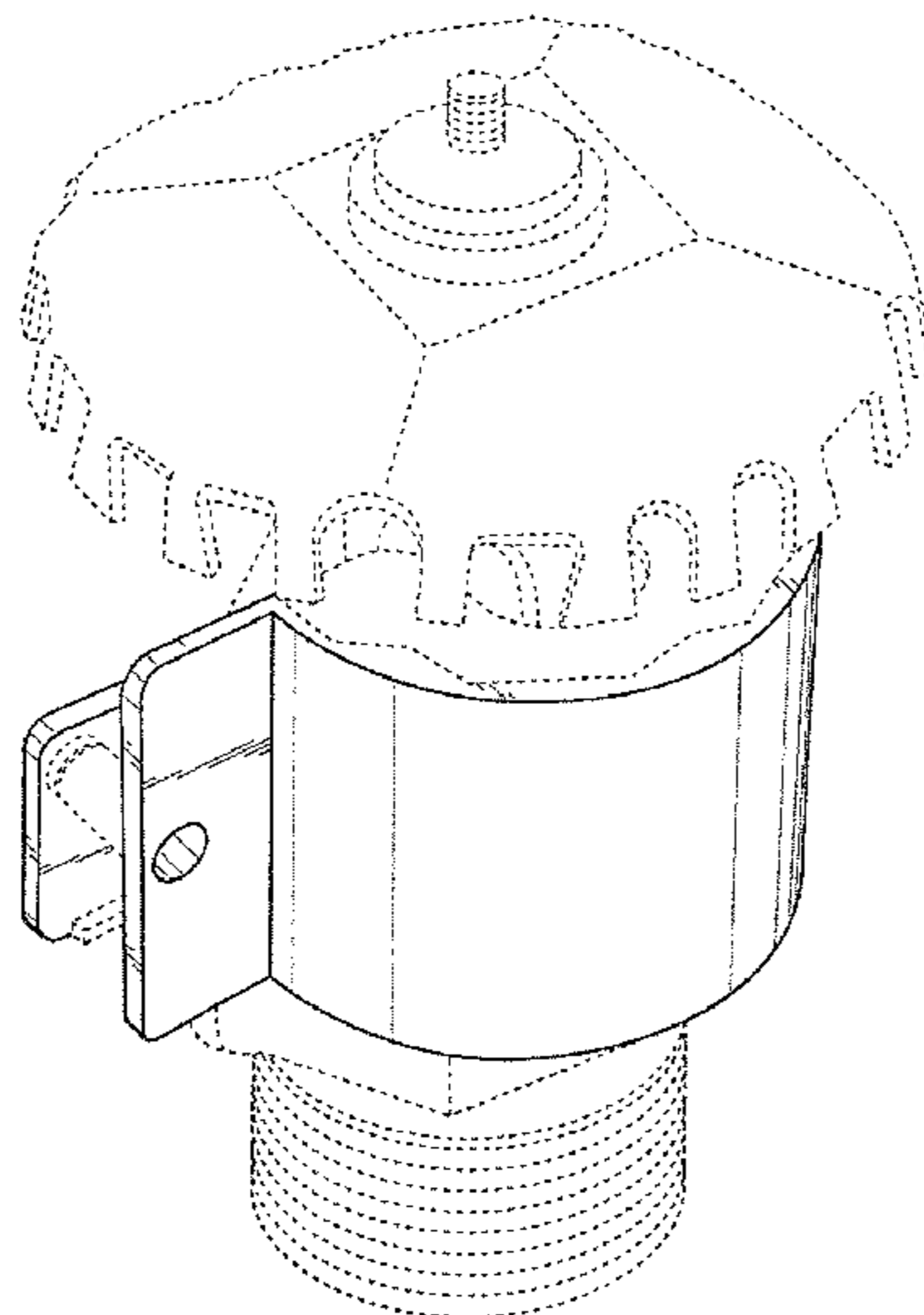
7,540,330 B2 * 6/2009 Orr et al. 169/37

The broken lines are for the purpose of illustrating unclaimed
portions of the protection device and the surrounding envi-
ronmental structure and forms no part of the claimed design.

OTHER PUBLICATIONS

U.S. Appl. No. 11/761,779, Jun. 12, 2007, Su Yang.
Product 1 Sprinkler Cover (photographs); 3 pages, Product marked
Patent Pend., pp. 2 and 3 of 3.

1 Claim, 7 Drawing Sheets



US D611,570 S

Page 2

OTHER PUBLICATIONS

Product 3 Sprinkler Cover (photographs); 6 page, Product marked
“US Patent No. 6669111”, p. 4 of 6, Dec. 2003.

Product 4 Sprinkler Cover (photographs); 5 page, Product marked
“US Patent No. 6669111”, p. 3 of 5, Dec. 2003.

* cited by examiner

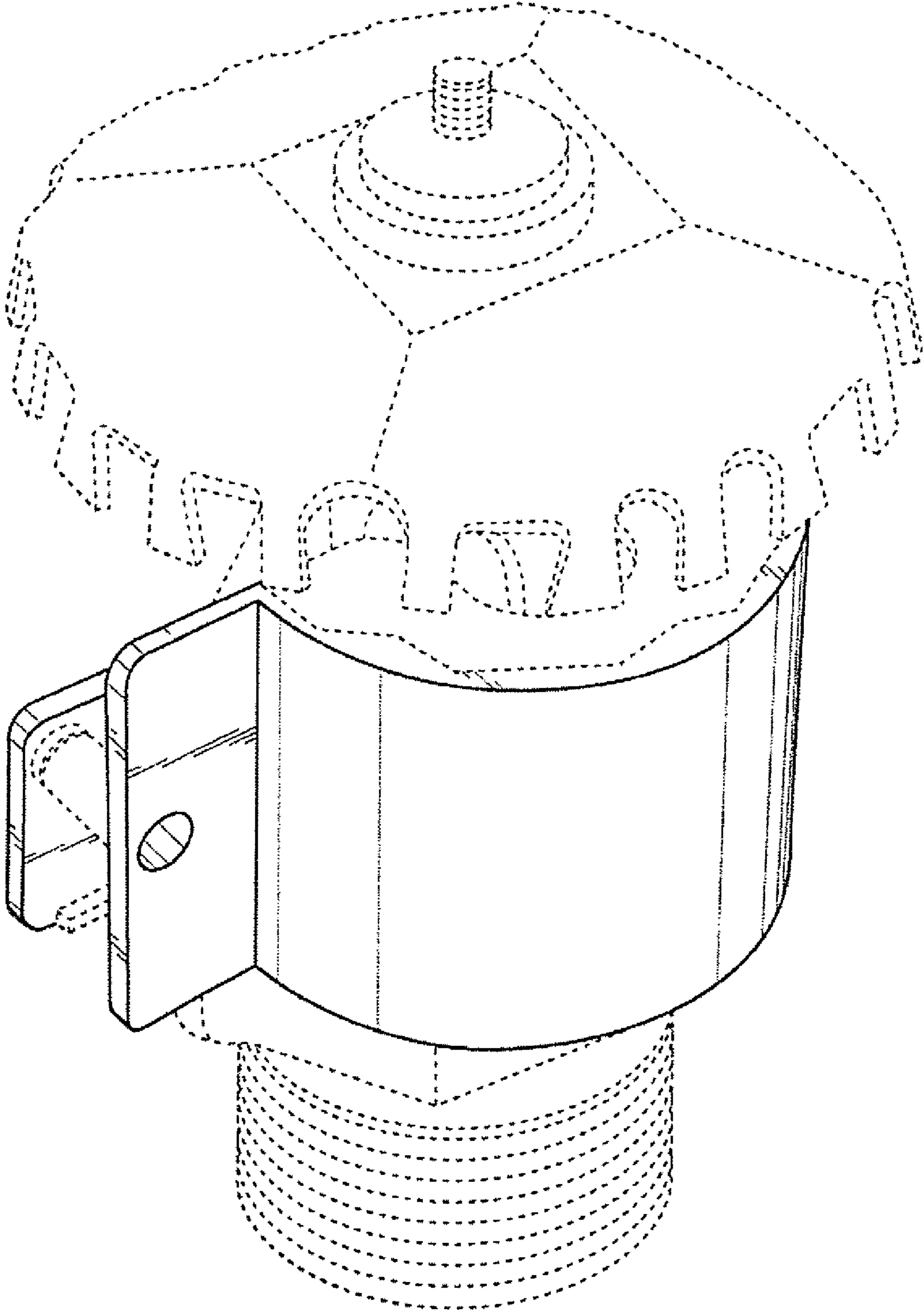


Fig. 1

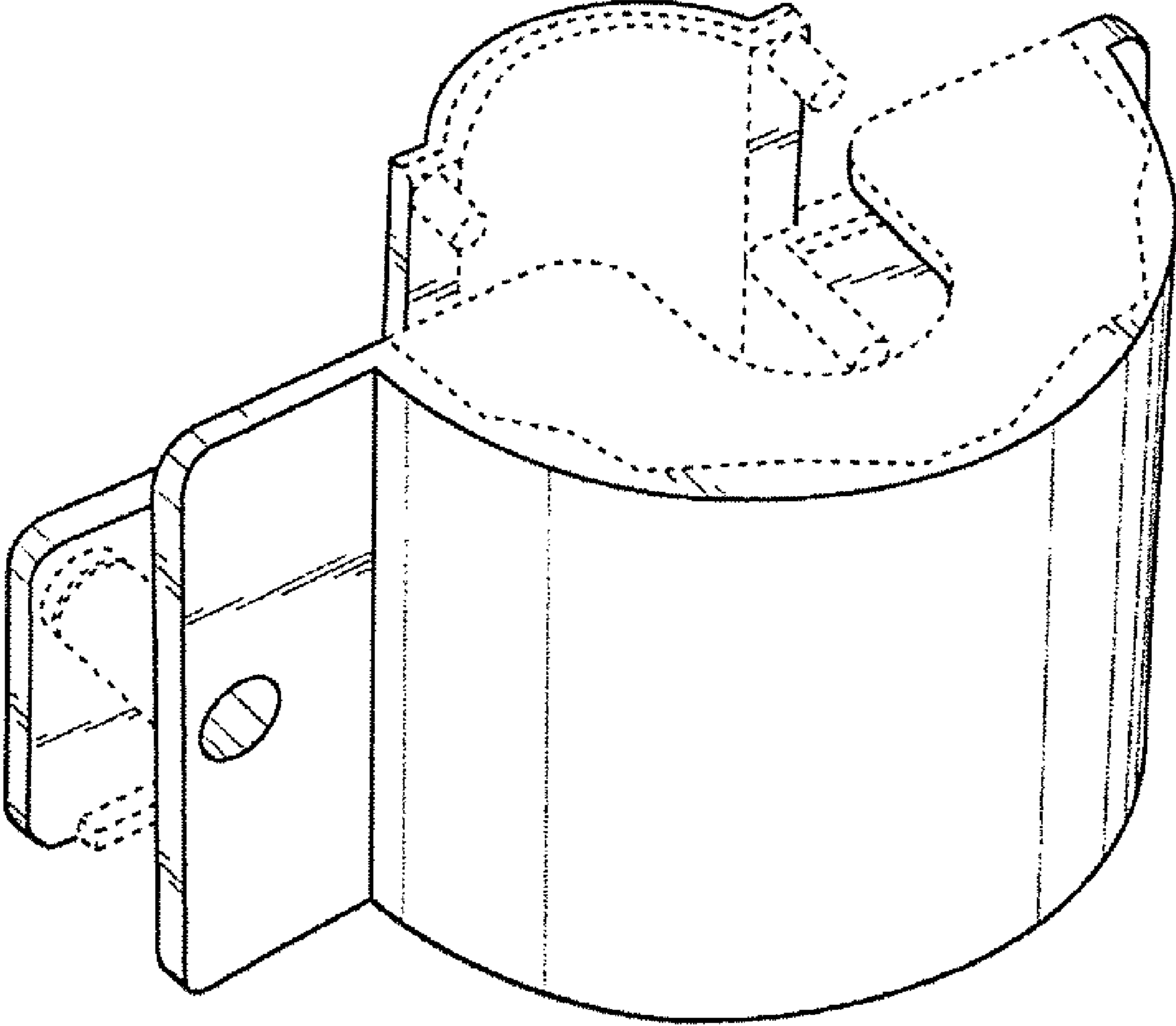


Fig. 2

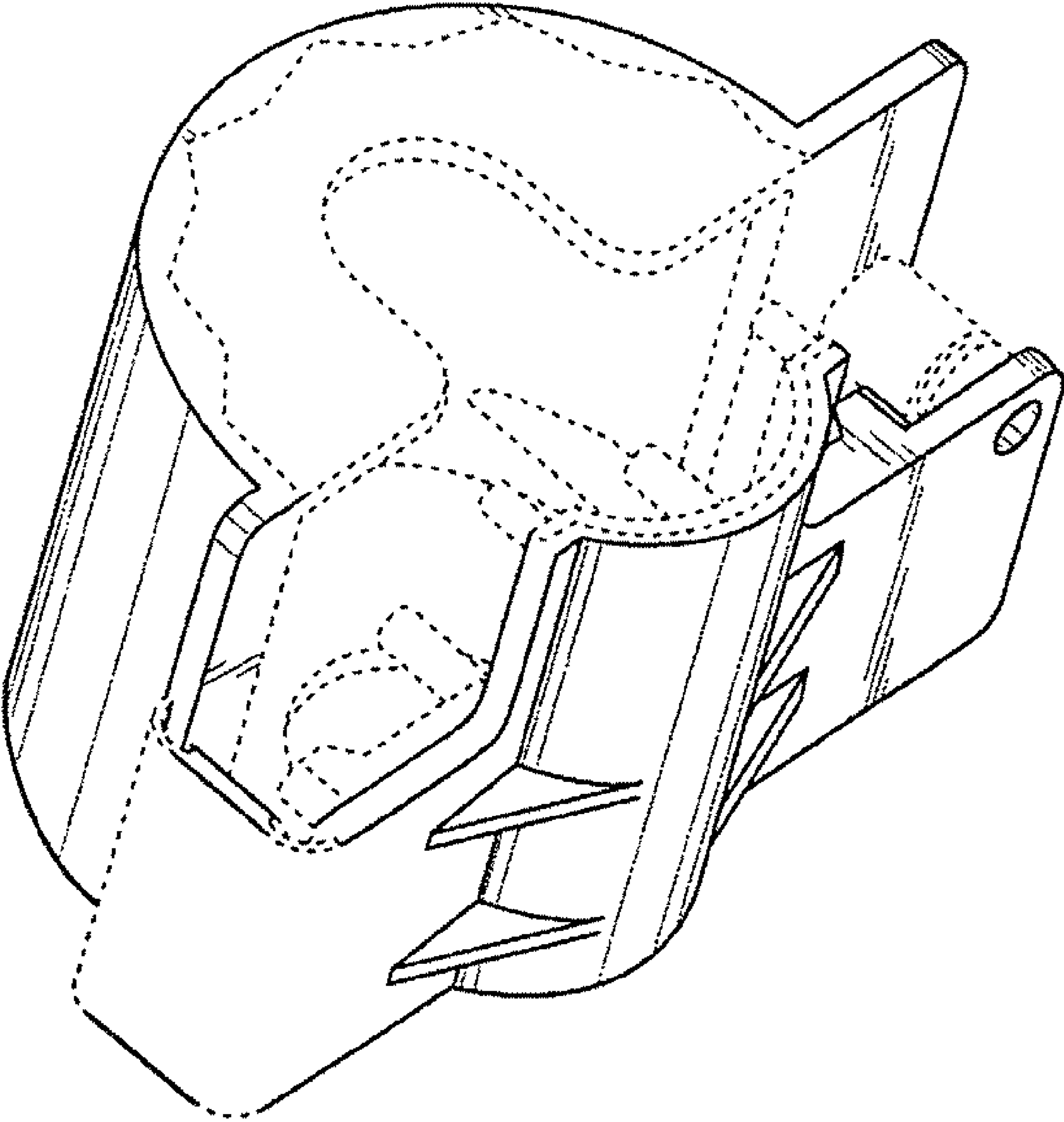


Fig. 3

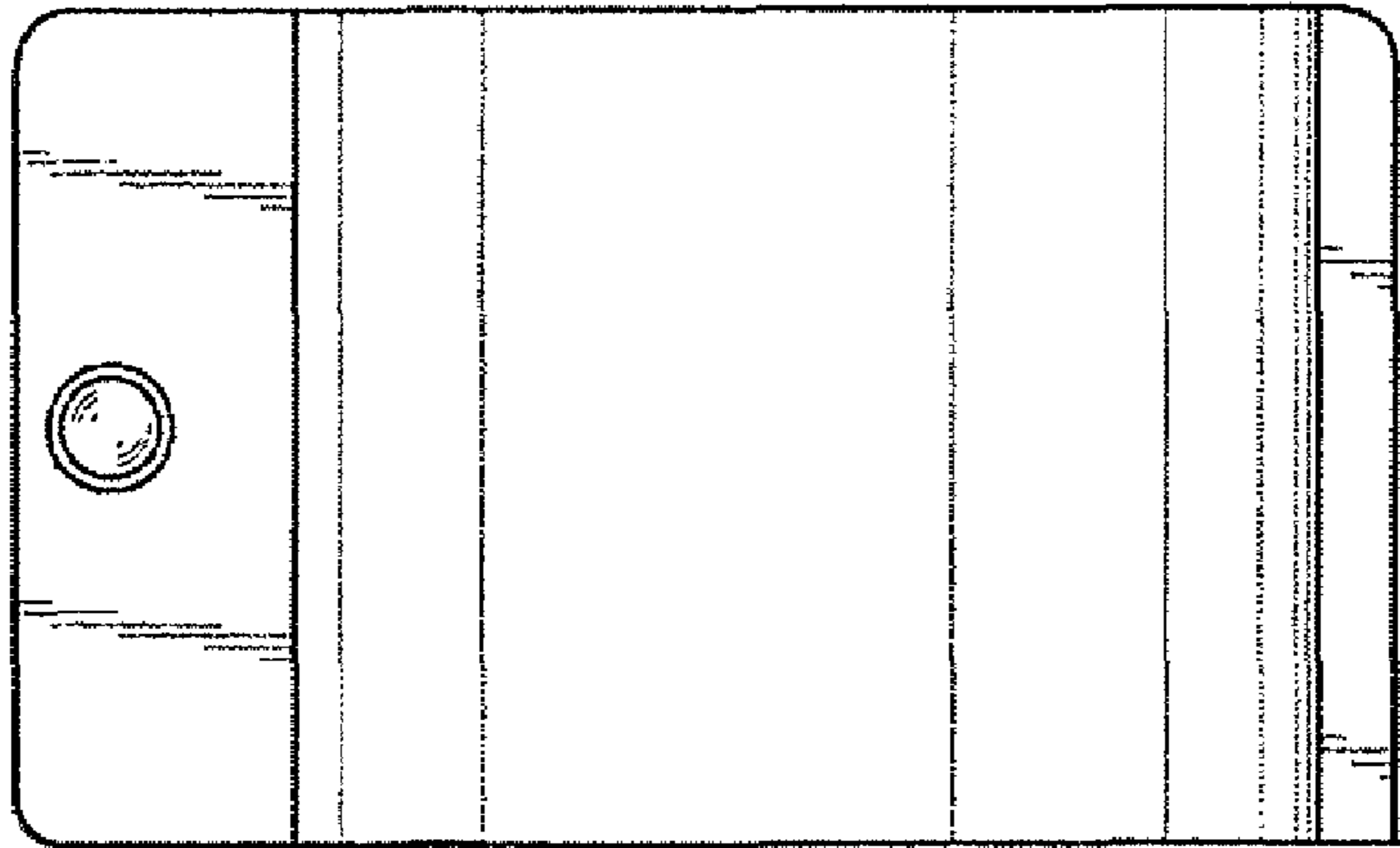


Fig. 4

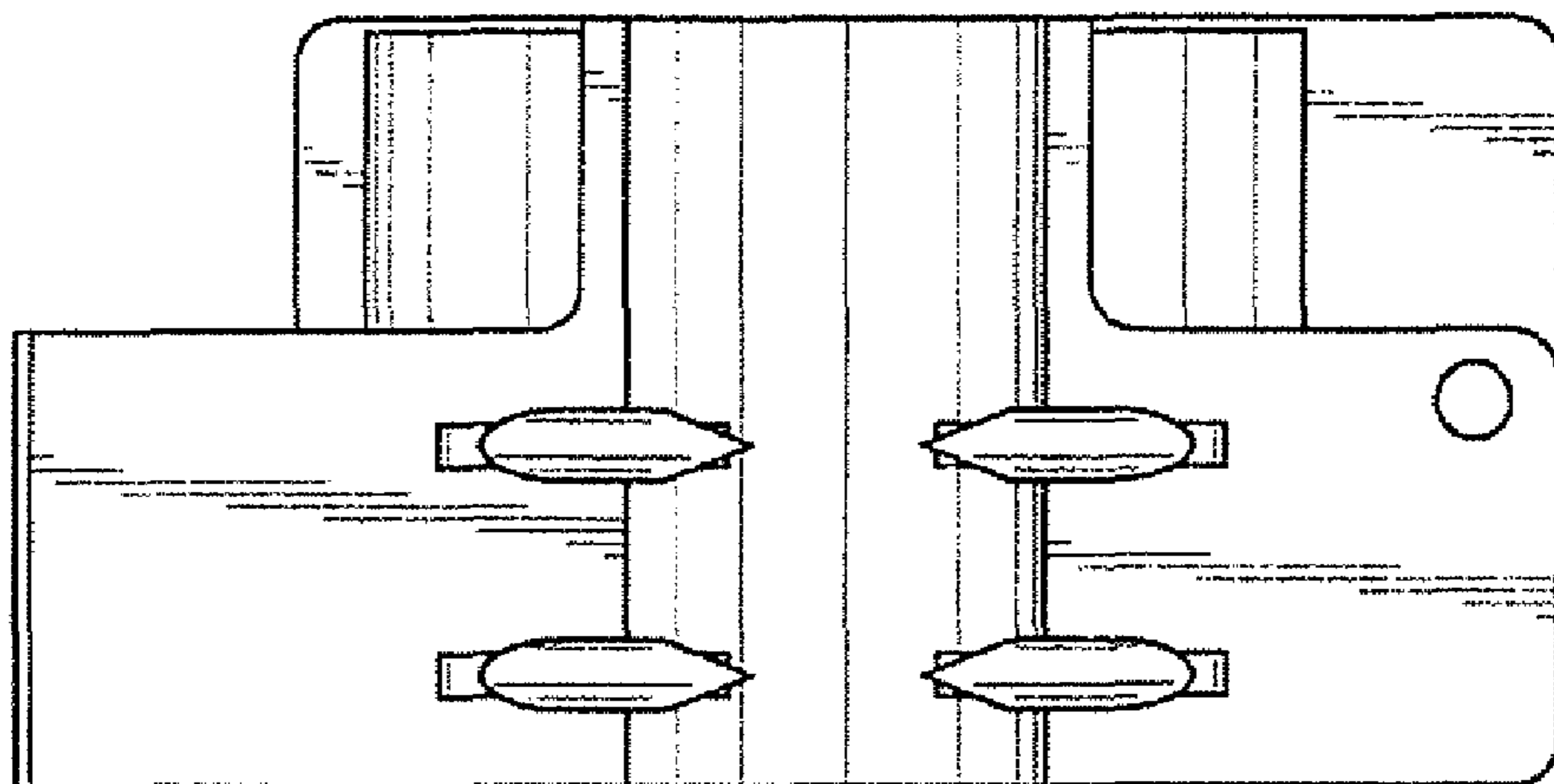


Fig. 5

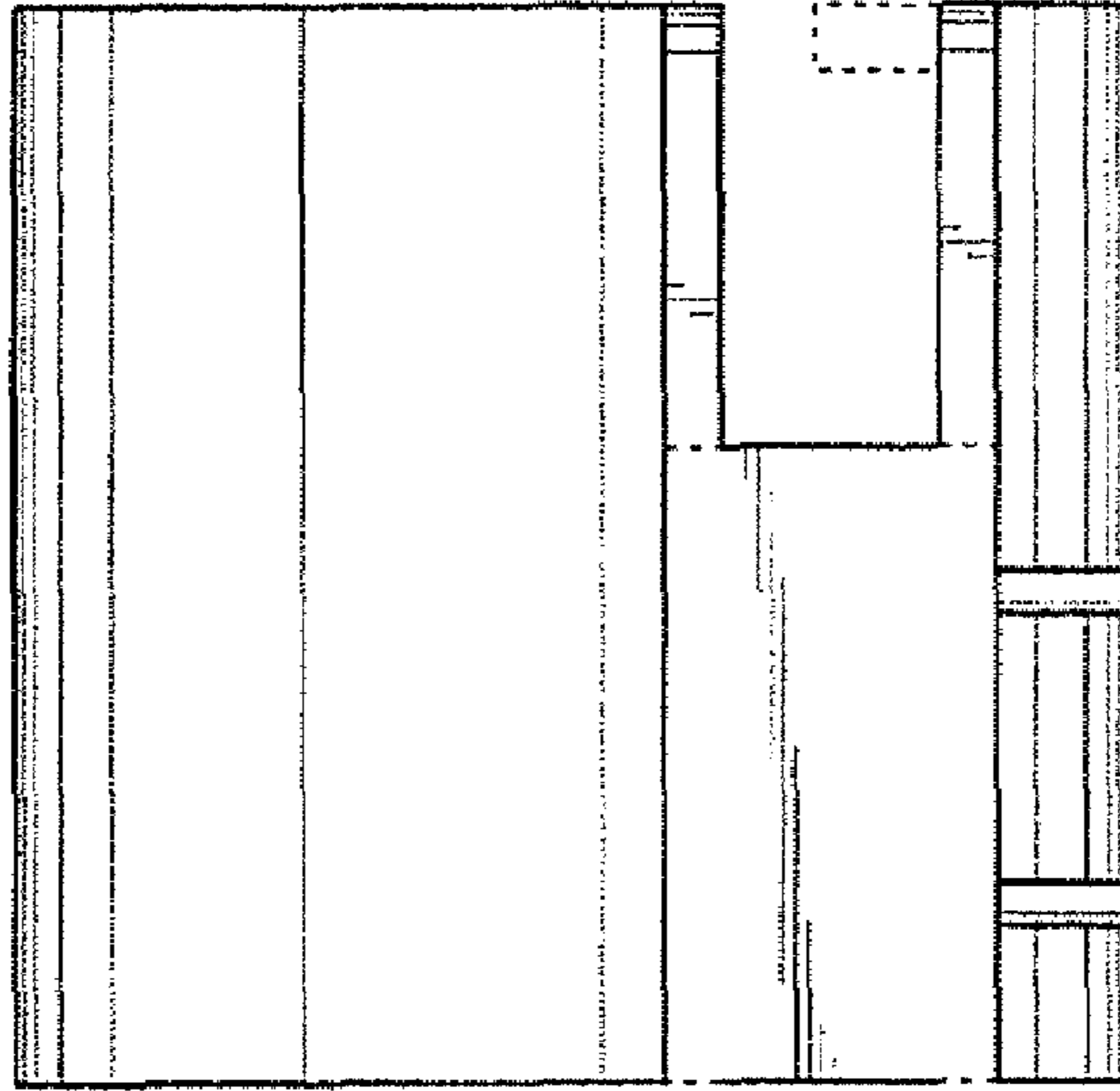


Fig. 6

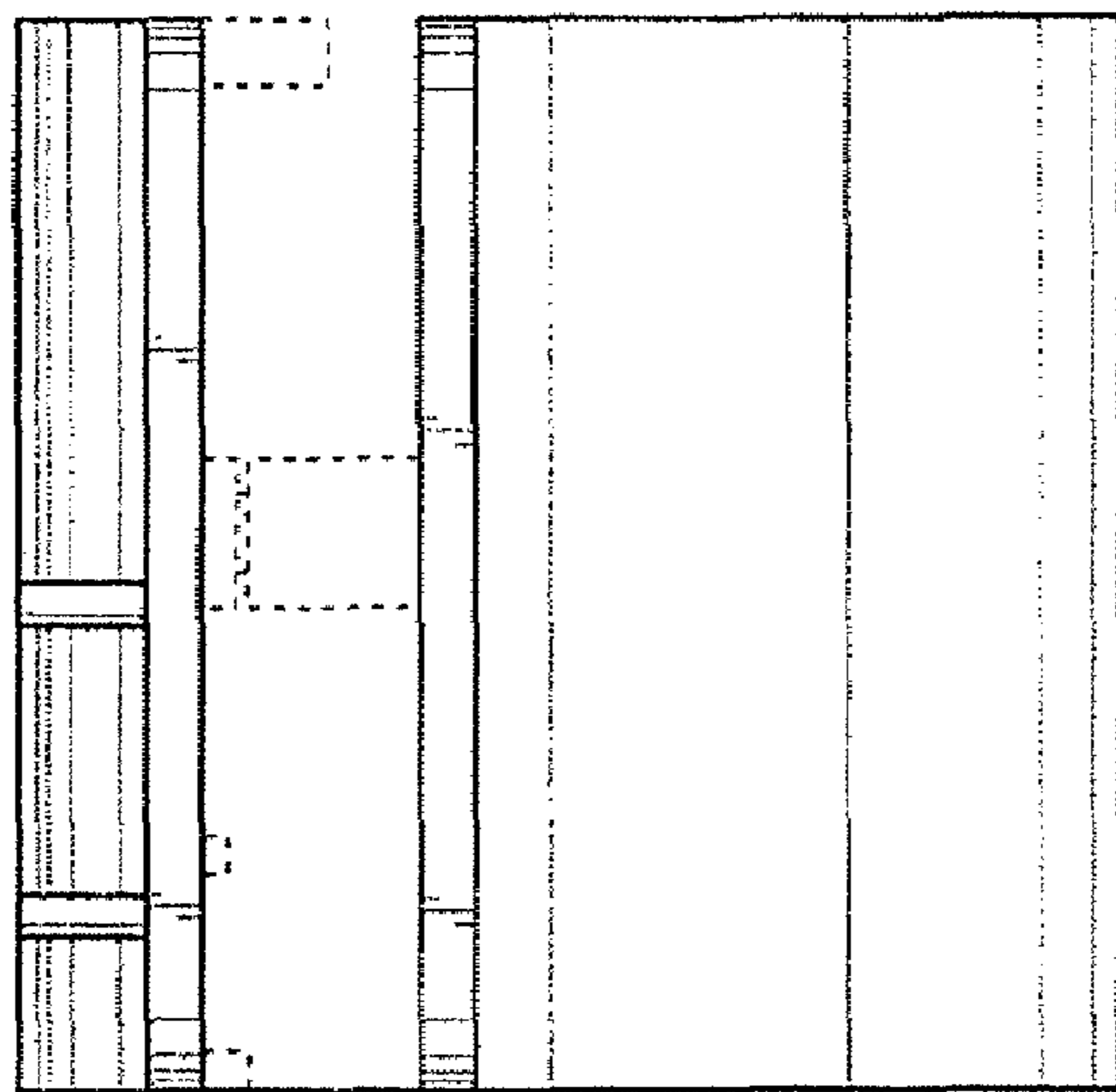


Fig. 7

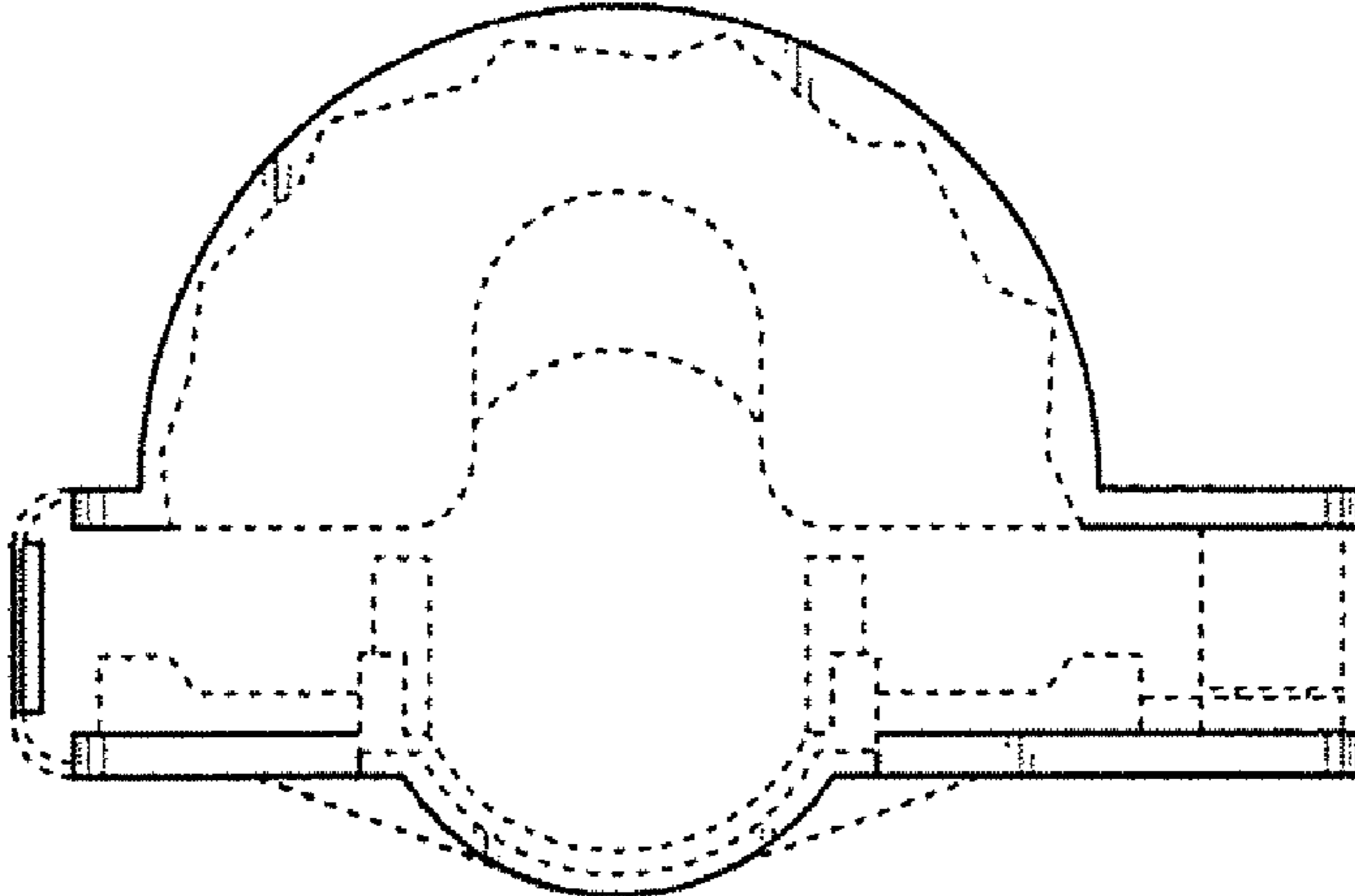


Fig. 8

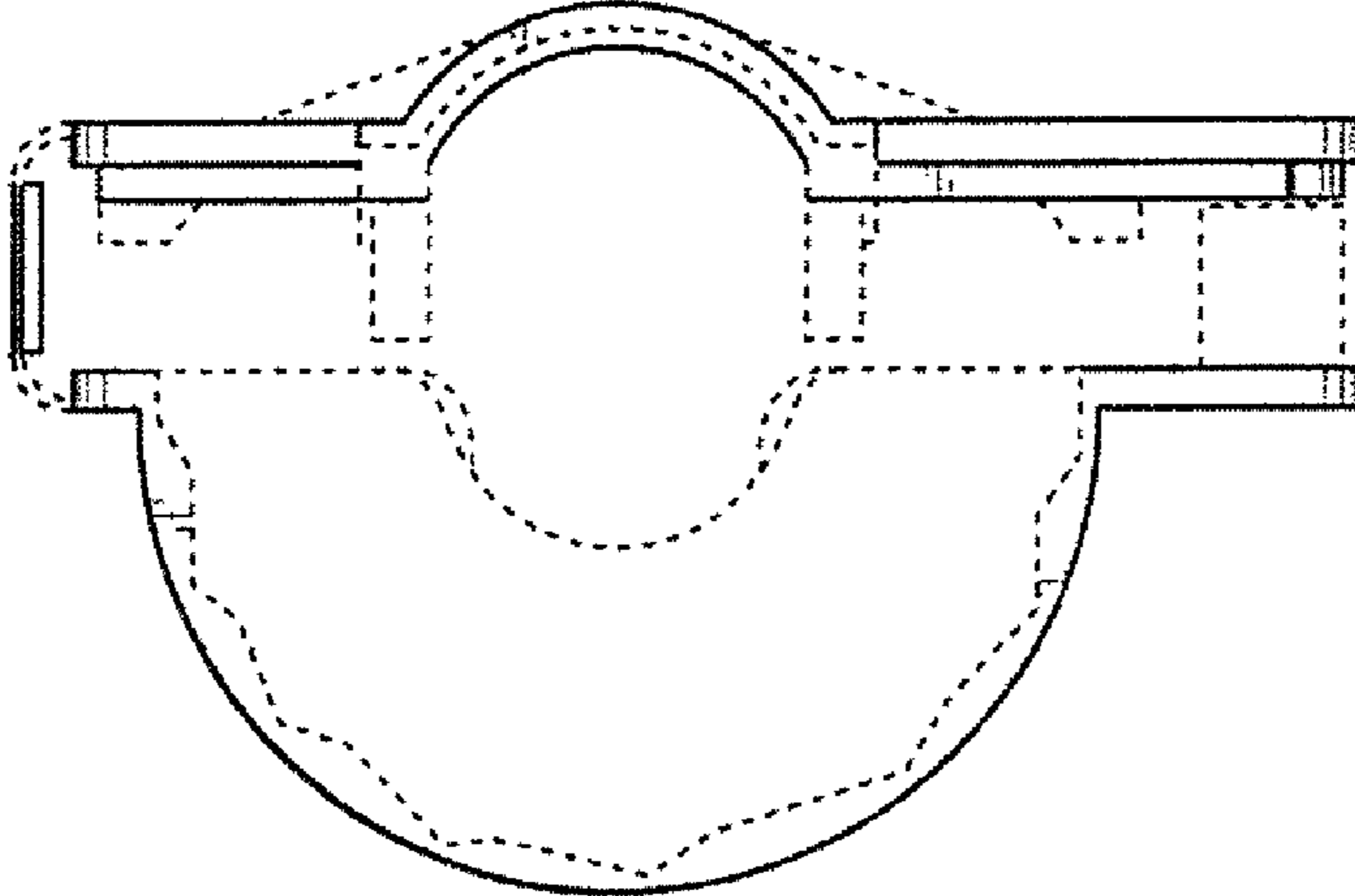


Fig. 9

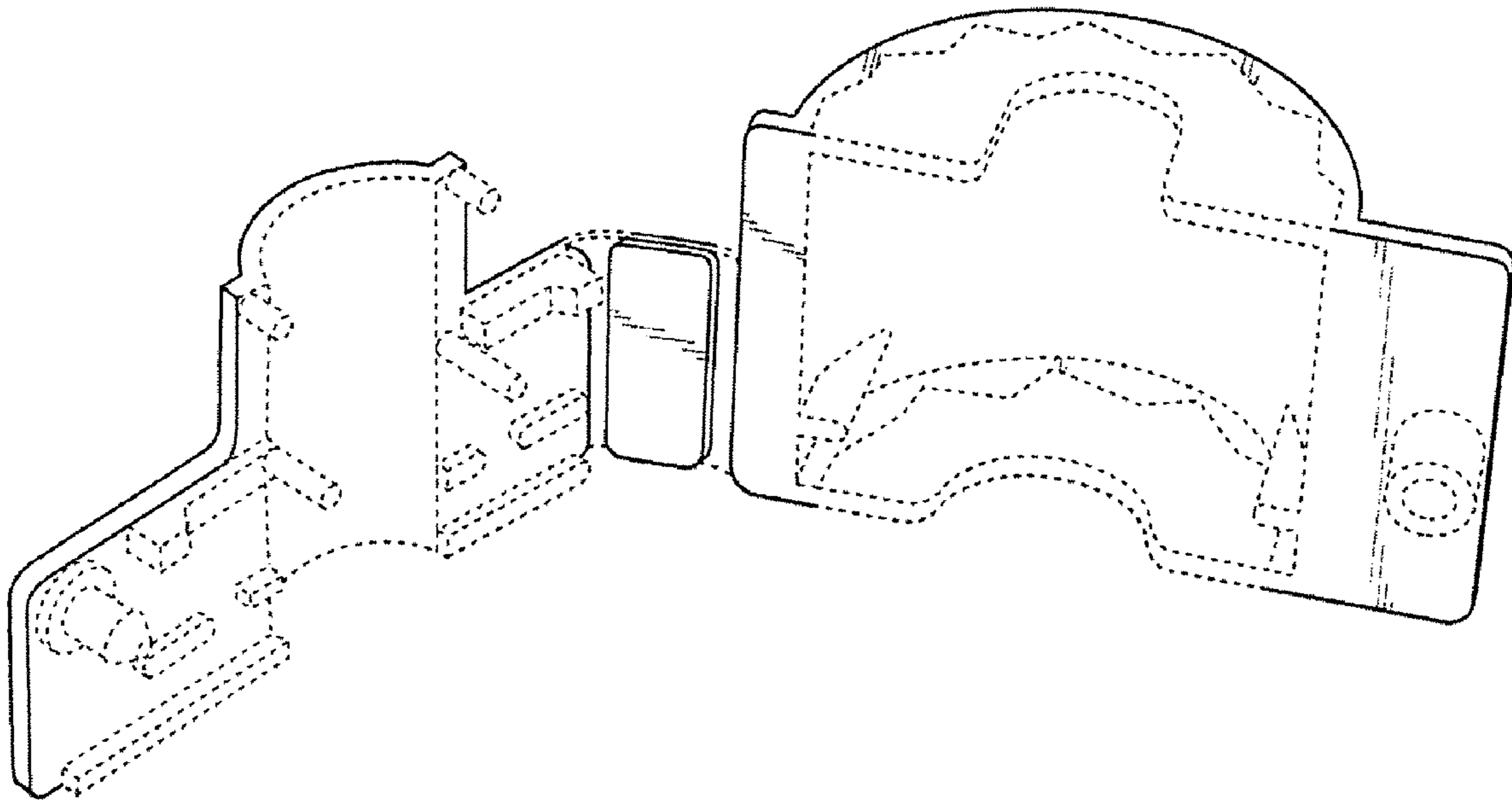


Fig. 10