



US00D611564S

(12) **United States Design Patent**
McCoy

(10) **Patent No.:** **US D611,564 S**
(45) **Date of Patent:** **** Mar. 9, 2010**

(54) **SINGLE FOOT GUIDE**

(76) Inventor: **Michael McCoy**, 13808 NE. 242nd St.,
Battle Ground, WA (US) 98604

(**) Term: **14 Years**

(21) Appl. No.: **29/339,856**

(22) Filed: **Jul. 8, 2009**

(51) **LOC (9) Cl.** **22-05**

(52) **U.S. Cl.** **D22/143**

(58) **Field of Classification Search** D22/143,
D22/137-139; 43/24-25

See application file for complete search history.

(56) **References Cited**

U.S. PATENT DOCUMENTS

D247,505 S *	3/1978	Ohmura	D22/143
D335,328 S *	5/1993	Ohmura	D22/143
D340,500 S *	10/1993	Ohmura	D22/143
D349,749 S *	8/1994	Yamamoto et al.	D22/143
D395,695 S *	6/1998	Ohmura	D22/143

D407,460 S *	3/1999	Ohmura	D22/143
D409,713 S *	5/1999	Ohmura	D22/143
D482,427 S *	11/2003	Park	D22/143

* cited by examiner

Primary Examiner—Catherine R Oliver

(74) *Attorney, Agent, or Firm*—Laura Tunnell

(57) **CLAIM**

The ornamental design for a single foot guide, as shown.

DESCRIPTION

FIG. 1 is an isometric view of the single foot guide.

FIG. 2 is a top view of the single foot guide.

FIG. 3 is a bottom view of the single foot guide.

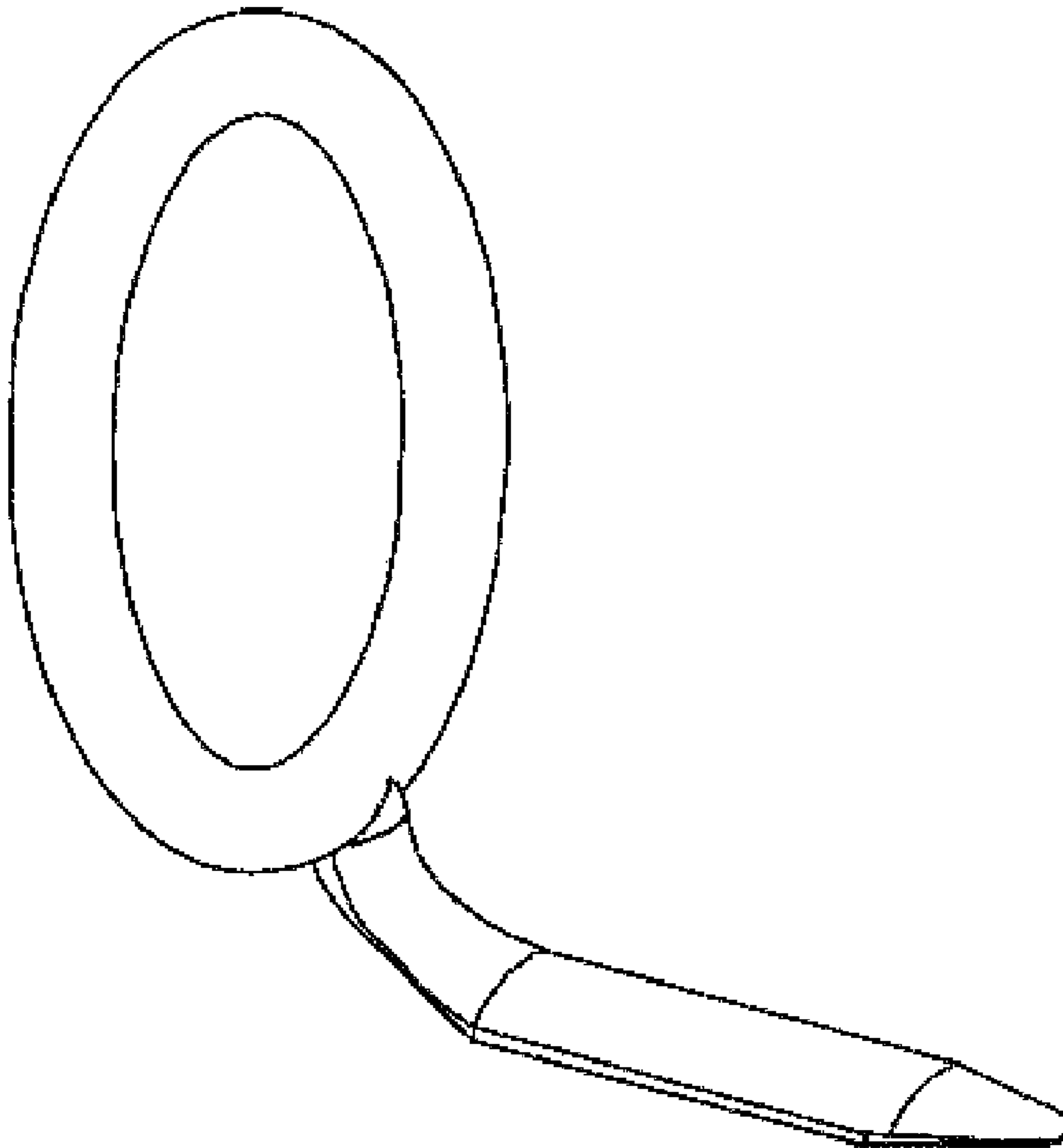
FIG. 4 is a front view of the single foot guide.

FIG. 5 is a rear view of the single foot guide.

FIG. 6 is a view of the left side of the single foot guide; and,

FIG. 7 is a view of the right side of the single foot guide.

1 Claim, 4 Drawing Sheets



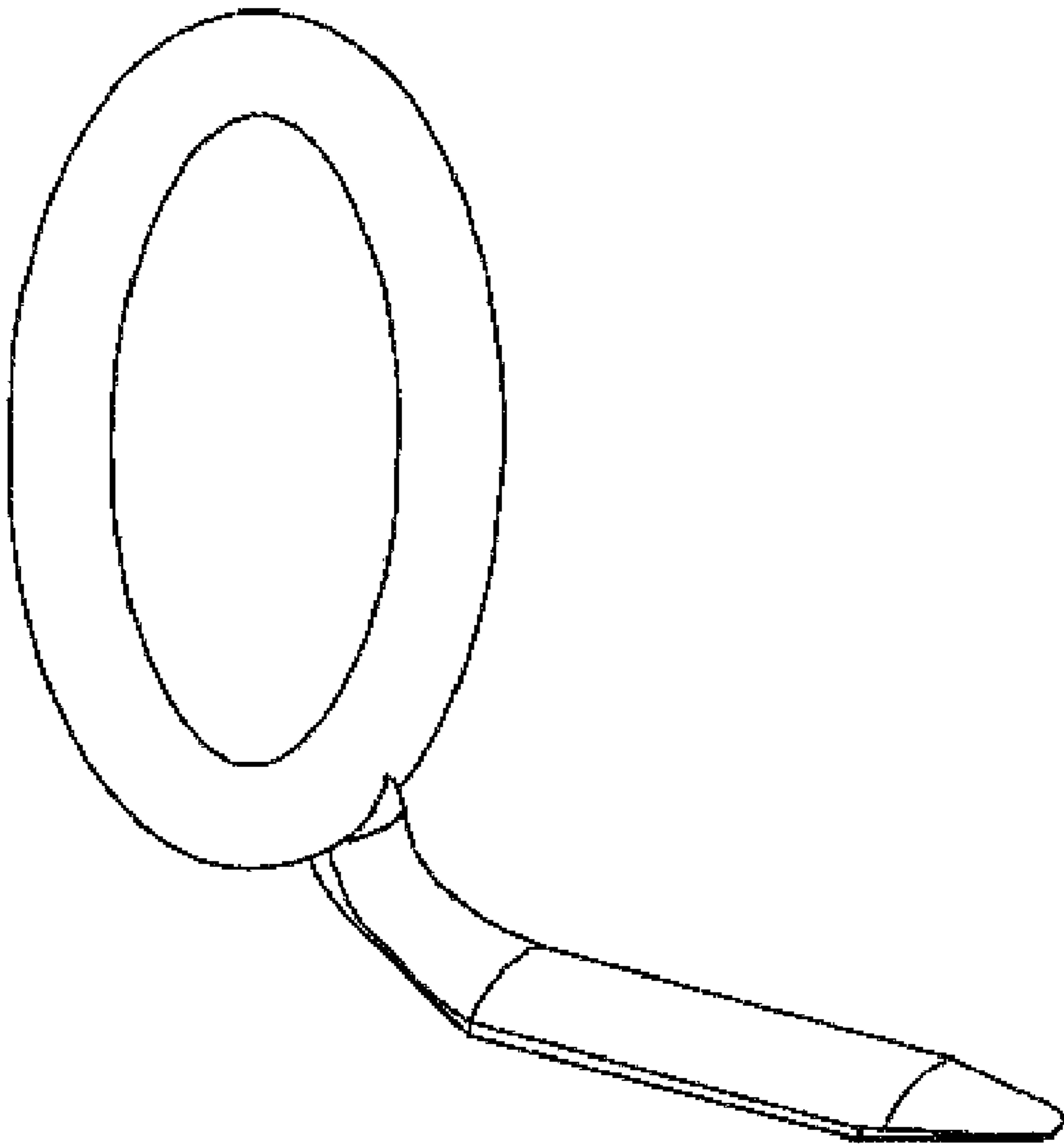


Figure 1

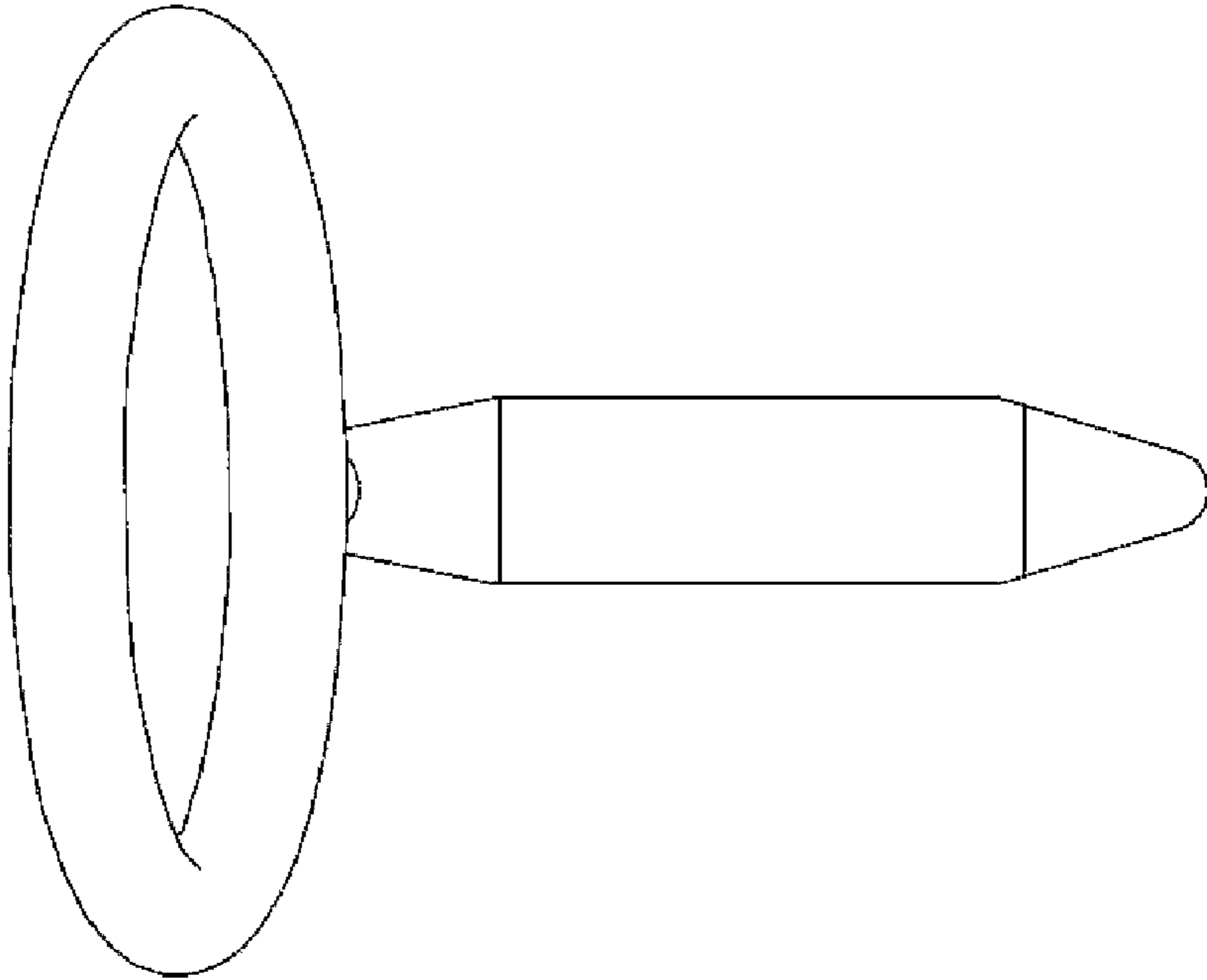


Figure 2

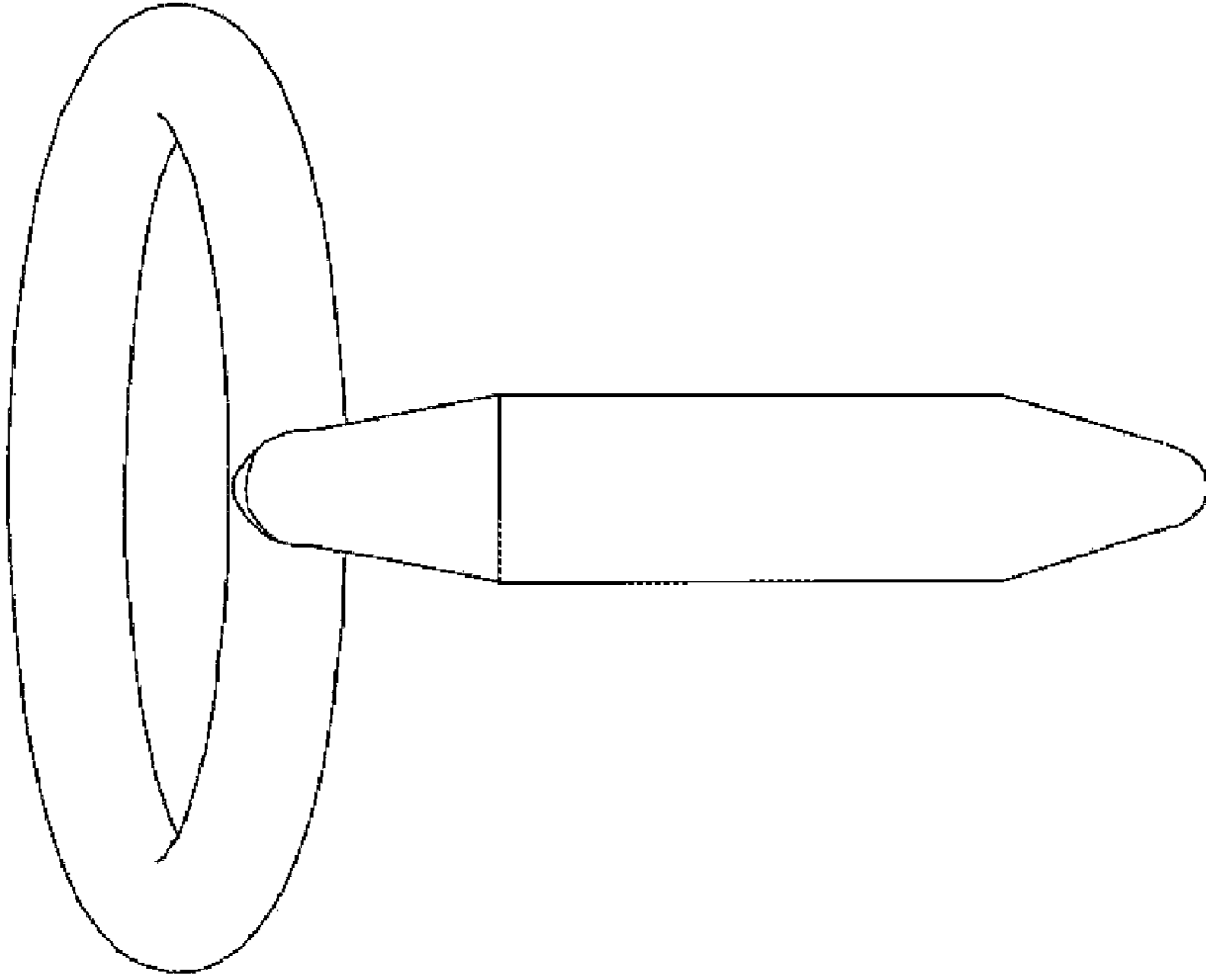


Figure 3

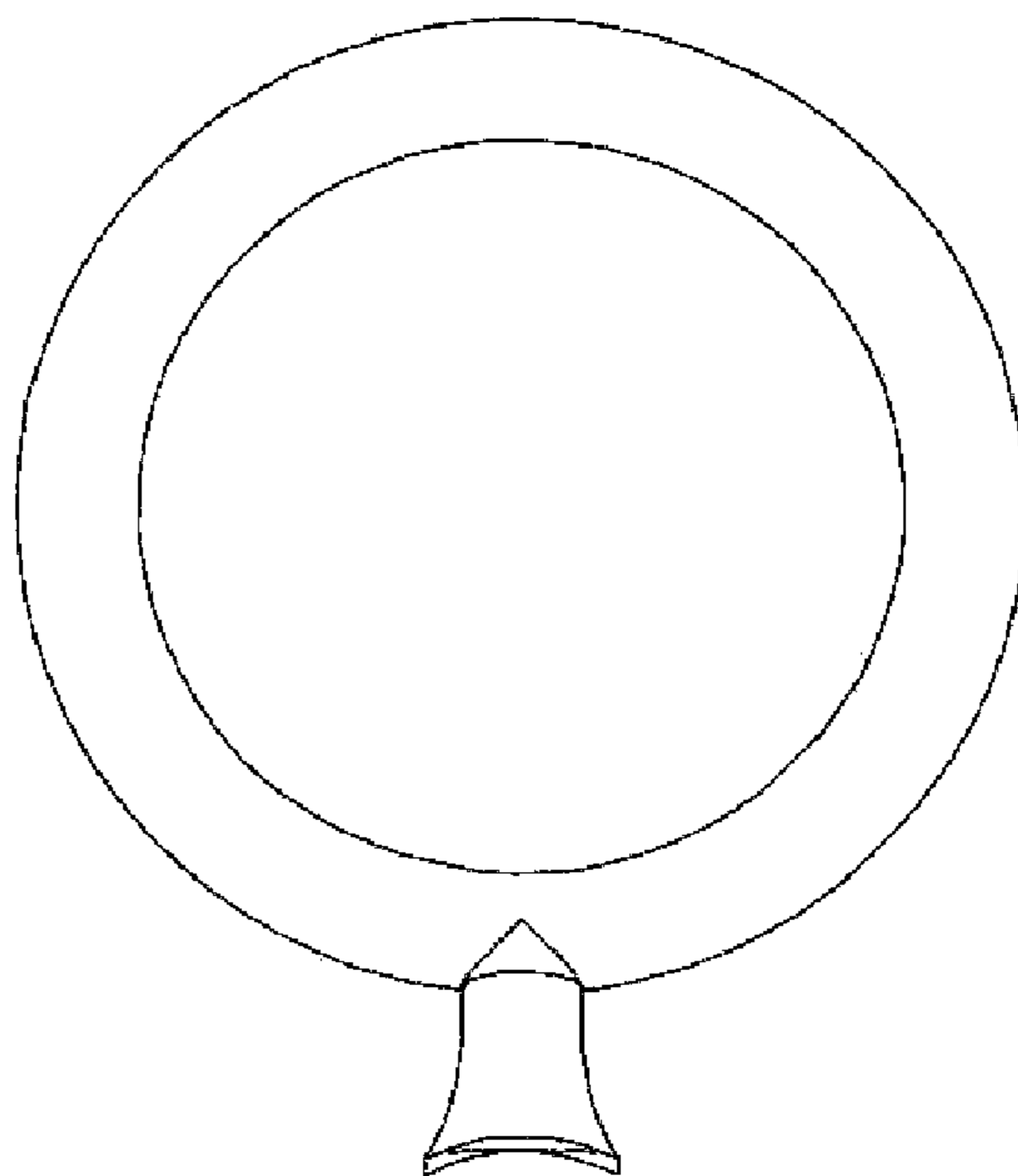


Figure 4

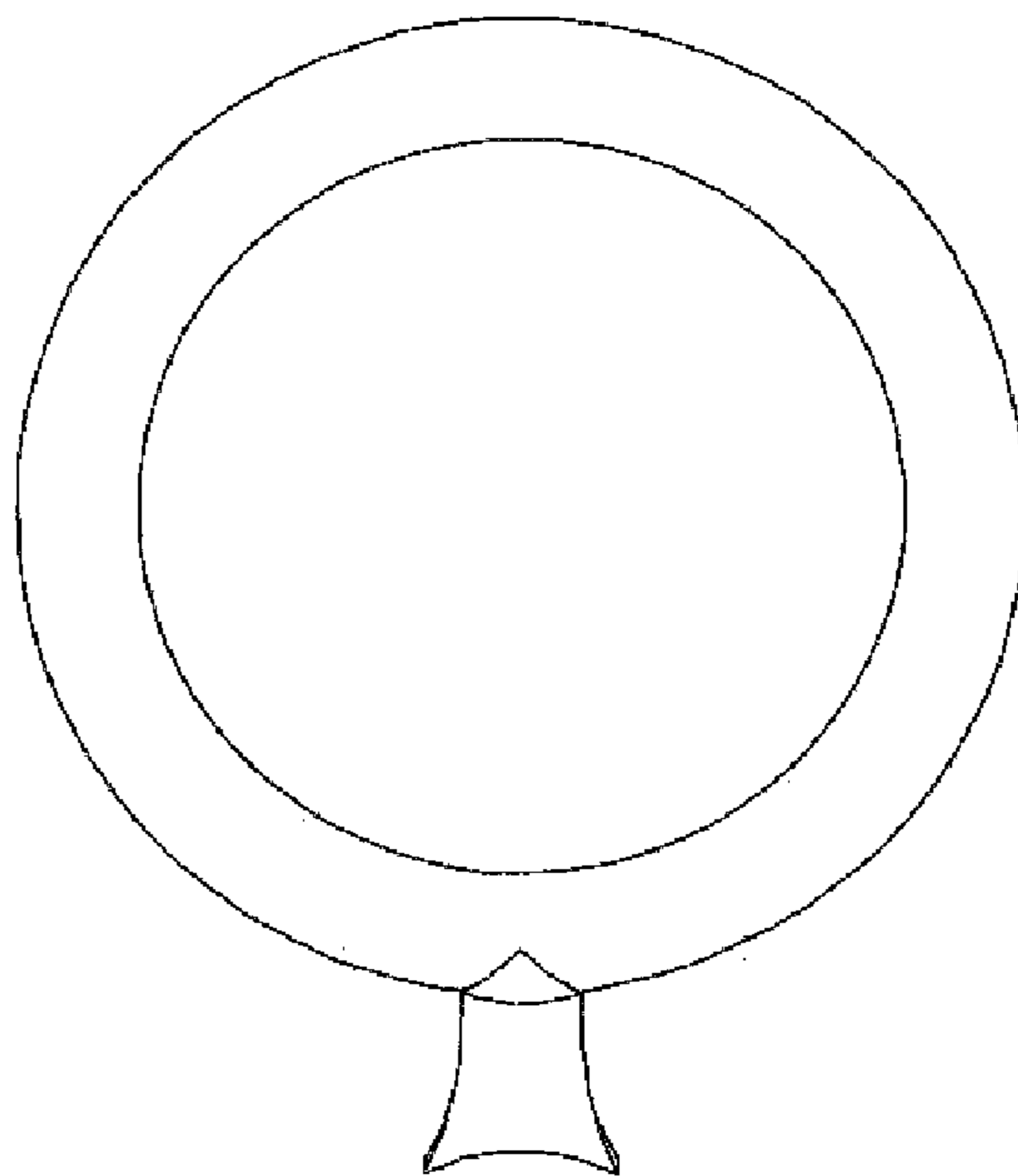


Figure 5

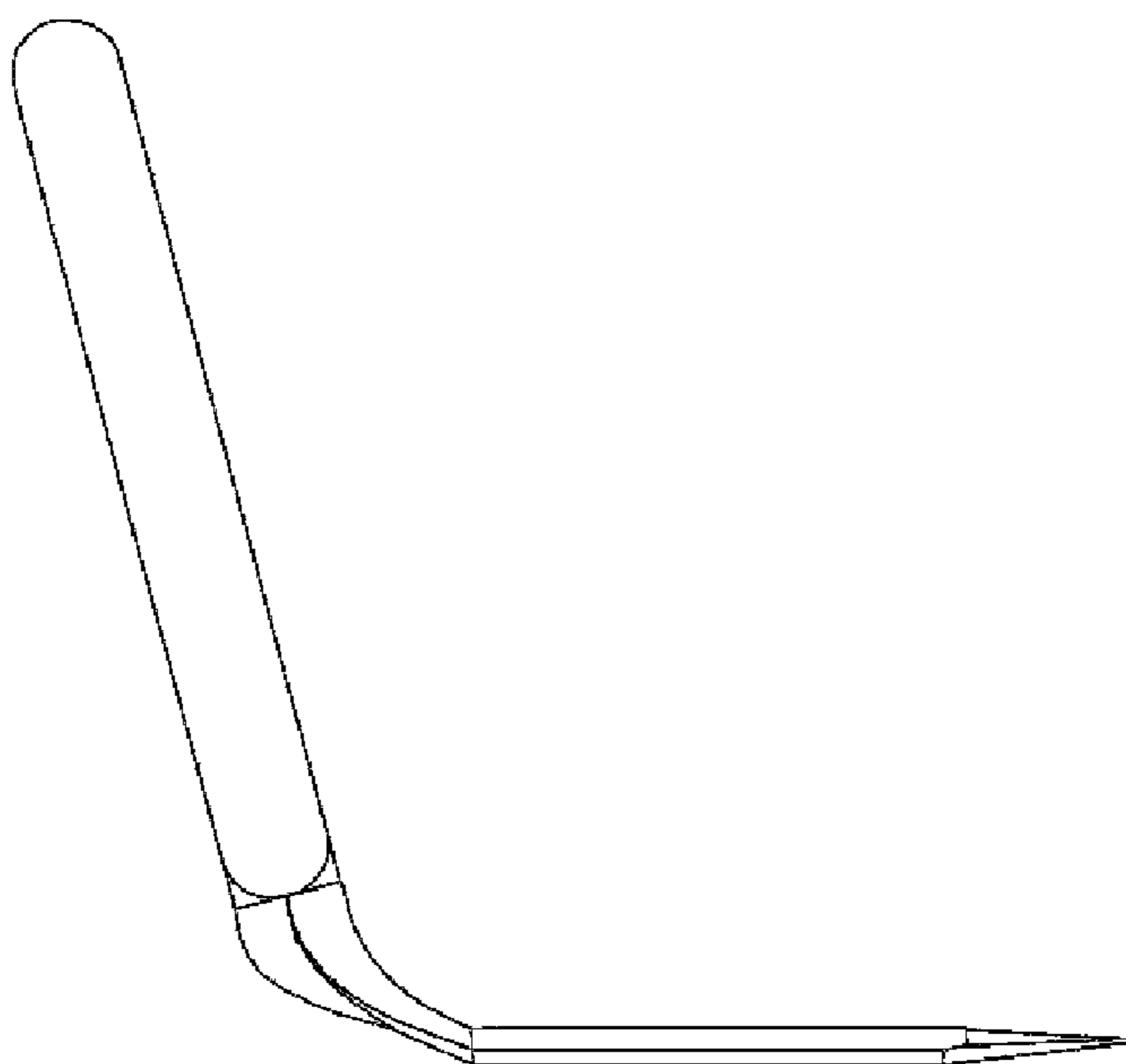


Figure 6

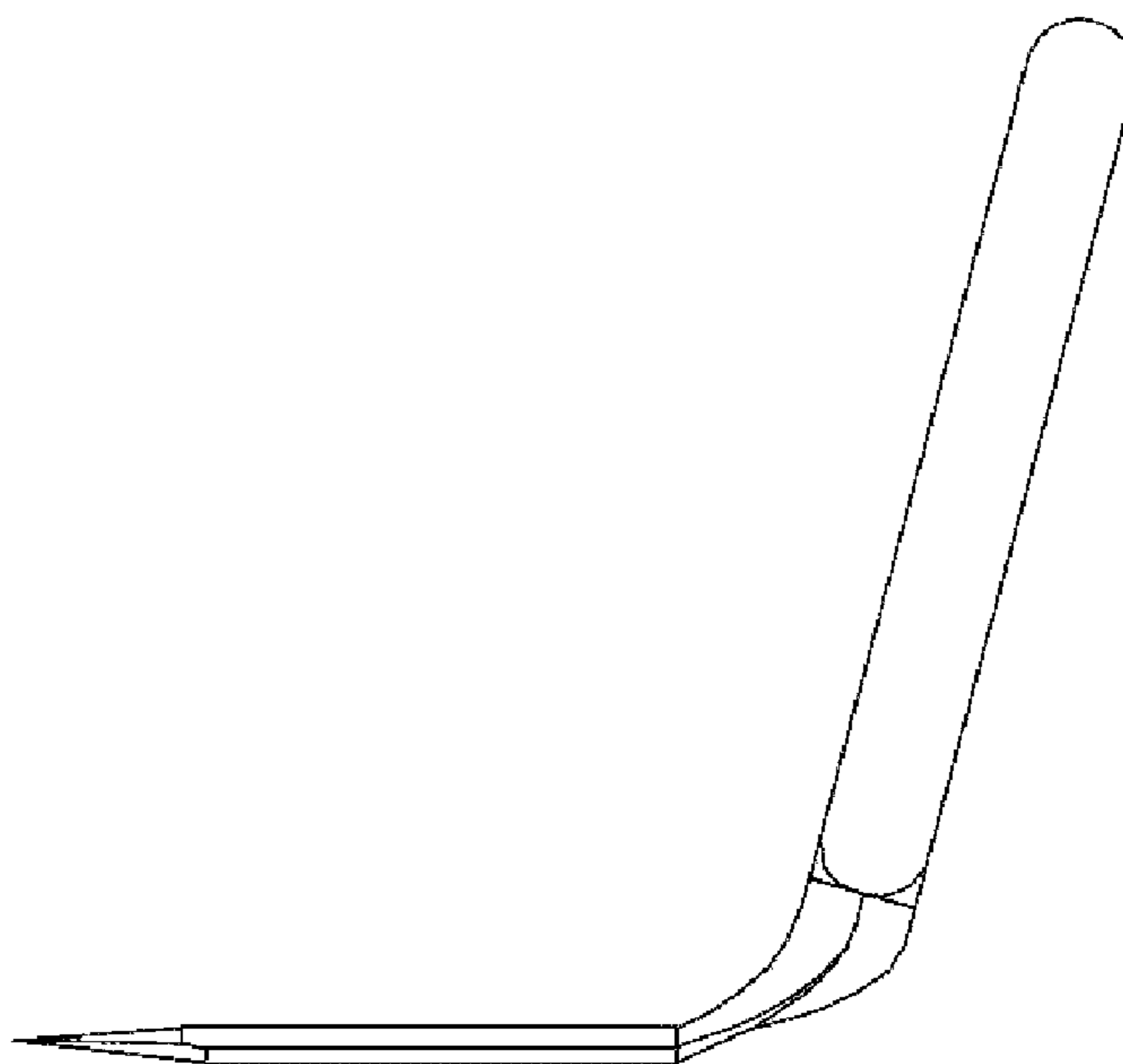


Figure 7