



US00D611562S

(12) **United States Design Patent**
Sjöberg

(10) **Patent No.:** **US D611,562 S**
(45) **Date of Patent:** **** Mar. 9, 2010**

(54) **PENTAGON HANDLE FOR A FISHING ROD**

D472,297 S * 3/2003 Hashimoto D22/142
6,629,382 B2 * 10/2003 Irrgang et al. 43/18.1 R
D600,773 S * 9/2009 Hall D22/139

(75) Inventor: **Christer Sjöberg**, Norra Stavsudda (SE)

(73) Assignee: **Loop Tackle Design AB**, Akersberga (SE)

* cited by examiner

Primary Examiner—Catherine R Oliver
(74) *Attorney, Agent, or Firm*—Dickstein Shapiro LLP

(**) Term: **14 Years**

(21) Appl. No.: **29/328,701**

(57) **CLAIM**

(22) Filed: **Dec. 1, 2008**

The ornamental design for a pentagon handle for a fishing rod, as shown and described.

(51) **LOC (9) Cl.** **22-05**

(52) **U.S. Cl.** **D22/142**

(58) **Field of Classification Search** D22/137–142;
D8/300, 303, 305, 107; 43/20, 22–23, 25,
43/18.1 R; 135/25.4, 25.41; D3/12
See application file for complete search history.

DESCRIPTION

FIG. 1 is a perspective view of the fishing rod handle of the present invention;

FIG. 2 is an enlarged perspective view of the fishing rod handle of the present invention; and,

FIG. 3 is an end view of the fishing rod handle, with the opposite end being a mirror image thereof.

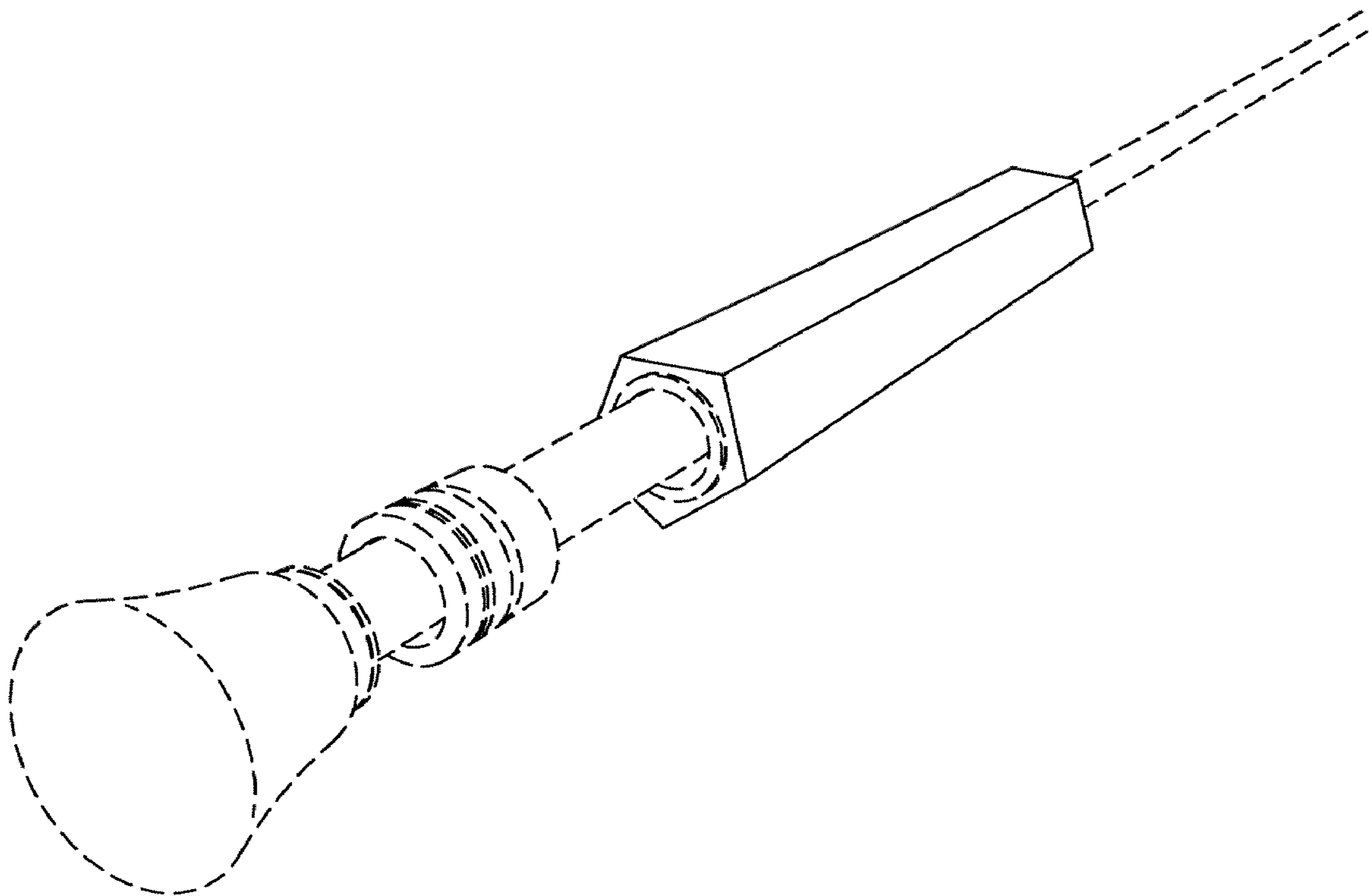
The broken line showing of a portion of a fishing rod is included for the purpose of illustrating only and forms no part of the claimed design.

(56) **References Cited**

U.S. PATENT DOCUMENTS

D10,284 S * 10/1877 Kaldenberg D3/12
1,932,986 A * 10/1933 Powell 43/18.1 R
5,592,773 A * 1/1997 Perry 43/25
D416,464 S * 11/1999 Eason D8/300
D453,463 S * 2/2002 Chang D8/107

1 Claim, 3 Drawing Sheets



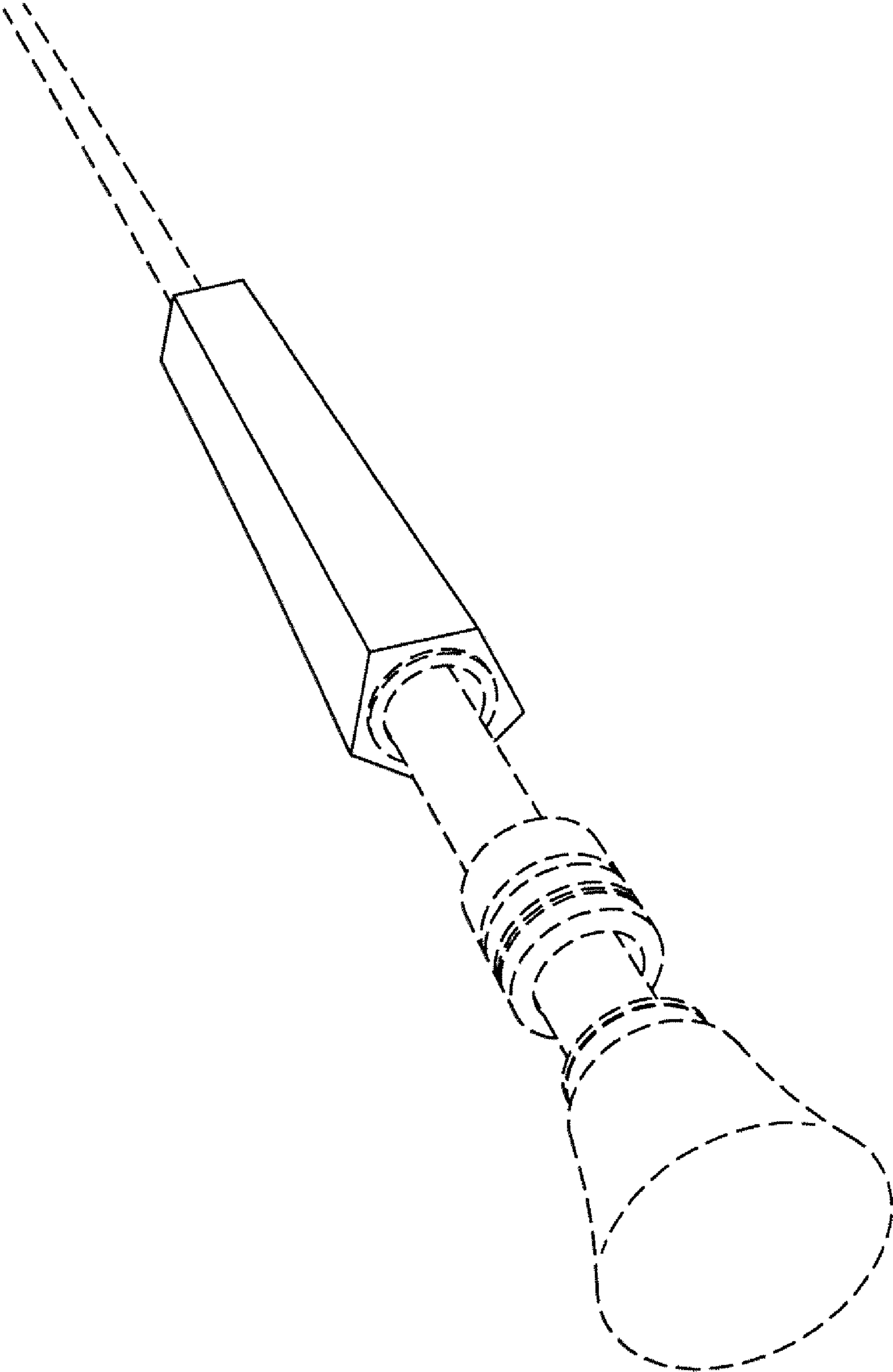


FIG. 1

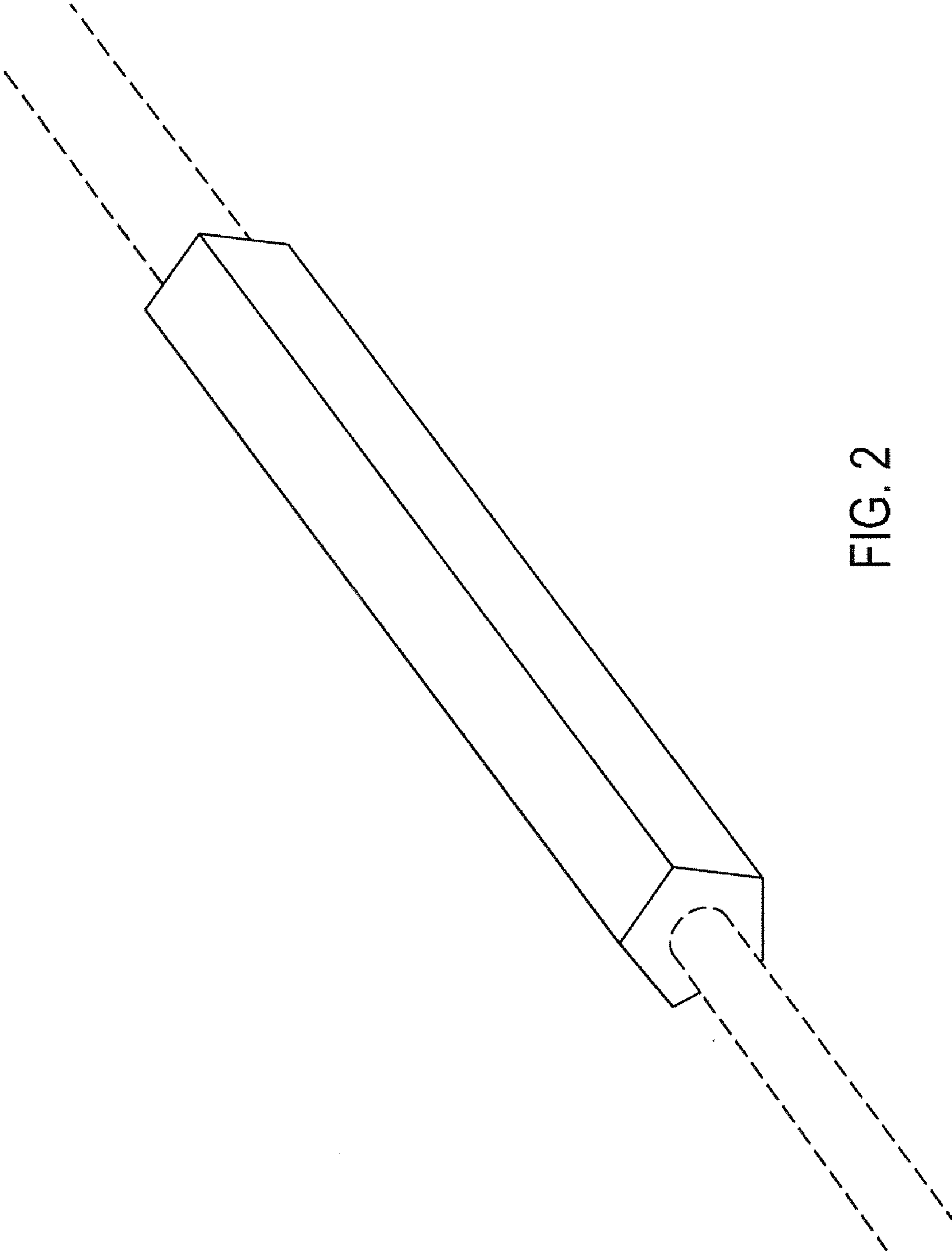


FIG. 2

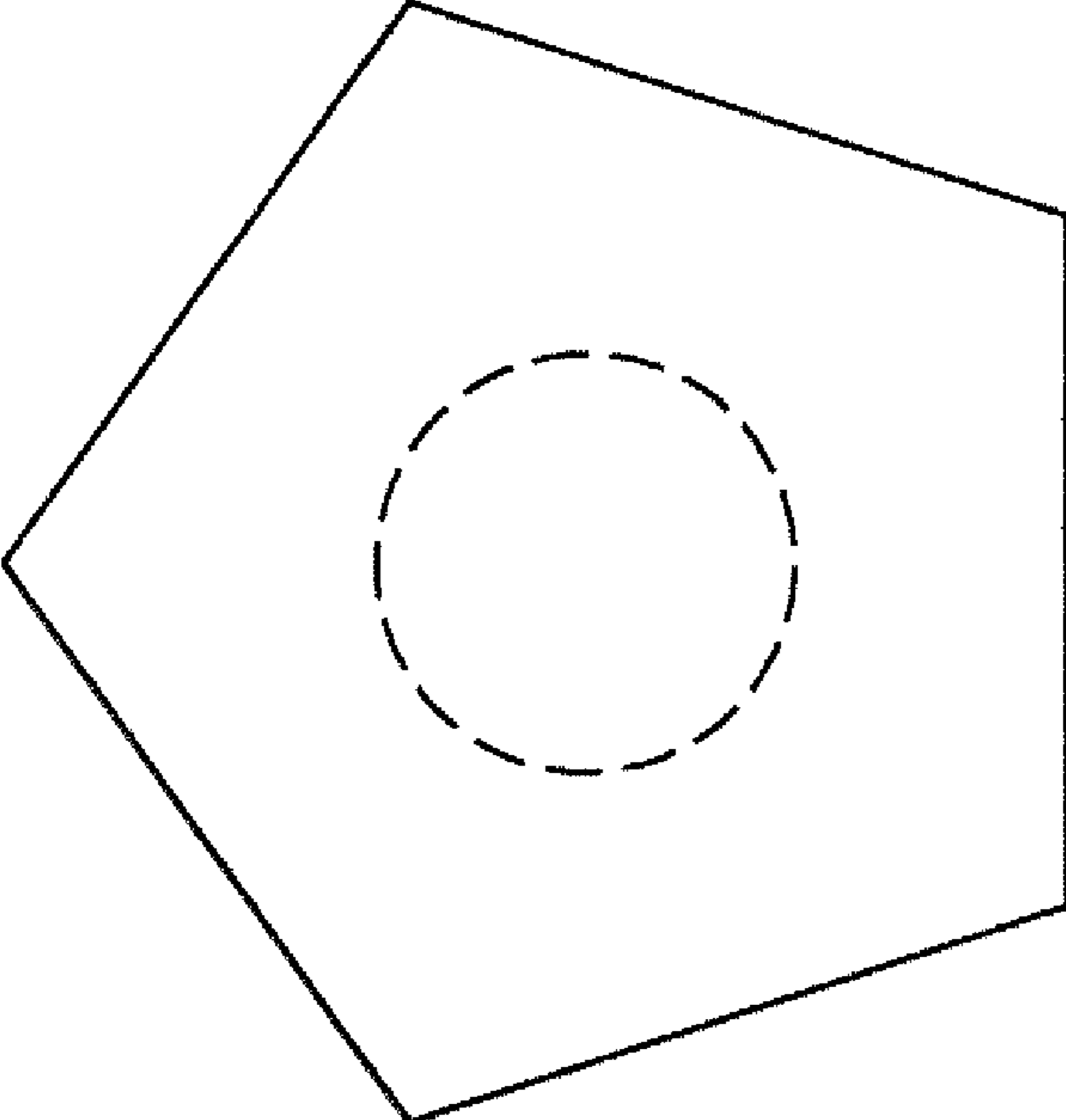


FIG. 3