



US00D611561S

(12) **United States Design Patent**  
**Kobayashi et al.**

(10) **Patent No.:** **US D611,561 S**  
(45) **Date of Patent:** **\*\* Mar. 9, 2010**

- (54) **SIDE PLATE FOR FISHING REEL BODY**
- (75) Inventors: **Mikiharu Kobayashi**, Higashikurume (JP); **Etsuo Aota**, Higashikurume (JP); **Daisuke Higuchi**, Musashino (JP)
- (73) Assignee: **Daiwa Seiko, Inc.**, Higashikurume (JP)
- (\*\*) Term: **14 Years**
- (21) Appl. No.: **29/338,308**
- (22) Filed: **Jun. 9, 2009**

*Primary Examiner*—Catherine R Oliver  
(74) *Attorney, Agent, or Firm*—Sughrue Mion, PLLC

(57) **CLAIM**

The ornamental design for a side plate for fishing reel body, as shown and described.

**DESCRIPTION**

- (51) **LOC (9) Cl.** ..... **22-05**
  - (52) **U.S. Cl.** ..... **D22/141**
  - (58) **Field of Classification Search** ..... D22/137–142;  
43/18.1 R, 20–21; 242/310, 312, 314–315,  
242/249, 261
- See application file for complete search history.

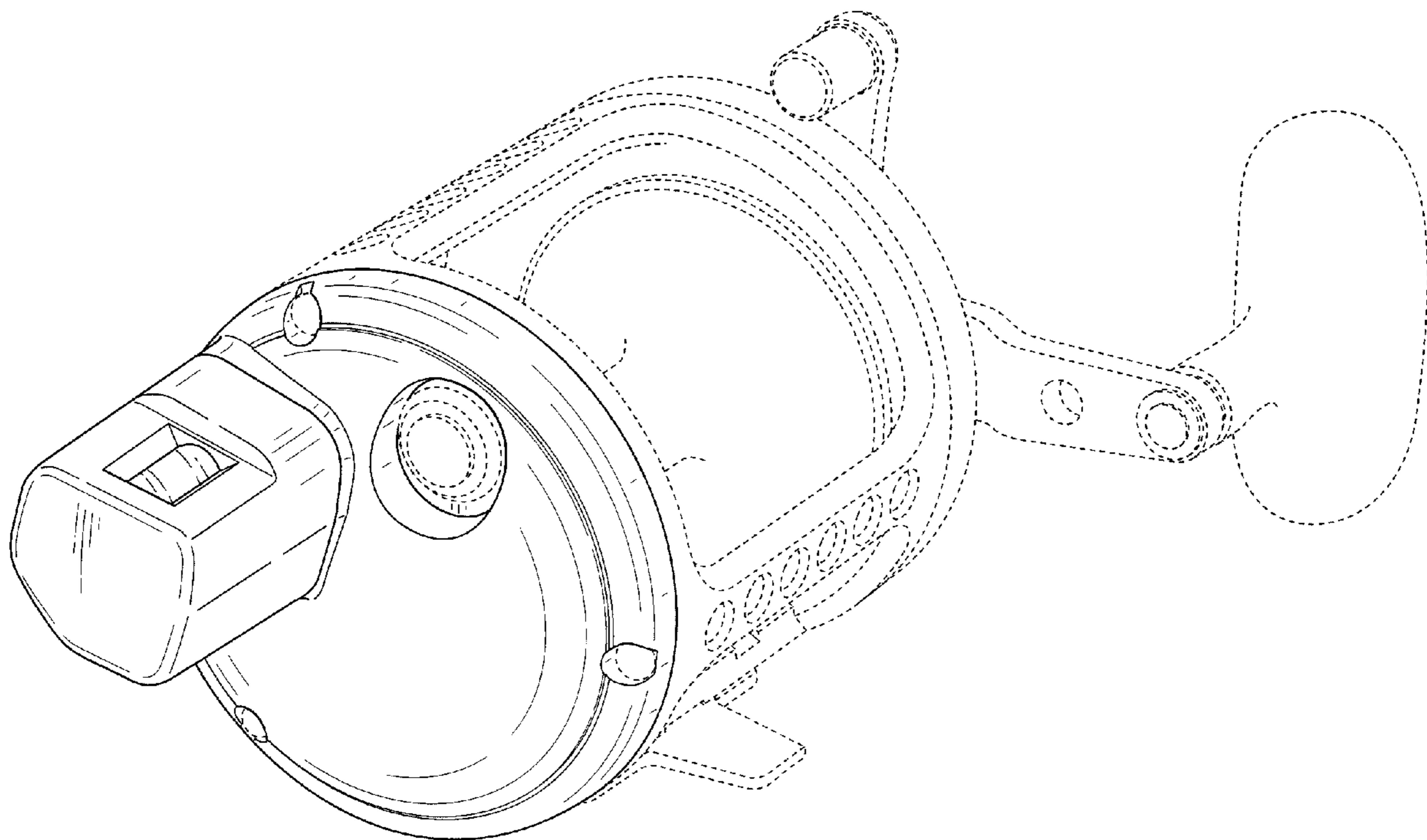
FIG. 1 is a perspective view of the side plate for fishing reel body according to the present invention;  
 FIG. 2 is a first side view thereof;  
 FIG. 3 is a second side view thereof, opposite to that shown in FIG. 2;  
 FIG. 4 is a third side view thereof, with the reel rotated by approximately 90 degrees in one direction relative to FIG. 2;  
 FIG. 5 is a fourth side view thereof, with the reel rotated by approximately 90 degrees in an opposite direction relative to FIG. 2;  
 FIG. 6 is a front elevational view thereof; and,  
 FIG. 7 is a rear elevational view thereof.

Broken lines are used to show environmental structure only, and form no part of the claimed invention.

- (56) **References Cited**
- U.S. PATENT DOCUMENTS
- 6,189,823 B1 \* 2/2001 Kobayashi et al. .... 242/312
- D500,835 S \* 1/2005 Iwabuchi ..... D22/141
- FOREIGN PATENT DOCUMENTS
- JP 733238 S 5/1988
- JP 759170 S 3/1989
- JP 821133 S 10/1991

\* cited by examiner

**1 Claim, 6 Drawing Sheets**



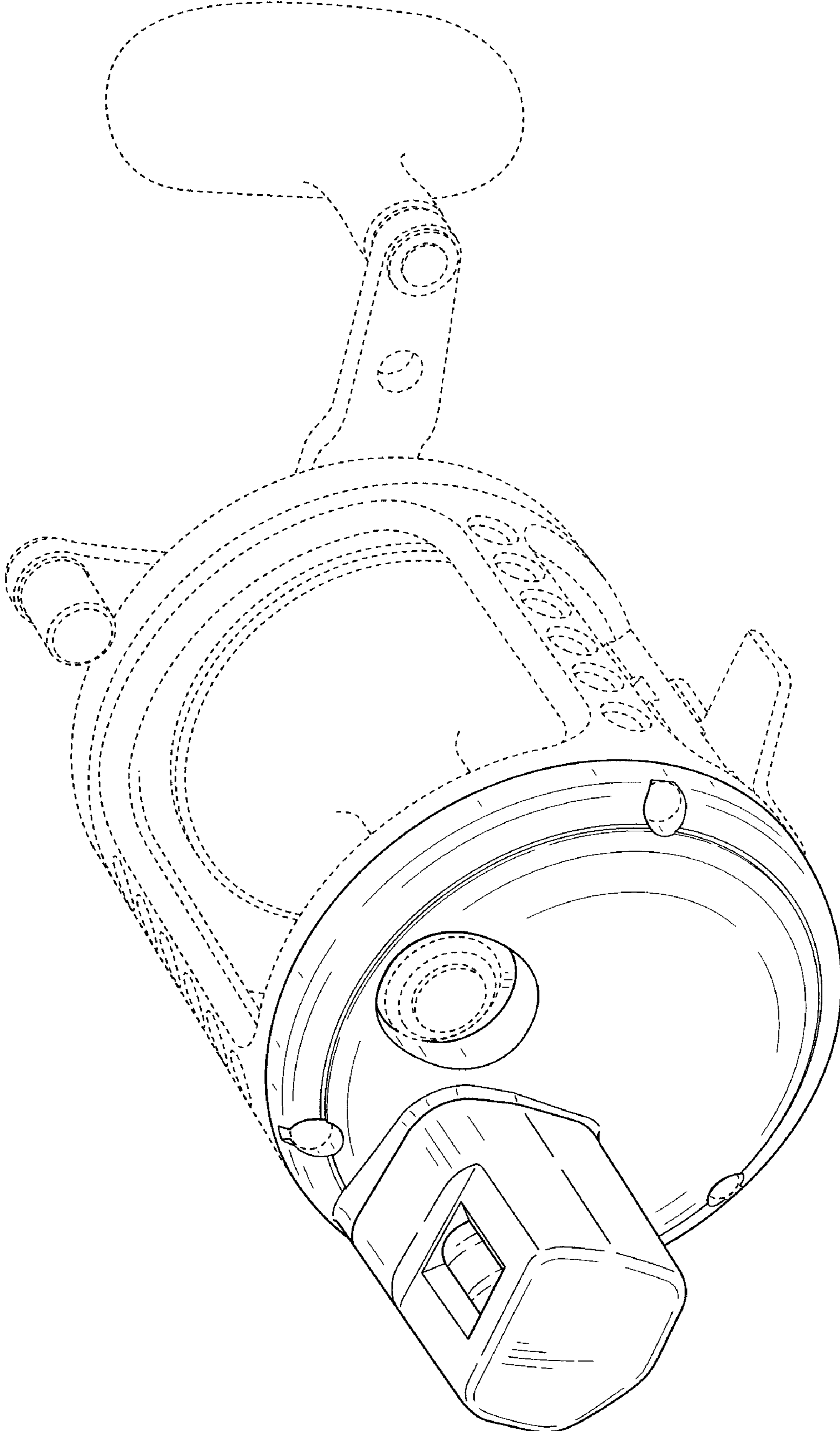


FIG. 1

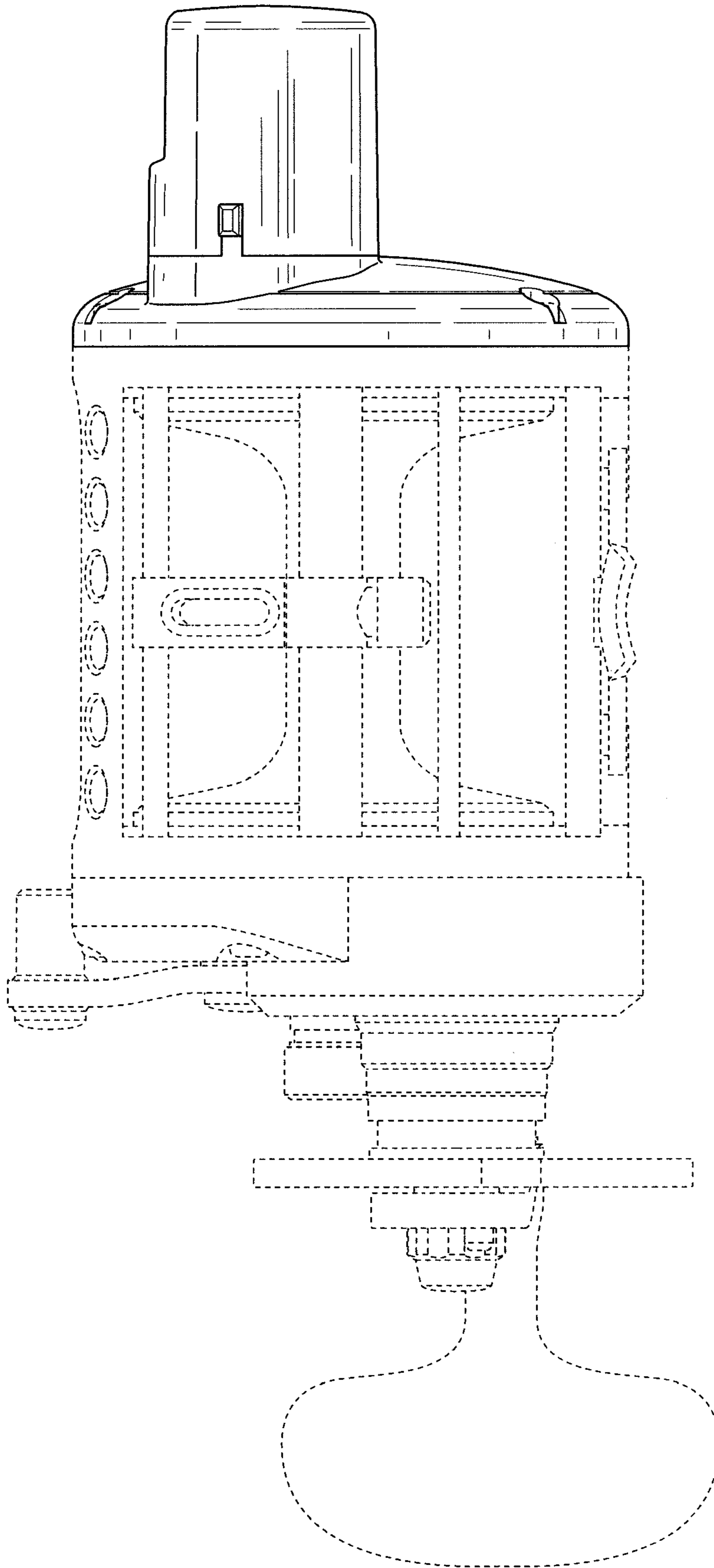


FIG. 2

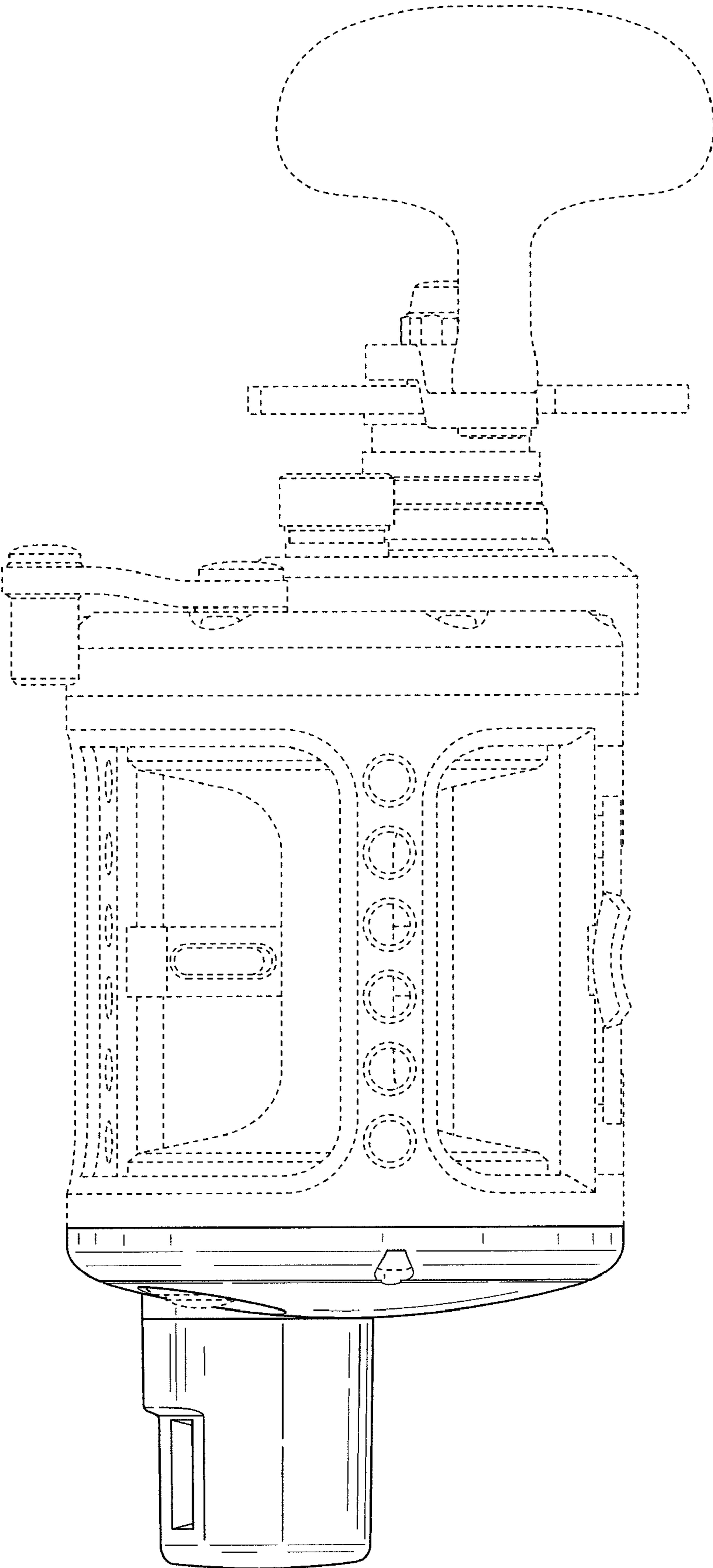


FIG. 3

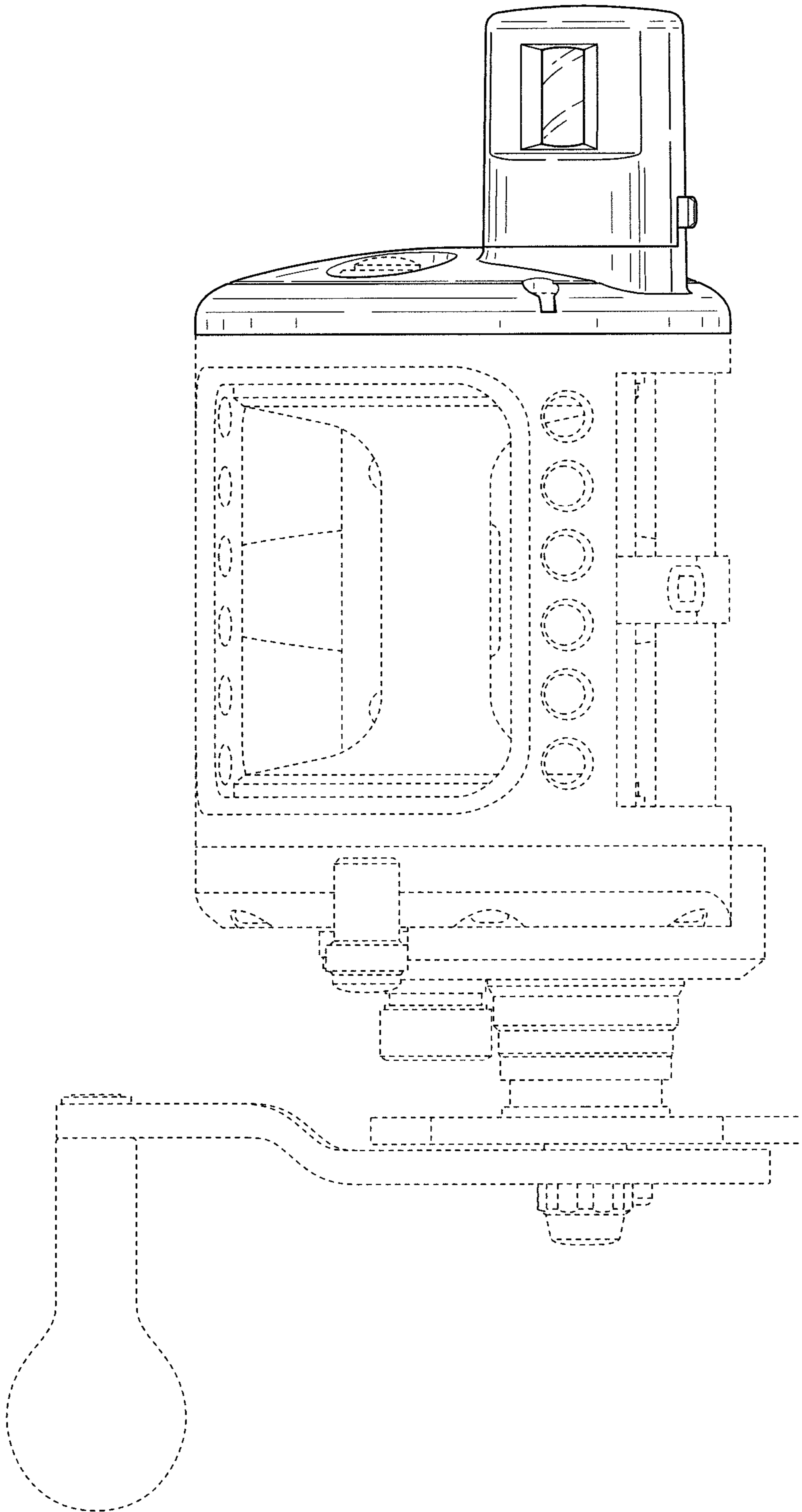


FIG. 4



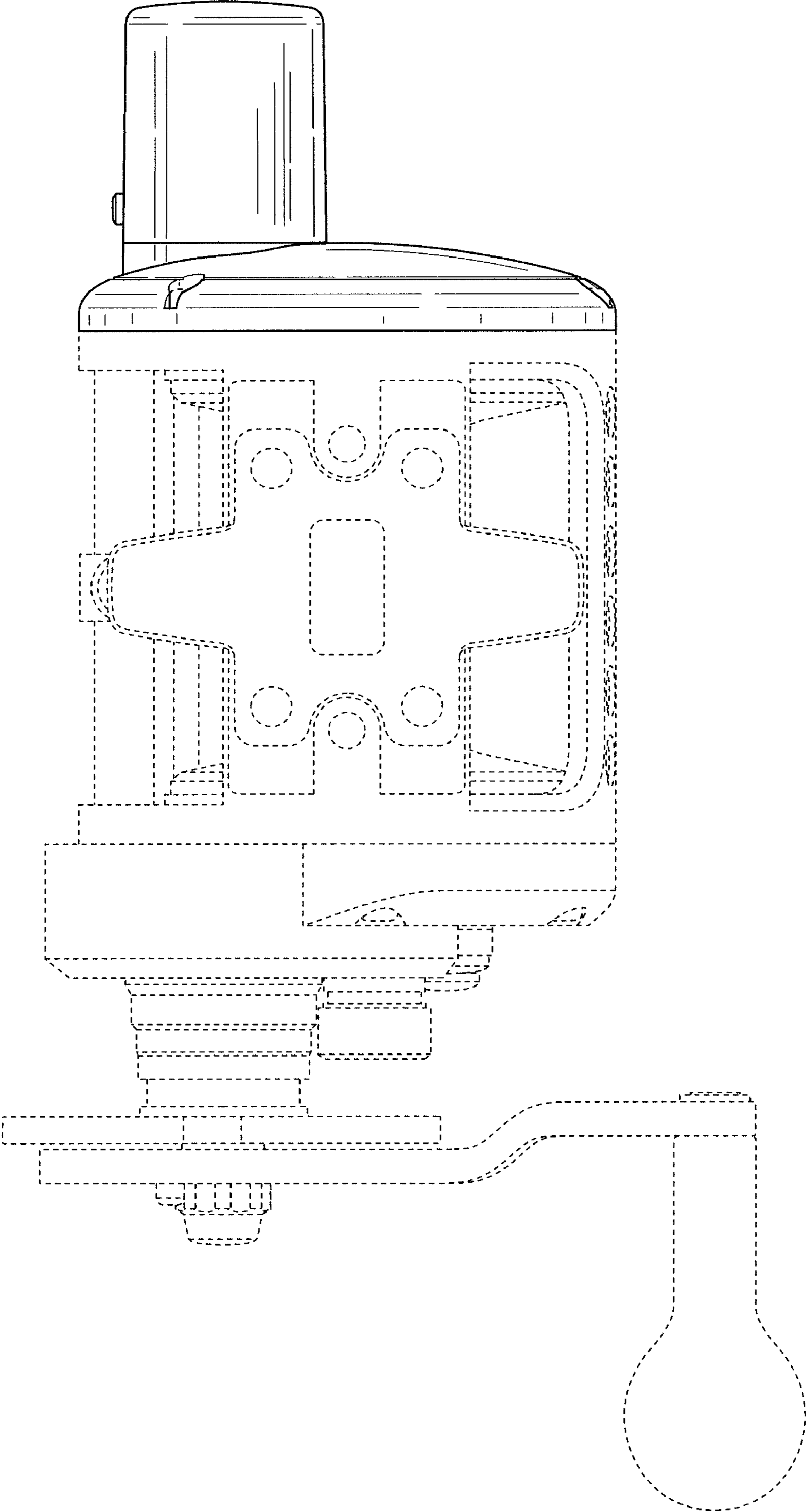
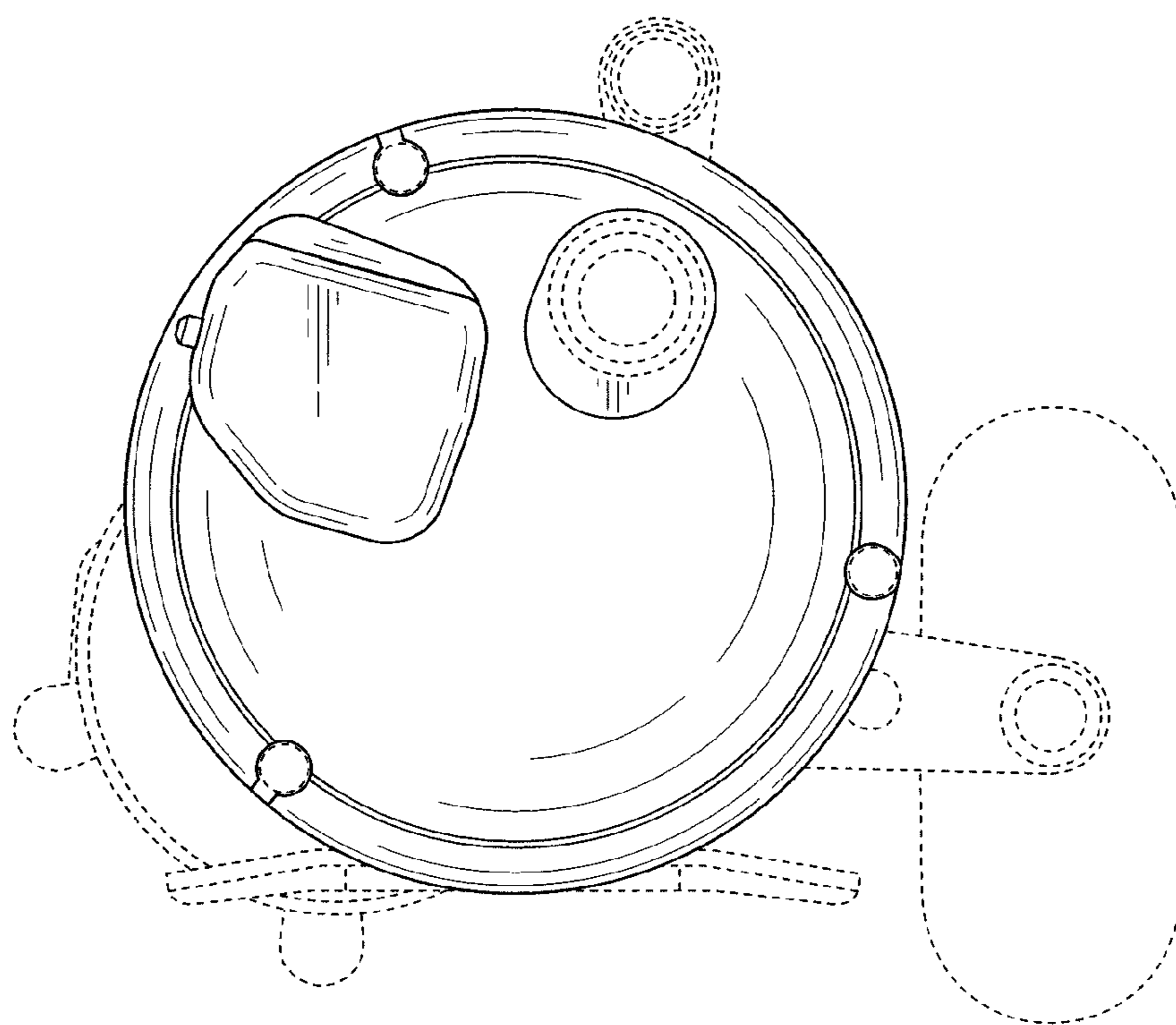
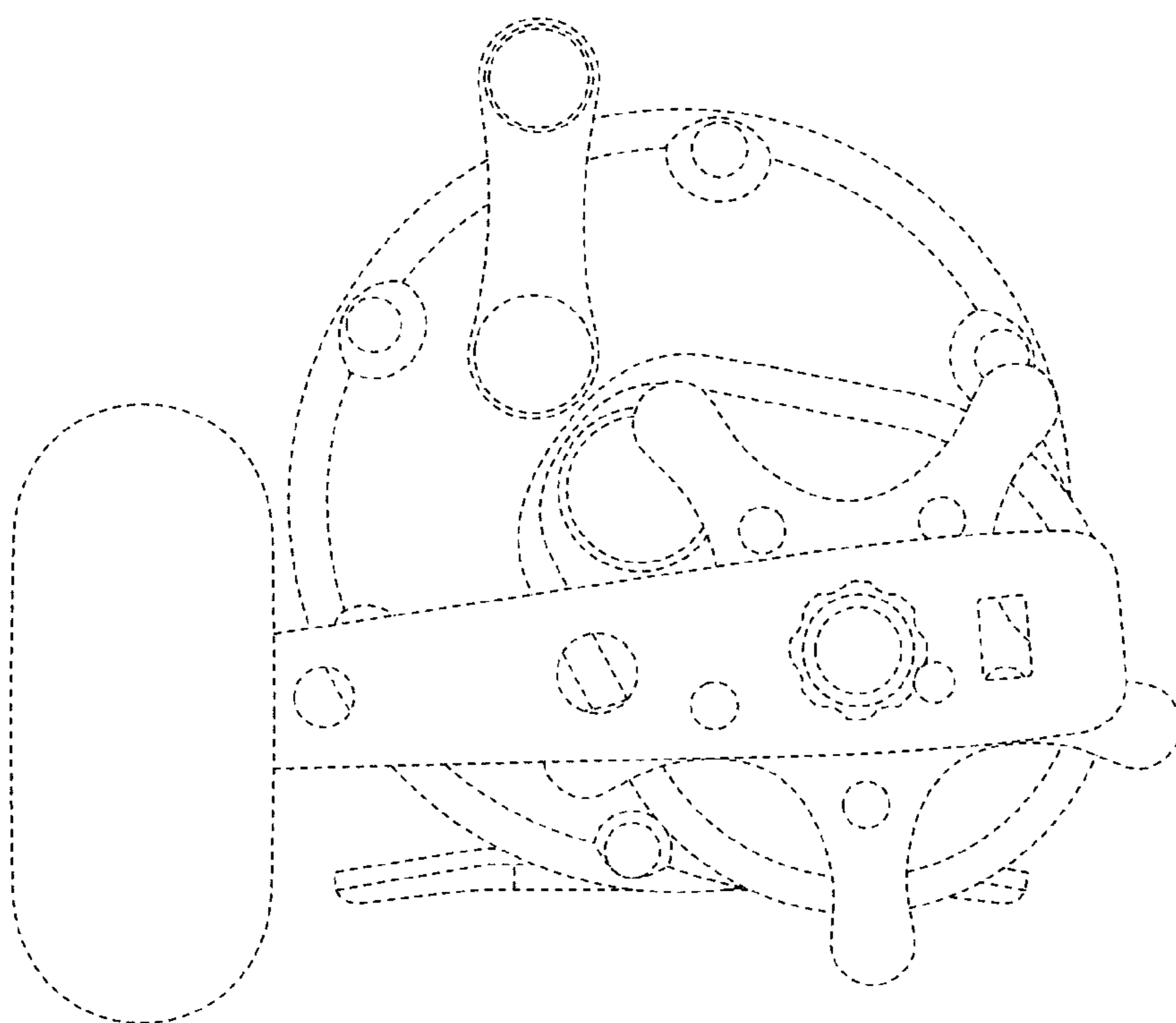


FIG. 5



**FIG. 6**



**FIG. 7**