



US00D611559S

(12) **United States Design Patent**  
**Crider et al.**

(10) **Patent No.:** **US D611,559 S**  
(45) **Date of Patent:** **\*\* Mar. 9, 2010**

(54) **SAFETY FOR MOUSE TRAP**

(76) Inventors: **Jacquelyn R. Crider**, 1325 12th St.,  
Cottage Hills, IL (US) 62018; **Jack B.**  
**Crider, Sr.**, 1325 12th St., Cottage Hills,  
IL (US) 62018

(\*\*) Term: **14 Years**

(21) Appl. No.: **29/345,413**

(22) Filed: **Oct. 15, 2009**

**Related U.S. Application Data**

(63) Continuation of application No. 11/715,190, filed on  
Mar. 7, 2007.

(51) **LOC (9) Cl.** ..... **22-06**

(52) **U.S. Cl.** ..... **D22/119**

(58) **Field of Classification Search** ..... D22/119-124;  
43/60-61, 65-69, 131

See application file for complete search history.

(56) **References Cited**

**U.S. PATENT DOCUMENTS**

4,360,986 A \* 11/1982 Dushey ..... 43/82

D267,966 S \* 2/1983 Dushey ..... D22/119  
D275,511 S \* 9/1984 Nagel ..... D22/119  
D519,596 S \* 4/2006 Andrew et al. .... D22/119  
D532,478 S \* 11/2006 Wiesener et al. .... D22/119

\* cited by examiner

*Primary Examiner*—Catherine R Oliver

(74) *Attorney, Agent, or Firm*—Dale J. Ream

(57) **CLAIM**

The ornamental design for a safety for mouse trap, as shown  
and described.

**DESCRIPTION**

FIG. 1 is a perspective view of a safety for mouse trap show-  
ing our new design;

FIG. 2 is a front view thereof;

FIG. 3 is a rear view thereof;

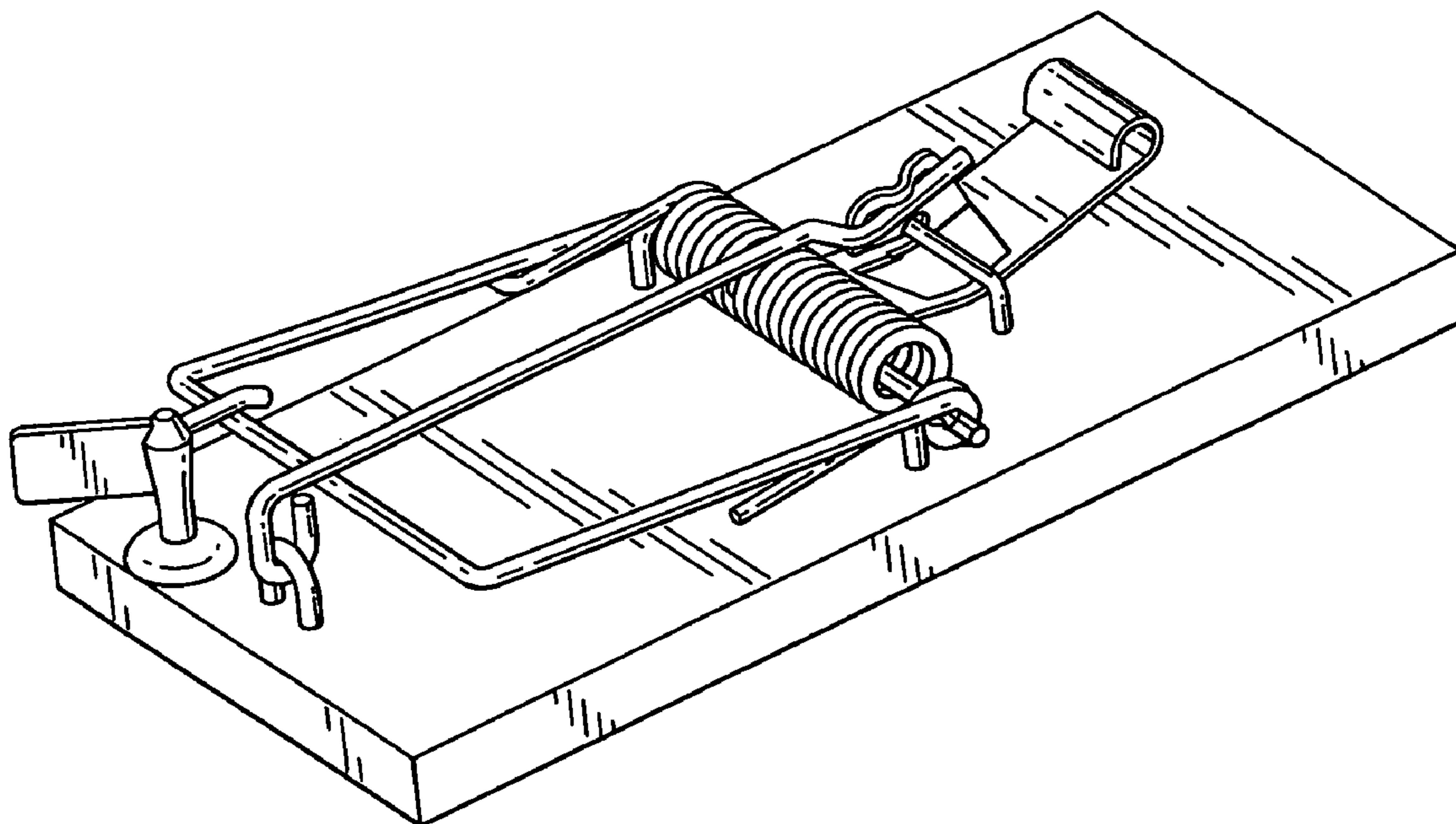
FIG. 4 is a right side view thereof;

FIG. 5 is a left side view thereof;

FIG. 6 is a top view thereof; and,

FIG. 7 is a bottom view thereof.

**1 Claim, 4 Drawing Sheets**



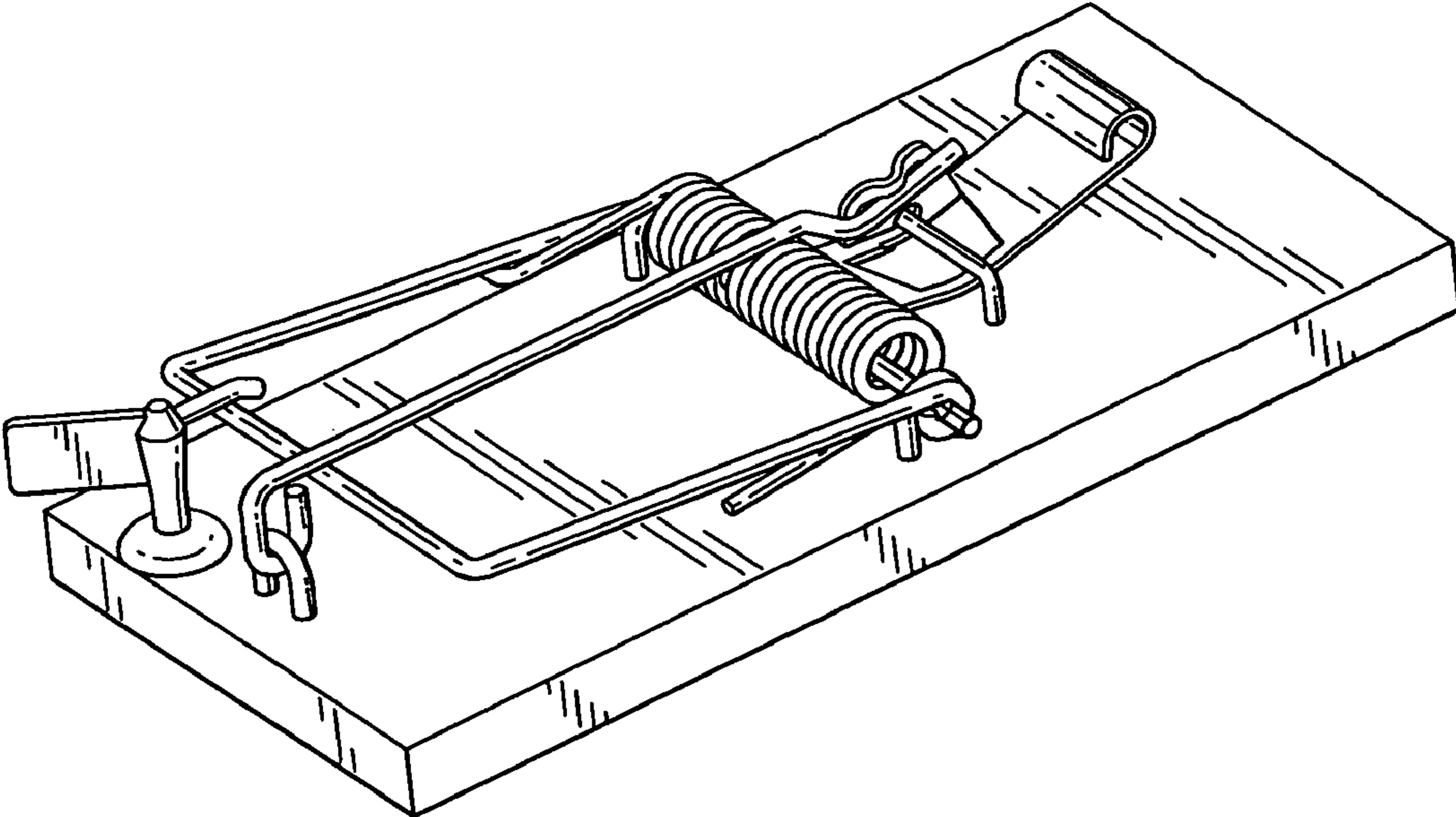


FIG. 1

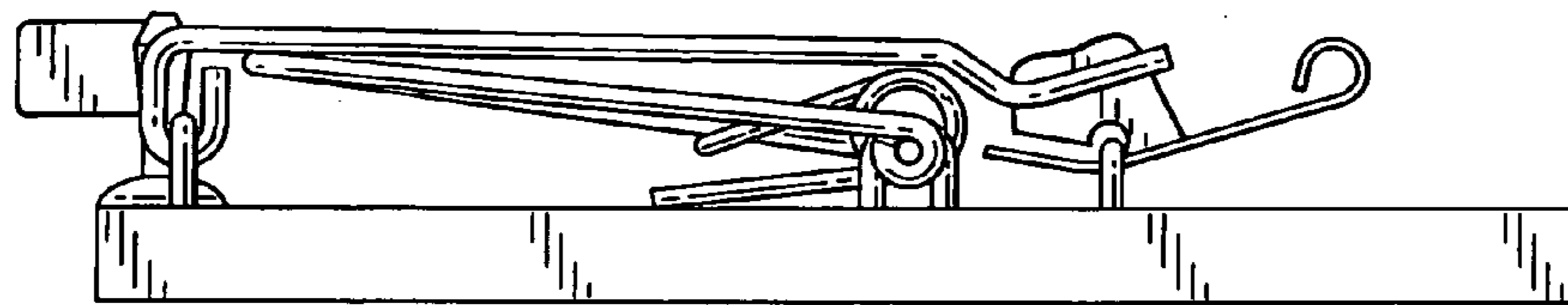


FIG. 2

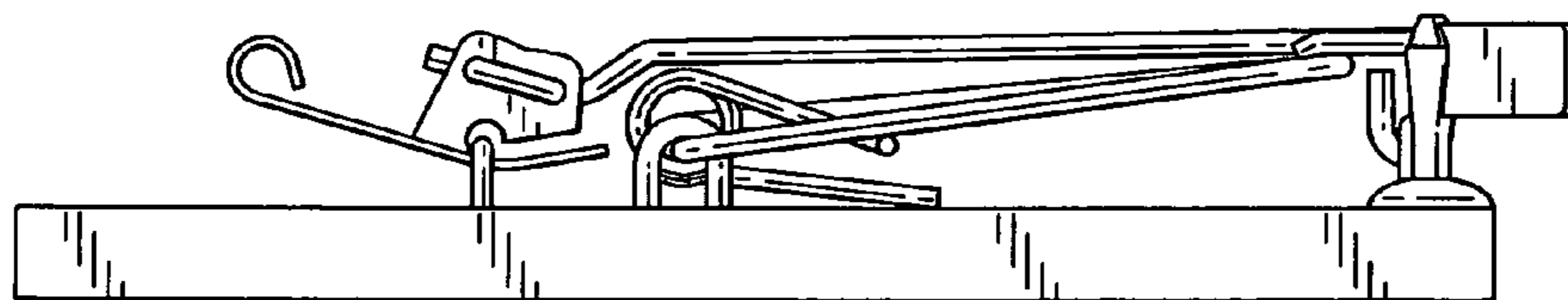


FIG. 3

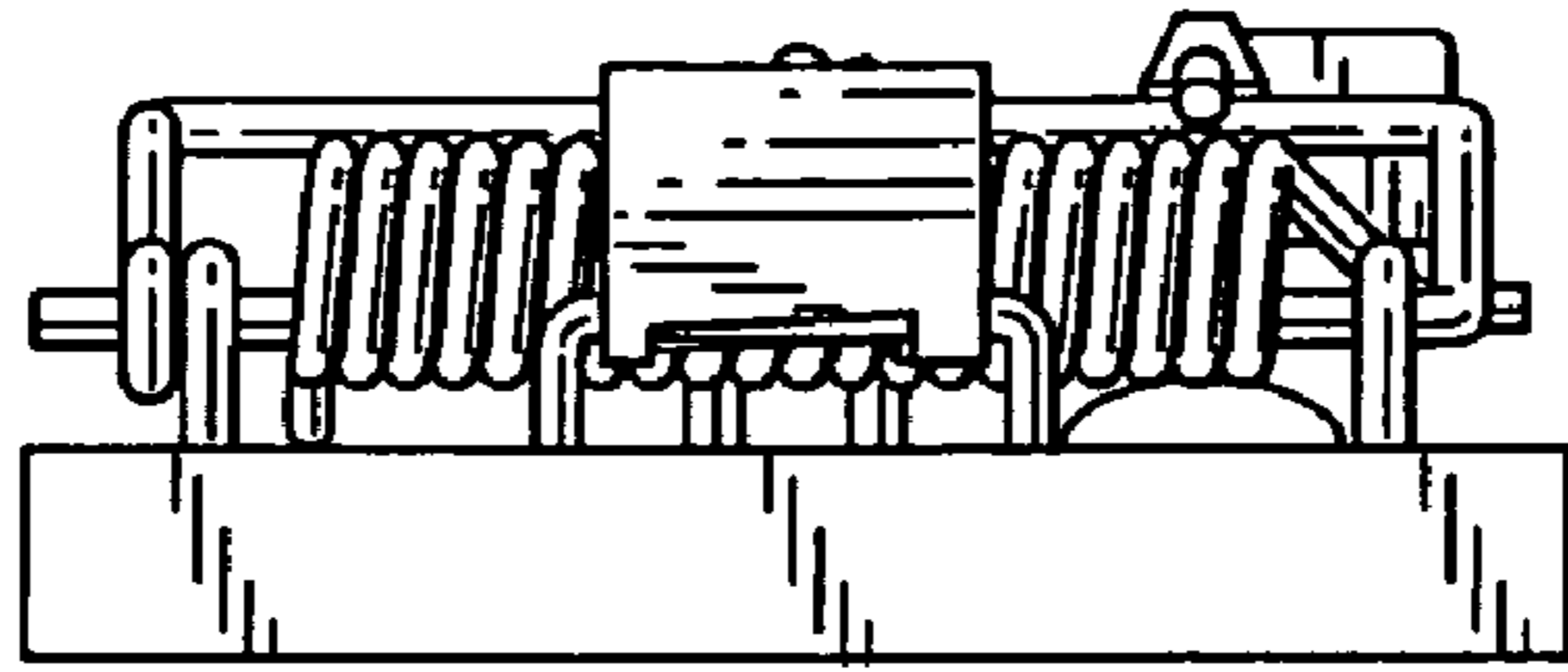


FIG. 4

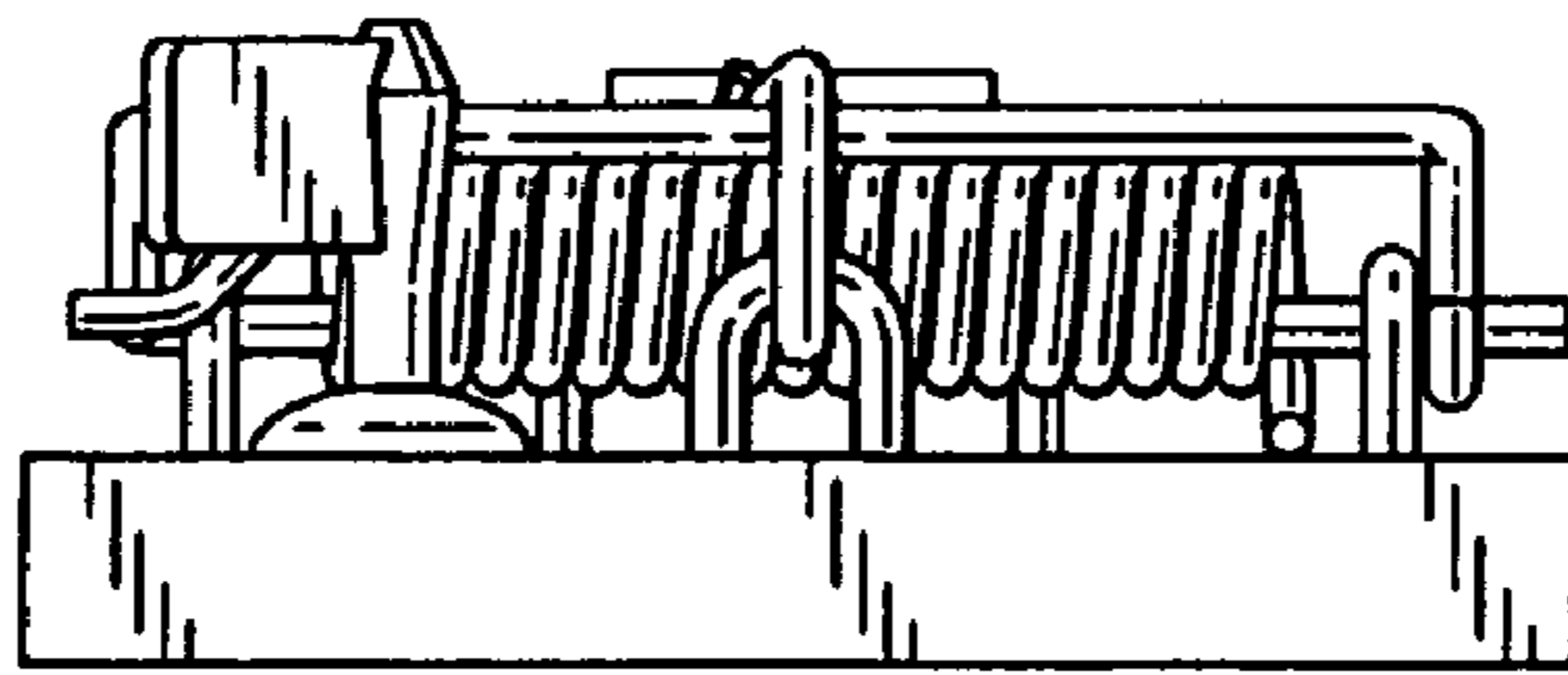


FIG. 5

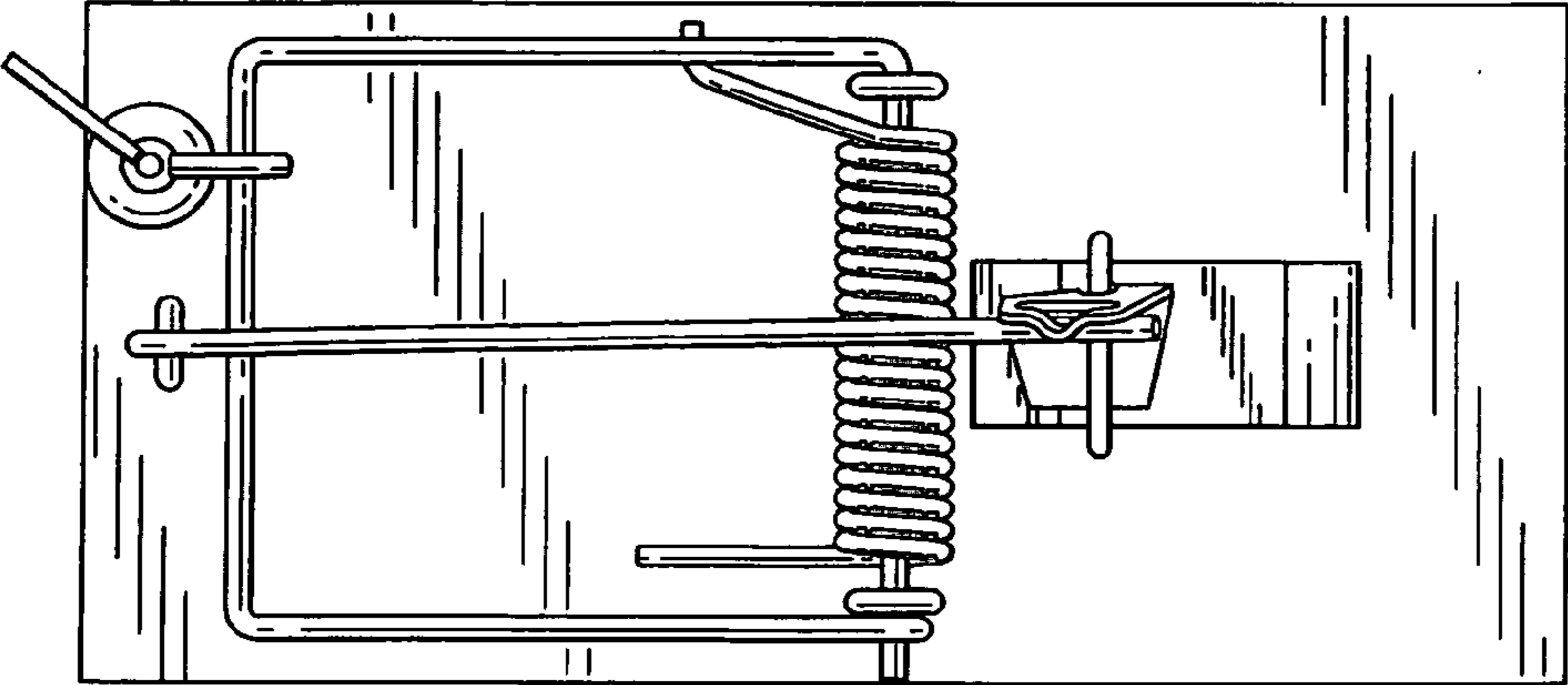


FIG. 6

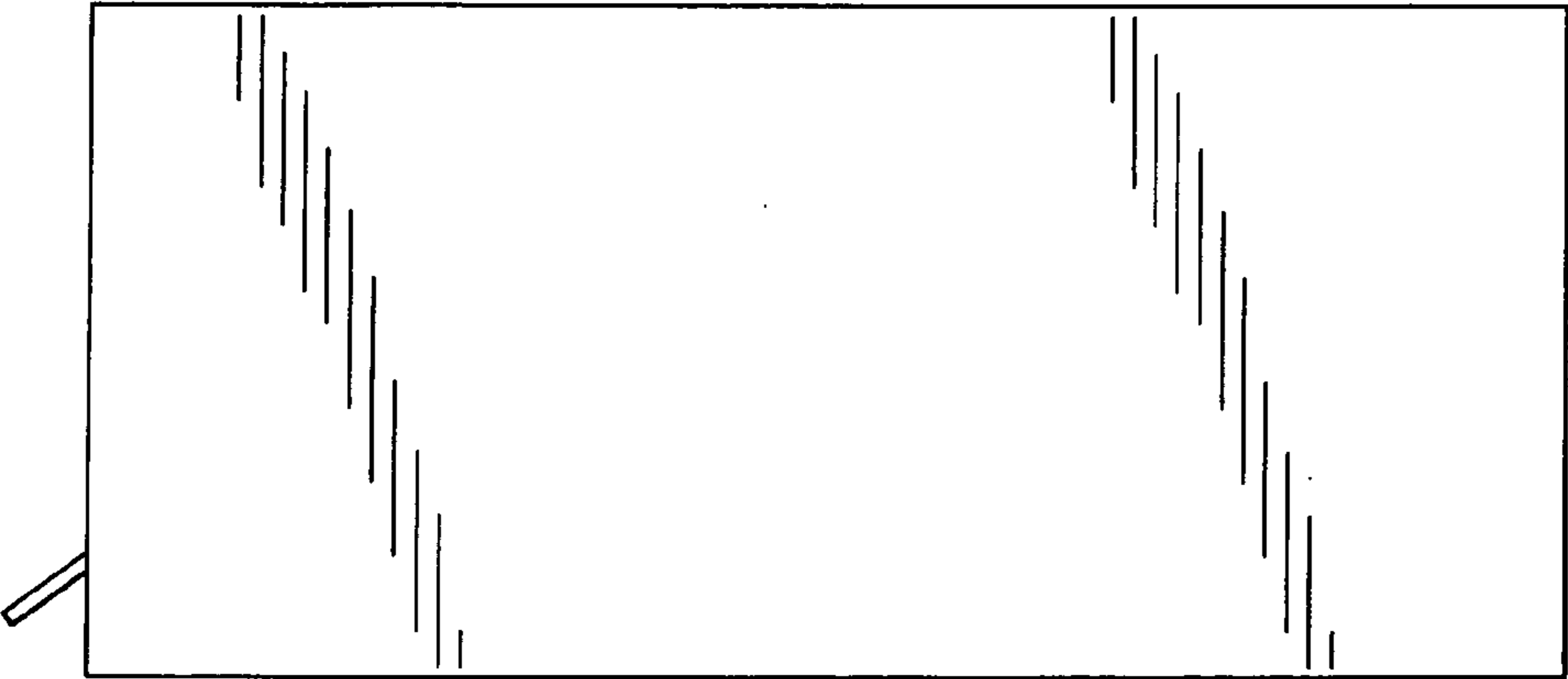


FIG. 7